



US00D573049S

(12) **United States Design Patent**  
**Chen et al.**

(10) **Patent No.:** **US D573,049 S**  
(45) **Date of Patent:** **\*\* \*Jul. 15, 2008**

(54) **TESTING DEVICE FOR ELECTRONIC COMPONENT**

(75) Inventors: **Chin-Feng Chen**, Taipei Hsien (TW);  
**Chiou-Lin Fan**, Taipei Hsien (TW);  
**Ying-Chih Huang**, Taipei Hsien (TW);  
**Tay-Yang Lin**, Taipei Hsien (TW)

(73) Assignee: **Hon Hai Precision Industry Co., Ltd.**,  
Tu-Cheng, Taipei Hsien (TW)

(\*) Notice: This patent is subject to a terminal disclaimer.

(\*\*) Term: **14 Years**

(21) Appl. No.: **29/275,496**

(22) Filed: **Dec. 28, 2006**

(30) **Foreign Application Priority Data**

Nov. 3, 2006 (CN) ..... 2006 3 0154297

(51) **LOC (8) Cl.** ..... **10-04**

(52) **U.S. Cl.** ..... **D10/75**

(58) **Field of Classification Search** ..... D10/46,  
D10/75-77; 73/7; 324/158.1, 210, 212;  
360/106, 31; 369/223

See application file for complete search history.

(56) **References Cited**

**U.S. PATENT DOCUMENTS**

D271,136 S \* 10/1983 Bollinger et al. .... D10/75

D335,822 S \* 5/1993 Yamamuro et al. .... D10/75  
D339,586 S \* 9/1993 Ito et al. .... D10/46  
D362,845 S \* 10/1995 Ito et al. .... D10/75  
D365,291 S \* 12/1995 Chitty ..... D10/75  
D383,405 S \* 9/1997 Horn et al. .... D10/76  
2008/0049351 A1 \* 2/2008 Yamanaka et al. .... 324/210

\* cited by examiner

*Primary Examiner*—Antoine D Davis  
(74) *Attorney, Agent, or Firm*—Wei Te Chung

(57) **CLAIM**

The ornamental design for a testing device for electronic component, substantially as shown and described.

**DESCRIPTION**

FIG. 1 is a perspective view of a testing device for electronic component in accordance with the present design;

FIG. 2 is a front elevational view thereof;

FIG. 3 is a rear elevational view thereof;

FIG. 4 is a left side elevational view thereof;

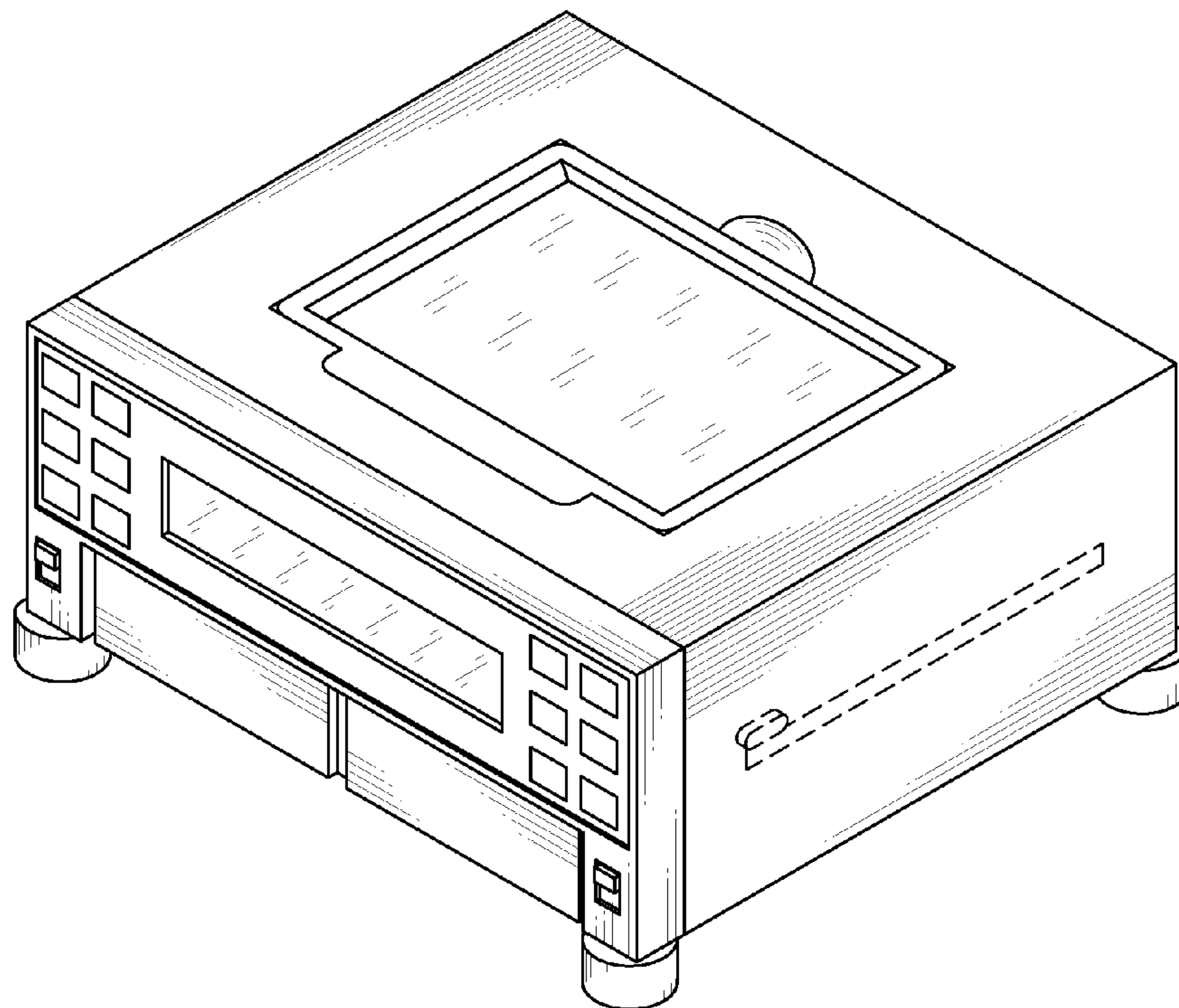
FIG. 5 is a right side elevational view thereof;

FIG. 6 is a top plan view thereof; and,

FIG. 7 is a perspective view thereof, with a display screen in an open position and a drawer being drawn out.

(Broken line portions are only included to show the intended use environment and do not constitute a part of the claimed design.)

**1 Claim, 7 Drawing Sheets**



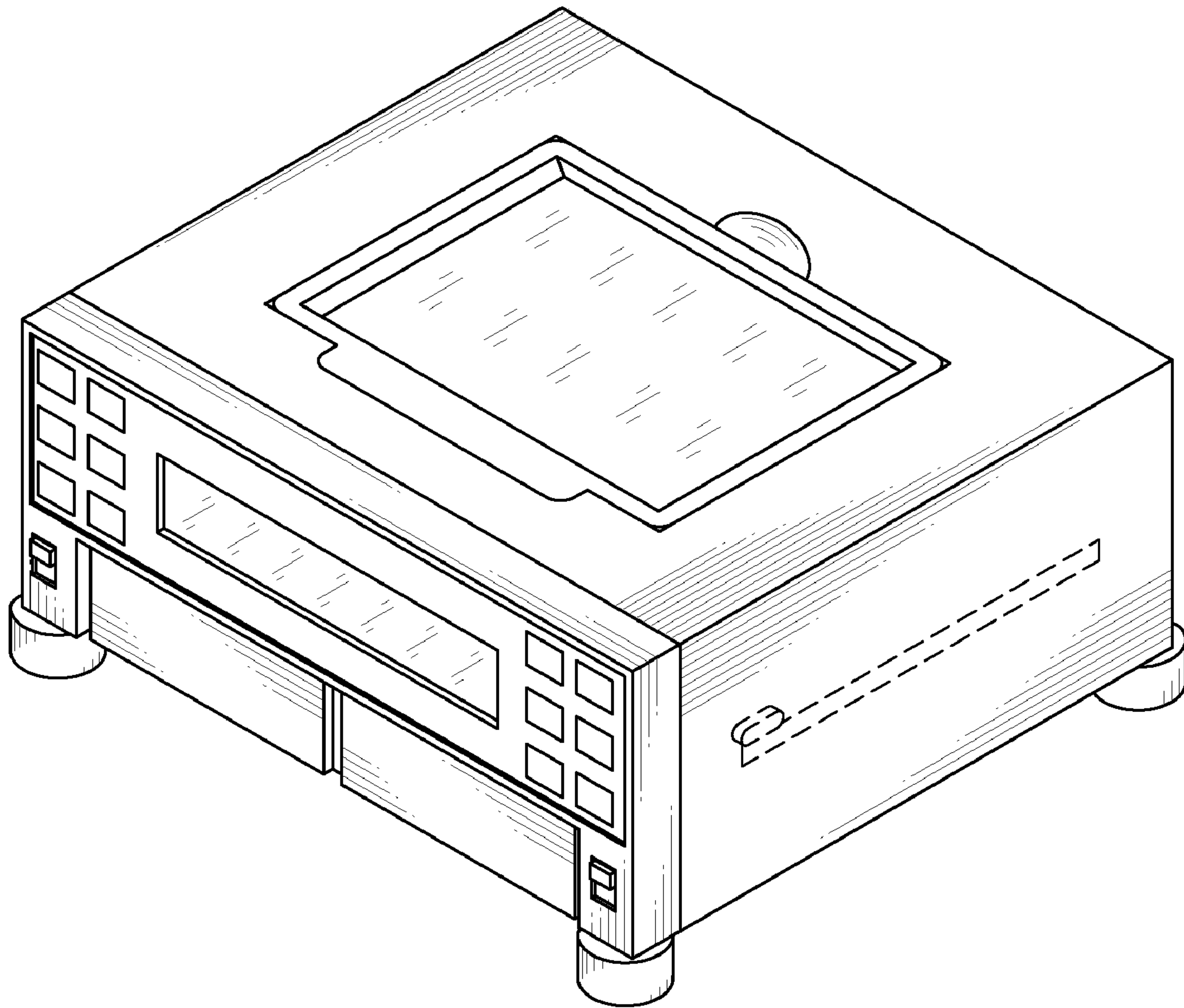


FIG. 1

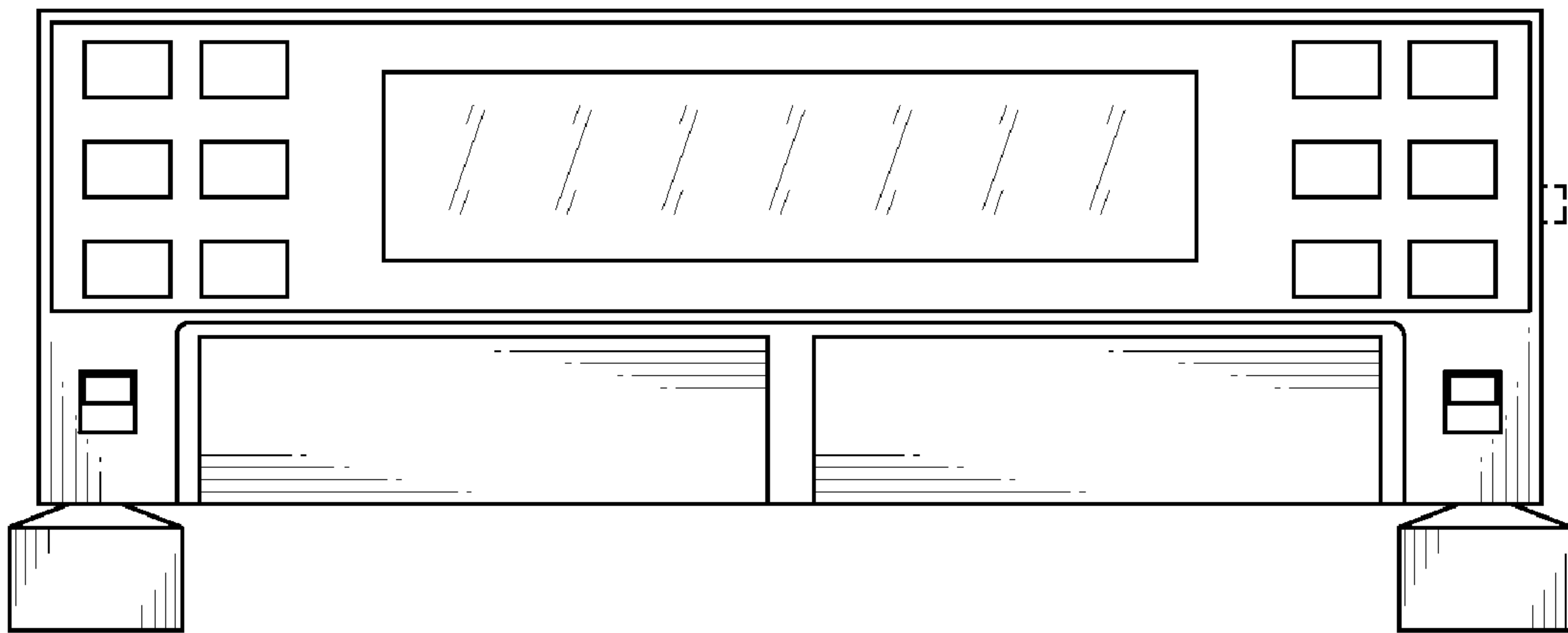


FIG. 2

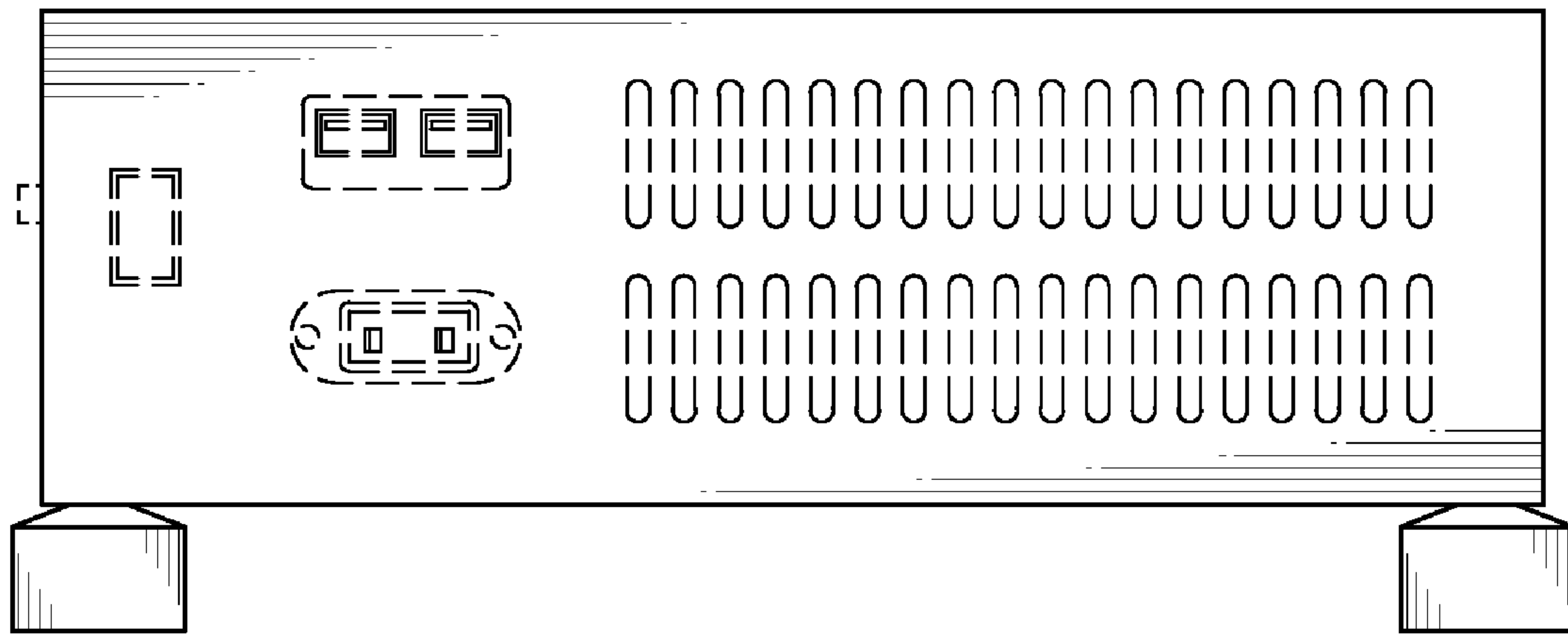


FIG. 3

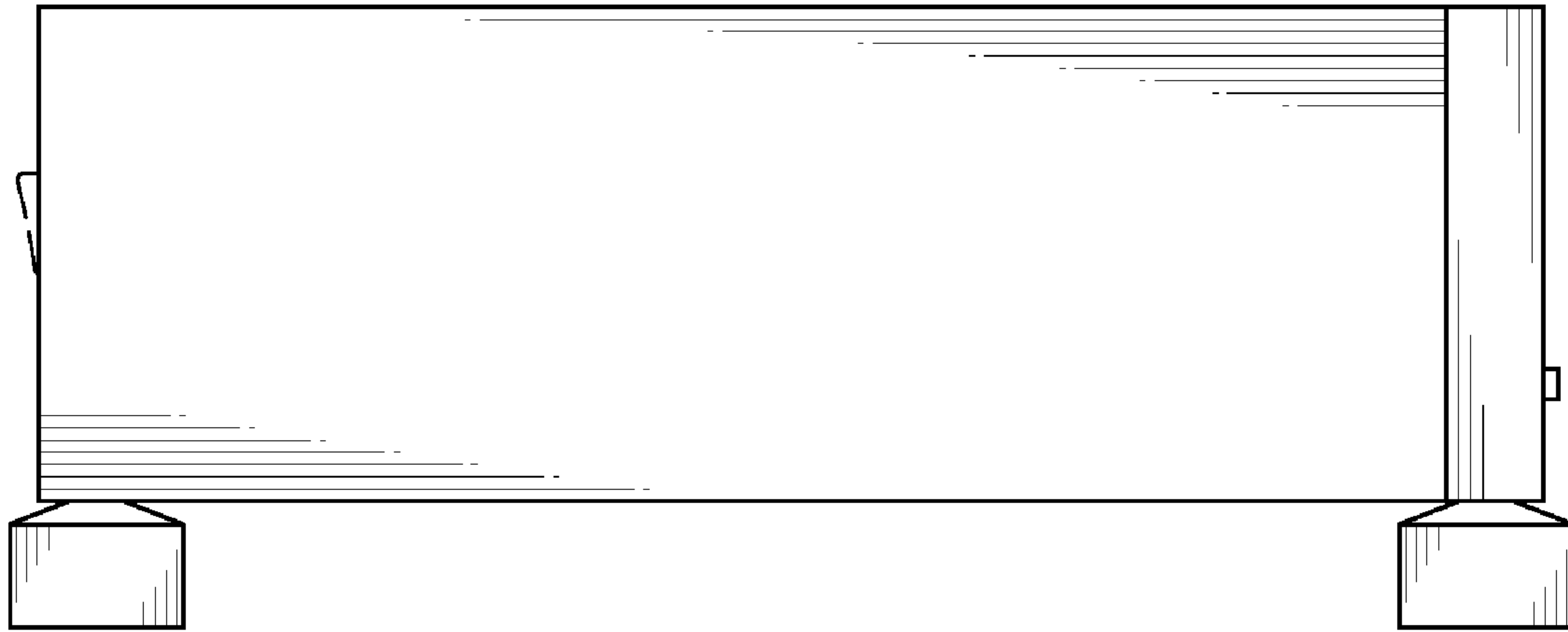


FIG. 4

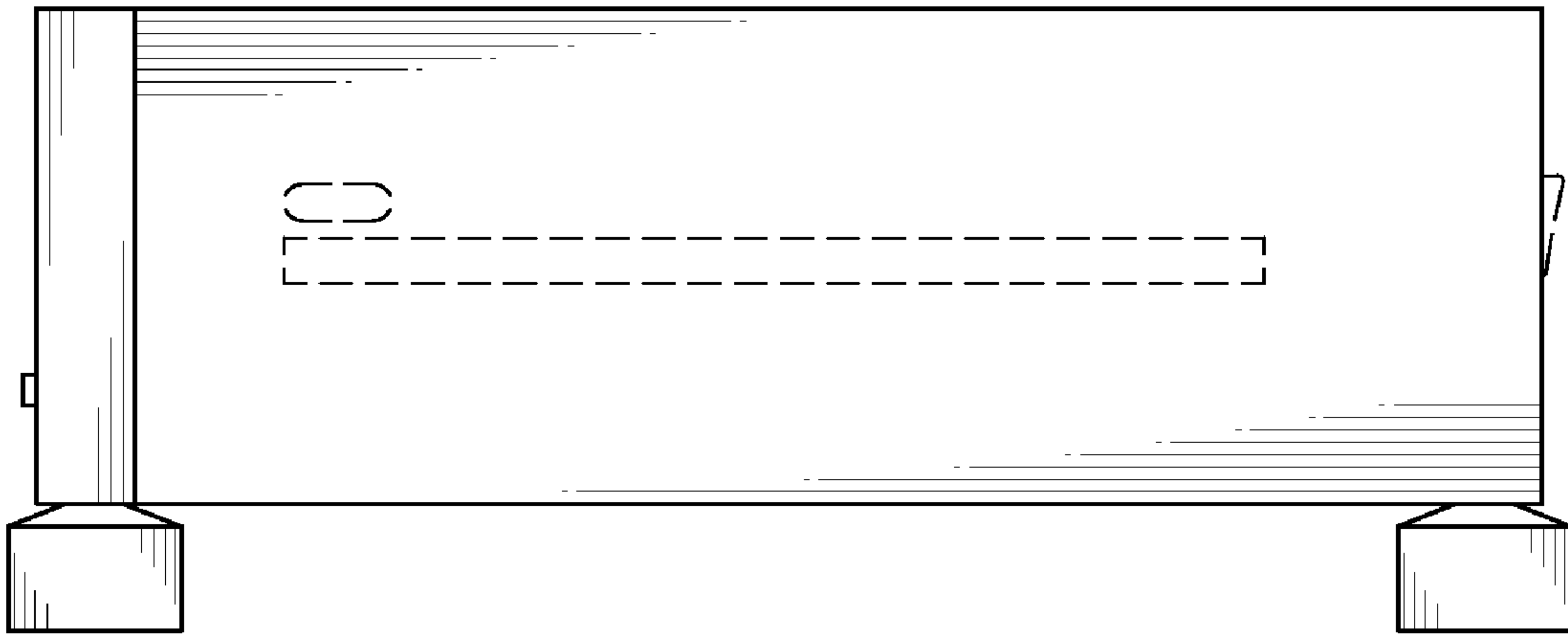


FIG. 5

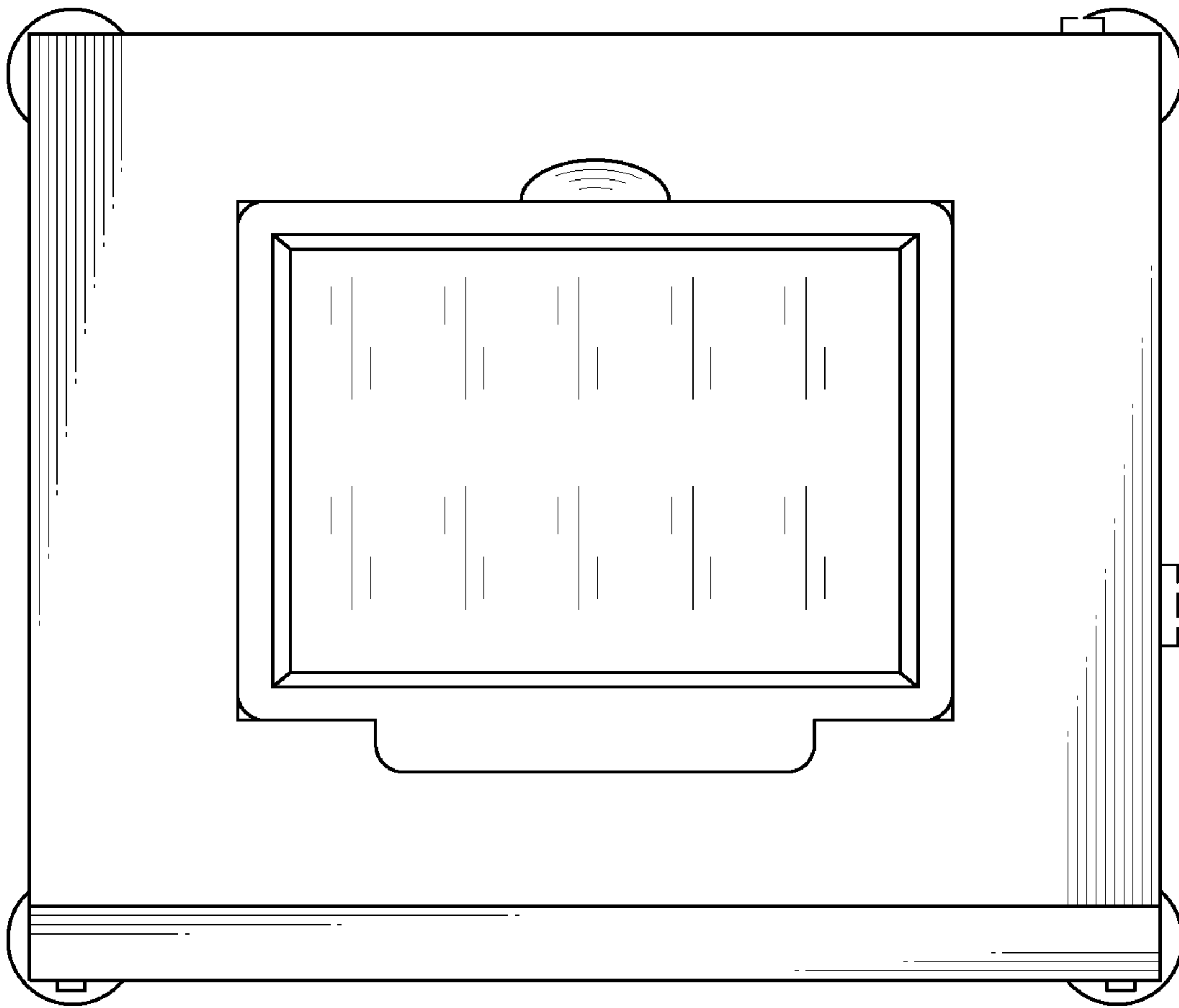


FIG. 6



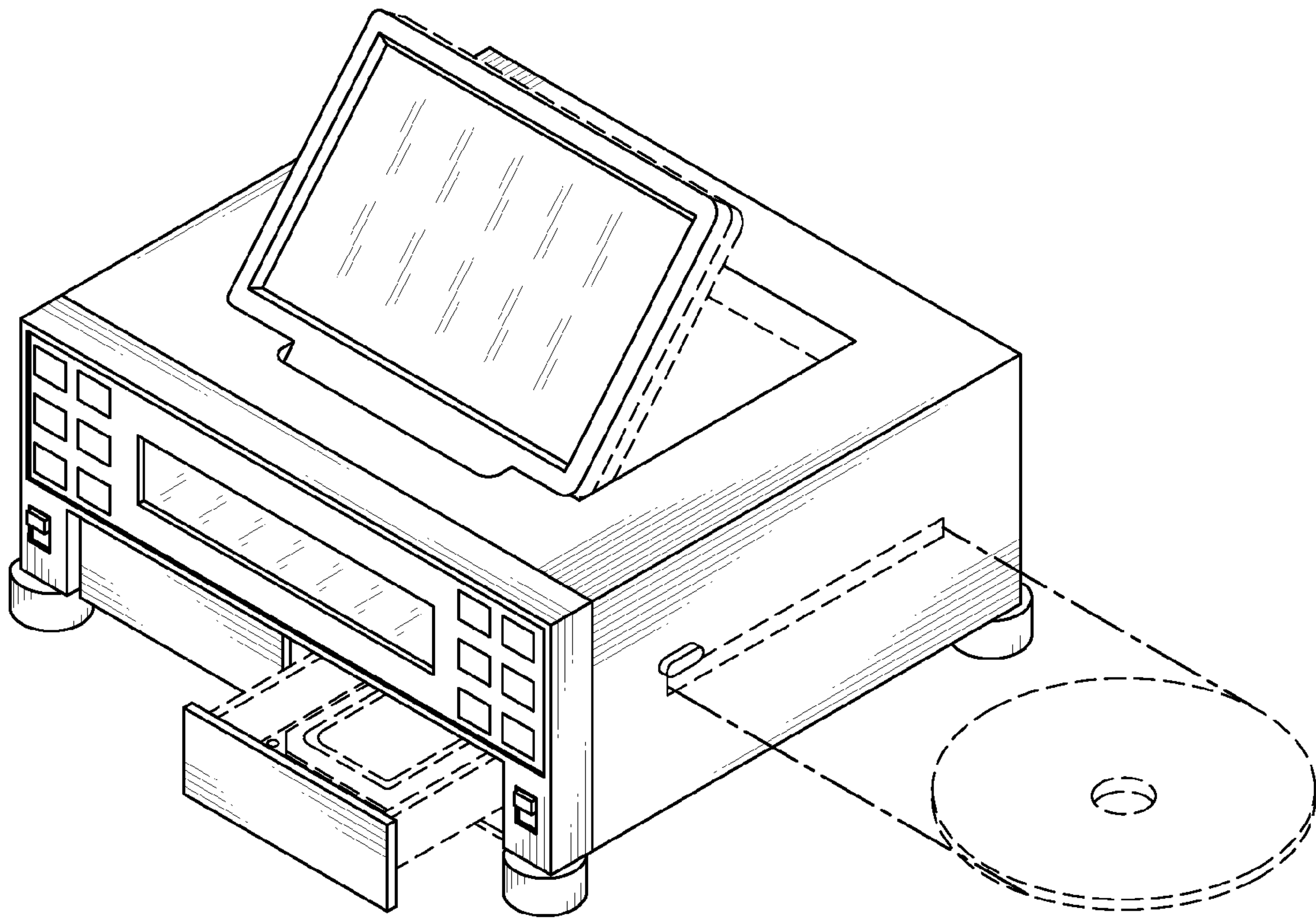


FIG. 7