



US00D573046S

(12) **United States Design Patent**
Levinson

(10) **Patent No.:** **US D573,046 S**
(45) **Date of Patent:** **** Jul. 15, 2008**

(54) **CHALK LINE DISPENSER WITH THUMB OPERATED LOCKING MEMBER**

(75) Inventor: **Amy Levinson**, Upper Galilee 1 (IL)

(73) Assignee: **Kapro Industries, Ltd**, Kadarim (IL)

(**) Term: **14 Years**

(21) Appl. No.: **29/290,546**

(22) Filed: **Dec. 14, 2007**

(51) **LOC (8) Cl.** **10-04**

(52) **U.S. Cl.** **D10/70; D10/66; D10/69**

(58) **Field of Classification Search** D10/66,
D10/69, 70; 33/313, 314, 276, 277, 281,
33/285, 286, 290, 291-299, DIG. 21; 242/381.3,
242/385.4; 264/1.24-1.25; 340/539, 825.36,
340/825.46, 825.49, 357.02; 356/138, 5.15,
356/4.01, 5.01, 4.05, 5.05-5.09, 5.12, 28.5,
356/345, 375, 3.01, 128-155, 399-400; 359/629,
359/633; 385/83, 97-99, 134-139; 701/211-213,
701/150, 158

See application file for complete search history.

(56) **References Cited**

U.S. PATENT DOCUMENTS

D334,717 S	4/1993	Evans et al.	D10/65
5,212,875 A	5/1993	Corso	33/414
5,465,494 A	11/1995	Johnston	33/414
5,493,787 A	2/1996	Owens	33/414
5,509,616 A	4/1996	Millen	33/414
5,644,852 A	7/1997	Fuller	33/414
5,683,055 A	11/1997	Dufour	242/394
5,920,997 A	7/1999	Girtman	33/414
D429,471 S	8/2000	Beyers	D10/65
6,098,299 A	8/2000	Collins	33/414
6,167,632 B1	1/2001	Shor	33/414
6,213,421 B1 *	4/2001	Franklin	242/384.7
D445,045 S	7/2001	Olson	D10/72
6,289,597 B1	9/2001	Beyers	33/414
6,345,448 B1	2/2002	Chontos	33/339

D477,785 S	7/2003	Szumer	D10/65
D477,786 S	7/2003	Szumer	D10/65
6,745,485 B2	6/2004	Shor	33/414
6,915,587 B1	7/2005	Scillia et al.	33/414
6,931,742 B1	8/2005	VanWinkle	33/414
6,957,495 B1	10/2005	Schmillen	33/414
7,311,134 B2 *	12/2007	Cheng	242/381.3

OTHER PUBLICATIONS

U.S. Appl. No. 29/274,576, filed May 4, 2007, Levinson et al.

* cited by examiner

Primary Examiner—Antoine D Davis

(74) *Attorney, Agent, or Firm*—Harold L. Novick; The Nath Law Group

(57) **CLAIM**

The ornamental design for a chalk line dispenser with thumb operated locking member, substantially as shown and described.

DESCRIPTION

FIG. 1 is a front perspective view of a chalk line dispenser with thumb operated locking member;

FIG. 2 is a rear perspective view of the chalk line dispenser with thumb operated locking member of FIG. 1;

FIG. 3 is a front elevation view of the chalk line dispenser with thumb operated locking member of FIG. 1;

FIG. 4 is a rear elevation view of the chalk line dispenser with thumb operated locking member of FIG. 1;

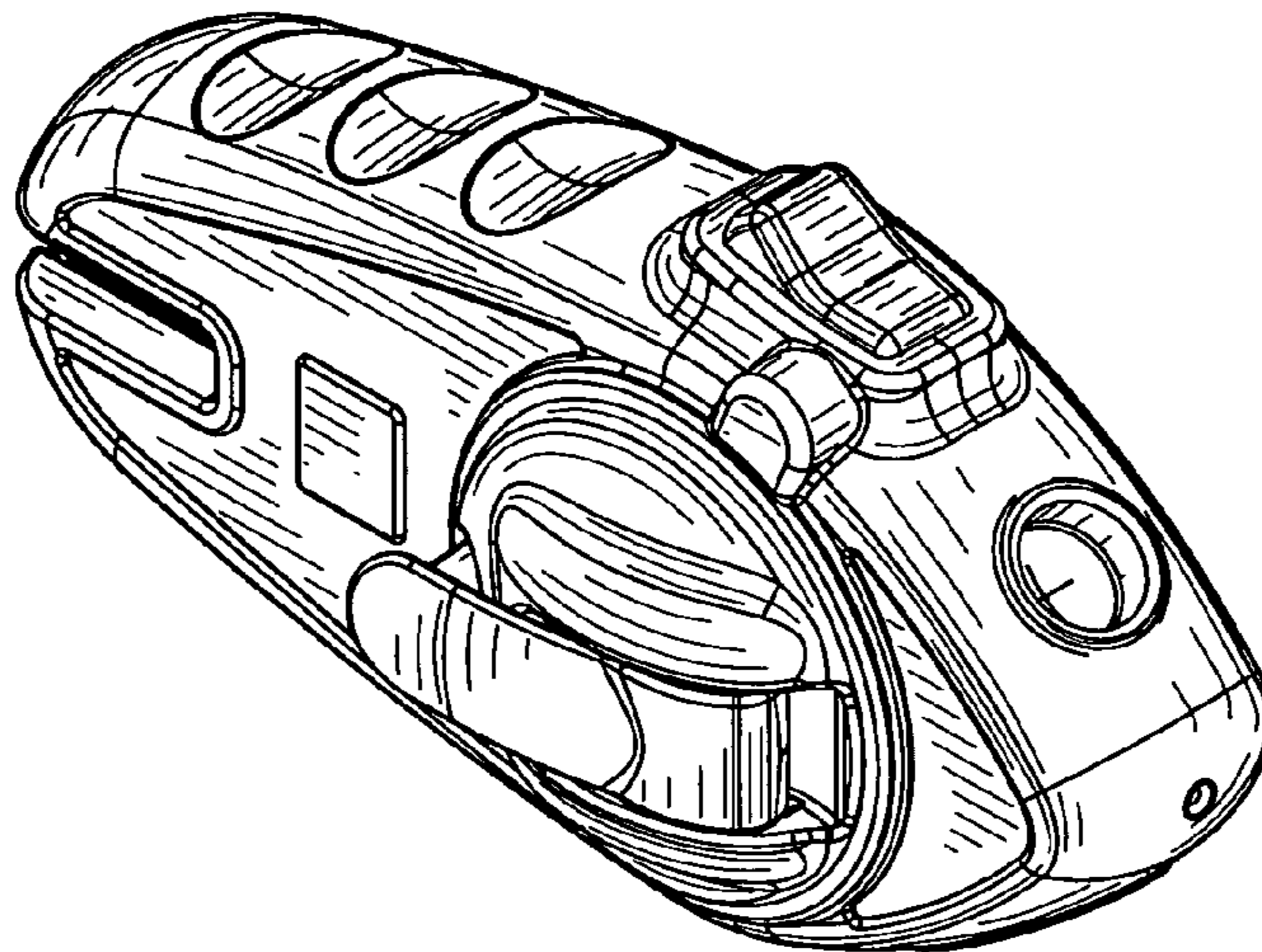
FIG. 5 is a right side elevation view of the chalk line dispenser with thumb operated locking member of FIG. 1;

FIG. 6 is a left side elevation view of the chalk line dispenser with thumb operated locking member of FIG. 1;

FIG. 7 is a top elevation view of the chalk line dispenser with thumb operated locking member of FIG. 1; and,

FIG. 8 is a bottom elevation view of the chalk line dispenser with thumb operated locking member of FIG. 1.

1 Claim, 4 Drawing Sheets



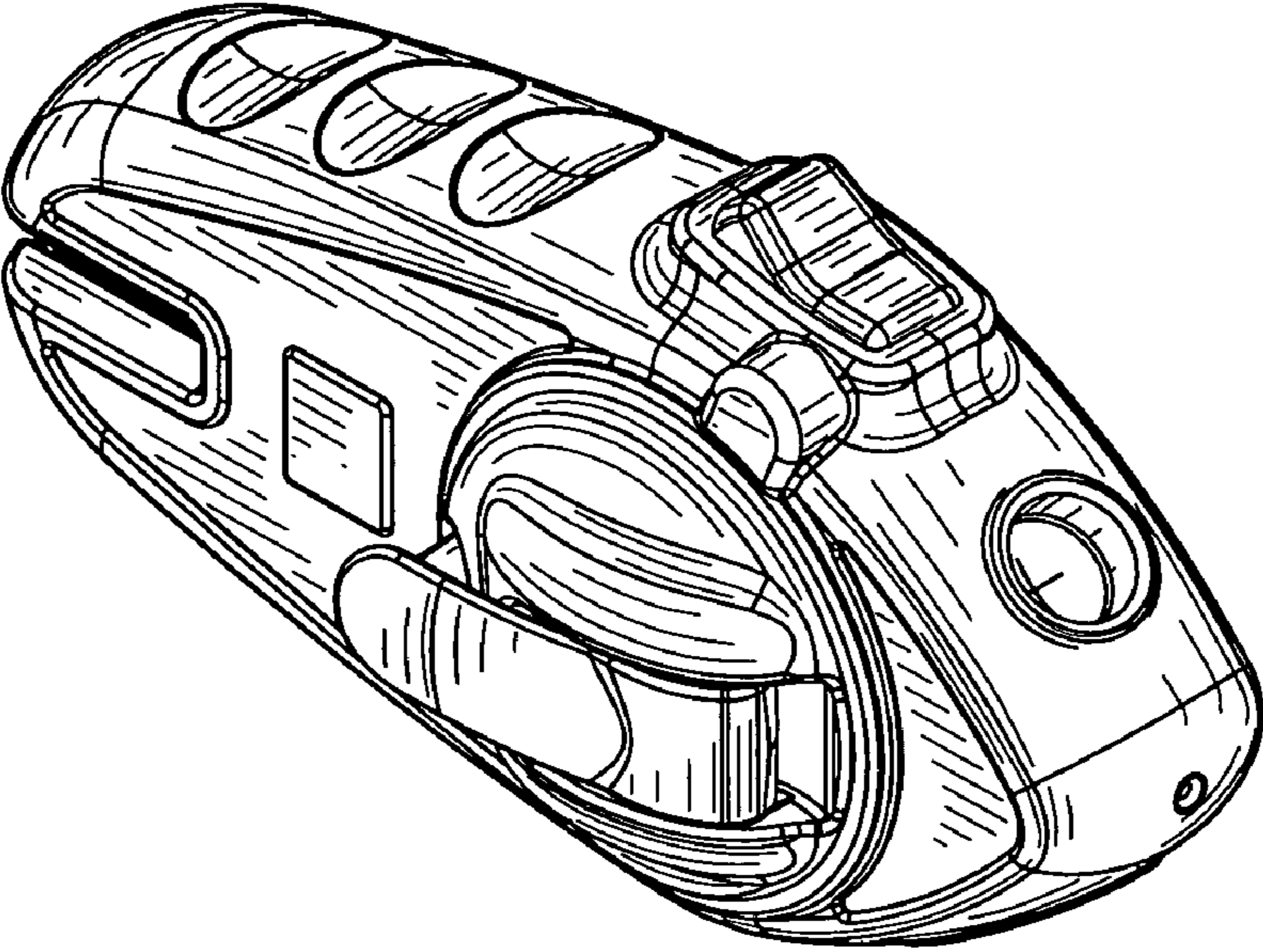


FIG. 1

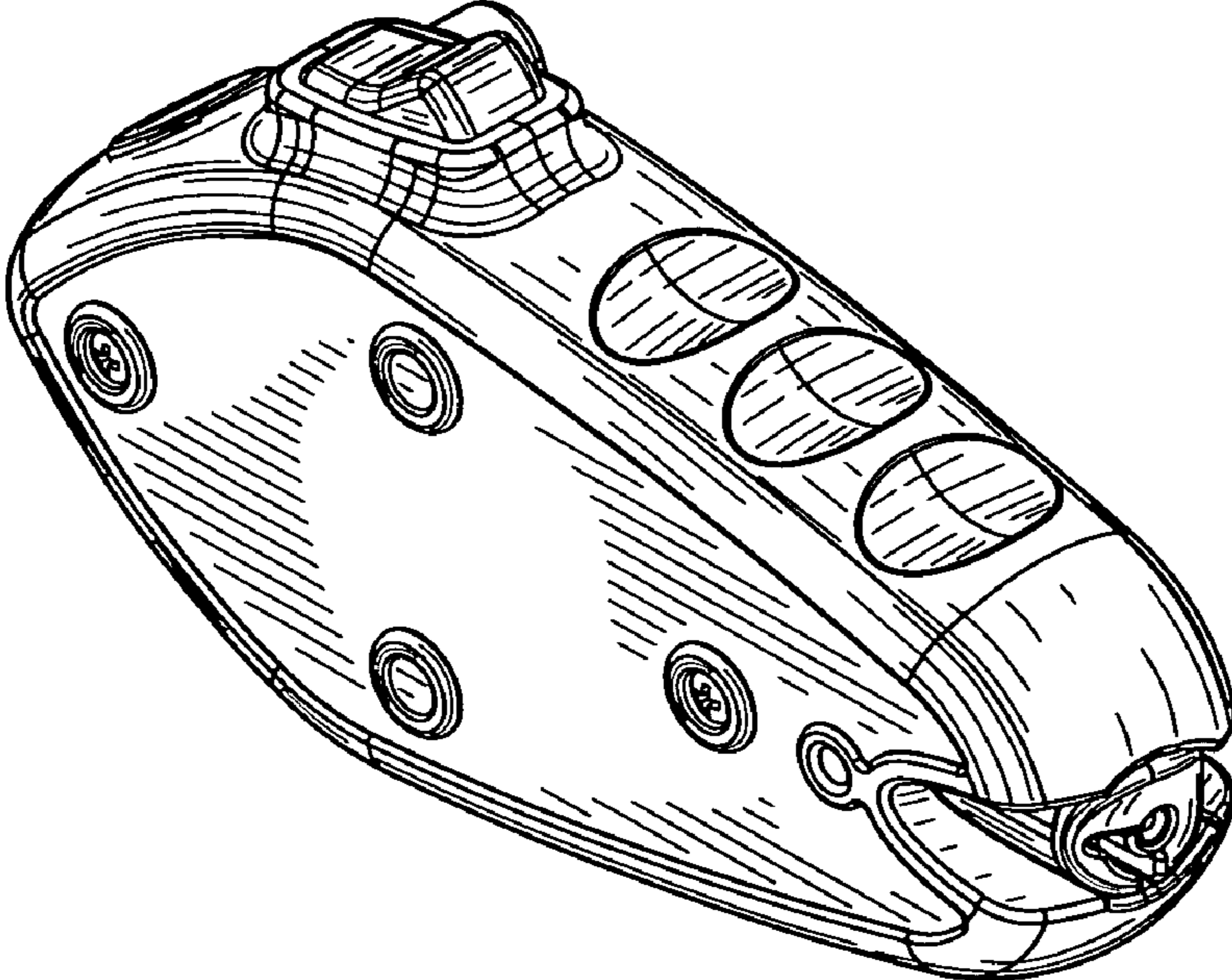


FIG. 2

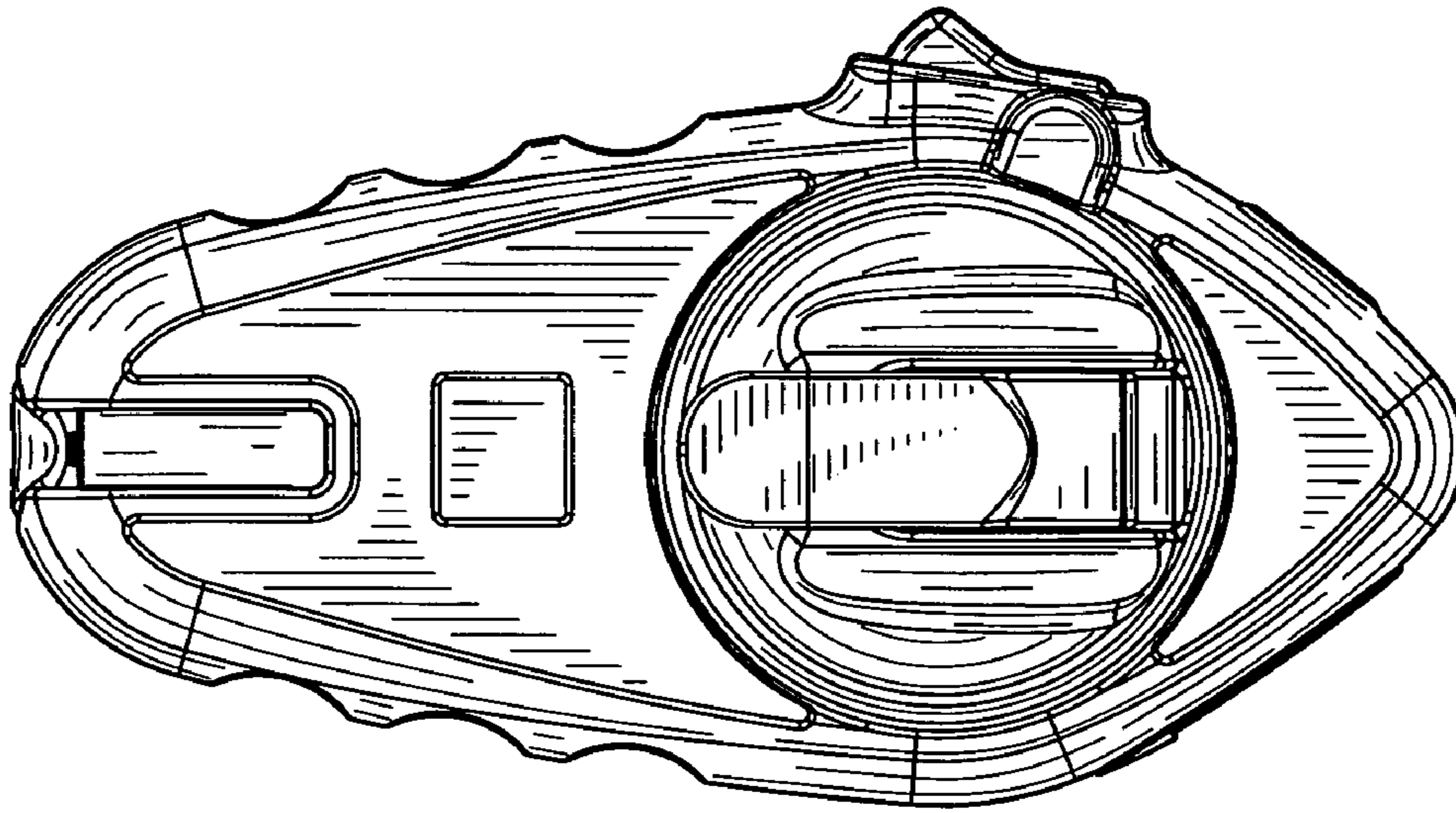


FIG.3

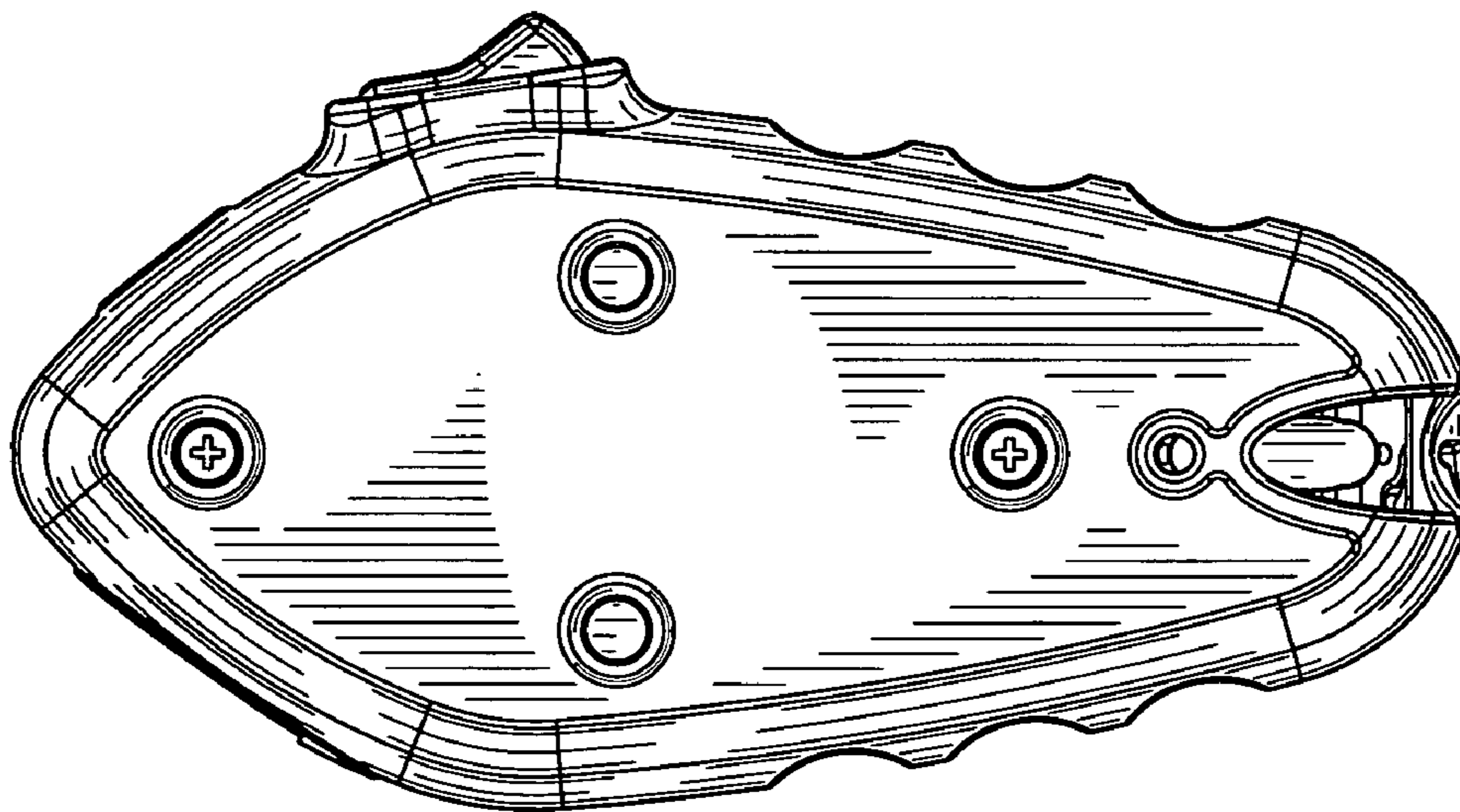


FIG.4

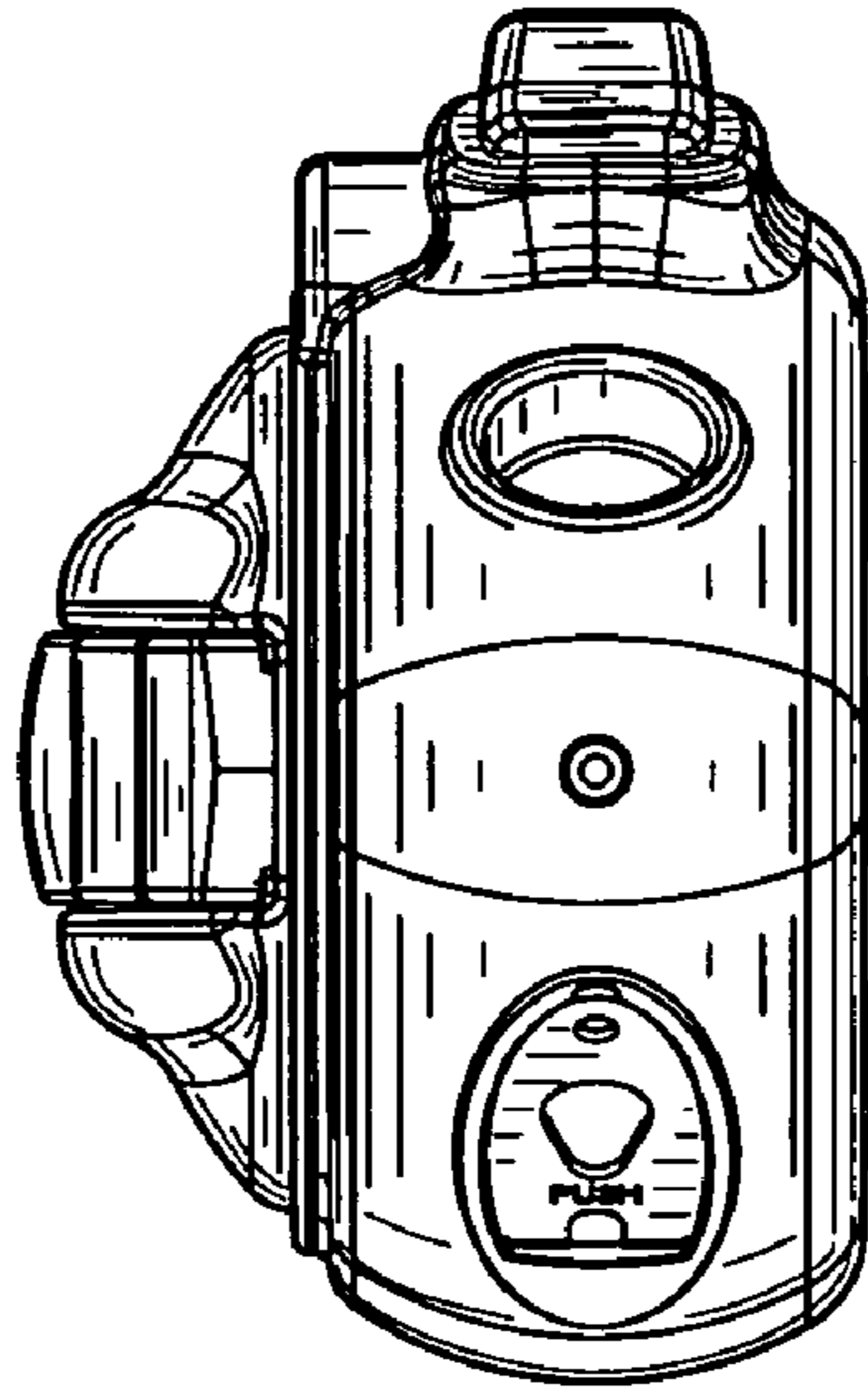


FIG. 5

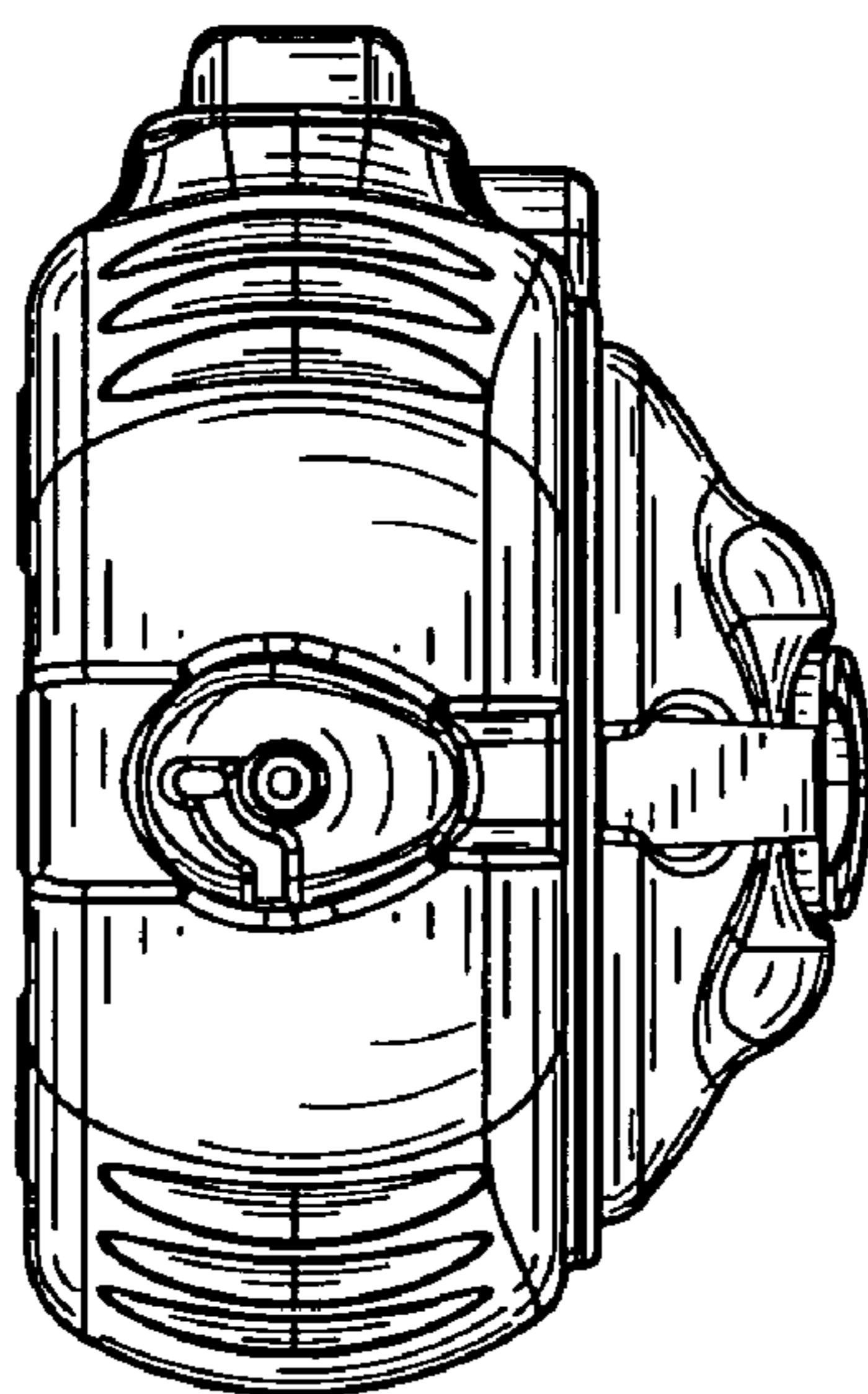


FIG. 6

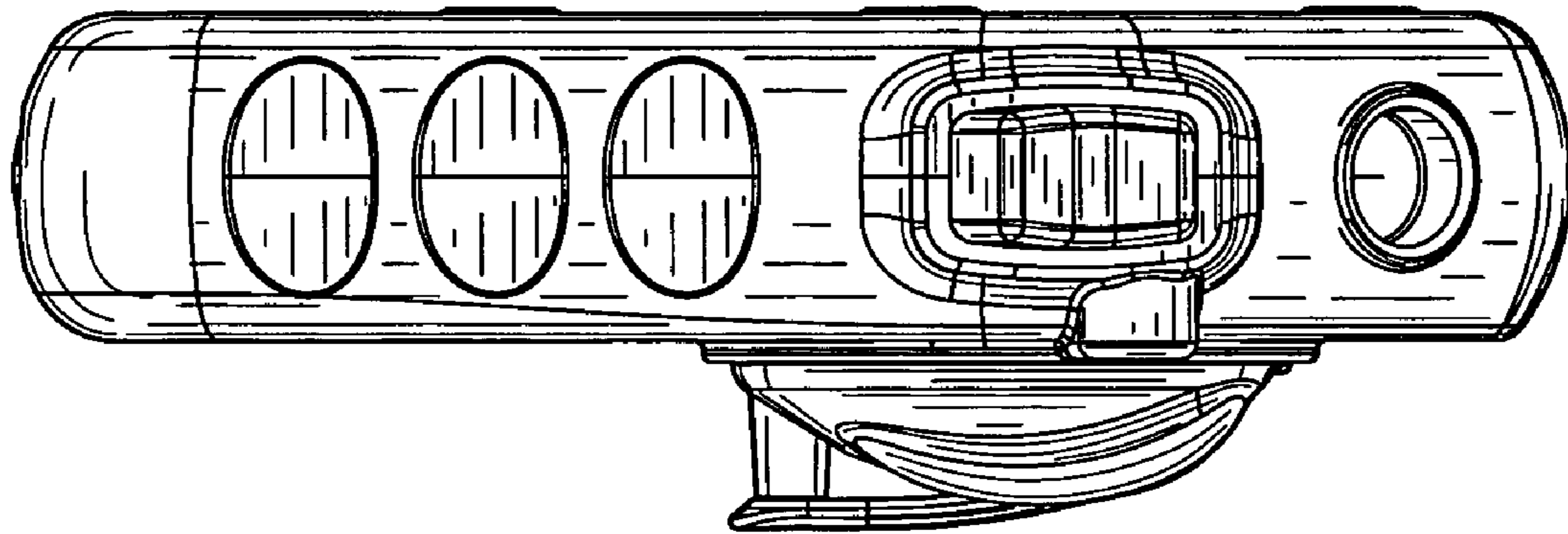


FIG. 7

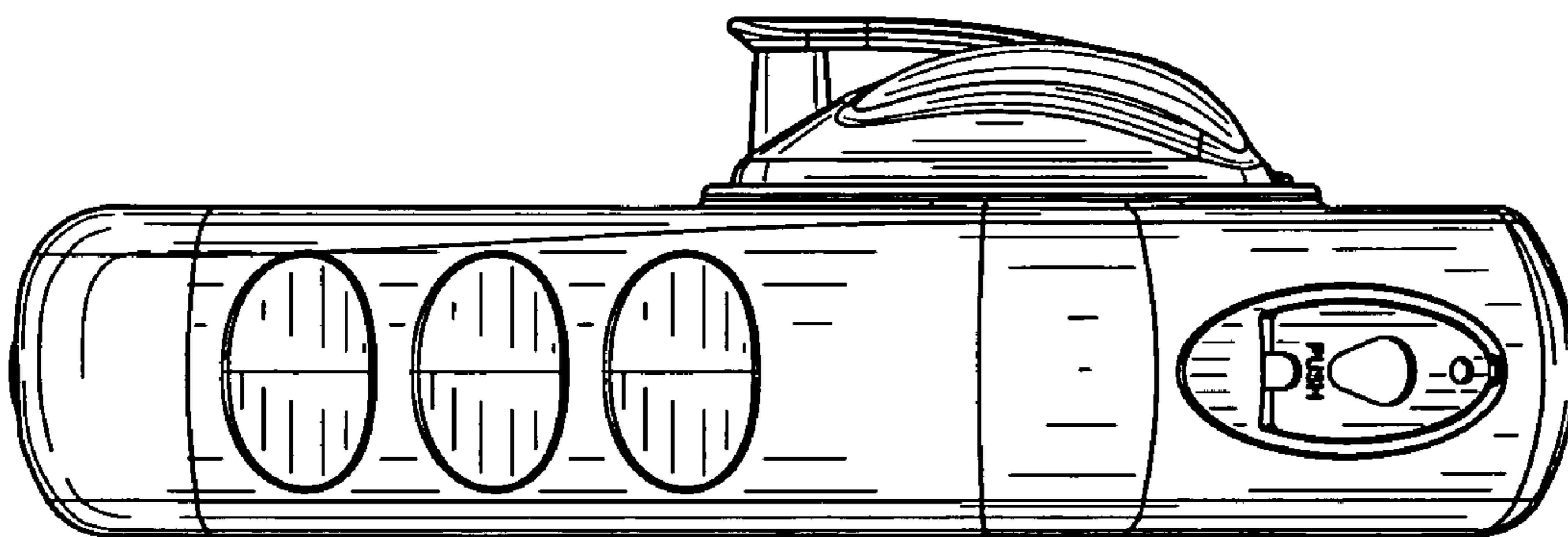


FIG. 8