



US00D573038S

(12) **United States Design Patent**  
**Picken**

(10) **Patent No.:** **US D573,038 S**  
(45) **Date of Patent:** **\*\* Jul. 15, 2008**

(54) **COMPARTMENTED PLASTIC PACKAGING**

(76) **Inventor:** **Dena E. Picken**, 20440 Summersong  
La., Germantown, MD (US) 20874

(\*\*) **Term:** **14 Years**

(21) **Appl. No.:** **29/267,437**

(22) **Filed:** **Oct. 13, 2006**

(51) **LOC (8) Cl.** ..... **09-03**

(52) **U.S. Cl.** ..... **D9/737**

(58) **Field of Classification Search** ..... D9/414,  
D9/415, 417, 418, 420, 424, 428, 430, 431,  
D9/432, 433, 730, 732, 37, 478, 479, 756,  
D9/759, 760, 761; D7/549, 553.2, 590, 601,  
D7/602, 609, 610, 612, 614, 629; D3/201,  
D3/203.1, 203.2, 203.3; 206/5, 5.1, 45.28,  
206/216, 232, 278, 457, 461, 509, 511, 524.1,  
206/527, 528, 531, 532, 538, 556, 557, 558,  
206/564-566, 631, 633, 820; 220/4.23, 4.27,  
220/23.4, 23.6, 500, 556, 666; 229/120.02,  
229/120.011, 123.1, 125.17, 125.35, 131.1,  
229/160, 162.1, 162.3, 406, 906; 426/114,  
426/115, 119, 120, 393, 394

See application file for complete search history.

(56) **References Cited**

**U.S. PATENT DOCUMENTS**

4,328,254 A \* 5/1982 Waldburger ..... 426/393

D318,207 S \* 7/1991 Anderson ..... D7/549  
D339,743 S \* 9/1993 Zellner et al. .... D9/761  
D387,977 S \* 12/1997 Kallgren ..... D9/732  
D492,195 S \* 6/2004 Shabaz ..... D9/737  
D523,288 S \* 6/2006 Pierce ..... D7/590  
D562,153 S \* 2/2008 Ruble et al. .... D9/732

\* cited by examiner

*Primary Examiner*—Stella M. Reid

*Assistant Examiner*—Shanda C Hill

(57) **CLAIM**

I claim, the ornamental design for the compartmented plastic packaging, as shown and described.

**DESCRIPTION**

FIG. 1 is a front elevational view of the compartmented plastic packaging showing my new design;

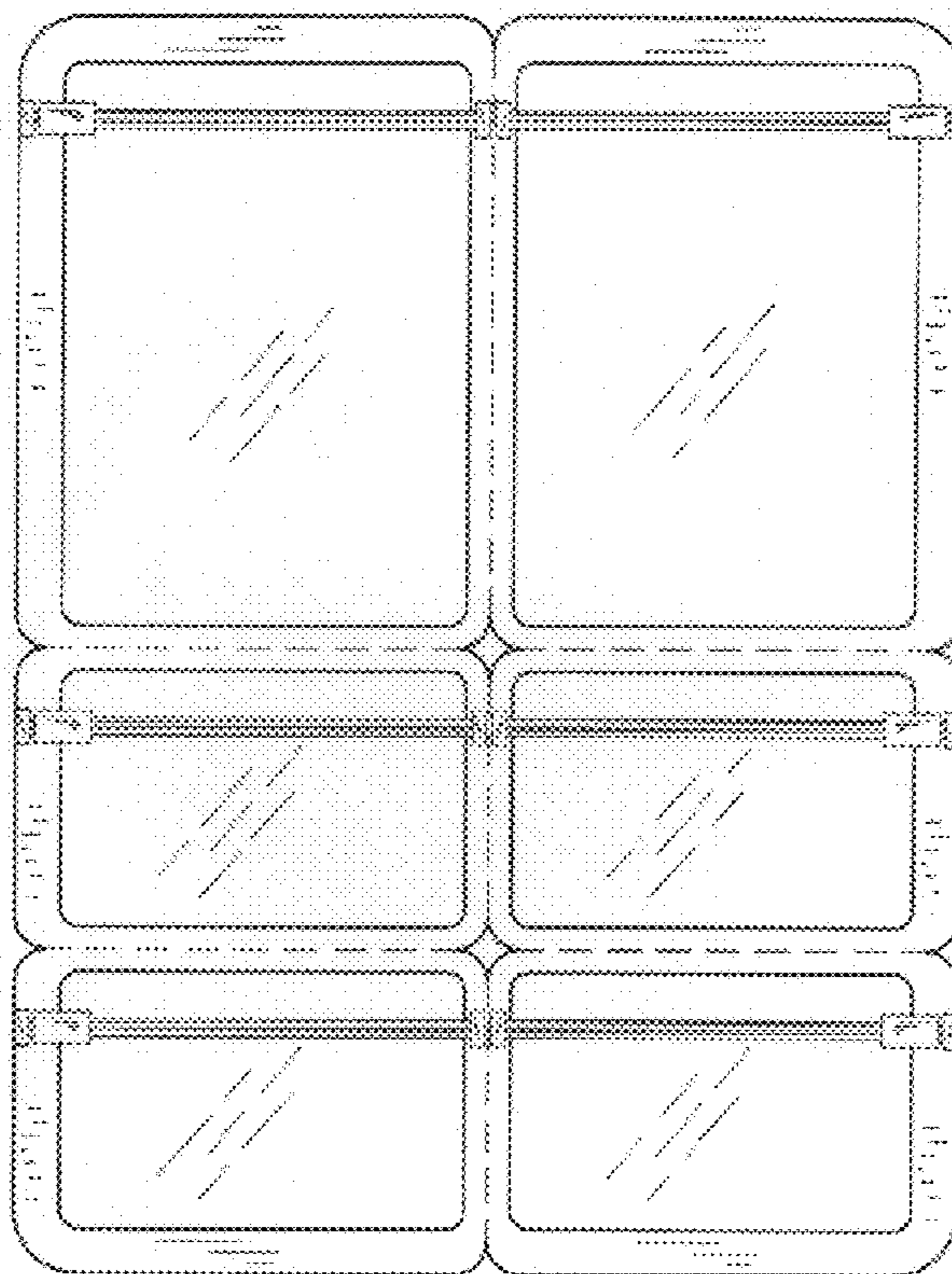
FIG. 2 is a rear elevational view thereof;

FIG. 3 is a left side elevational view thereof; and,

FIG. 4 is a top plan elevational view thereof.

The dashed lines shown in the drawing disclosure are meant to represent perforations.

**1 Claim, 3 Drawing Sheets**



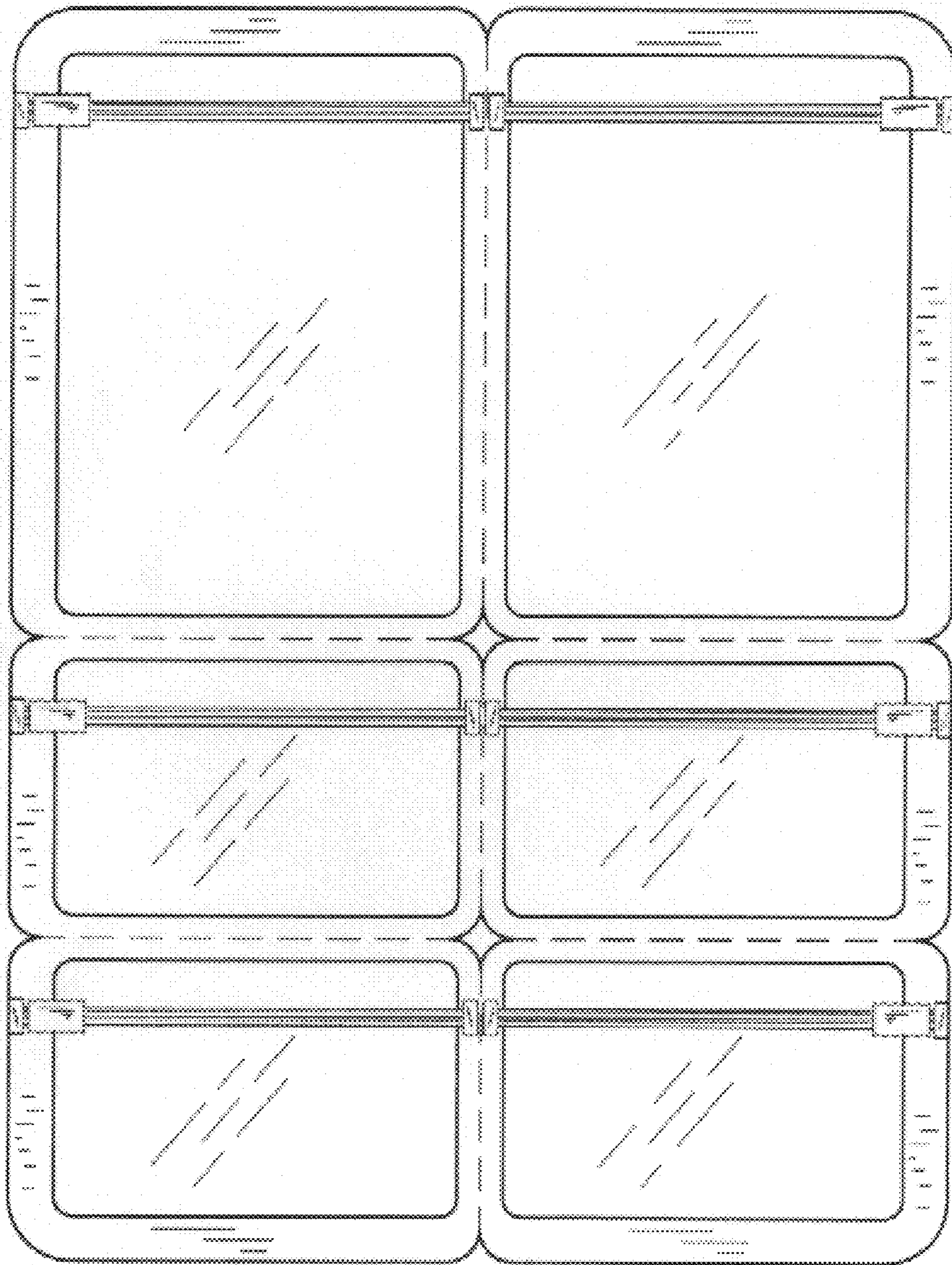


FIG. 1

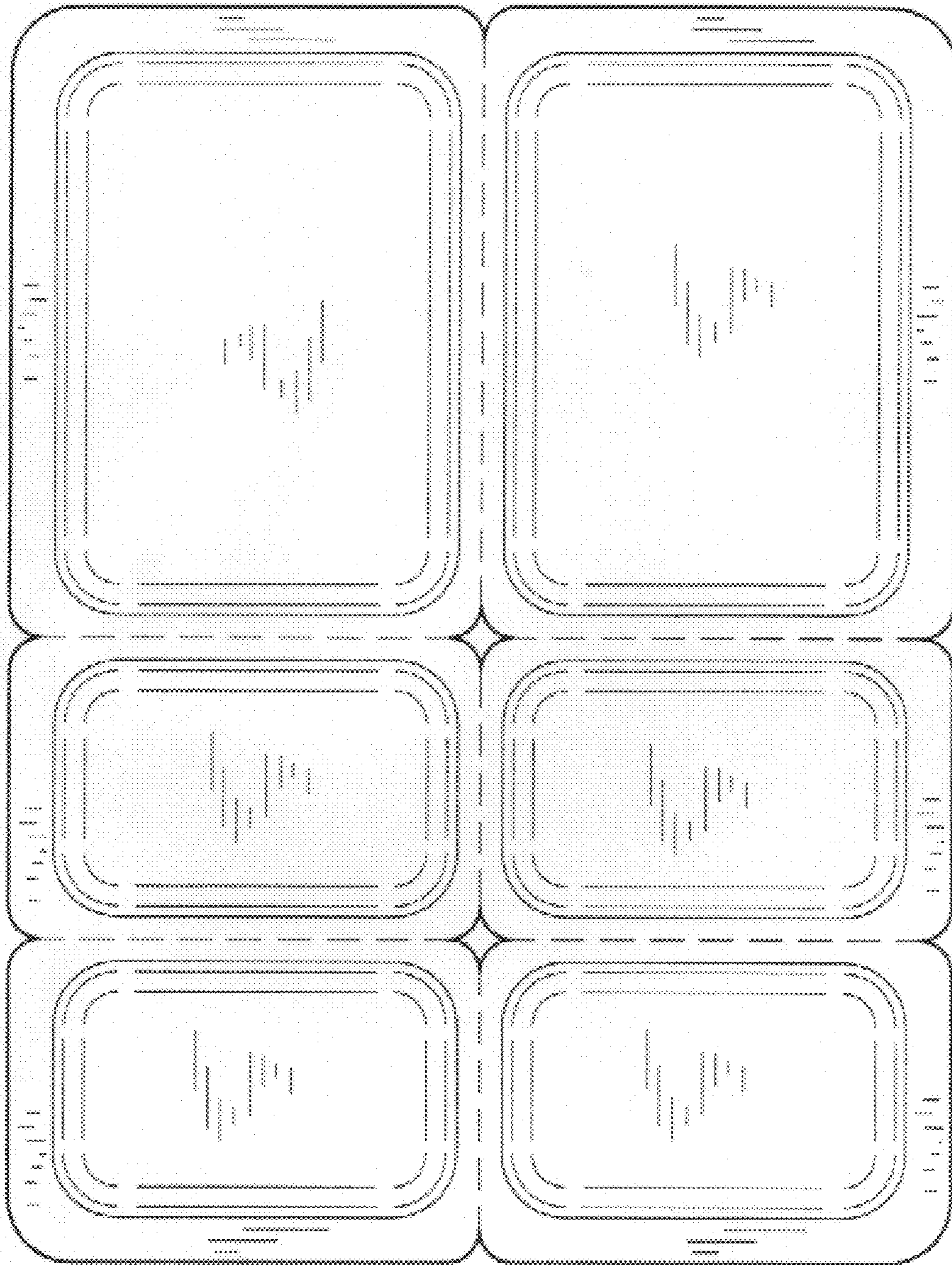


FIG. 2

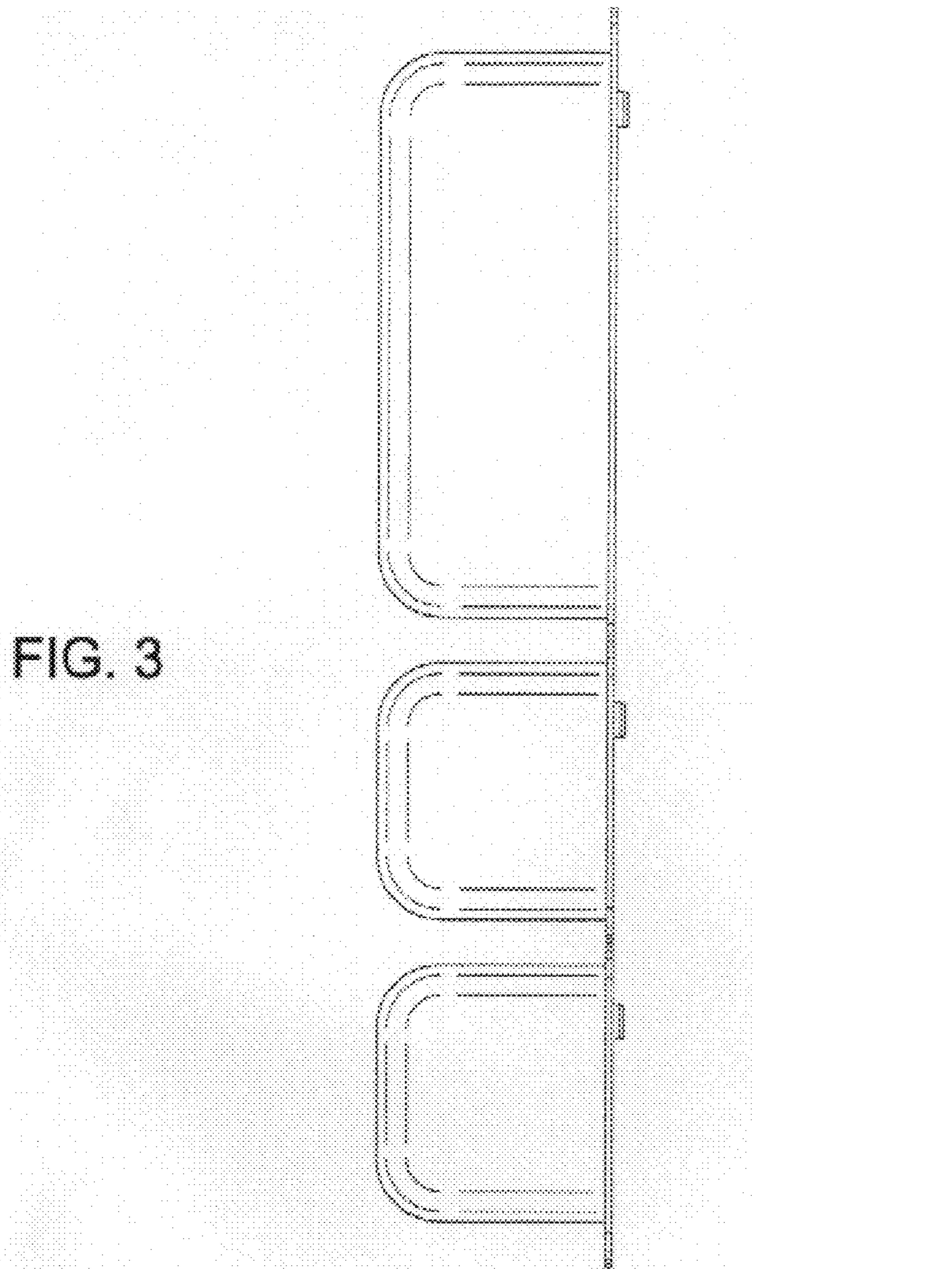


FIG. 3

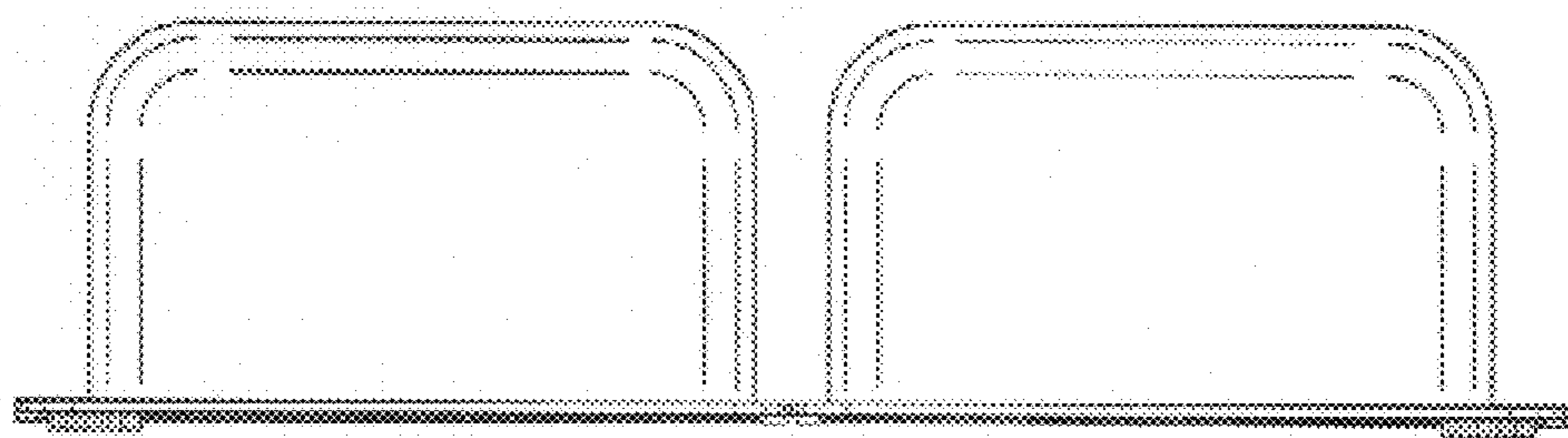


FIG. 4