



US00D573037S

(12) **United States Design Patent**  
**Murray**

(10) **Patent No.:** **US D573,037 S**  
(45) **Date of Patent:** **\*\* Jul. 15, 2008**

- (54) **FLEXIBLE POUCH**
- (75) Inventor: **R. Charles Murray**, Lakewood Ranch, FL (US)
- (73) Assignee: **Pouch Pac Innovations, LLC**, Sarasota, FL (US)
- (\*\*) Term: **14 Years**
- (21) Appl. No.: **29/276,174**
- (22) Filed: **Jan. 18, 2007**
- (51) **LOC (8) Cl.** ..... **09-05**
- (52) **U.S. Cl.** ..... **D9/710**
- (58) **Field of Classification Search** ..... D9/702-703, D9/705, 707, 710, 714, 434-435, 522, 696; 206/822; 383/61.1, 63, 80-81, 103-104, 383/203, 901; 222/92, 107  
See application file for complete search history.

5,267,591 A	12/1993	Wakabayashi et al.
5,433,526 A	7/1995	Wild et al.
5,485,714 A	1/1996	Montalvo
D393,999 S *	5/1998	Gruenbacher et al. .... D9/697
6,199,601 B1	3/2001	Laudenberg et al.
6,422,753 B1	7/2002	Thomas
D490,303 S *	5/2004	Berman ..... D9/708
D502,092 S *	2/2005	Berman ..... D9/708
D504,610 S *	5/2005	Berman ..... D9/708
D519,848 S *	5/2006	Kirou et al. .... D9/707
D527,278 S *	8/2006	Ueda ..... D9/702
D528,011 S *	9/2006	Ueda ..... D9/702
D532,703 S *	11/2006	Wild ..... D9/708
D557,614 S *	12/2007	Murray ..... D9/708
D558,594 S *	1/2008	Kirou et al. .... D9/707
D563,242 S *	3/2008	Murray ..... D9/708
D563,243 S *	3/2008	Murray ..... D9/710

\* cited by examiner

*Primary Examiner*—Caron D. Veynar  
*Assistant Examiner*—Abraham Bahta  
(74) *Attorney, Agent, or Firm*—Gifford, Krass, Sprinkle, Anderson & Citkowski, P.C.

(56) **References Cited**  
U.S. PATENT DOCUMENTS

733,449 A	7/1903	Willsie
2,189,174 A	2/1940	Hohl
2,703,671 A	3/1955	Kindseth
3,286,005 A	11/1966	Cook
3,304,977 A	2/1967	Hammons
3,924,008 A	12/1975	Ford et al.
4,078,717 A	3/1978	Stearley
4,326,568 A	4/1982	Burton et al.
4,361,235 A	11/1982	Gautier et al.
4,498,591 A	2/1985	Smith, II
4,717,046 A	1/1988	Brogli et al.
4,848,421 A	7/1989	Froese et al.
4,999,978 A	3/1991	Kohlbach et al.
5,222,535 A	6/1993	Roders

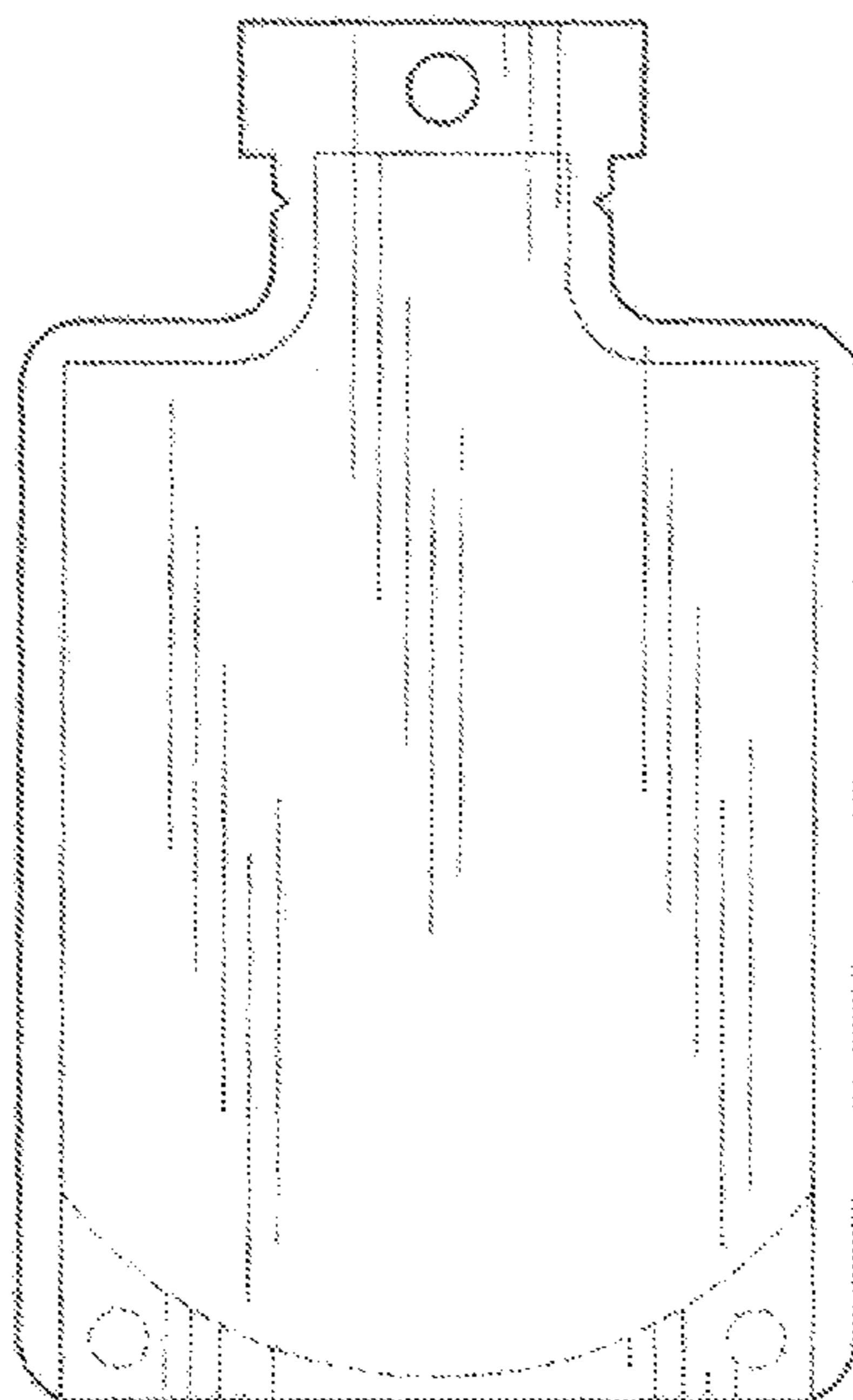
(57) **CLAIM**

The ornamental design for a flexible pouch, as shown and described.

**DESCRIPTION**

FIG. 1 is a front elevational view of a flexible pouch showing my new design;  
FIG. 2 is a side elevational view thereof;  
FIG. 3 is a rear side elevational view thereof; and,  
FIG. 4 is a bottom plan view thereof.

**1 Claim, 2 Drawing Sheets**



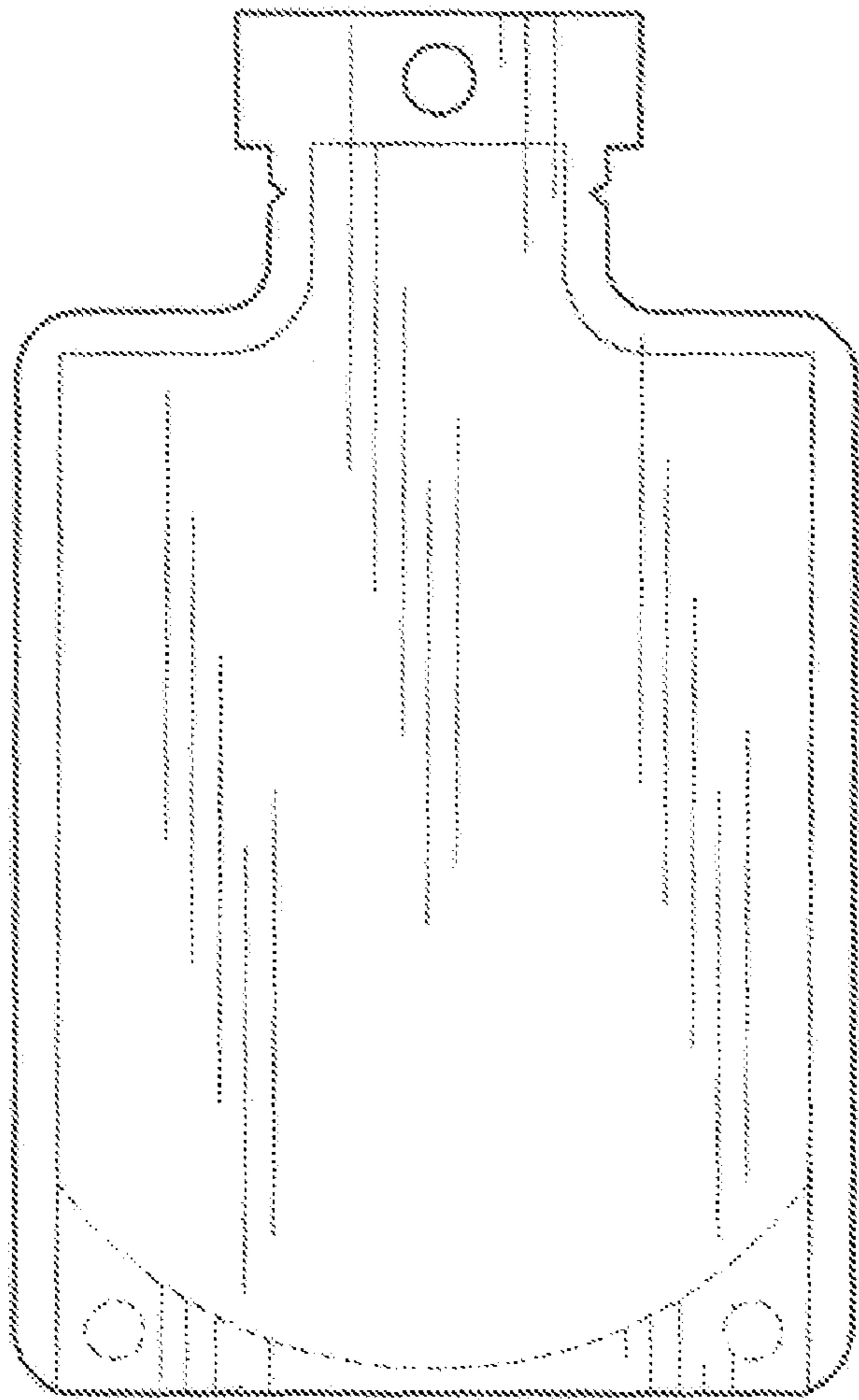
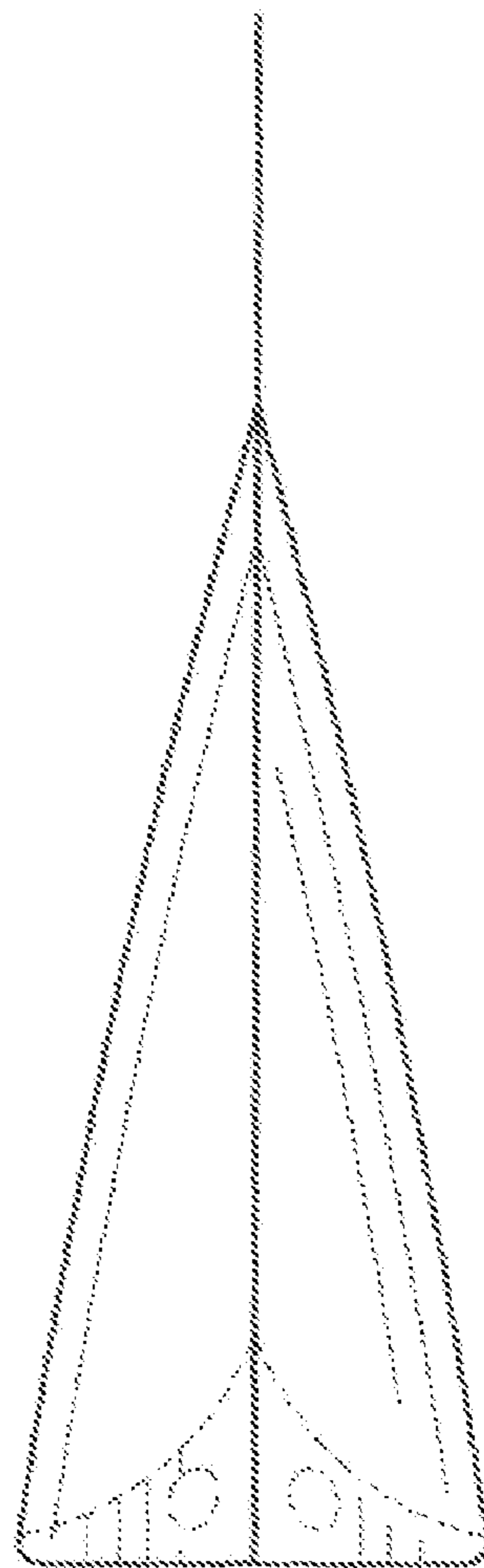


FIG. 1

FIG. 2



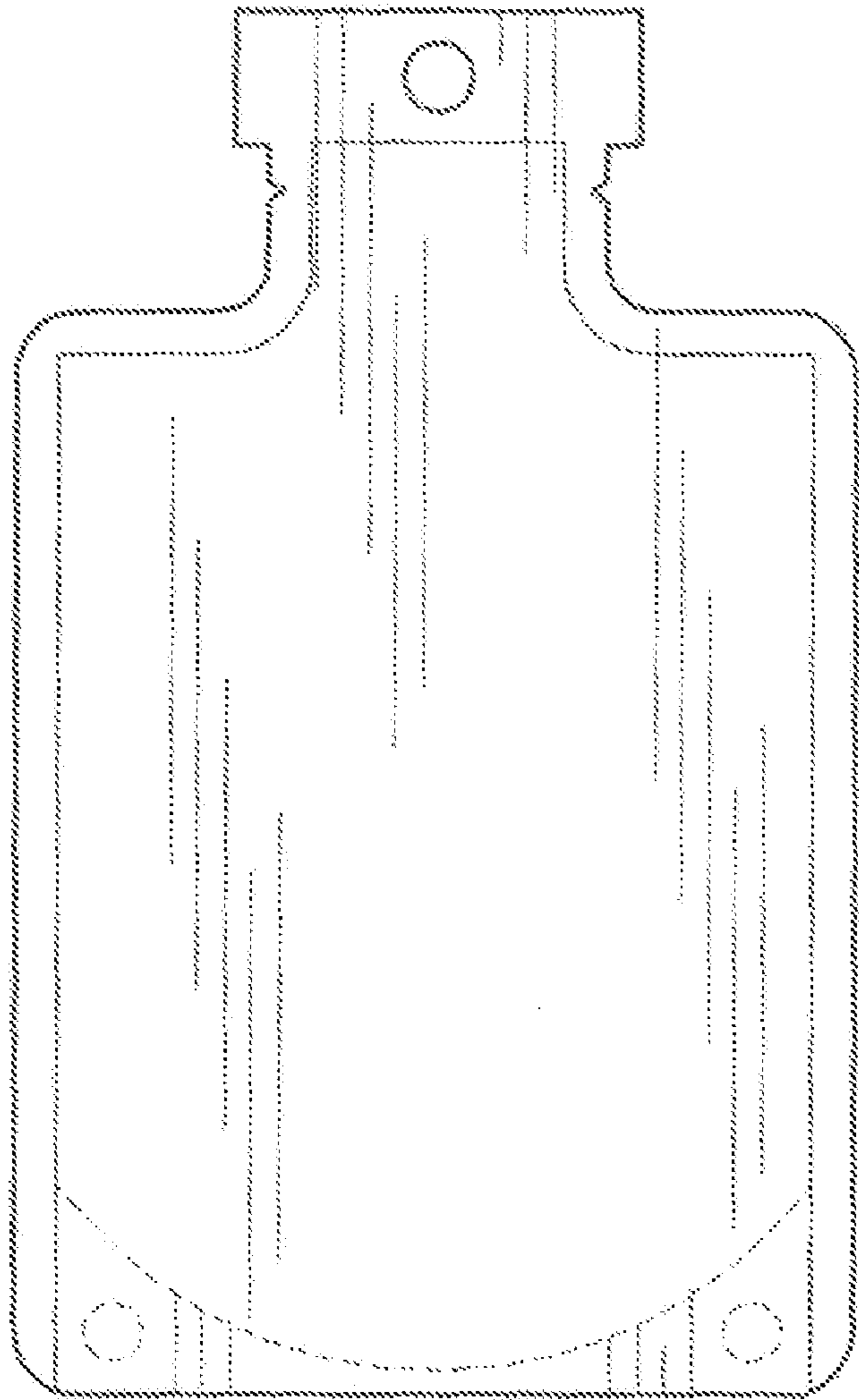


FIG-3

FIG-4

