



US00D573035S

(12) **United States Design Patent**
Dean

(10) **Patent No.:** **US D573,035 S**
(45) **Date of Patent:** **** Jul. 15, 2008**

(54) **BOTTLE FOR FRAGRANCE, PERFUME, EAU DE TOILETTE, COSMETICS OR OTHER PRODUCTS**

D448,247 S * 9/2001 Hong D7/591
D452,160 S * 12/2001 Mettler D9/574
D459,656 S * 7/2002 Burger D9/503
D483,265 S * 12/2003 Maffei D9/500
D518,381 S * 4/2006 Egawa D9/504

(75) Inventor: **Brett A. Dean**, New Albany, OH (US)

(73) Assignee: **Abercrombie & Fitch Trading Co.**,
New Albany, OH (US)

(**) Term: **14 Years**

(21) Appl. No.: **29/284,546**

(22) Filed: **Sep. 11, 2007**

(51) **LOC (8) Cl.** **09-01**

(52) **U.S. Cl.** **D9/690; D9/503**

(58) **Field of Classification Search** D21/682-694,
D21/500-505, 516-575; D28/76, 82, 88,
D28/89, 91, 91.1; 215/379, 382; 220/662,
220/665, 669

See application file for complete search history.

(56) **References Cited**

U.S. PATENT DOCUMENTS

D136,351 S * 9/1943 Mayer D9/502
D272,722 S * 2/1984 Haakenson D9/503
D315,296 S * 3/1991 De Giovellina D9/573
D319,014 S * 8/1991 Di Nuccio D9/574
D347,165 S * 5/1994 Schneider D9/688
D347,571 S * 6/1994 Wacker D9/688
D365,020 S * 12/1995 Dinand D9/689
D423,922 S * 5/2000 Ohchi et al. D9/688

FOREIGN PATENT DOCUMENTS

EP 000436100-0003 * 11/2005

* cited by examiner

Primary Examiner—Catherine Tuttle

(74) *Attorney, Agent, or Firm*—Kirkpatrick & Lockhart
Preston Gates Ellis LLP

(57) **CLAIM**

I claim the ornamental design for a bottle for fragrance, perfume, eau de toilette, cosmetics or other products, as shown and described.

DESCRIPTION

FIG. 1 is a top plan view of the bottle for fragrance, perfume, eau de toilette, cosmetics or other products showing my new design;

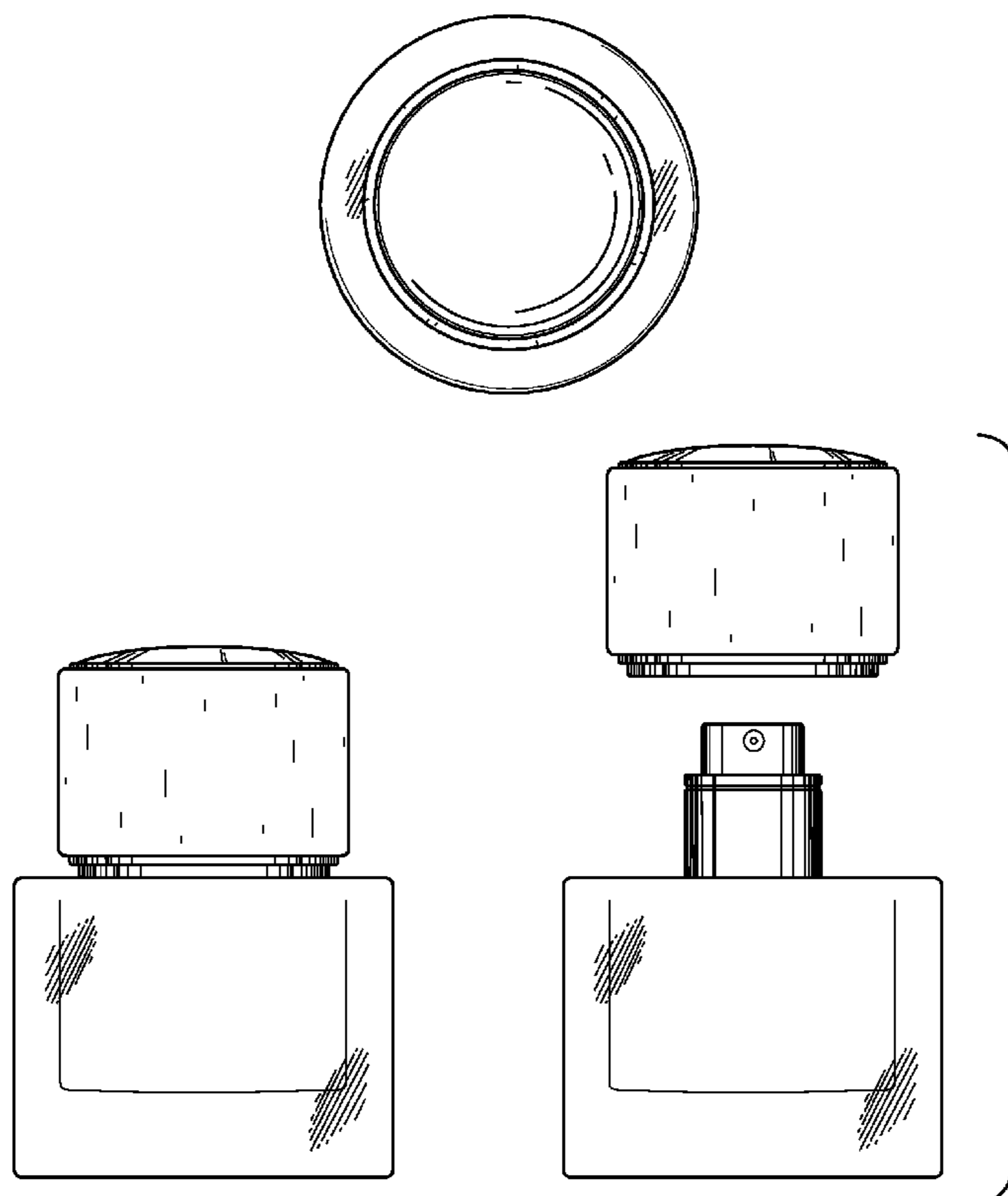
FIG. 2 is a top plan view shown with the cap removed to disclose the underlying parts;

FIG. 3 is a front view of the design;

FIG. 4 is an exploded front view of the design; and,

FIG. 5 is a bottom view of the design.

1 Claim, 1 Drawing Sheet



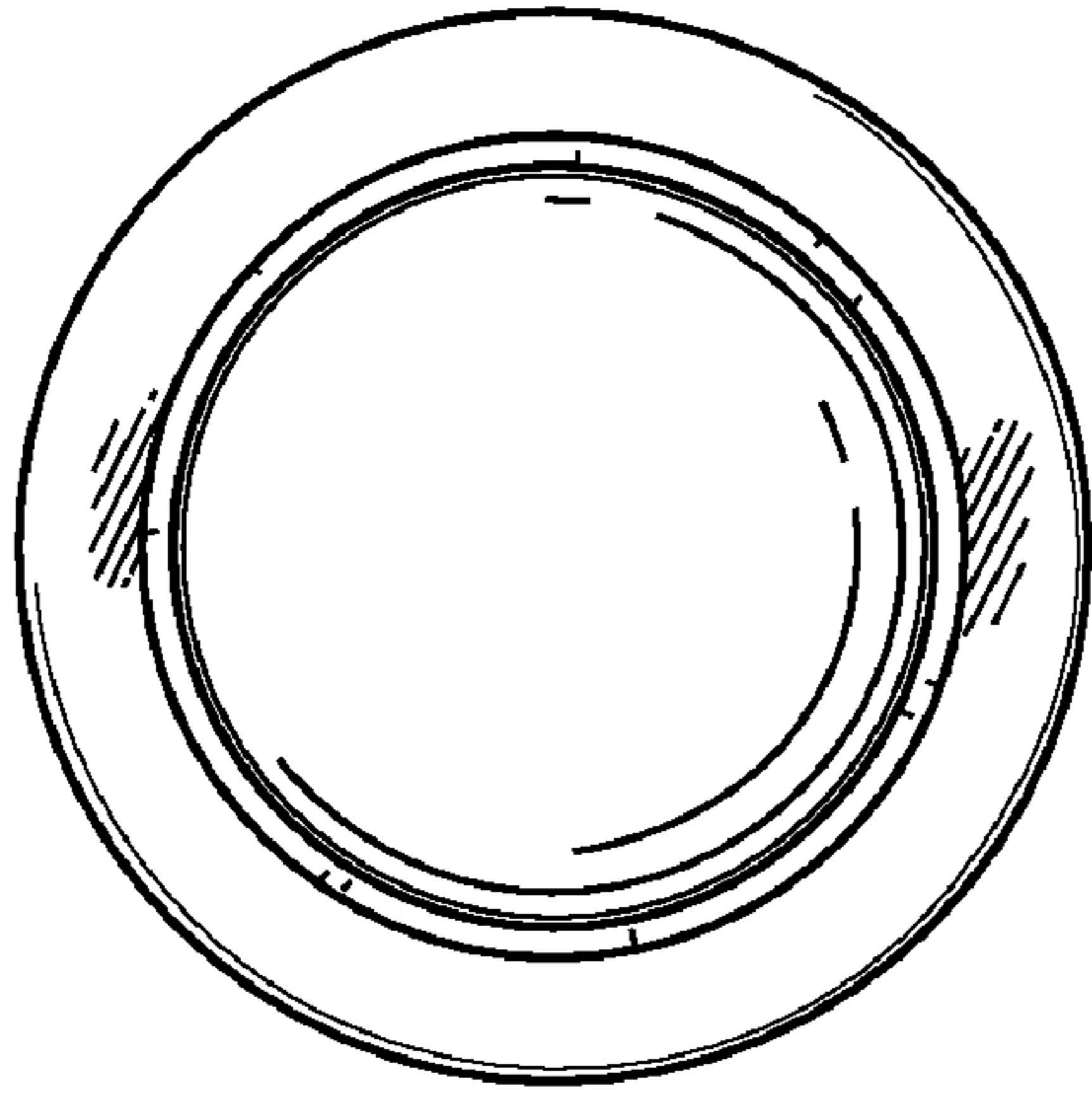


FIG. 1

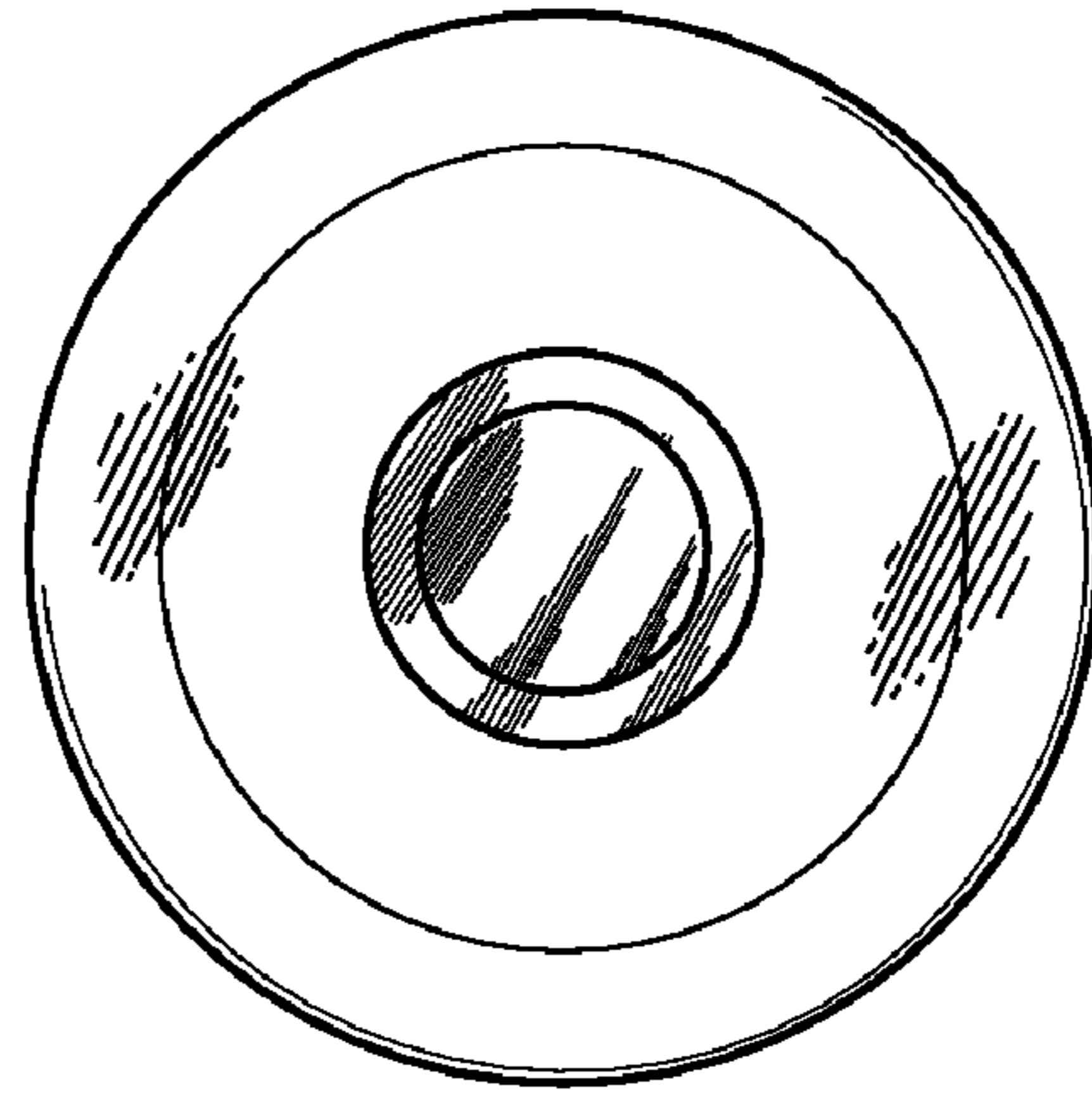


FIG. 2

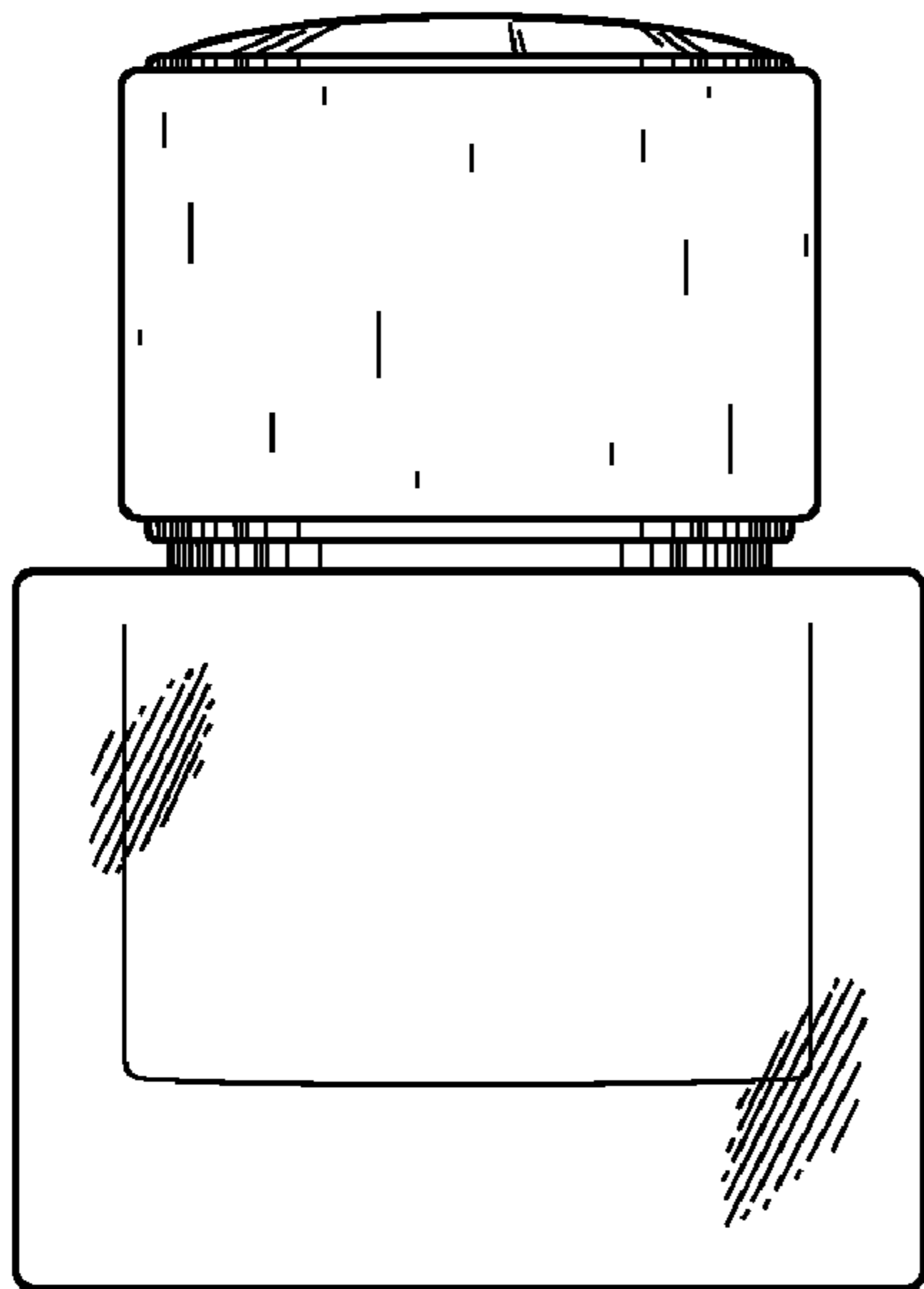


FIG. 3

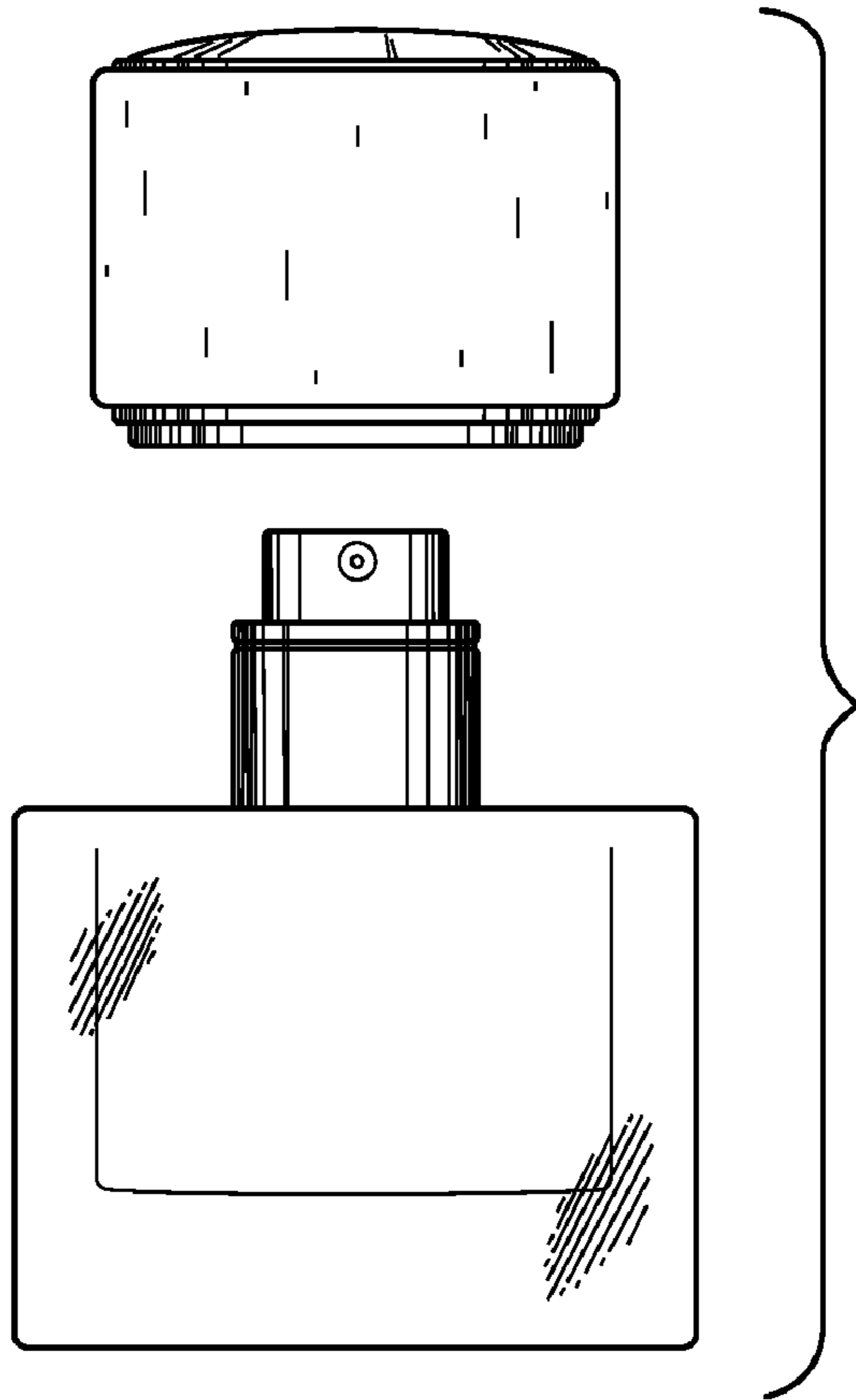


FIG. 4