



US00D573030S

(12) **United States Design Patent**
Boon

(10) **Patent No.:** **US D573,030 S**
(45) **Date of Patent:** **** Jul. 15, 2008**

(54) **BOTTLE**

(75) Inventor: **Yen Heng Boon**, Singapore (SG)

(73) Assignee: **Stokely-Van Camp, Inc.**, Chicago, IL (US)

(**) Term: **14 Years**

(21) Appl. No.: **29/284,650**

(22) Filed: **Sep. 12, 2007**

Related U.S. Application Data

(63) Continuation of application No. 29/276,730, filed on Feb. 2, 2007, now abandoned.

(51) **LOC (8) Cl.** **09-01**

(52) **U.S. Cl.** **D9/539; D9/552; D9/557; D9/558**

(58) **Field of Classification Search** D9/516, D9/520, 537-540, 545, 549, 552-554, 556-557, D9/565, 682, 686-693; D7/509-511; 215/381-385
See application file for complete search history.

(56) **References Cited**

U.S. PATENT DOCUMENTS

4,134,510 A 1/1979 Chang

(Continued)

OTHER PUBLICATIONS

The Coca-Cola Company, Mexican Trademark Registration No. 547344, Mar. 24, 1997.

Primary Examiner—Carol Rademaker

(74) *Attorney, Agent, or Firm*—Banner & Witcoff, Ltd.

(57) **CLAIM**

I claim the ornamental design for a bottle, as shown and described.

DESCRIPTION

FIG. 1 is a front right perspective view of a bottle showing a first embodiment of my new design;

FIG. 2 is a front view thereof;

FIG. 3 is a left side view thereof.

FIG. 4 is a rear view thereof;

FIG. 5 is a right side view thereof;

FIG. 6 is a top view thereof;

FIG. 7 is a bottom view thereof;

FIG. 8 is a front right perspective view of a bottle showing a second embodiment of my new design;

FIG. 9 is a front view thereof;

FIG. 10 is a left side view thereof.

FIG. 11 is a rear view thereof;

FIG. 12 is a right side view thereof;

FIG. 13 is a top view thereof;

FIG. 14 is a bottom view thereof;

FIG. 15 is a front right perspective view of a bottle showing a third embodiment of my new design;

FIG. 16 is a front view thereof;

FIG. 17 is a left side view thereof.

FIG. 18 is a rear view thereof;

FIG. 19 is a right side view thereof;

FIG. 20 is a top view thereof;

FIG. 21 is a bottom view thereof;

FIG. 22 is a front right perspective view of a bottle showing a fourth embodiment of my new design;

FIG. 23 is a front view thereof;

FIG. 24 is a left side view thereof.

FIG. 25 is a rear view thereof;

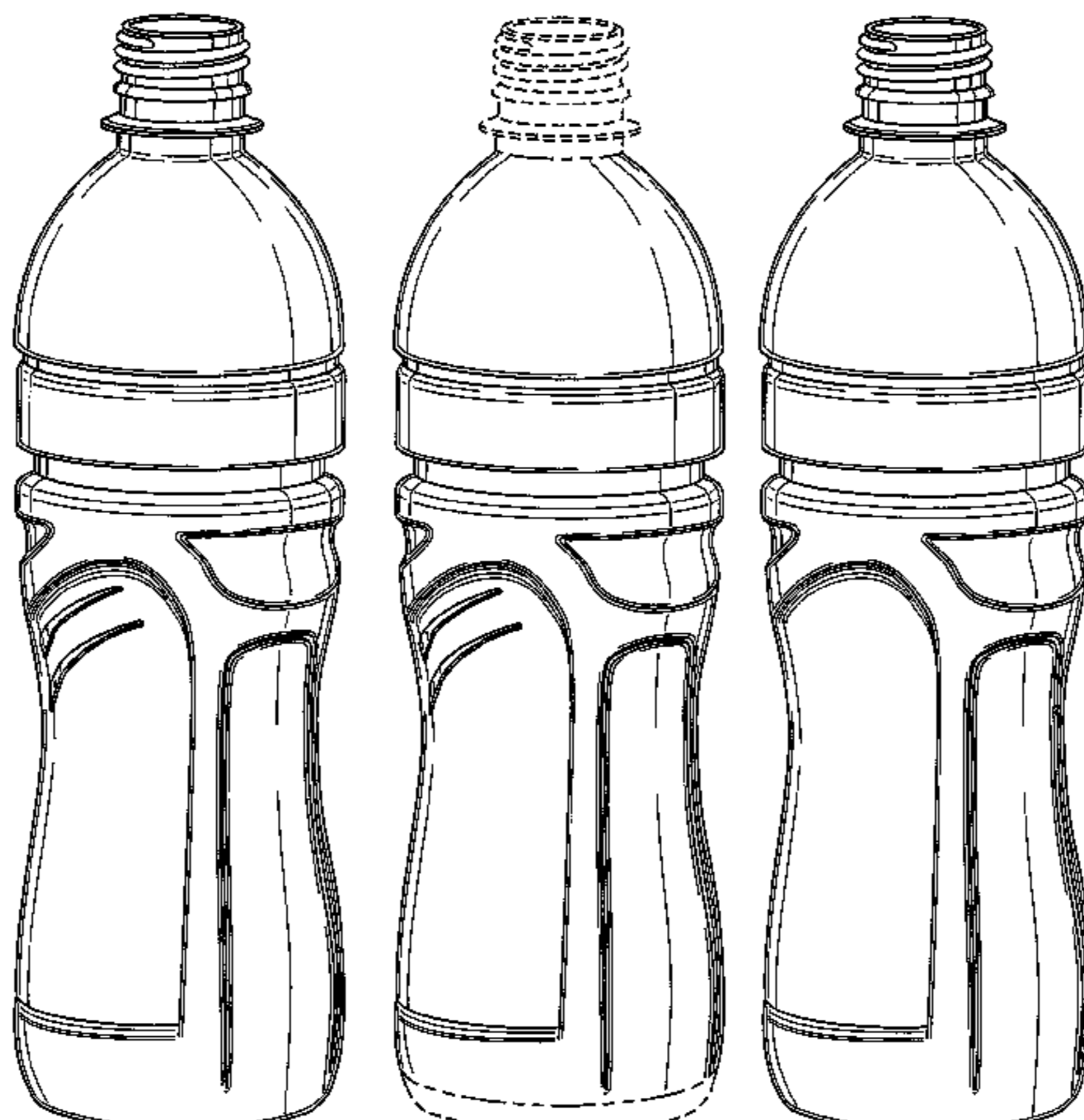
FIG. 26 is a right side view thereof;

FIG. 27 is a top view thereof; and,

FIG. 28 is a bottom view thereof.

The dash-dash-dash-dash broken lines shown in the drawing views are for illustrative purposes only and form no part of the claimed design. The dash-dot-dot-dash-dot-dot-dash broken lines shown in the drawings represent the boundary lines of the claimed design.

1 Claim, 24 Drawing Sheets



US D573,030 S

Page 2

U.S. PATENT DOCUMENTS

4,403,706 A	9/1983	Mahajan	6,024,917 A	2/2000	Kamstra
4,525,401 A	6/1985	Pocock et al.	D438,455 S	3/2001	Bretz et al.
4,610,366 A	9/1986	Estes et al.	D442,474 S	5/2001	Piccioli et al.
4,803,055 A	2/1989	Ueda	D445,692 S	7/2001	Meeker et al.
4,863,046 A	9/1989	Collette et al.	D446,112 S	8/2001	Bretz et al.
D308,482 S *	6/1990	Wild D9/557 X	D453,003 S *	1/2002	Rashid D9/557 X
5,031,673 A	7/1991	Clusserath	D458,141 S *	6/2002	Crawford et al.
5,163,487 A	11/1992	Clusserath	D470,772 S *	2/2003	Egger D9/537
5,178,289 A	1/1993	Krishnakumar et al.	D498,679 S	11/2004	Meeker et al.
5,277,207 A	1/1994	Perrier	D499,608 S	12/2004	Cintron et al.
5,279,433 A	1/1994	Krishnakumar et al.	D502,404 S	3/2005	Hunt et al.
5,303,834 A	4/1994	Krishnakumar et al.	D509,745 S	9/2005	Hill et al.
5,558,135 A	9/1996	Kronseder et al.	D533,785 S *	12/2006	Corbett et al. D9/538
5,564,481 A	10/1996	Clusserath	D536,255 S *	2/2007	Corbett et al. D9/538
5,704,503 A	1/1998	Krishnakumar et al.	D547,660 S	7/2007	Lepoitevin
D404,310 S	1/1999	Martin	D547,664 S *	7/2007	Davis et al. D9/538
5,896,899 A	4/1999	Schmitz	D551,081 S *	9/2007	Ohara et al. D9/538 X
5,908,128 A	6/1999	Krishnakumar et al.	D552,477 S *	10/2007	Hermel D9/538
D412,120 S	7/1999	Payne et al.	D556,593 S *	12/2007	de Cleir et al. D9/552
5,971,184 A	10/1999	Krishnakumar et al.	D560,501 S *	1/2008	Kim et al. D9/539
5,989,661 A	11/1999	Krishnakumar et al.	2006/0283832 A1	12/2006	De Cleir et al.

* cited by examiner

Fig. 1

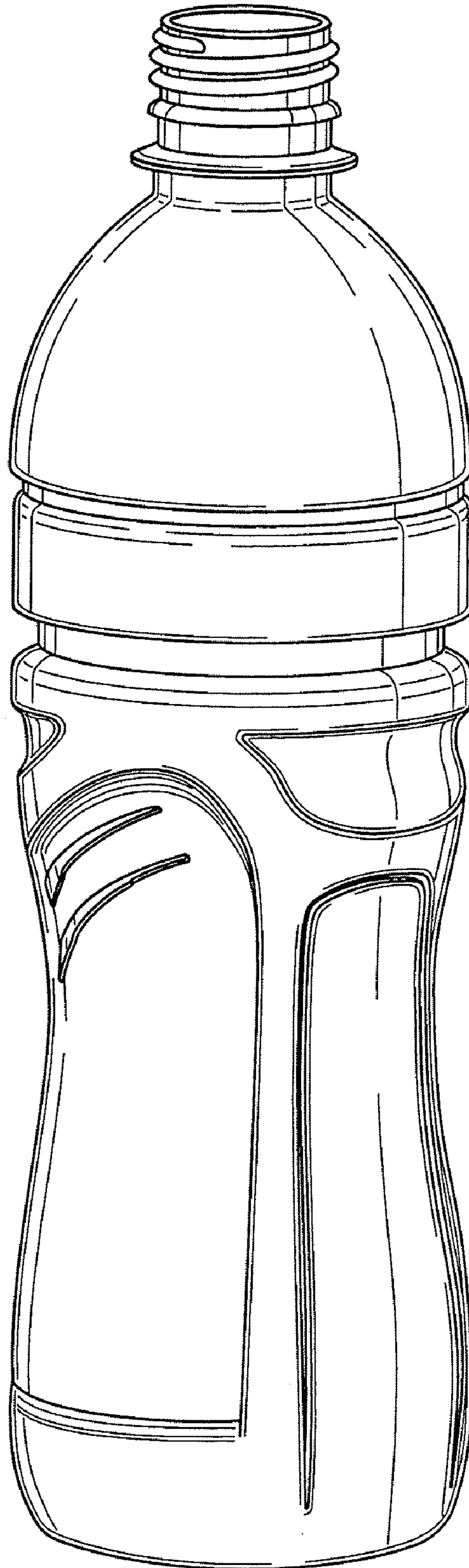


Fig. 2

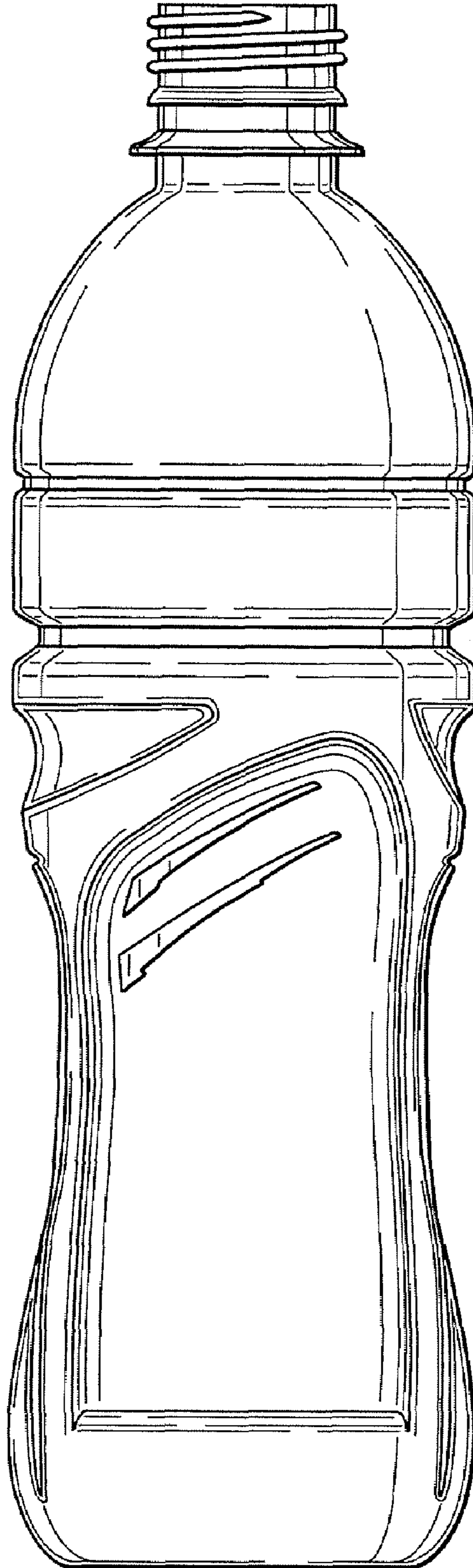


Fig. 3

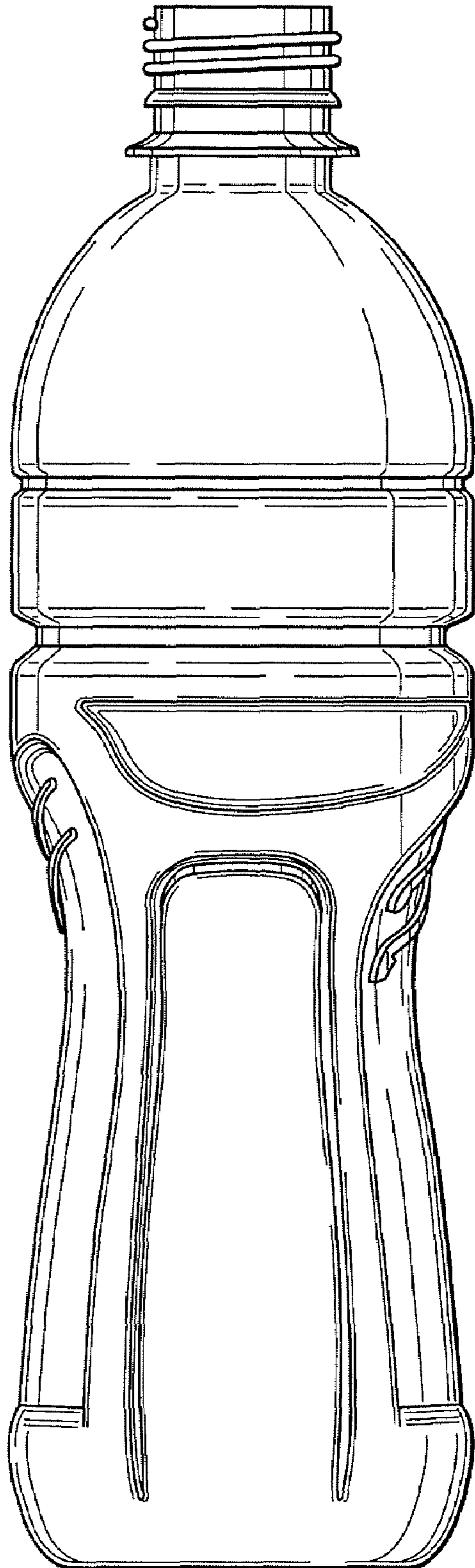


Fig. 4

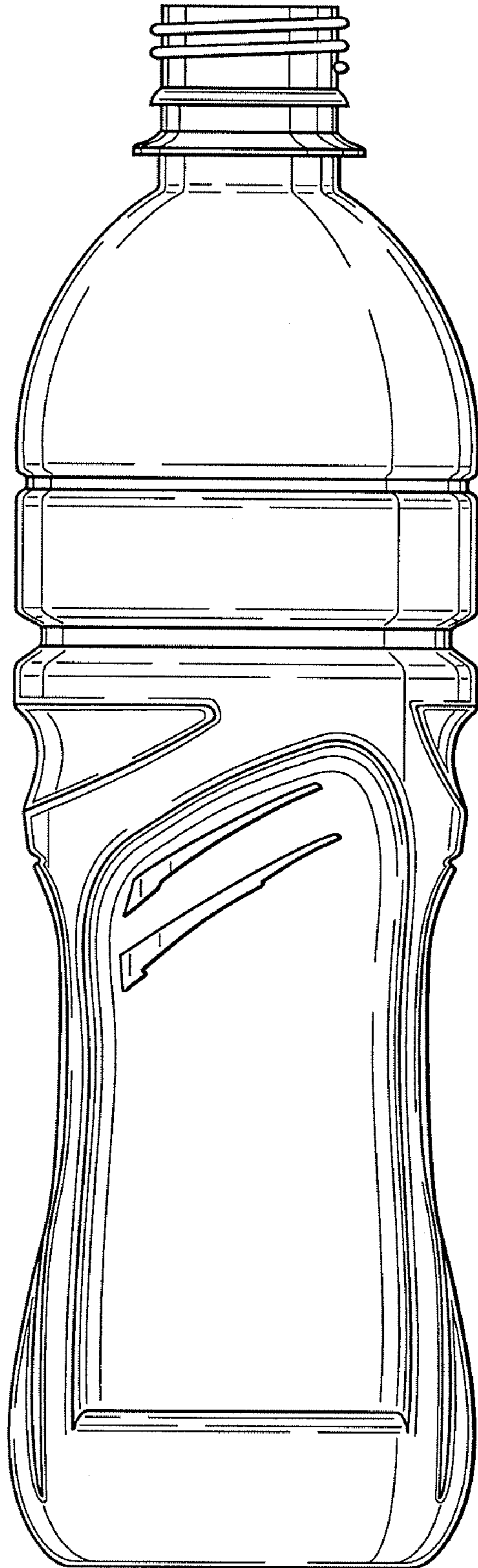


Fig. 5

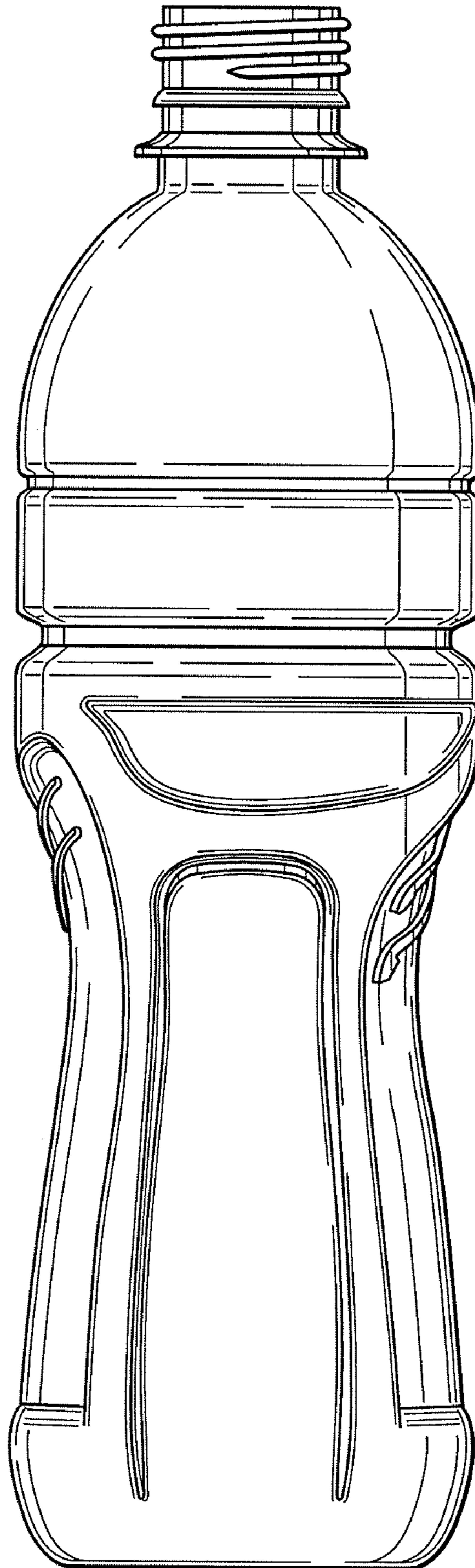


Fig. 6

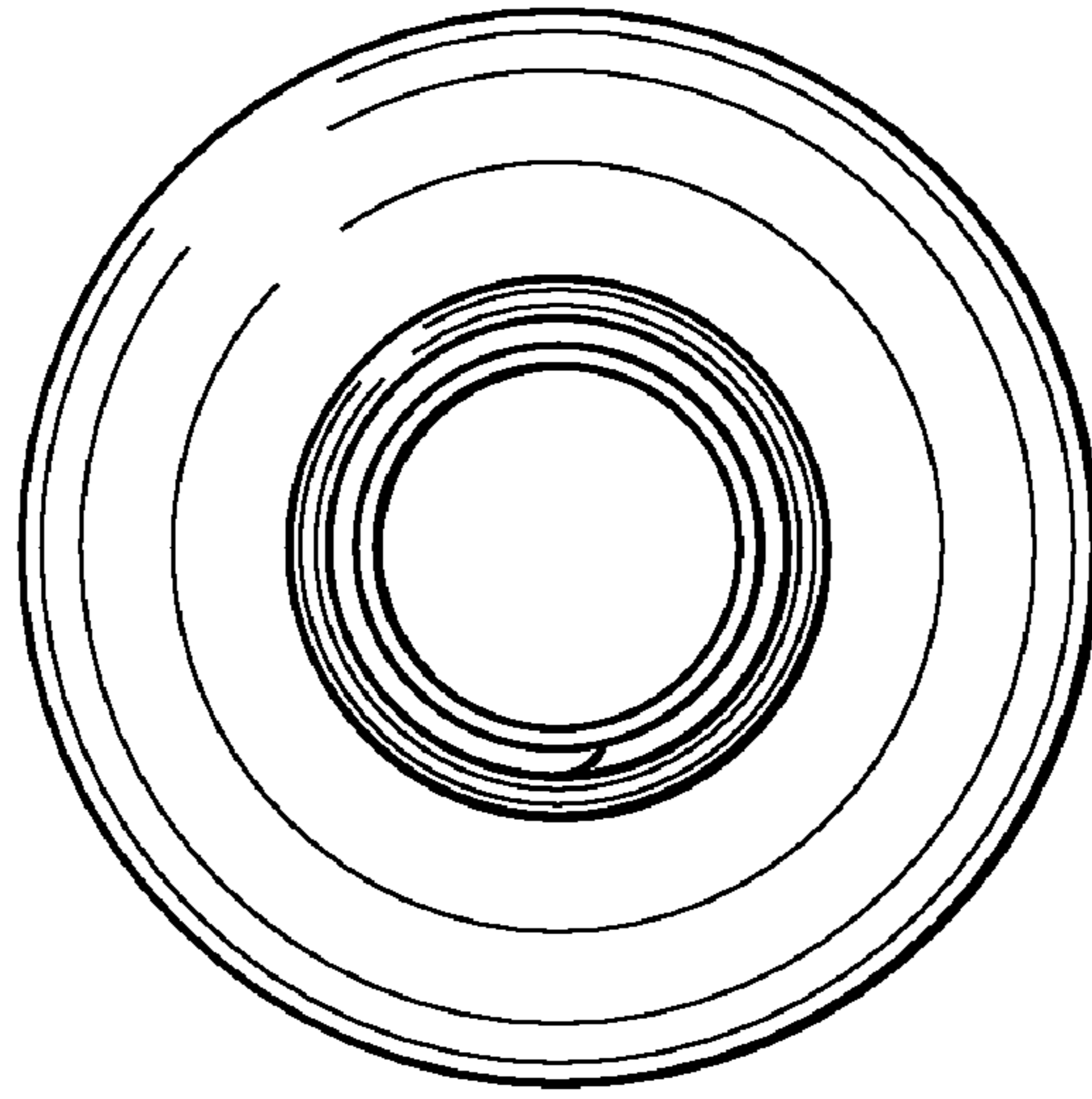


Fig. 7

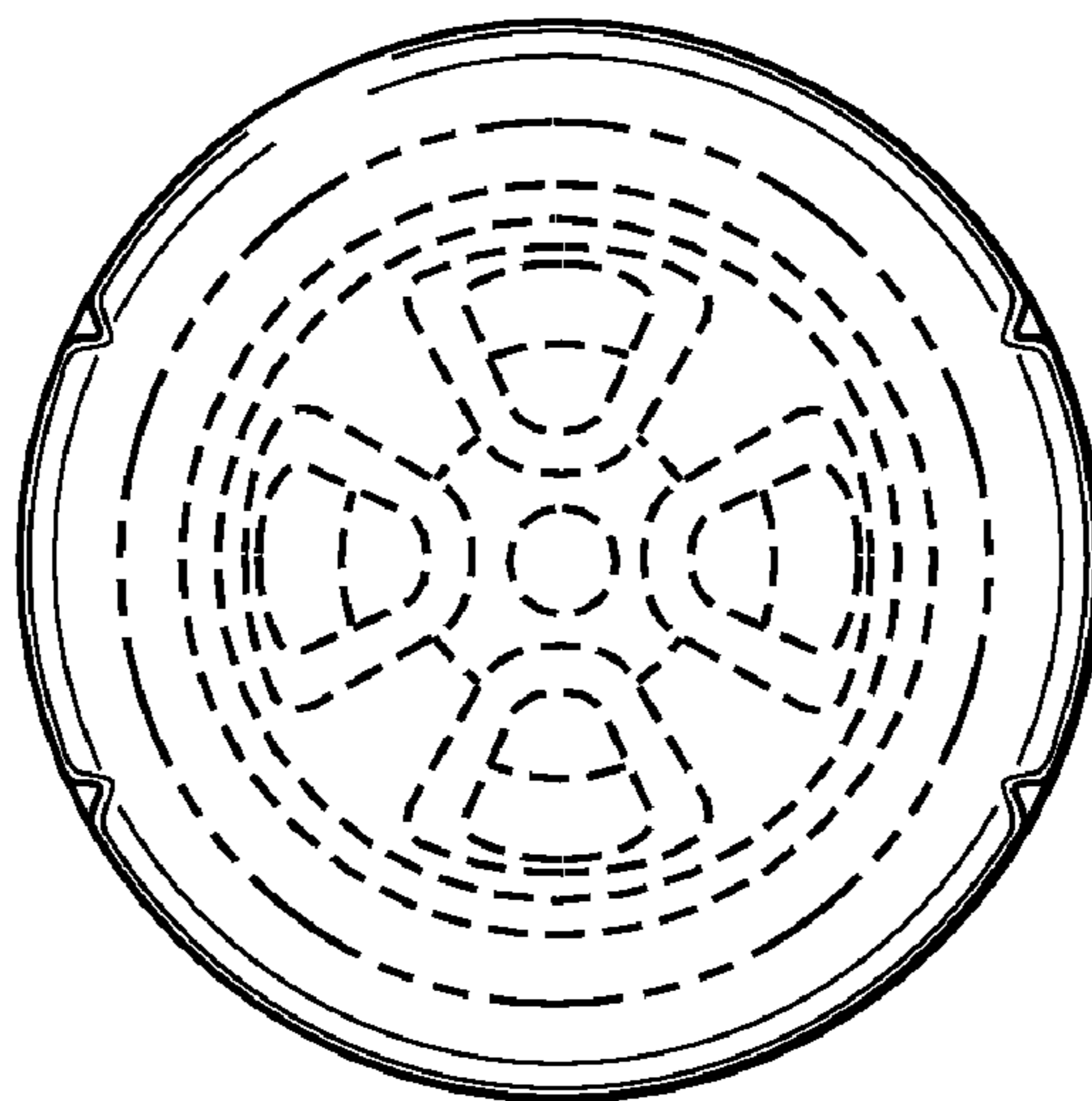


Fig. 8

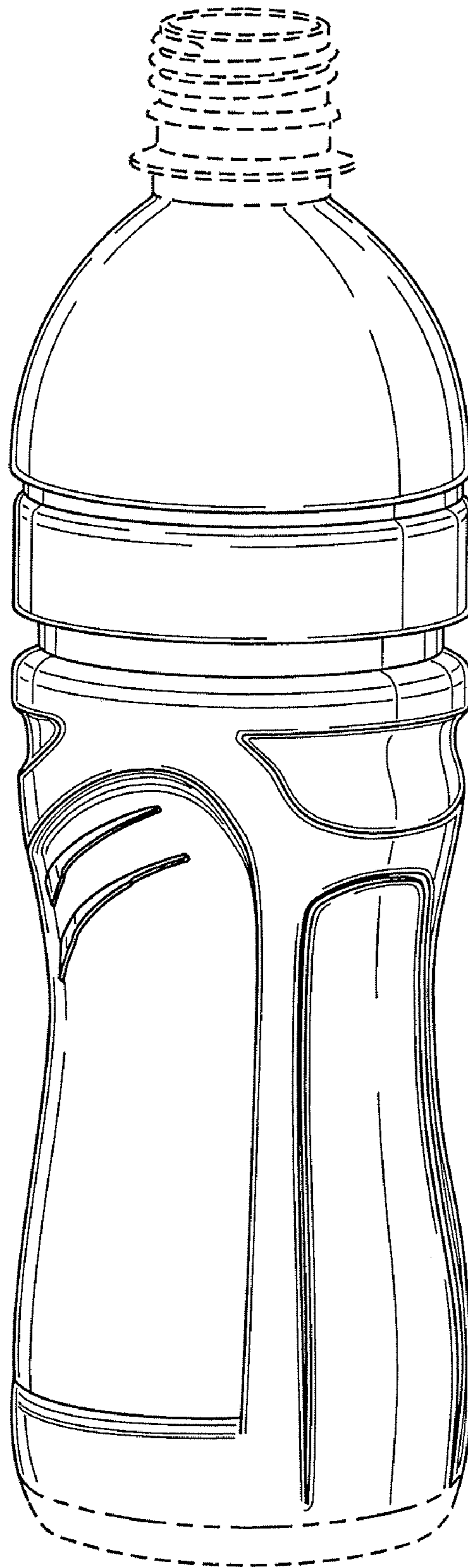


Fig. 9

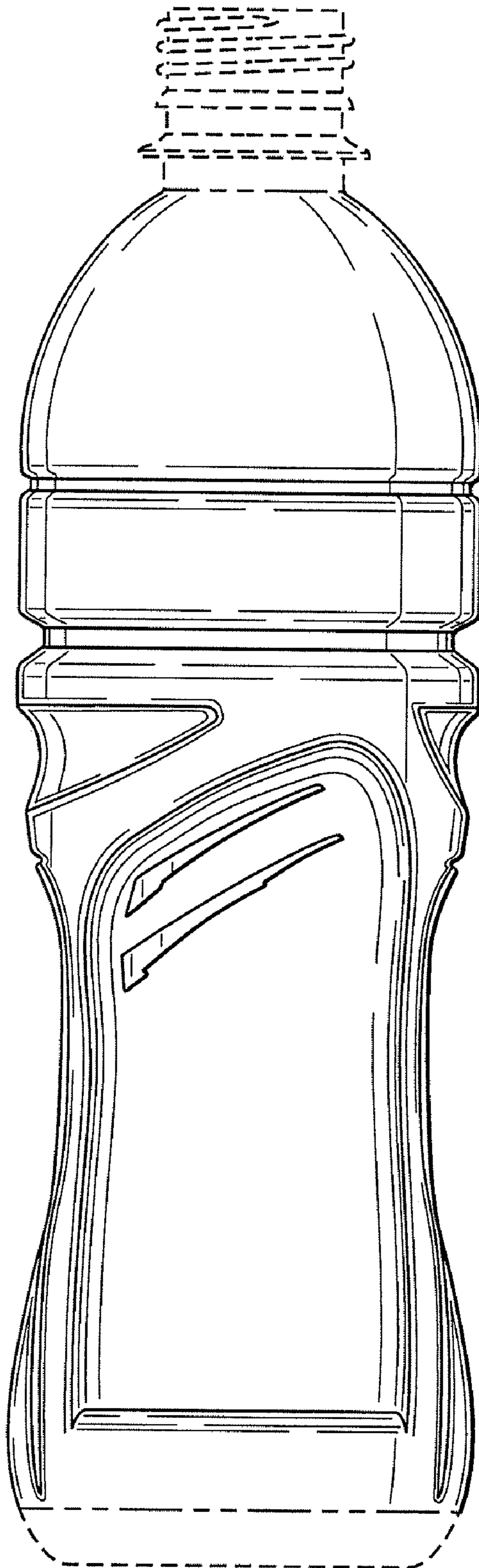


Fig. 10

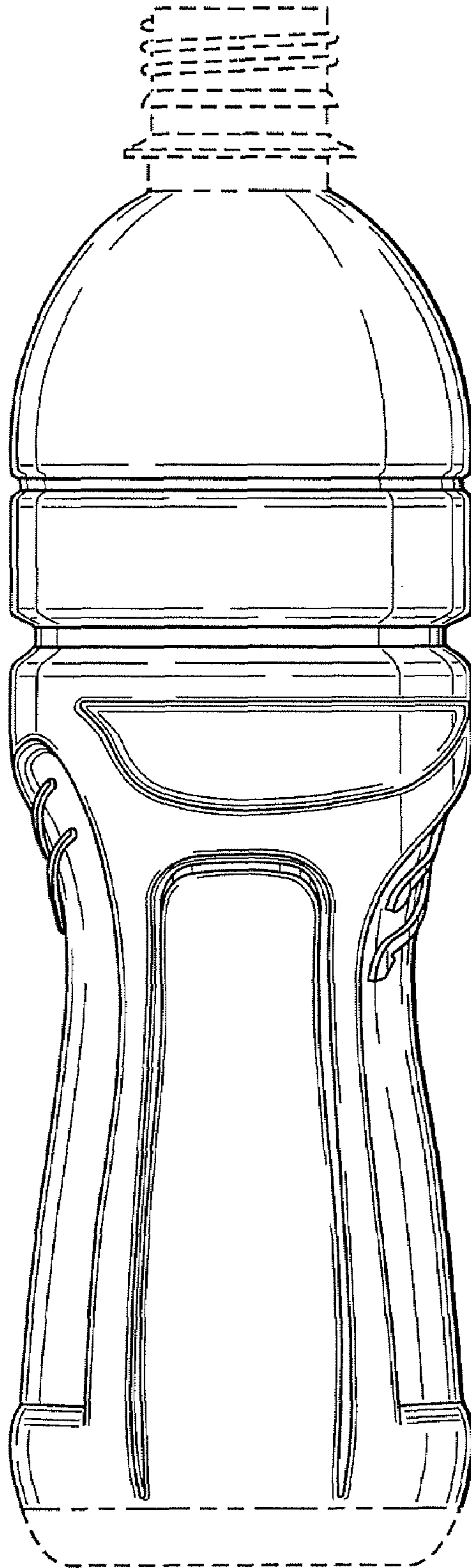


Fig. 11

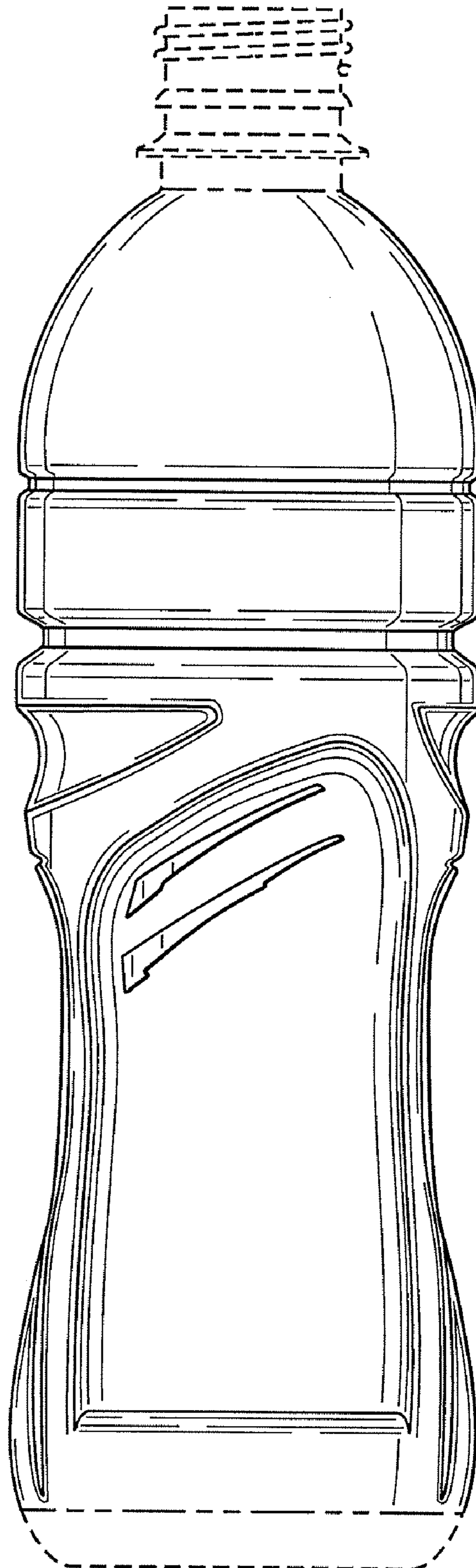


Fig. 12

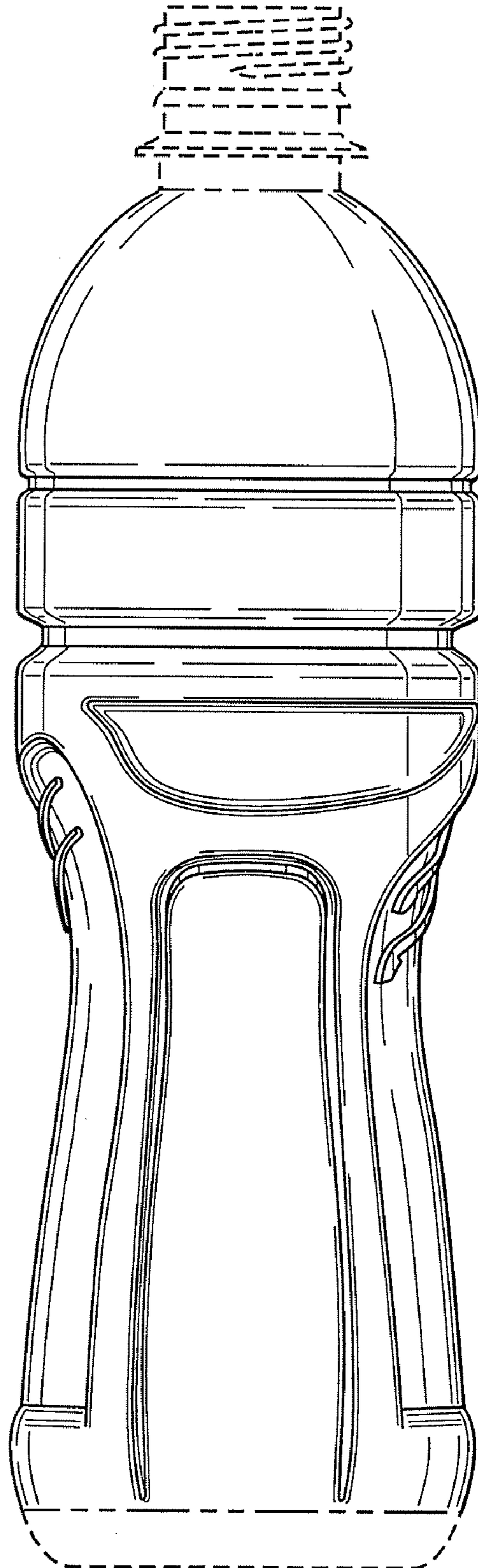


Fig. 13

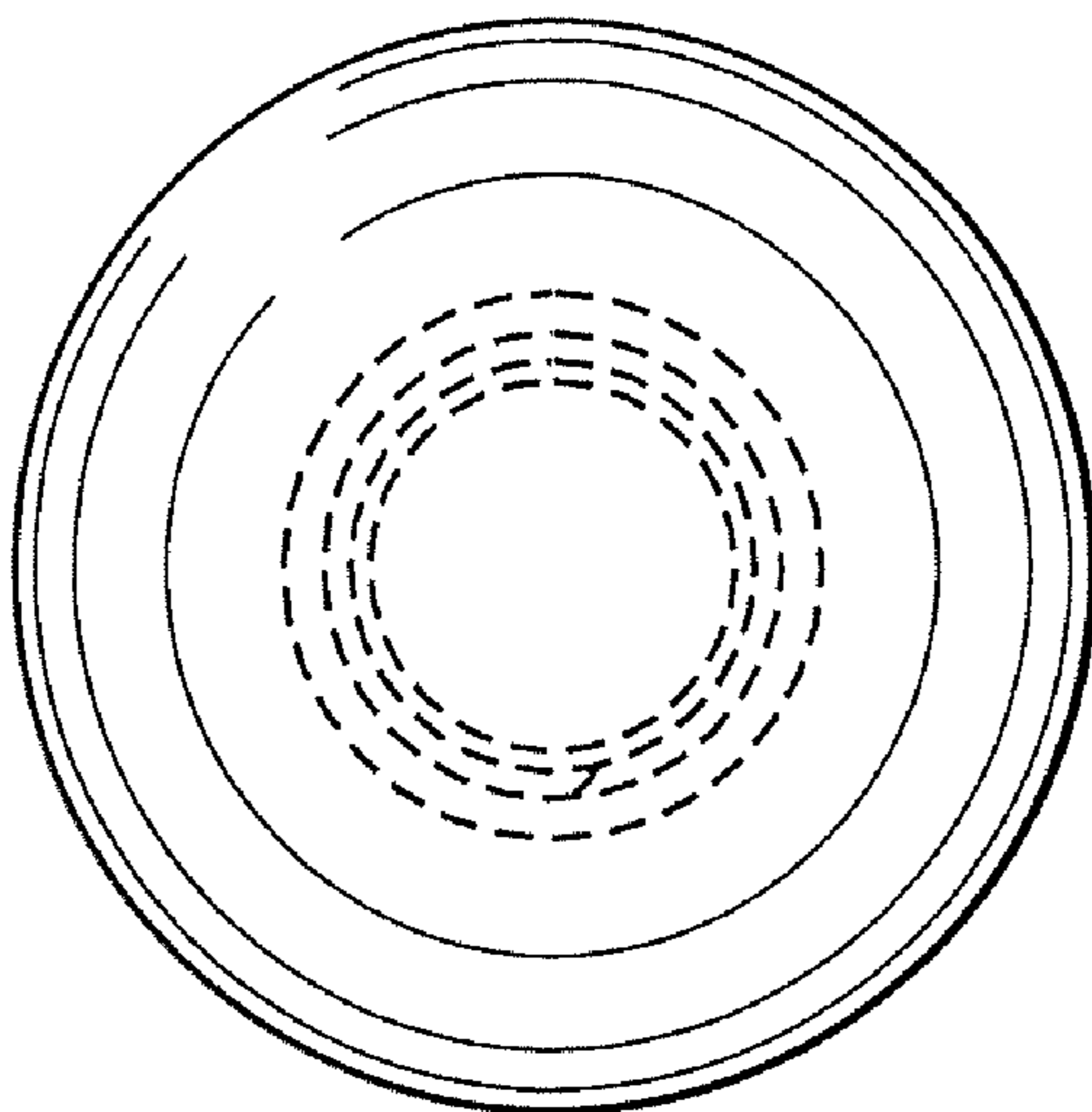


Fig. 14

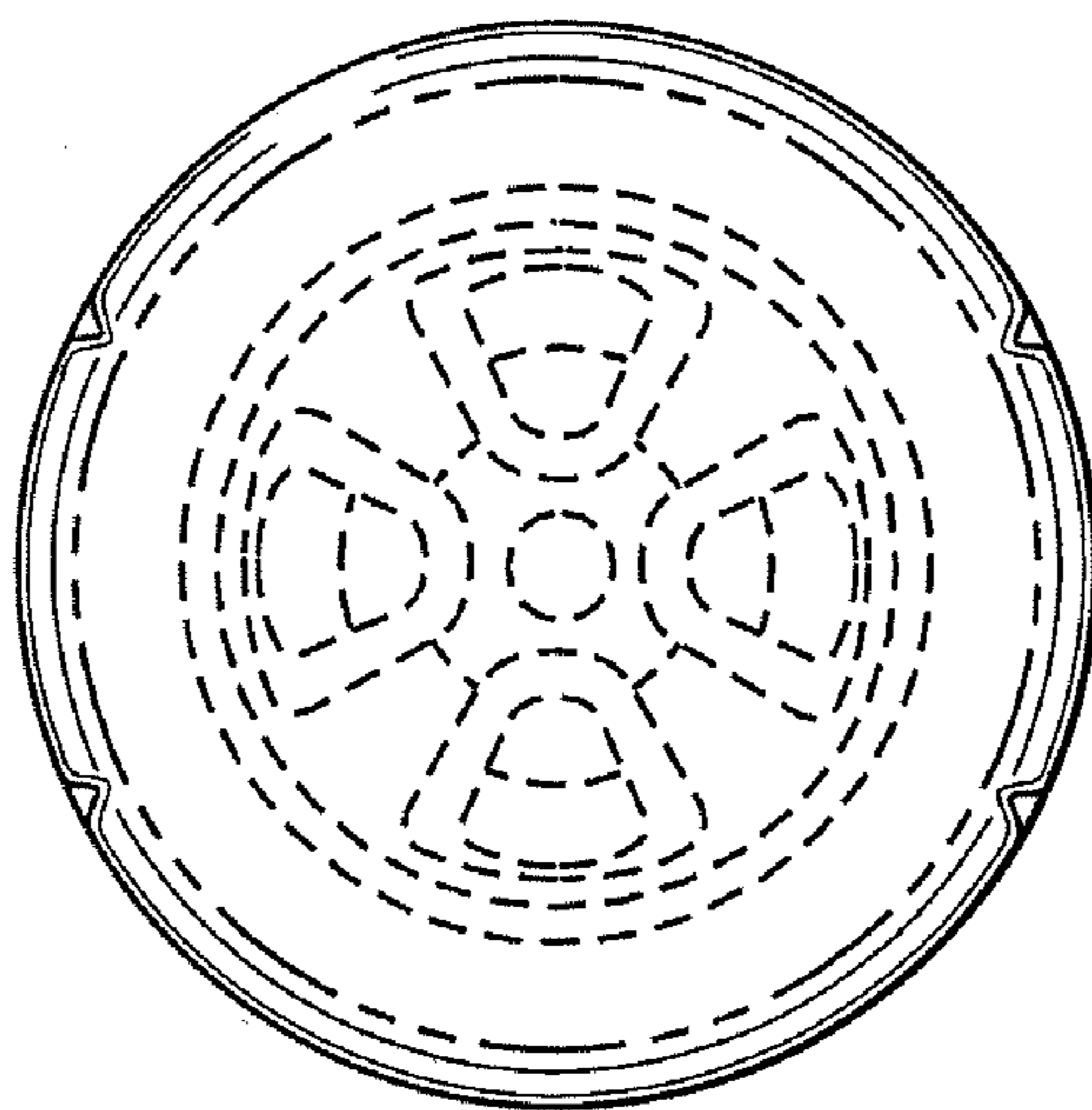


Fig. 15

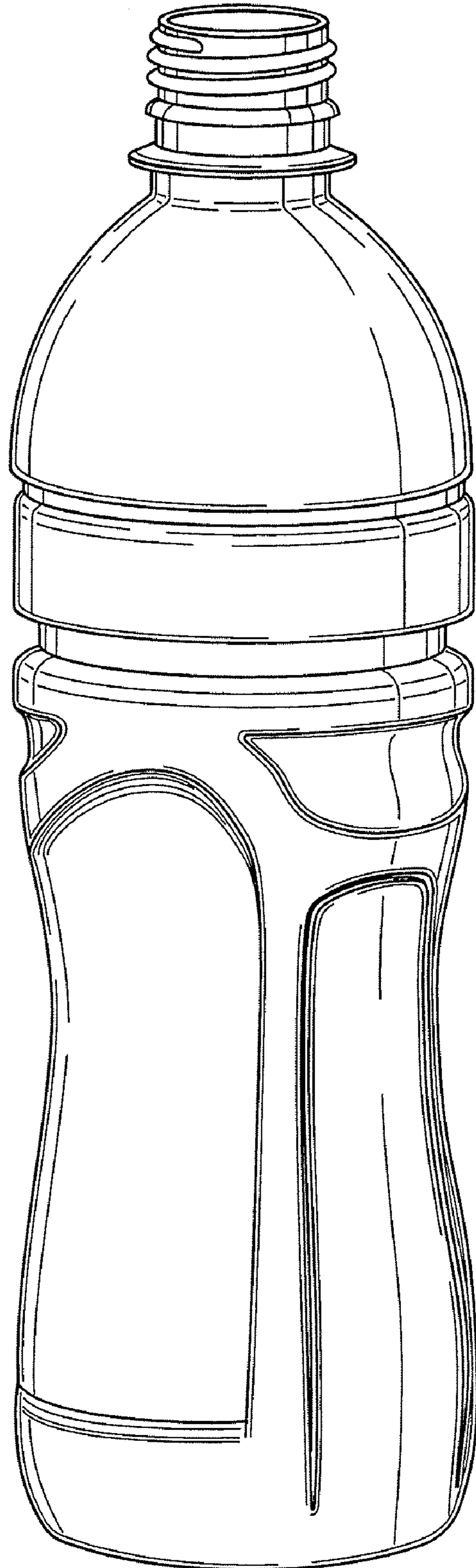


Fig. 16

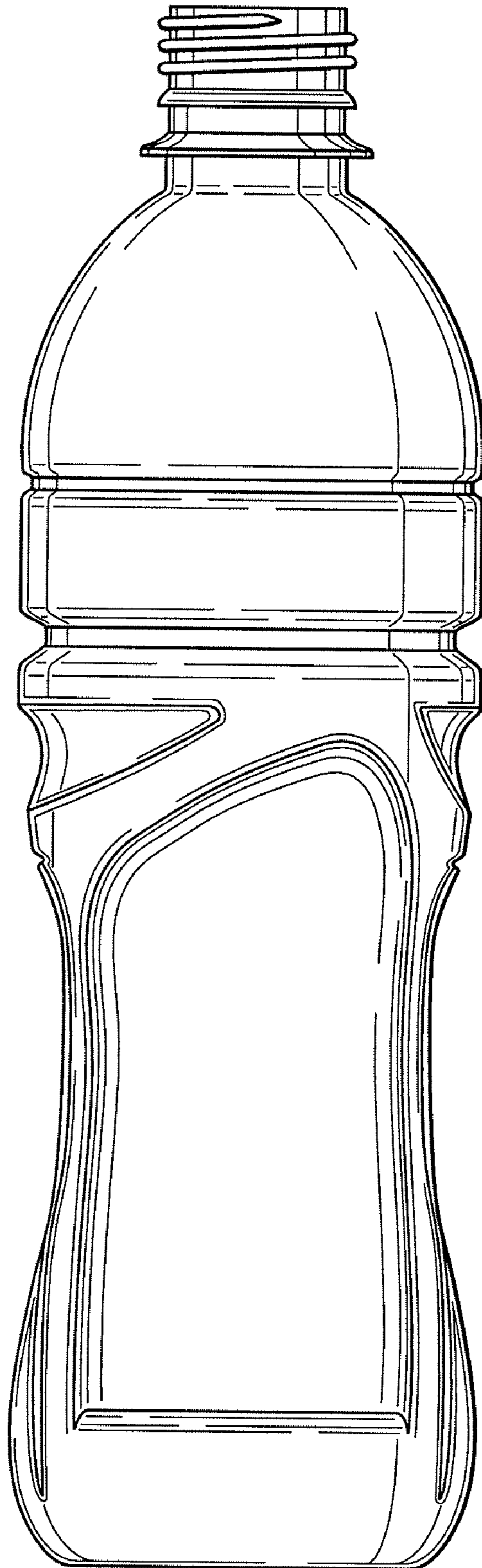


Fig. 17

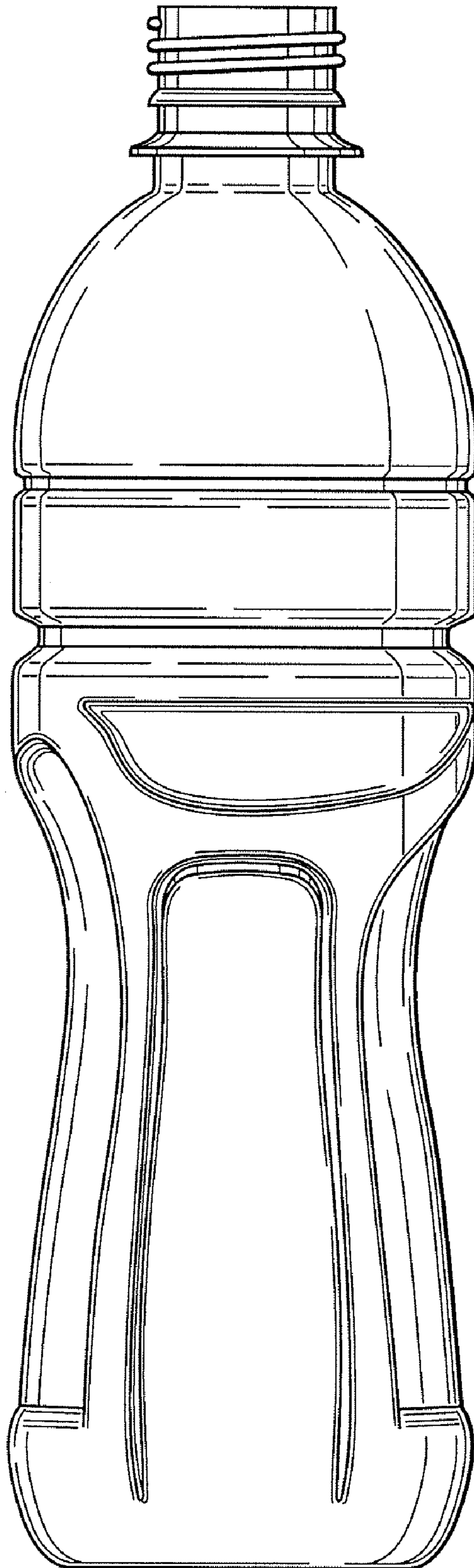


Fig. 18

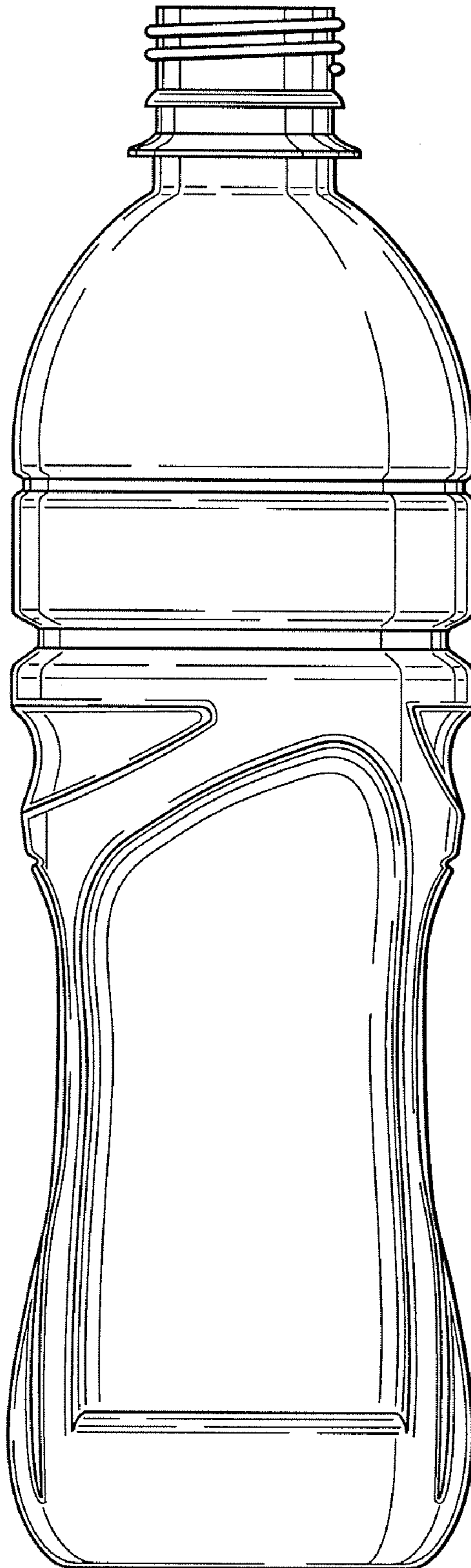


Fig. 19

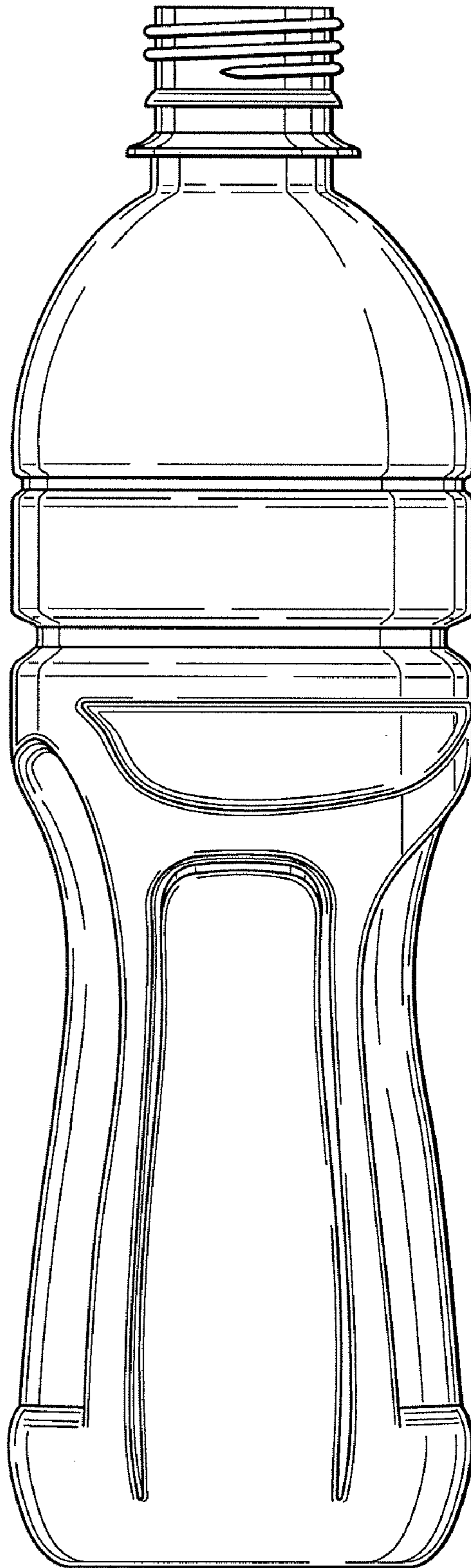


Fig. 20

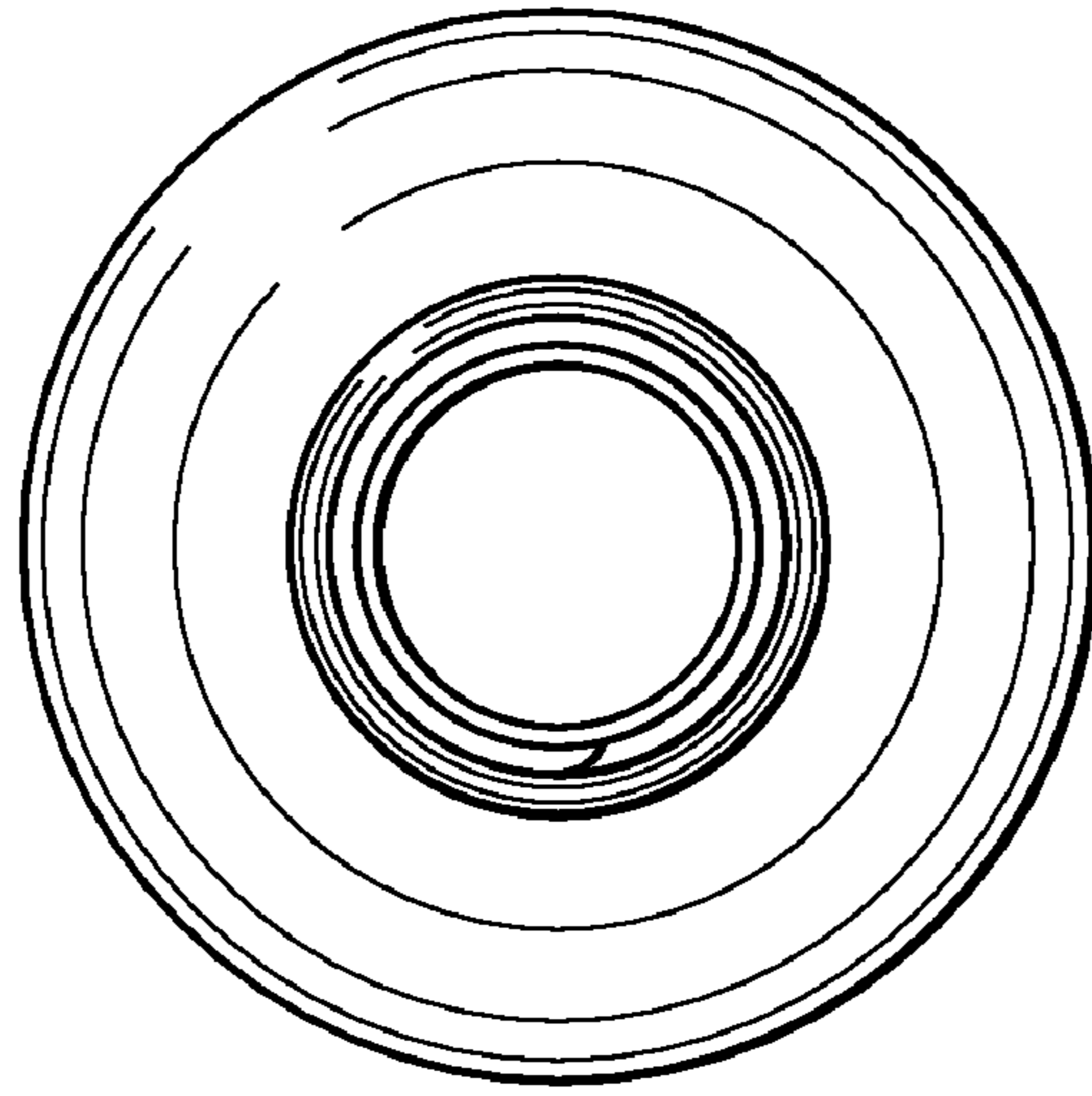


Fig. 21

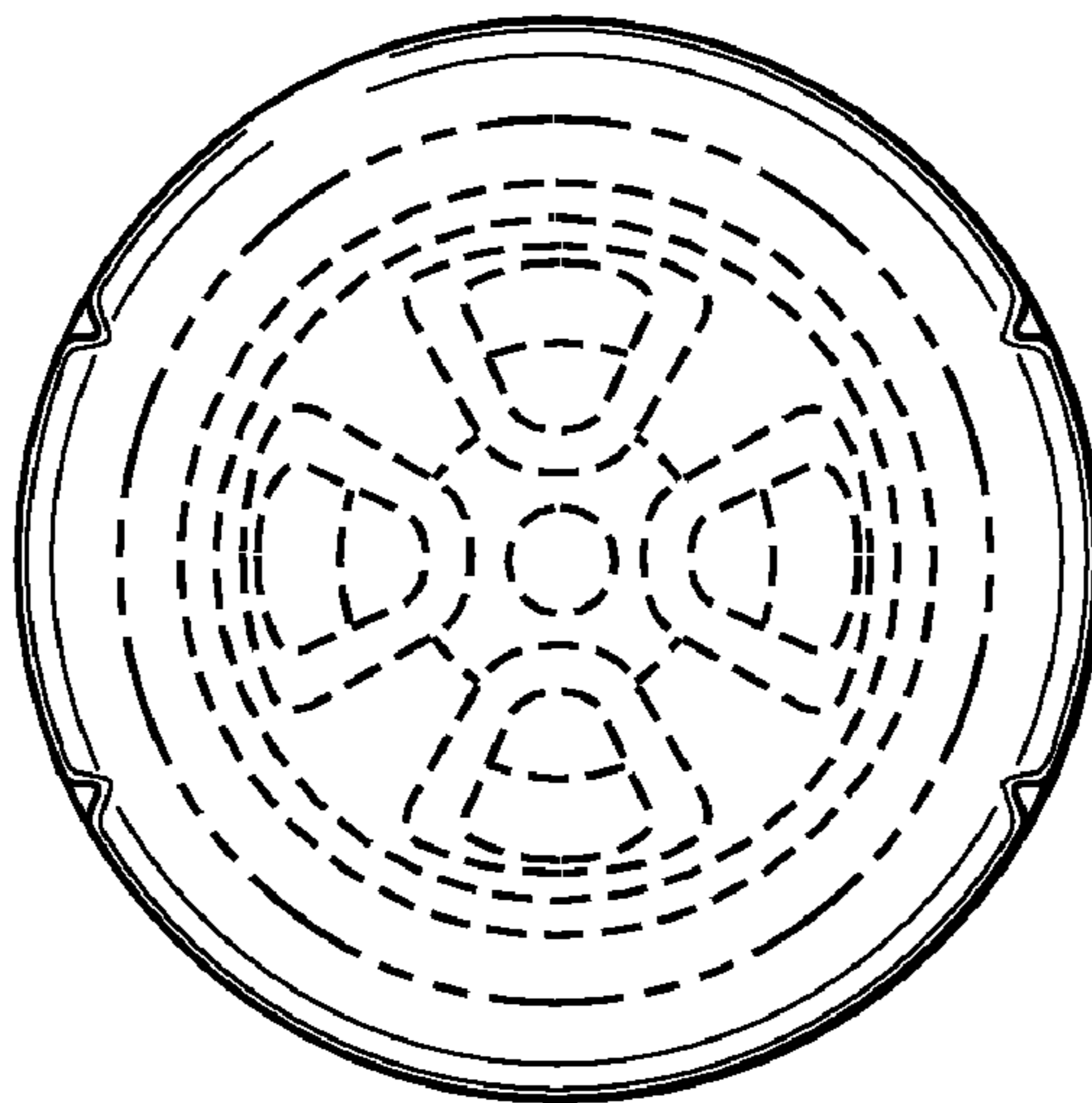


Fig. 22

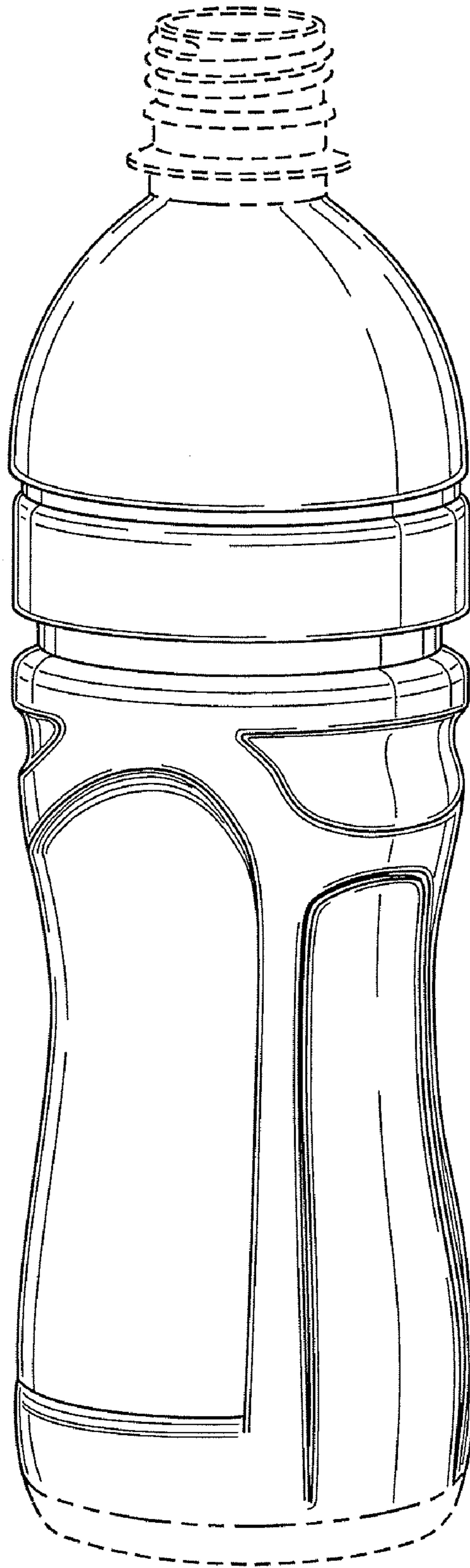


Fig. 23

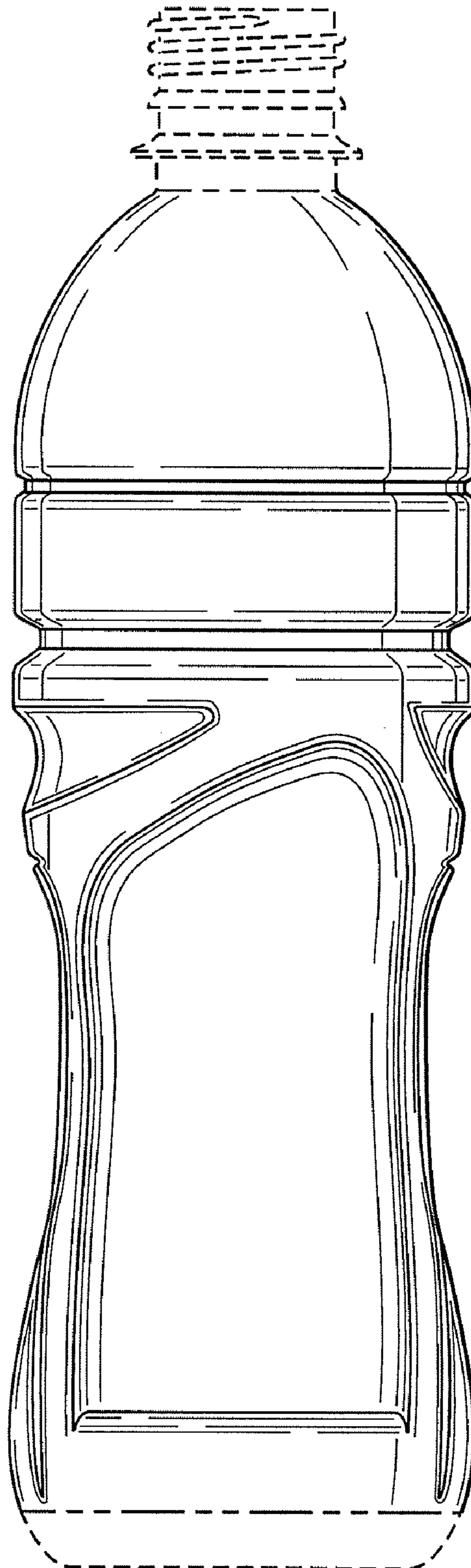


Fig. 24

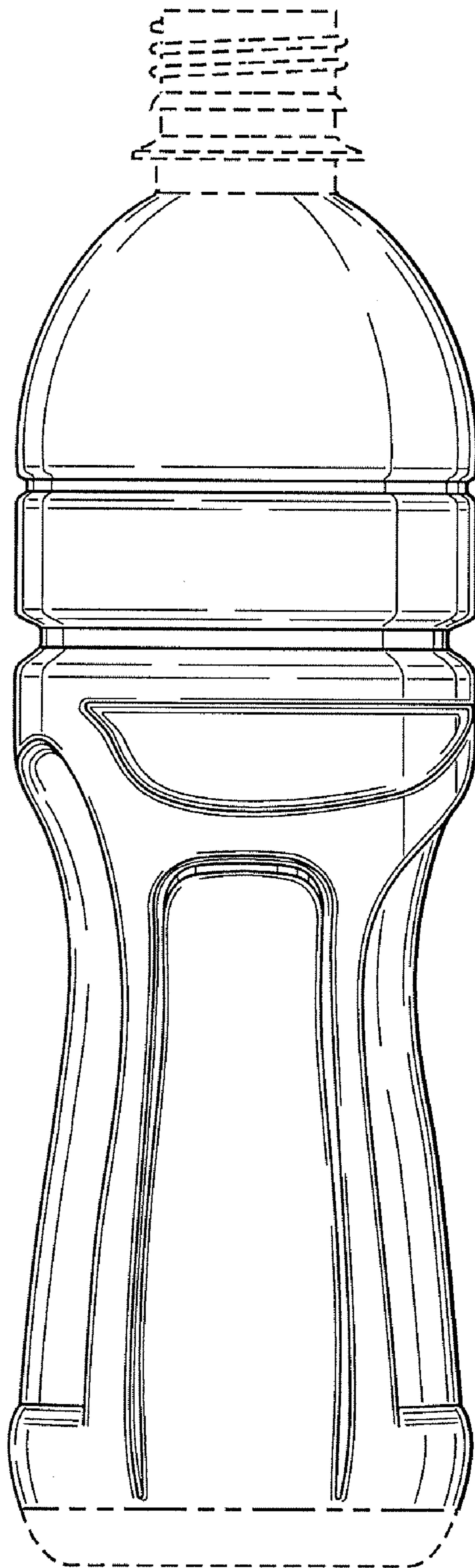


Fig. 25

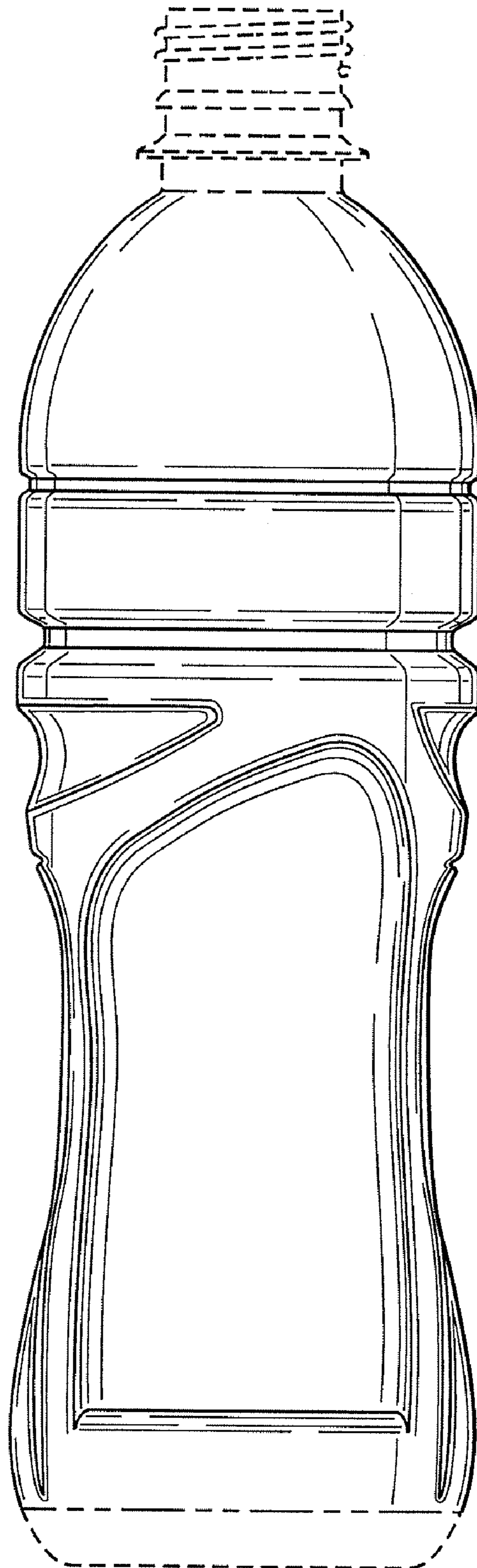


Fig. 26

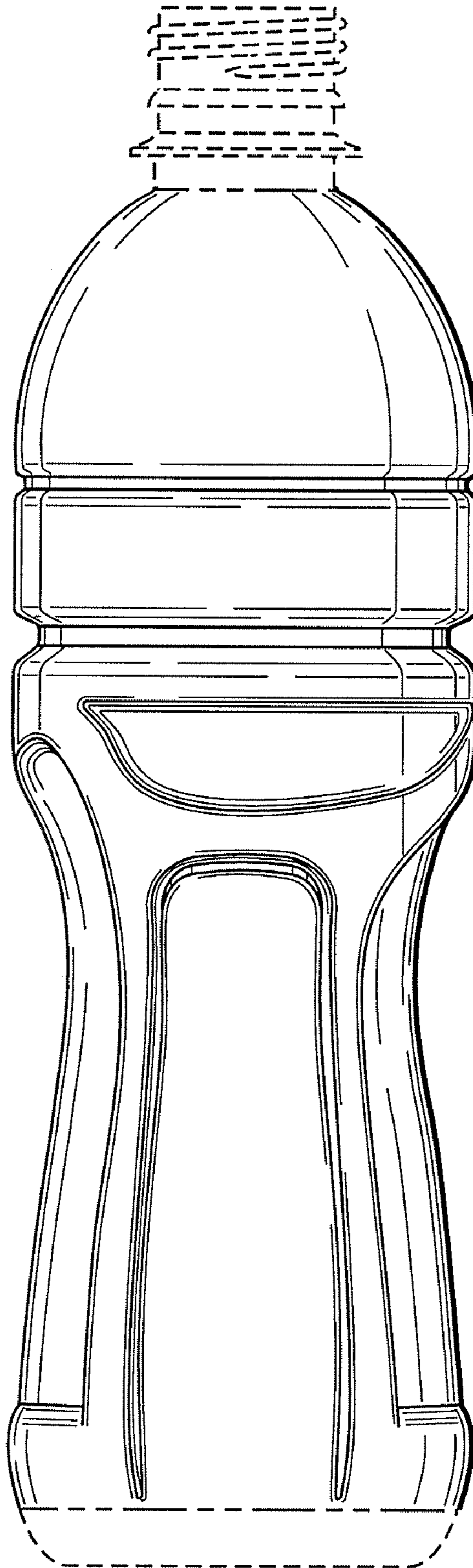


Fig. 27

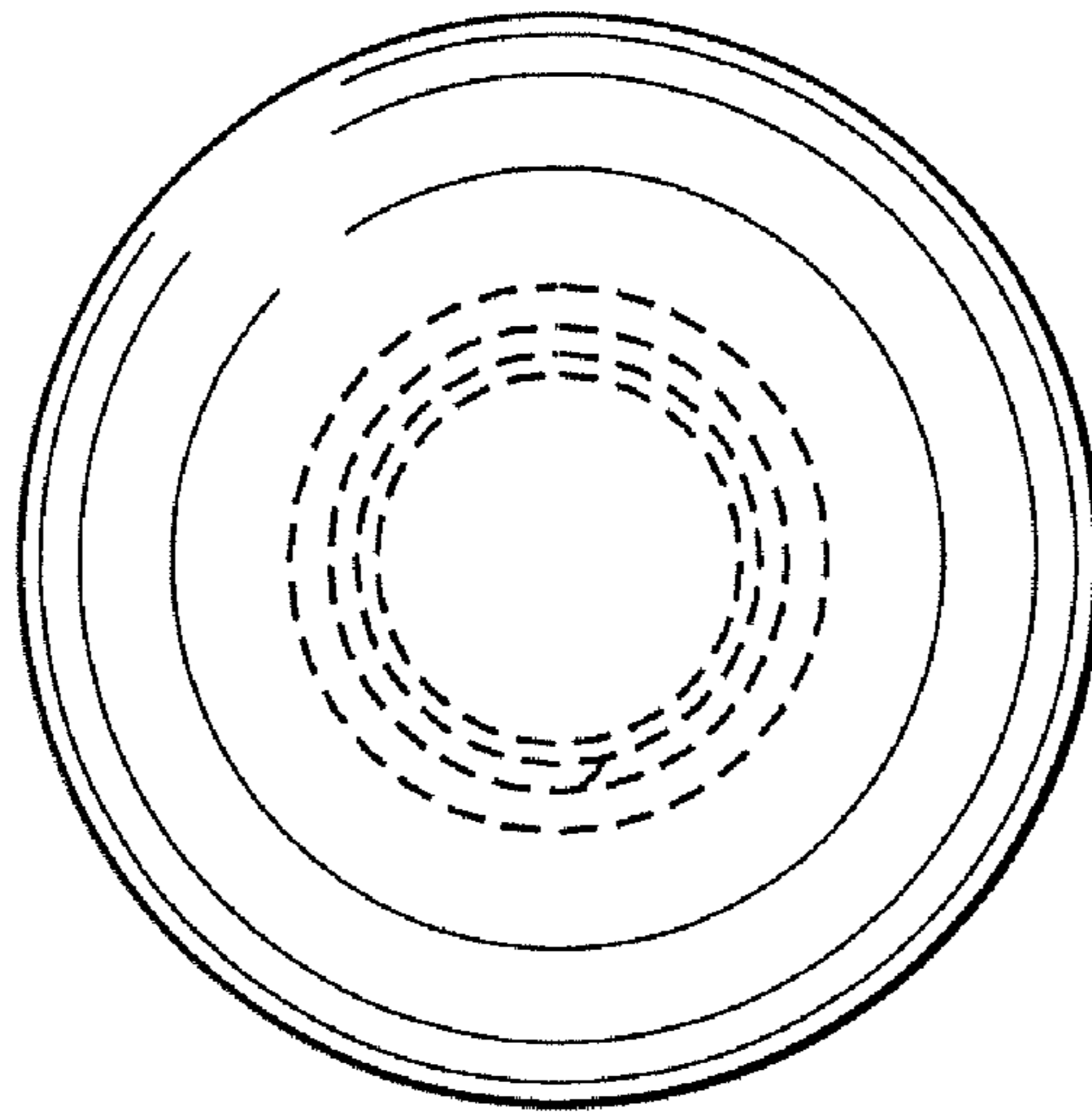


Fig. 28

