



US00D573025S

(12) **United States Design Patent**
Darr et al.

(10) **Patent No.:** **US D573,025 S**
(45) **Date of Patent:** **** Jul. 15, 2008**

(54) **CONTAINER BODY PORTION**

(75) Inventors: **Richard C. Darr**, Medina, OH (US);
Edward V. Morgan, Northville, MI
(US)

(73) Assignee: **Plastipak Packaging, Inc.**, Plymouth,
MI (US)

(**) Term: **14 Years**

(21) Appl. No.: **29/295,722**

(22) Filed: **Oct. 4, 2007**

(51) **LOC (8) Cl.** **09-01**

(52) **U.S. Cl.** **D9/516; D9/542; D9/549**

(58) **Field of Classification Search** D9/516,
D9/682, 686, 688, 689, 690, 691, 723, 724,
D9/522, 529, 530, 537, 538, 539, 540, 541,
D9/542, 543, 549, 552, 556, 557, 558, 559,
D9/551, 564, 565, 569, 570, 574, 575; 215/381-385,
215/396, 398

See application file for complete search history.

(56) **References Cited**

U.S. PATENT DOCUMENTS

D169,111 S *	3/1953	Smith	D9/542
D218,150 S *	7/1970	Noyes	D9/523
D412,281 S *	7/1999	Lindsay et al.	D9/500
D421,910 S *	3/2000	Warner et al.	D9/520
D428,813 S *	8/2000	Haley	D9/500
D481,954 S *	11/2003	Potts et al.	D9/538
D496,277 S *	9/2004	Bonnet	D9/502
D500,447 S *	1/2005	Snyder	D9/542
D503,342 S *	3/2005	Perry	D9/542
D529,816 S *	10/2006	Yorn et al.	D9/668

D531,903 S *	11/2006	Haubein	D9/500
D547,195 S *	7/2007	Yourist et al.	D9/539
D547,200 S *	7/2007	Bourne	D9/668
D549,105 S *	8/2007	Lepoitevin	D9/649
D552,477 S *	10/2007	Hermel	D9/538
D561,036 S *	2/2008	Boon et al.	D9/538

* cited by examiner

Primary Examiner—Stella M. Reid

Assistant Examiner—Elizabeth J Oswecki

(74) *Attorney, Agent, or Firm*—Dykema Gossett PLLC

(57) **CLAIM**

The ornamental design for a container body portion, as shown and described.

DESCRIPTION

FIG. 1 is a perspective view of a first embodiment of a container body portion showing my new design;

FIG. 2 is a front elevational view thereof, the rear elevational view being a mirror image thereof;

FIG. 3 is a top plan view thereof;

FIG. 4 is a bottom plan view thereof;

FIG. 5 is a perspective view of a second embodiment of a container body portion showing my new design;

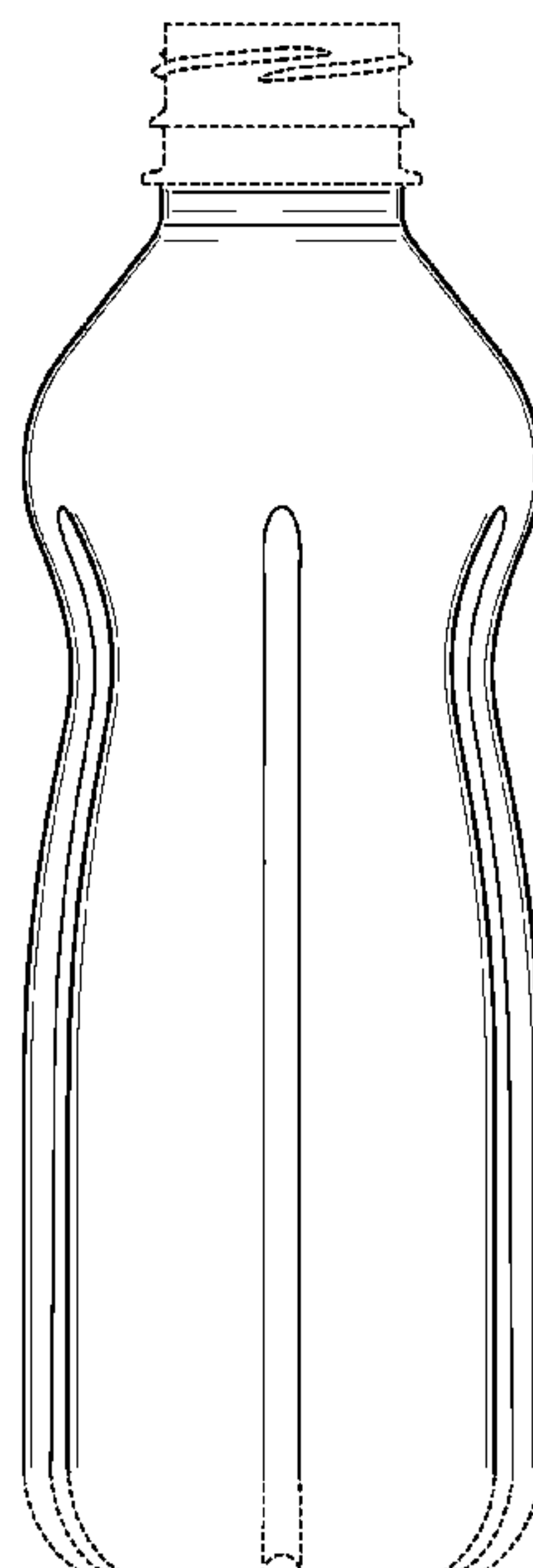
FIG. 6 is a front elevational view thereof, the rear elevational view being a mirror images thereof;

FIG. 7 is a top plan view thereof; and,

FIG. 8 is a bottom plan view thereof.

The broken lines shown in the drawings are for illustrative purposes only and do not form a part of the claimed design.

1 Claim, 6 Drawing Sheets



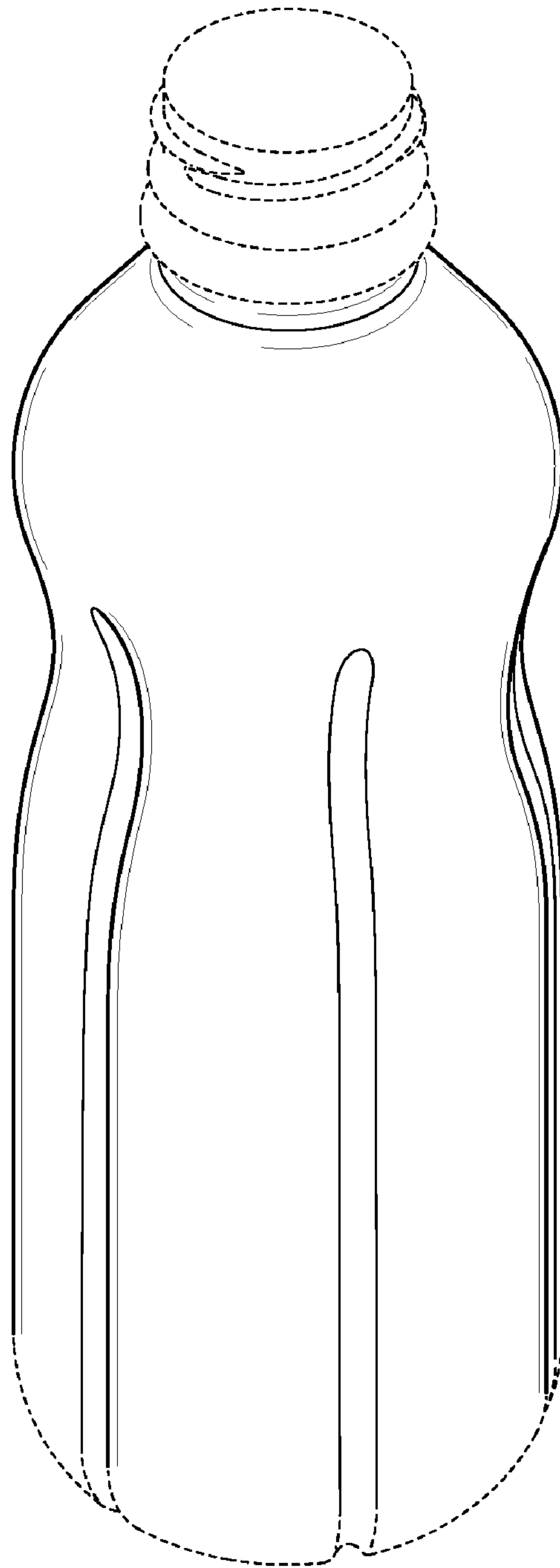


FIG. 1

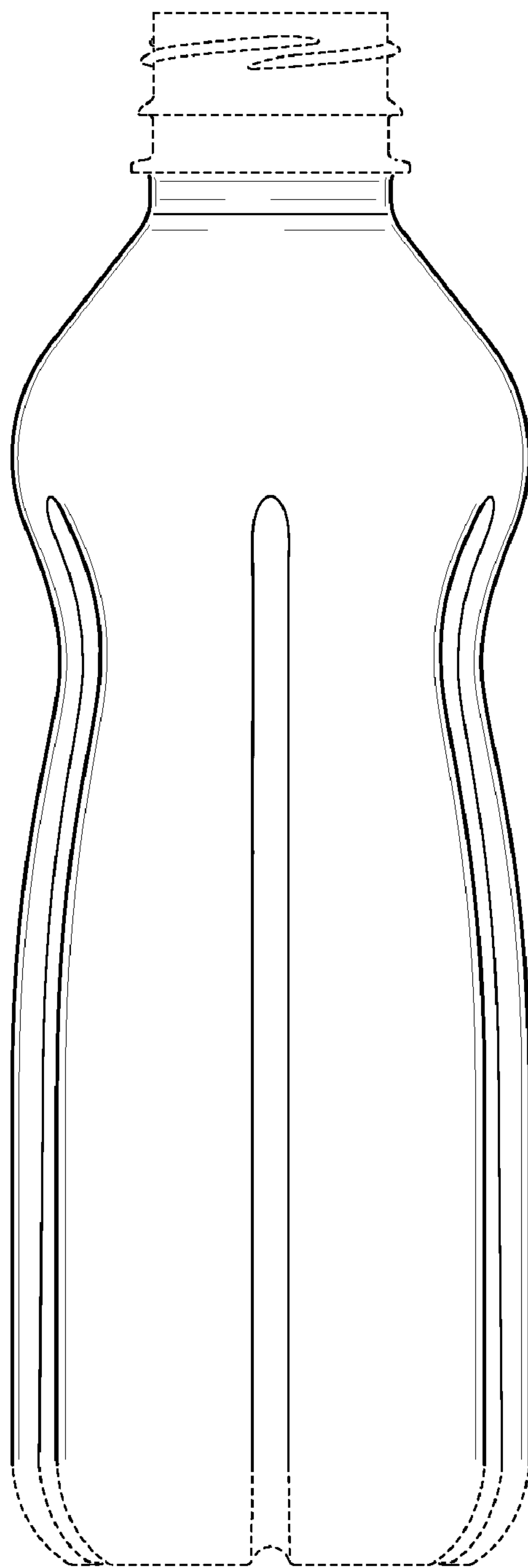


FIG. 2

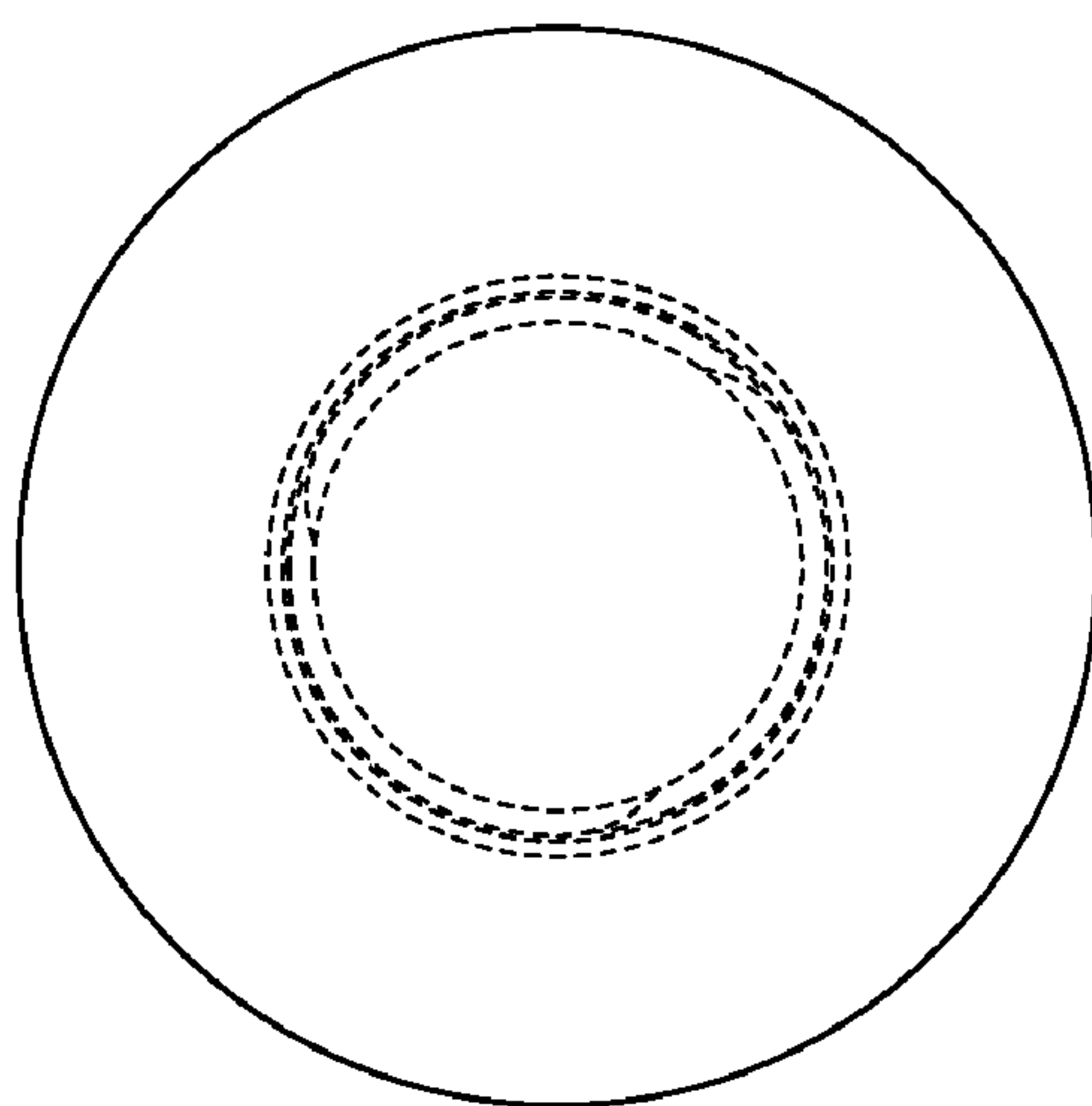


FIG. 3

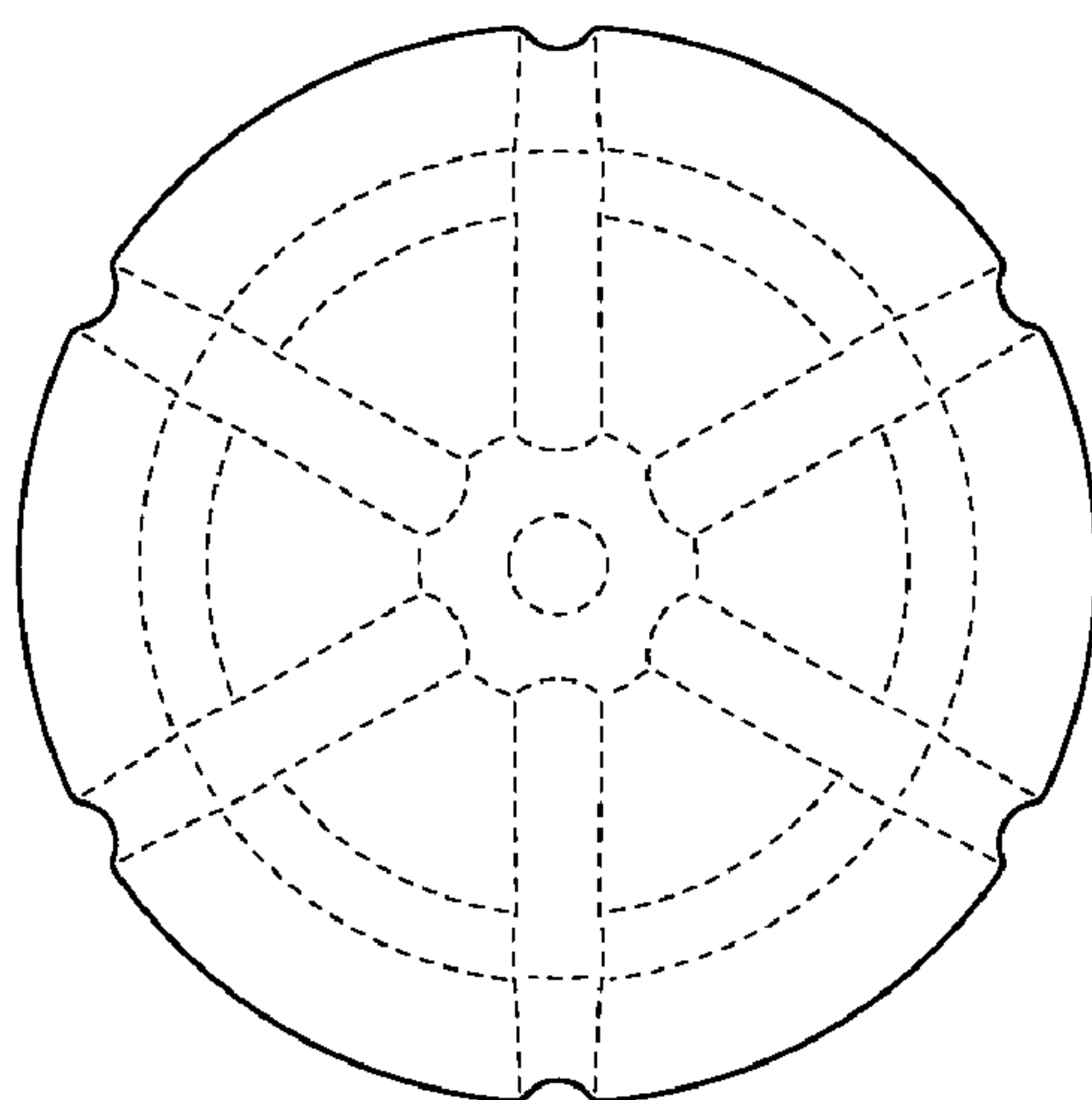


FIG. 4

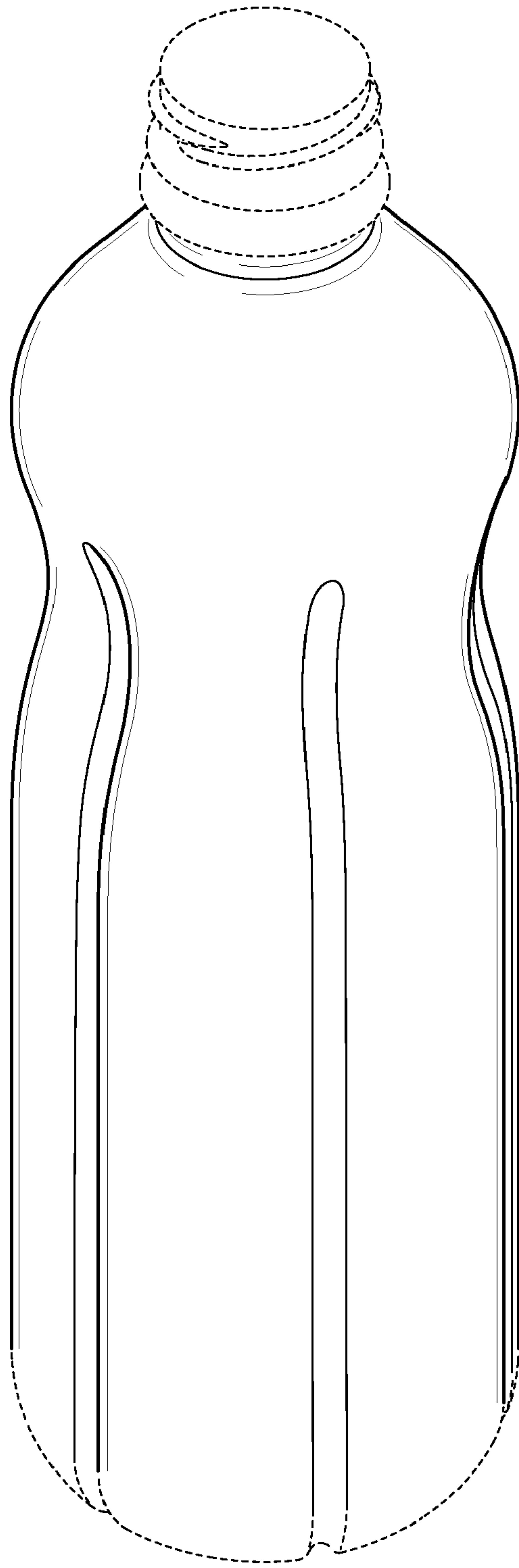


FIG. 5

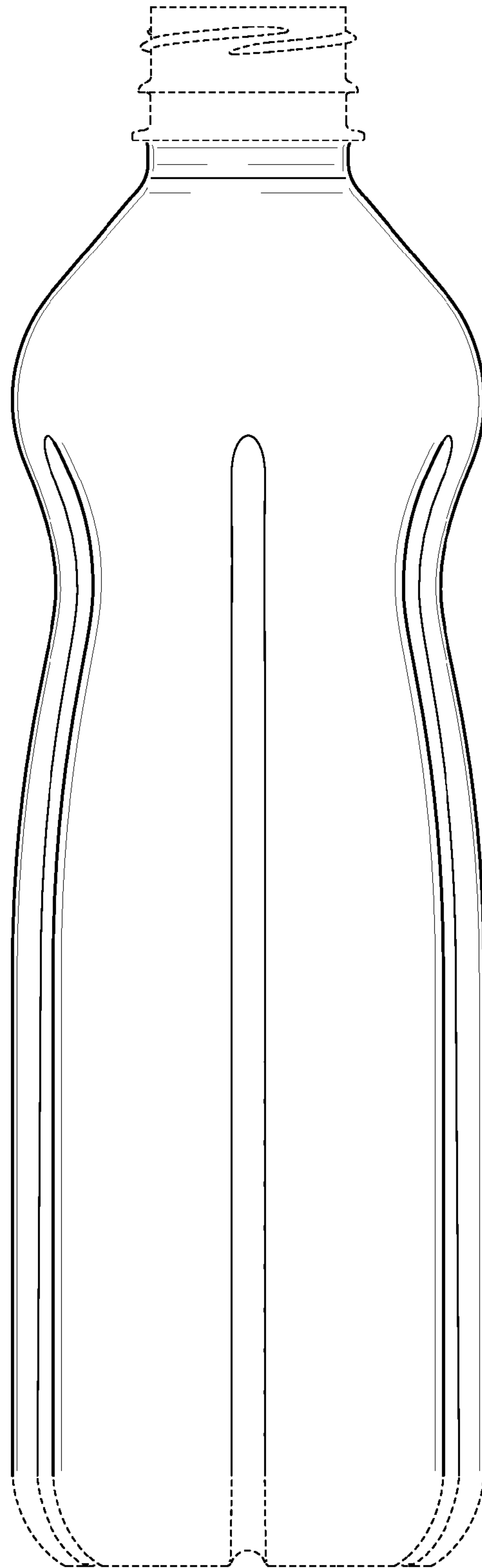


FIG. 6

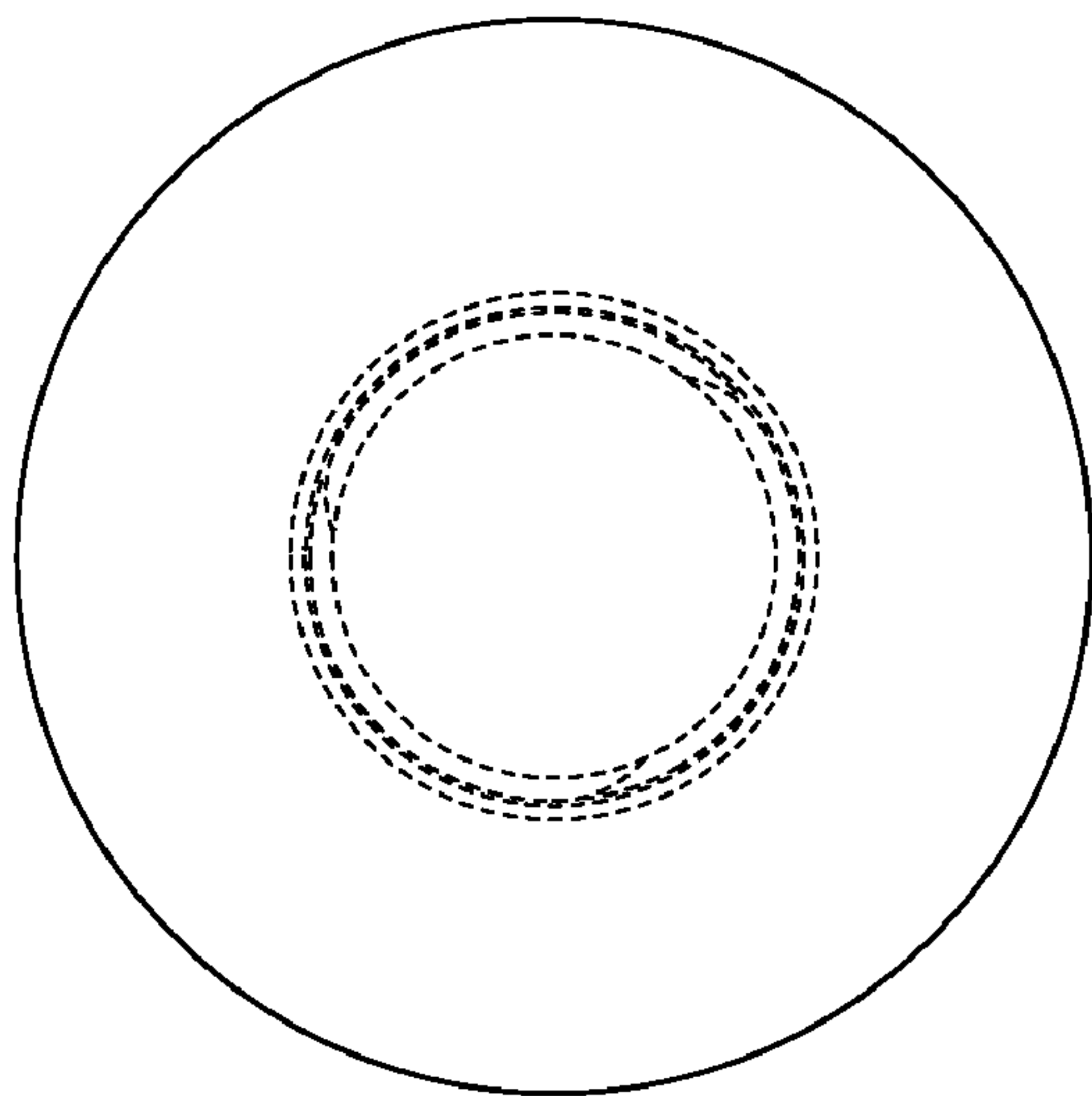


FIG. 7

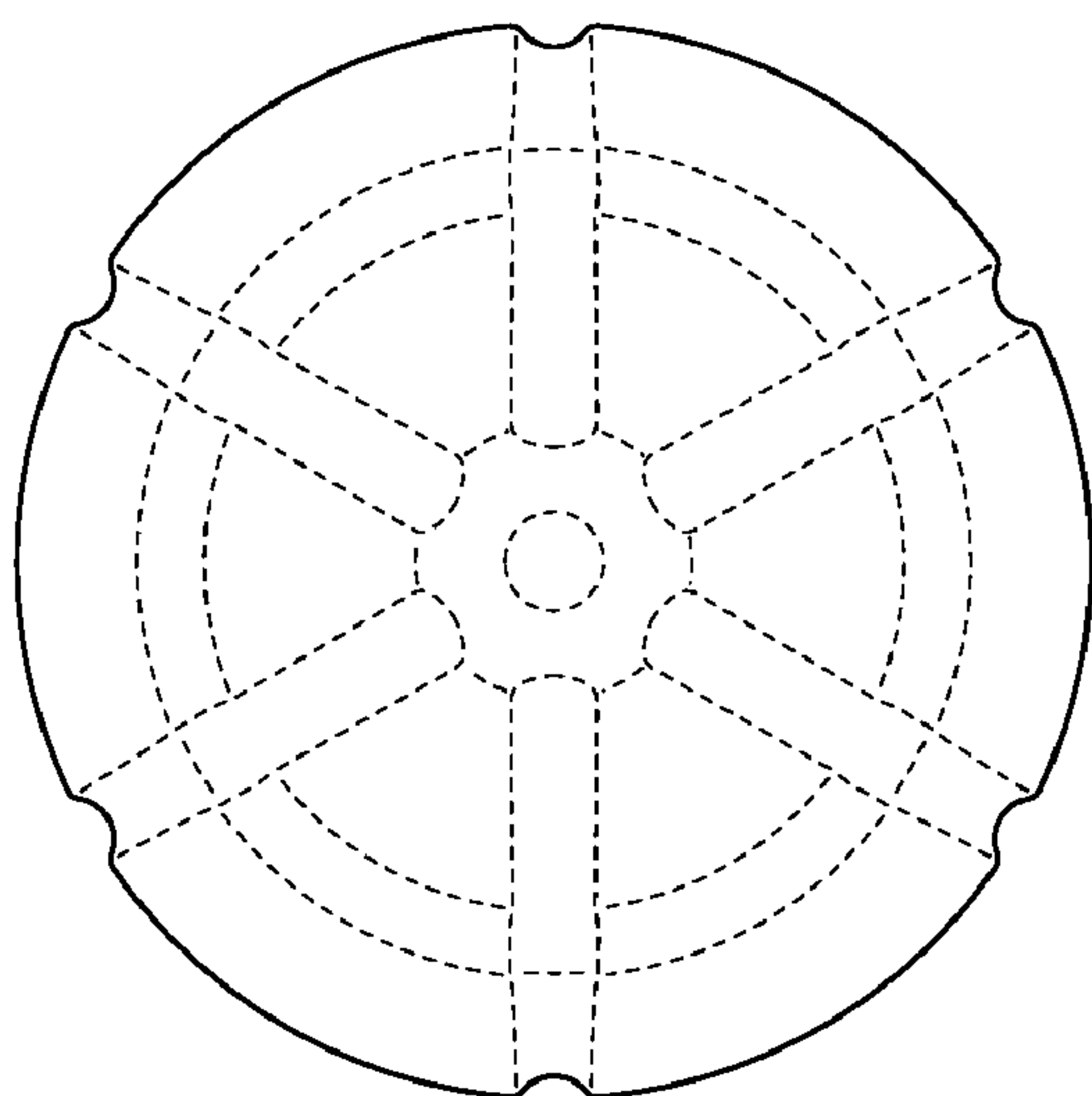


FIG. 8