



US00D573023S

(12) **United States Design Patent**
Pivert

(10) **Patent No.:** **US D573,023 S**
(45) **Date of Patent:** **** Jul. 15, 2008**

- (54) **BOTTLE**
- (75) Inventor: **Erwann Pivert**, Paris (FR)
- (73) Assignee: **Societe Anonyme des Eaux Minerales d'Evian**, Evian les Bains (FR)
- (**) Term: **14 Years**
- (21) Appl. No.: **29/280,740**
- (22) Filed: **Jun. 6, 2007**

Primary Examiner—Ian Simmons
Assistant Examiner—Dana L Sipos
 (74) *Attorney, Agent, or Firm*—Hughes Hubbard & Reed LLP; Ronald Abramson; Peter A. Sullivan

(57) **CLAIM**

The ornamental design for a bottle, as shown and described.

DESCRIPTION

- (51) **LOC (8) Cl.** **09-01**
- (52) **U.S. Cl.** **D9/500; D9/520**
- (58) **Field of Classification Search** D9/500,
D9/502, 505, 516, 520, 530, 537–539, 545,
D9/549, 557–558, 562, 763–764, 772, 776–779;
215/379–385; 220/660–662, 669–675
See application file for complete search history.

- FIG. 1 is a top, front, right side perspective view of a bottle showing my new design;
- FIG. 2 is a front elevational view thereof, the rear elevational view being identical;
- FIG. 3 is a right side elevational view thereof, the left side elevational view being identical;
- FIG. 4 is a top plan view thereof, shown at an enlarged scale; and,
- FIG. 5 is a bottom plan view thereof.

(56) **References Cited**

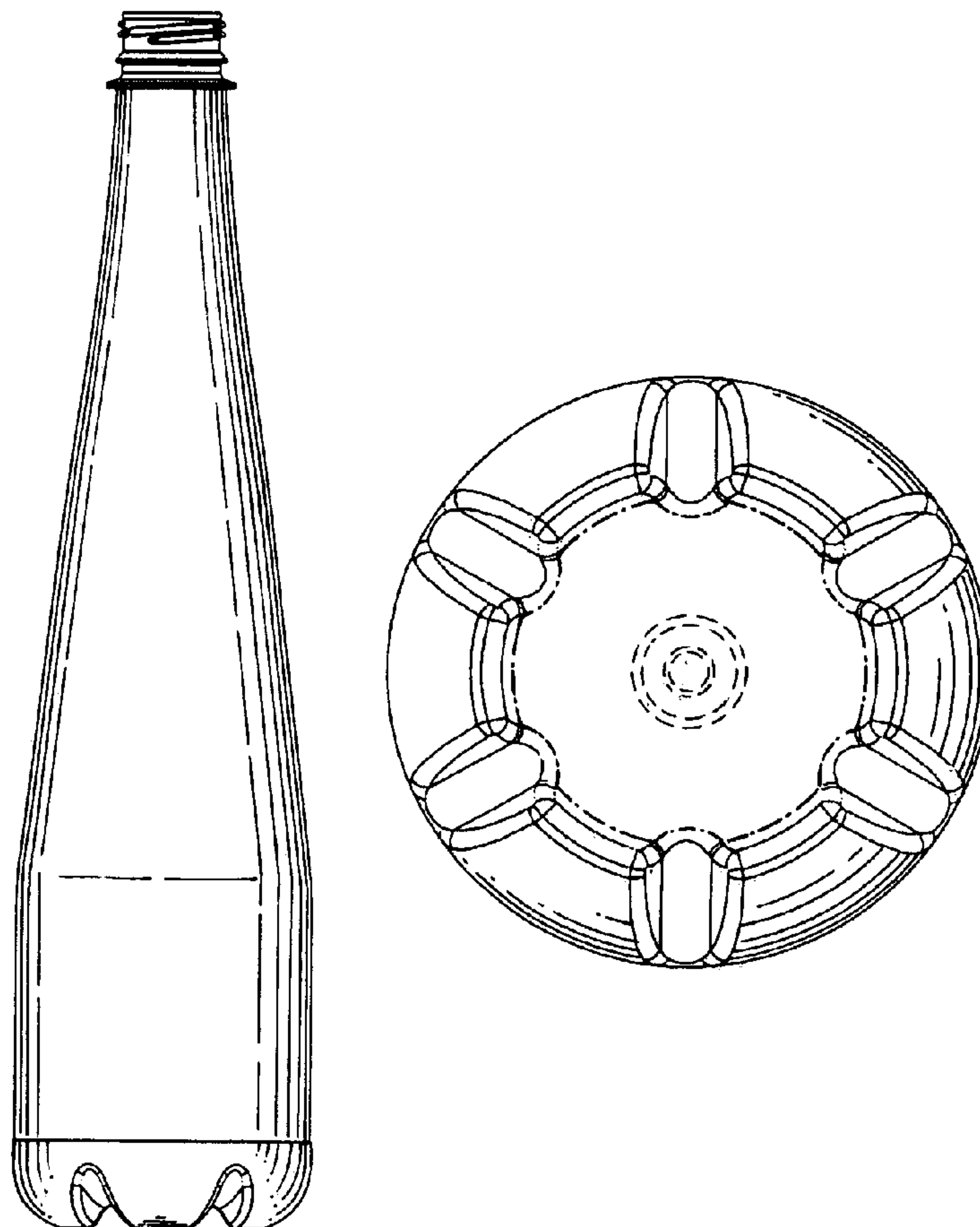
U.S. PATENT DOCUMENTS

D78,628 S *	5/1929	Kart	D9/500
D81,520 S *	7/1930	Bromiley	D9/500
D248,834 S *	8/1978	Morgan	D9/552
D351,102 S *	10/1994	Olivares et al.	D9/647
D378,275 S *	3/1997	Rusnock et al.	D9/545
D411,108 S *	6/1999	Marriage	D9/658

The dashed broken lines shown in the drawings represent unclaimed environment and are for illustrative purposes only, forming no part of the claimed design. The dot-dash broken lines define the bounds of the claim and form no part thereof.

* cited by examiner

1 Claim, 5 Drawing Sheets



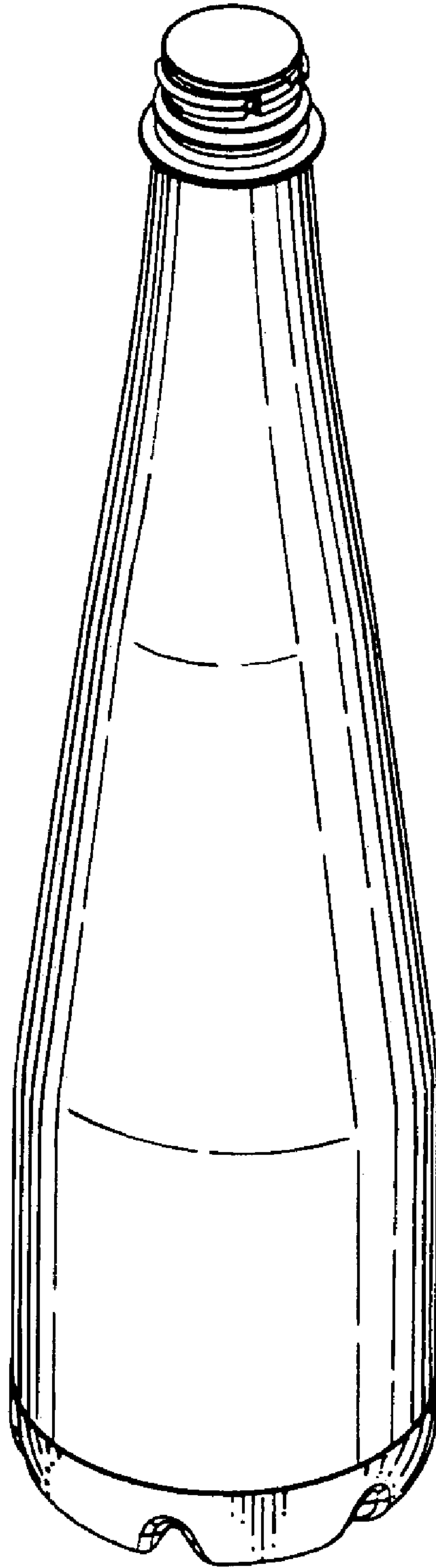


FIG. 1

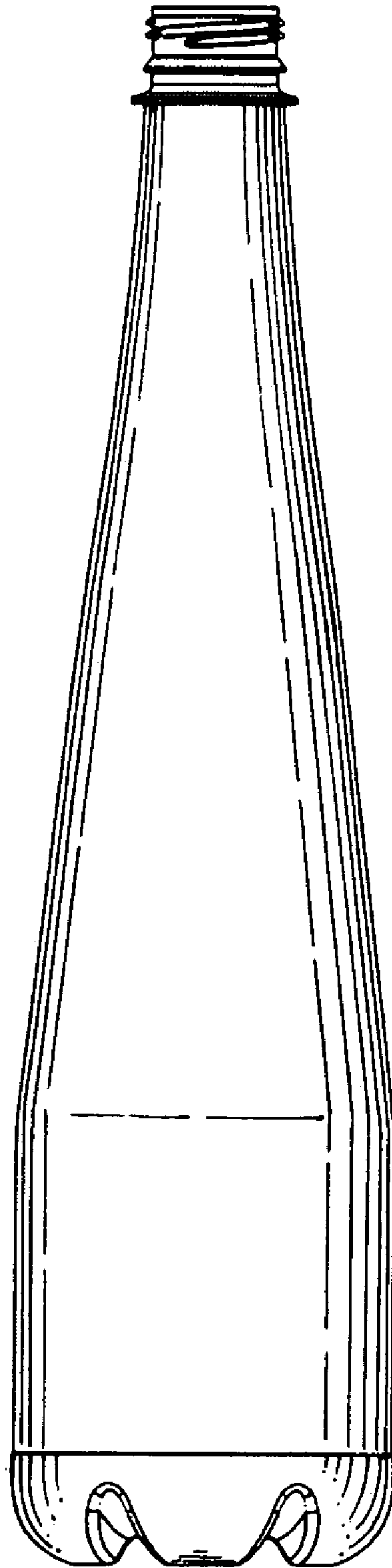


FIG. 2

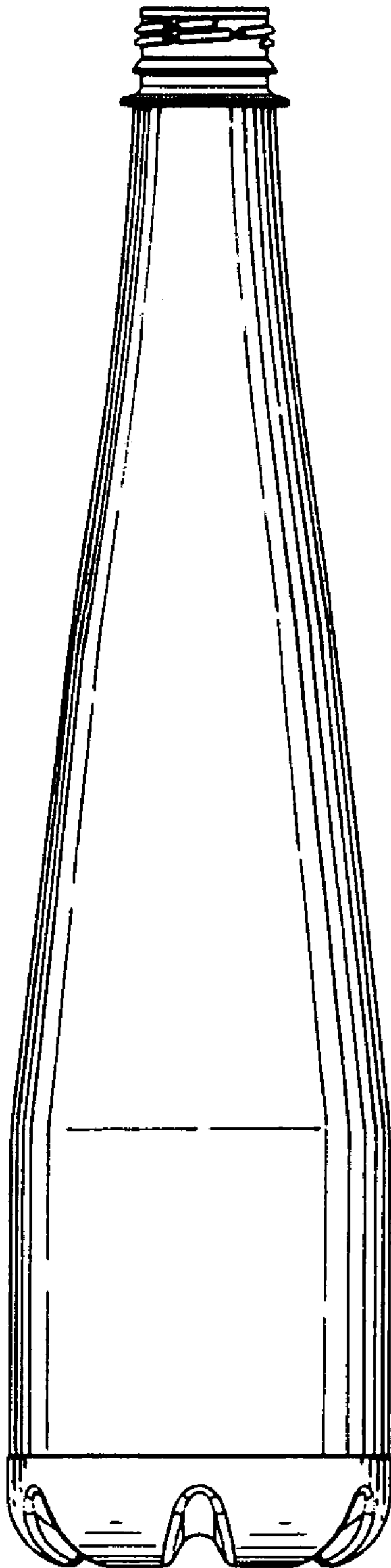


FIG. 3

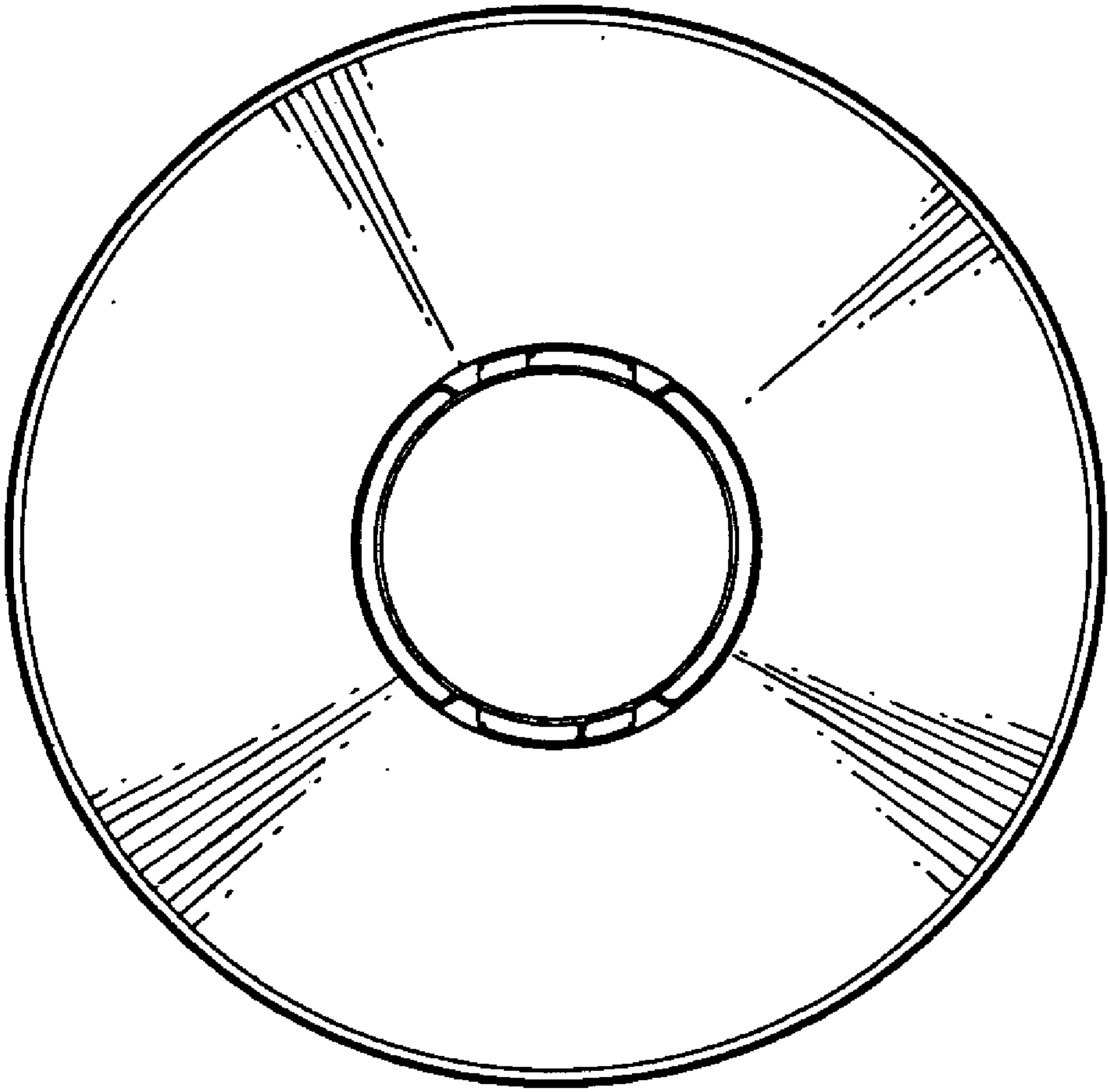


FIG. 4

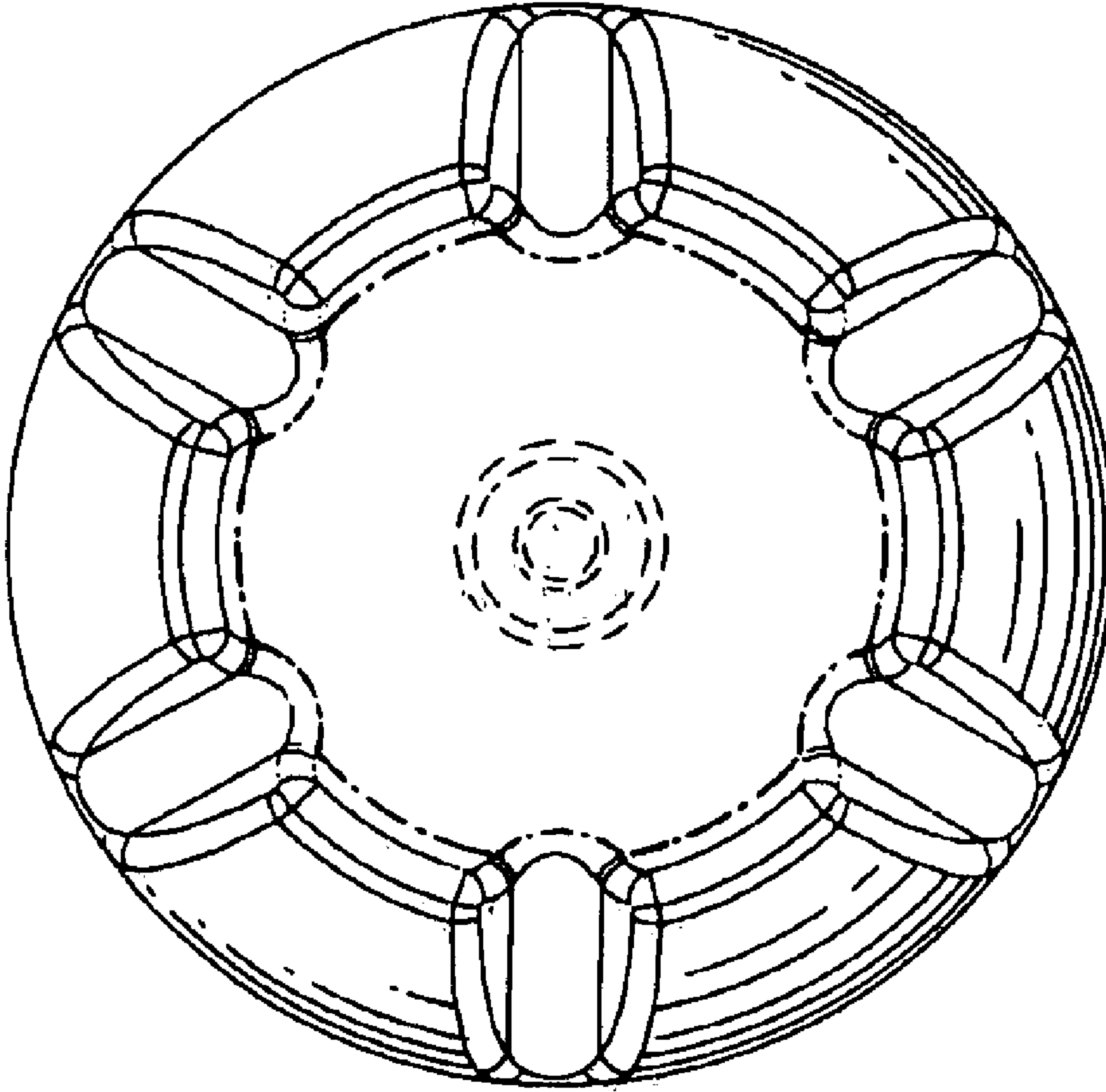


FIG. 5