



US00D573021S

(12) **United States Design Patent**
Ohshima

(10) **Patent No.:** **US D573,021 S**
(45) **Date of Patent:** **** Jul. 15, 2008**

(54) **SPRAY/PUMP HEAD FOR CONTAINER**

(75) Inventor: **Yasuo Ohshima**, Tokyo (JP)

(73) Assignee: **Mitani Valve Co., Ltd**, Tokyo (JP)

(**) Term: **14 Years**

(21) Appl. No.: **29/284,397**

(22) Filed: **Sep. 7, 2007**

(30) **Foreign Application Priority Data**

Mar. 9, 2007 (JP) 2007-006224

(51) **LOC (8) Cl.** **09-07**

(52) **U.S. Cl.** **D9/448**

(58) **Field of Classification Search** D9/682,
D9/448, 447, 435, 434; D6/542; D23/227,
D23/226, 213; 222/255, 251, 383.3, 383.1,
222/382

See application file for complete search history.

(56) **References Cited**

U.S. PATENT DOCUMENTS

D242,351 S *	11/1976	Tada	D9/448
D243,333 S *	2/1977	Tada	D23/226
D525,123 S *	7/2006	Walters et al.	D9/448
D532,299 S *	11/2006	Kuo	D9/448
D550,079 S *	9/2007	Yang	D9/448
D551,549 S *	9/2007	Maas et al.	D9/448
D553,497 S *	10/2007	Maas et al.	D9/448

* cited by examiner

Primary Examiner—Gary D. Watson

Assistant Examiner—Susan Bennett Hattan

(74) *Attorney, Agent, or Firm*—Lucas & Mercanti, LLP

(57) **CLAIM**

I claim the ornamental design for a spray/pump head for container, substantially as shown and described.

DESCRIPTION

FIG. 1 is a front elevational view of a spray/pump head for container showing my new design, the rear plan view being a mirror image thereof;

FIG. 2 is a top plan view thereof;

FIG. 3 is a left side elevational view of FIG. 1;

FIG. 4 is a right side elevational view thereof;

FIG. 5 is a bottom plan view thereof;

FIG. 6 is an end section view taken along line 6—6 of the top plan view as in FIG. 2;

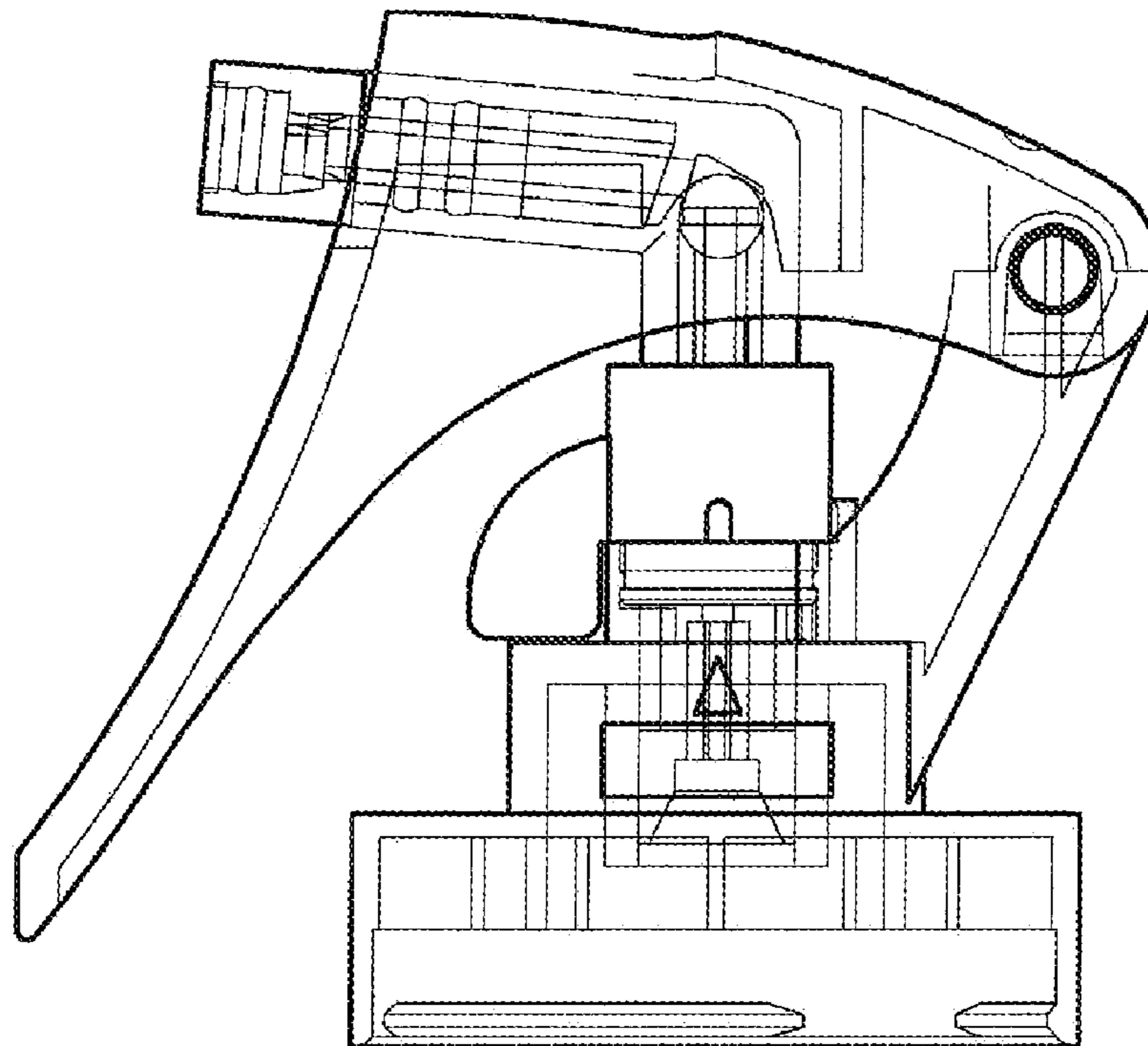
FIG. 7 is an end section view taken along line 7—7 of the top plan view as in FIG. 2; and,

FIG. 8 is a front elevational view which shows the non-transparent parts with hatching.

The design is transparent except for the part indicated in FIG. 8 by hatching.

All fine lines, except hatching, express the shape of an inner part which is visible through the transparent surface.

1 Claim, 6 Drawing Sheets



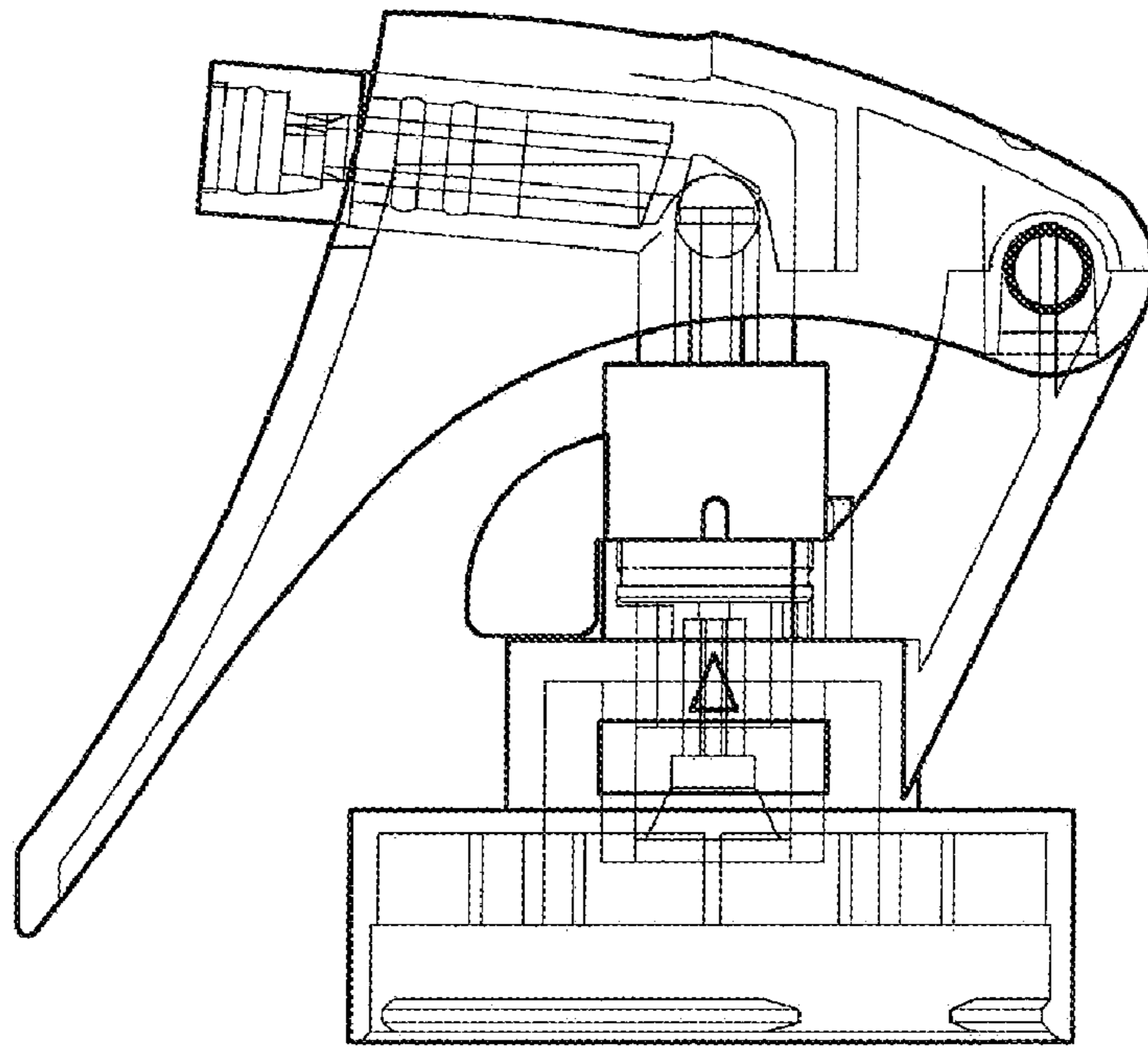


Figure 1

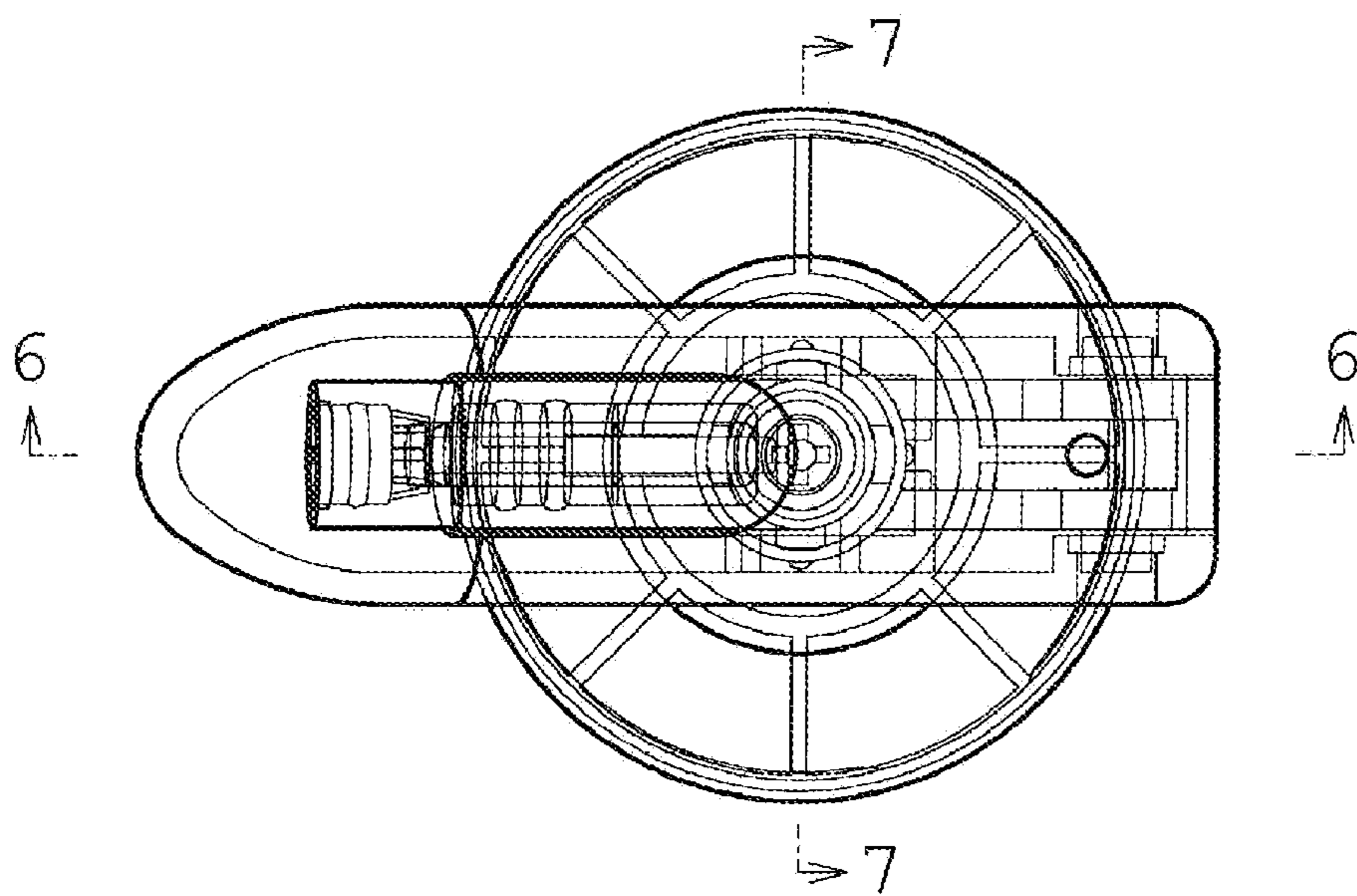


Figure 2

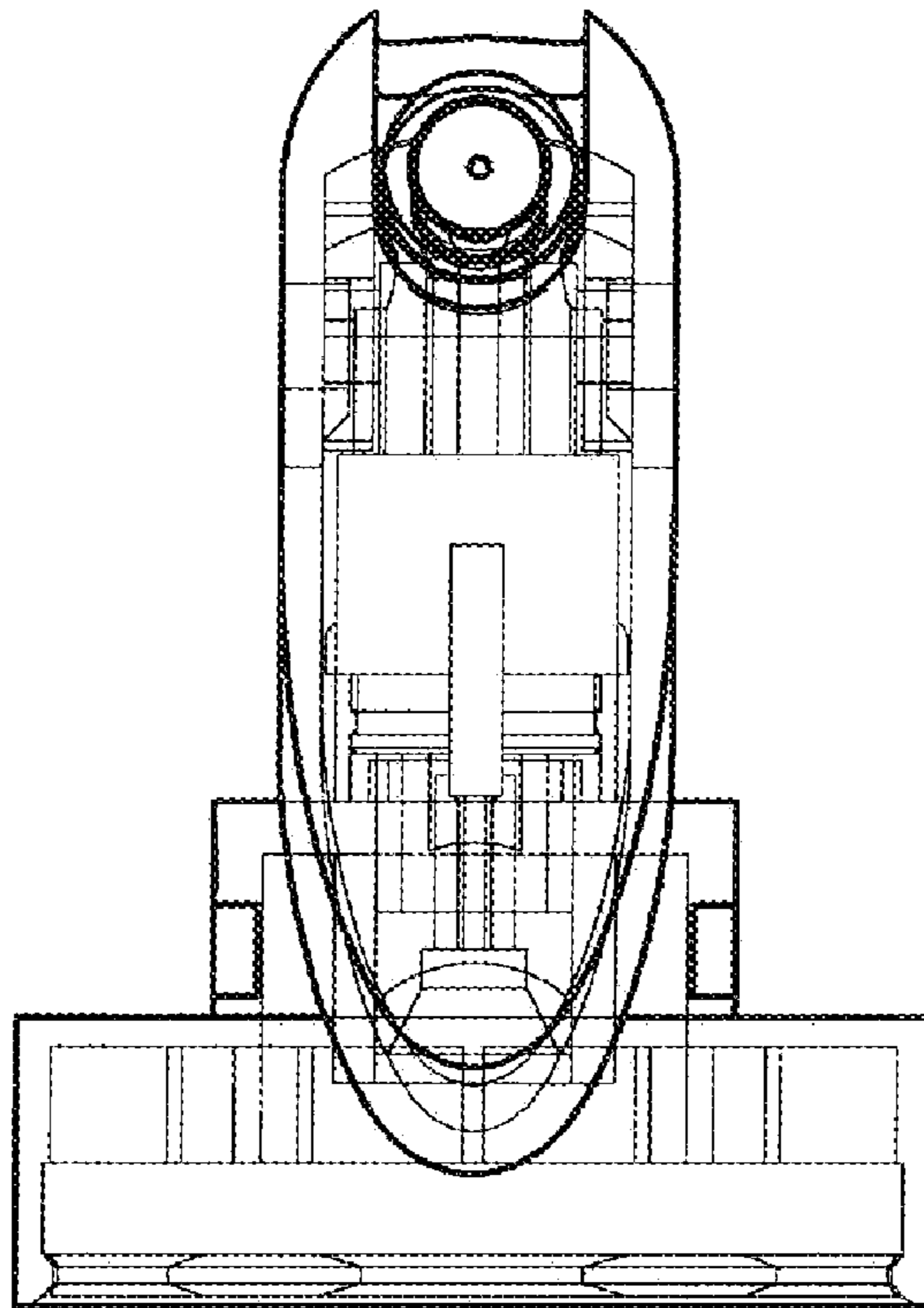


Figure 3

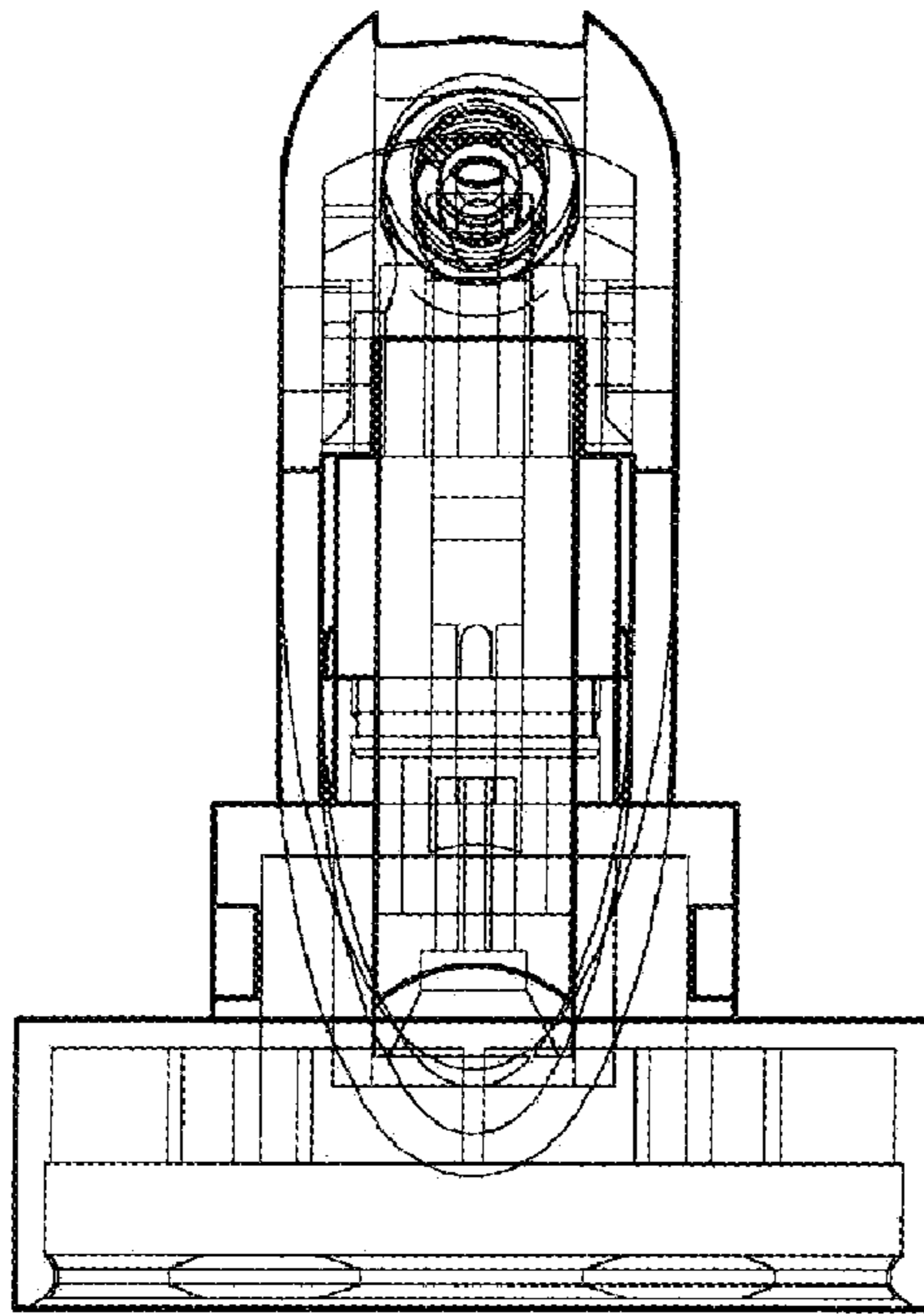


Figure 4

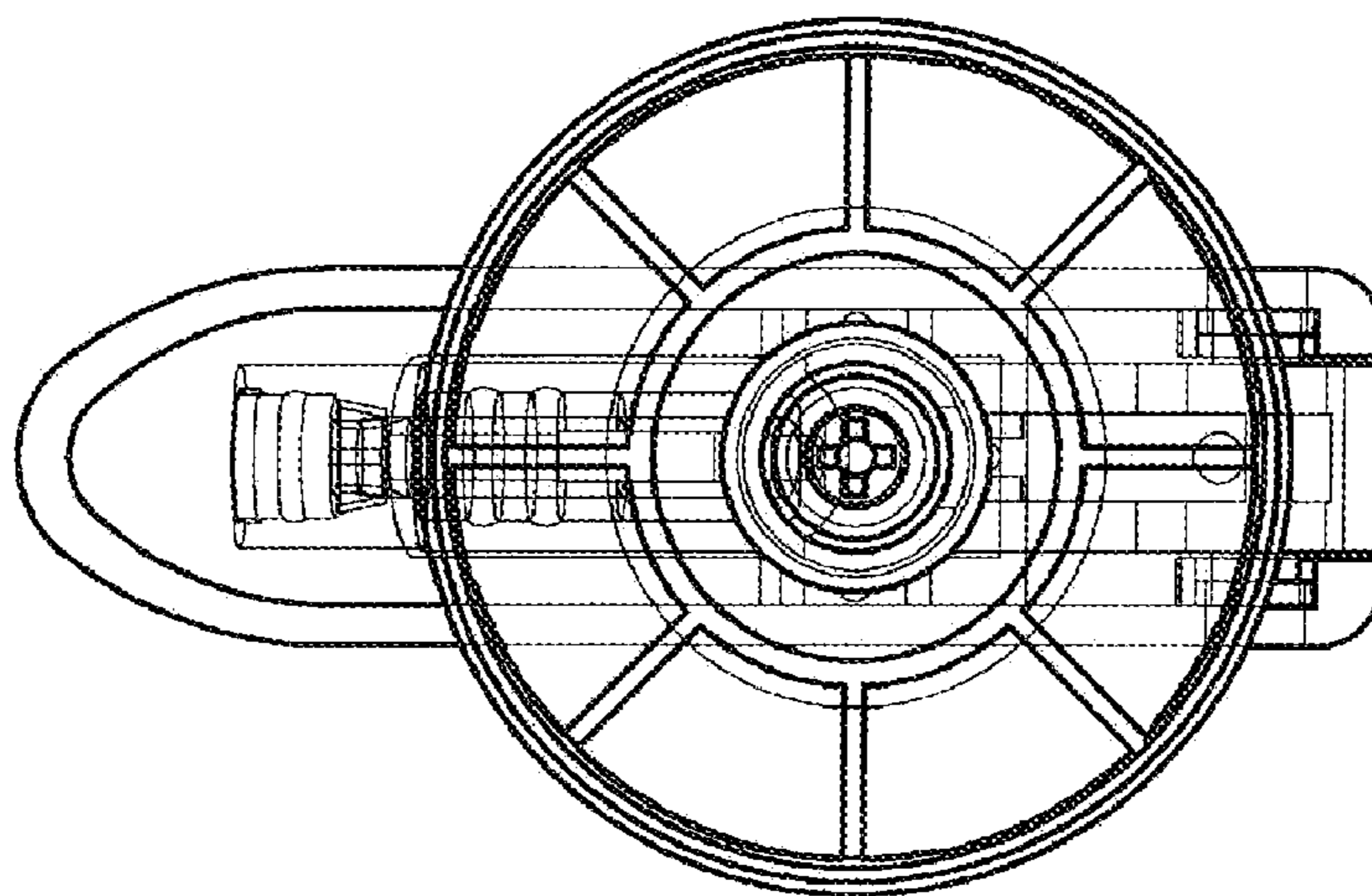


Figure 5

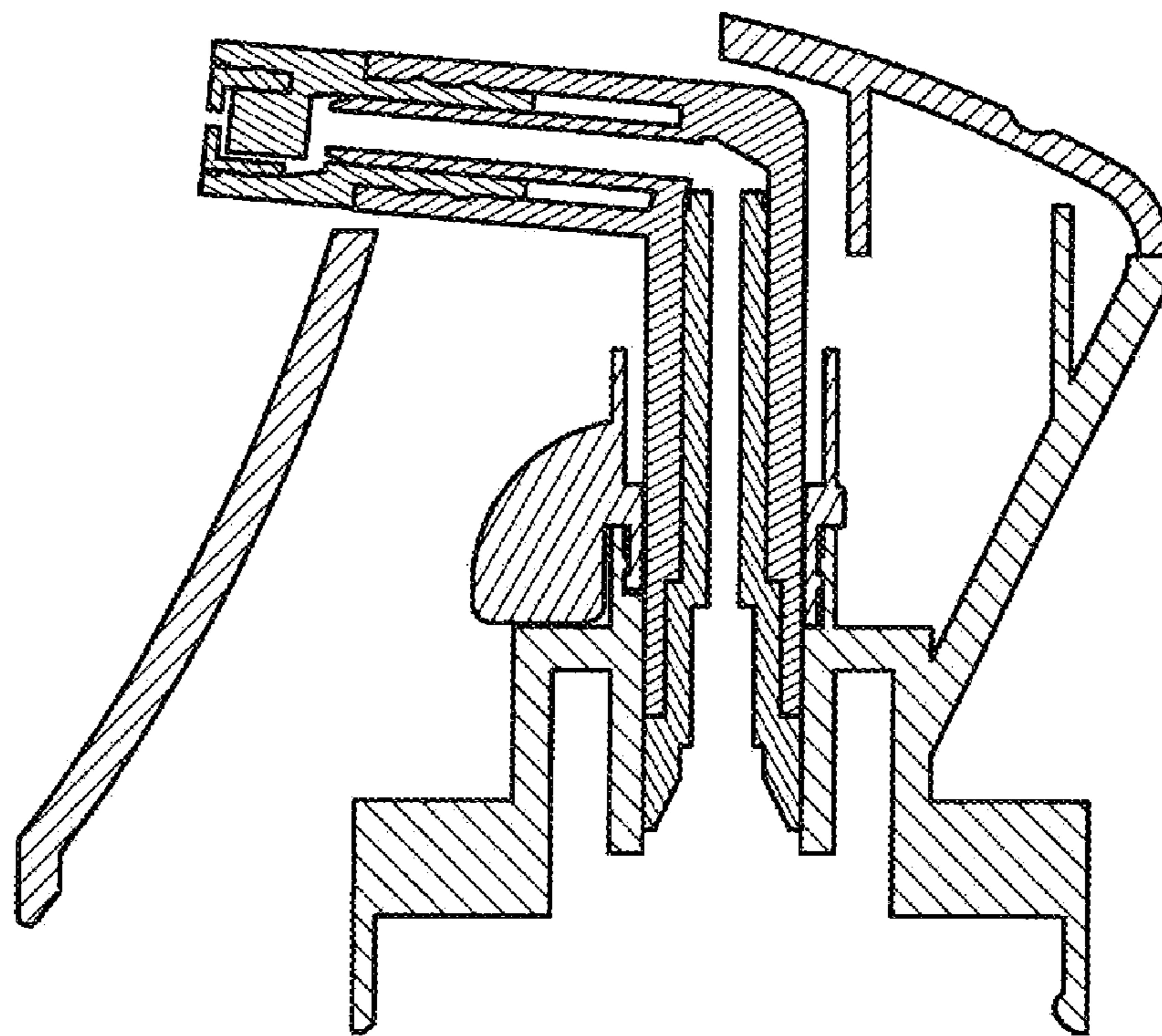


Figure 6

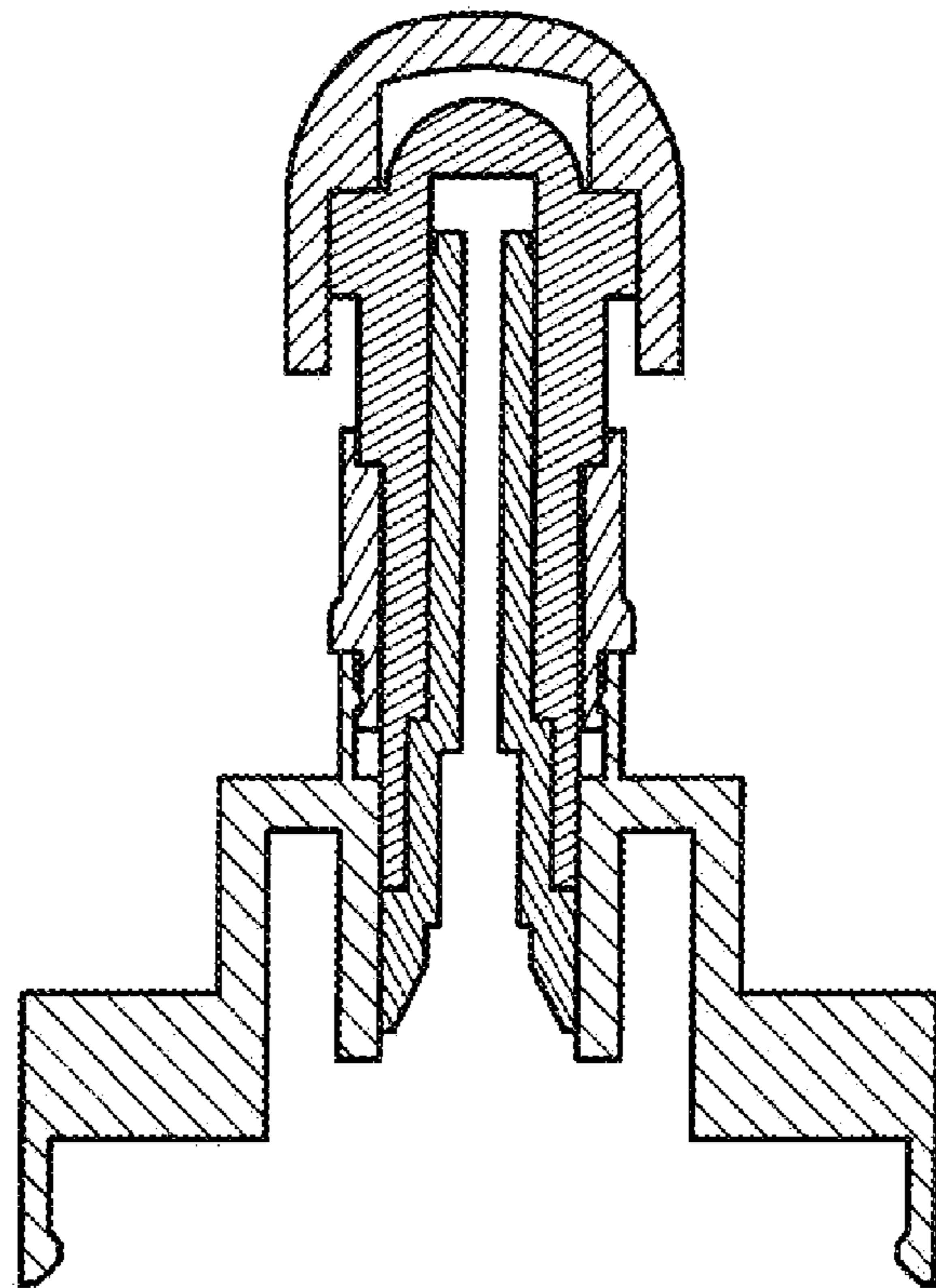


Figure 7

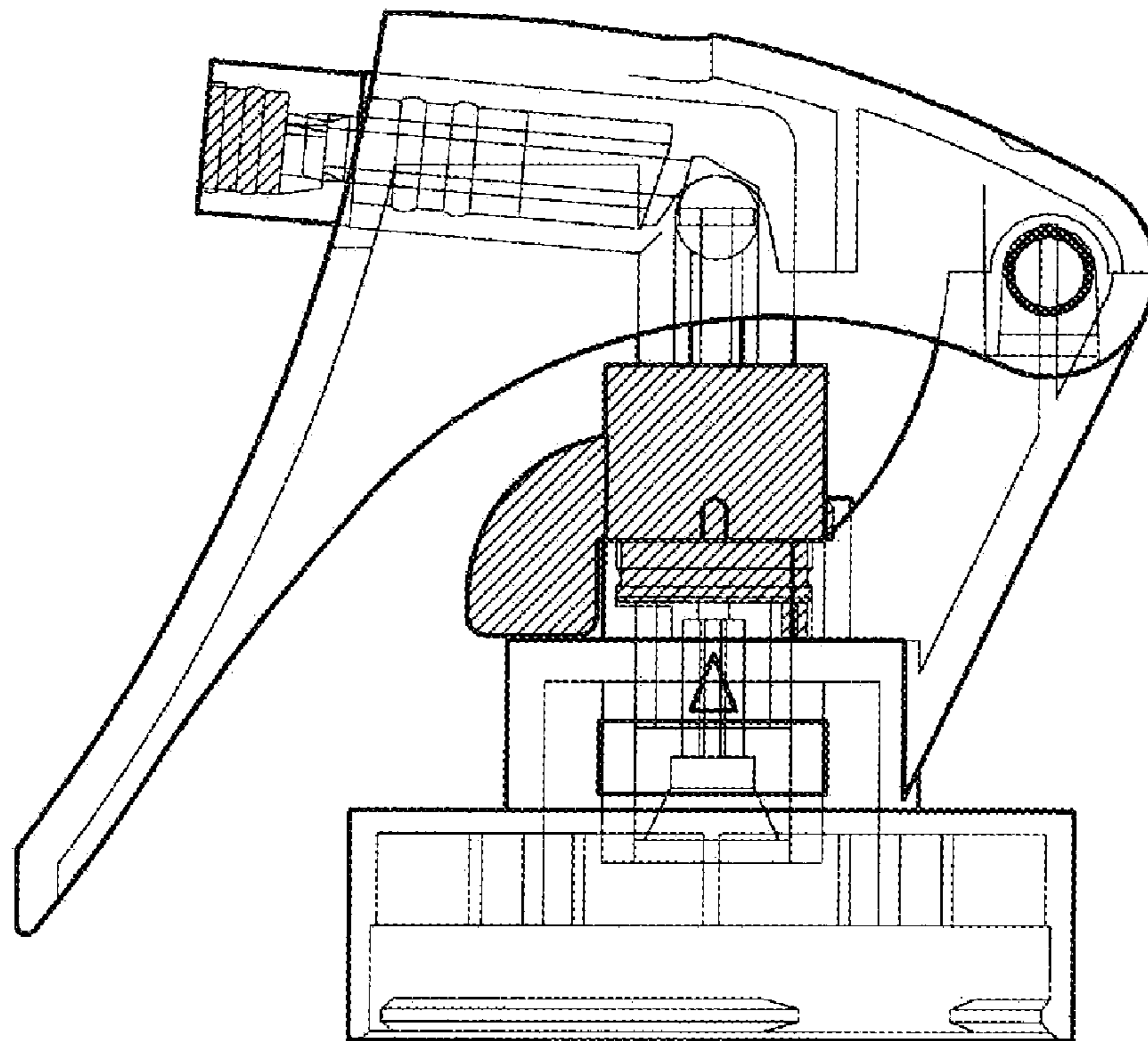


Figure 8