



US00D573017S

(12) **United States Design Patent**
Henderson

(10) **Patent No.:** **US D573,017 S**

(45) **Date of Patent:** **** Jul. 15, 2008**

(54) **SODA CAN TOP WITH STRAW**

(76) Inventor: **William C. Henderson**, 9545 11th Bay St., Norfolk, VA (US) 23518

(**) Term: **14 Years**

(21) Appl. No.: **29/269,188**

(22) Filed: **Nov. 24, 2006**

(51) **LOC (8) Cl.** **08-07**

(52) **U.S. Cl.** **D9/436**; D9/447; D9/454

(58) **Field of Classification Search** D9/718, D9/715, 436, 435, 418; 220/212, 709, 705; 215/390, 228, 391, 388, 229; D7/503, 505, D7/510, 392.1, 538; 401/126, 119; 141/112
See application file for complete search history.

(56) **References Cited**

U.S. PATENT DOCUMENTS

D318,427	S	*	7/1991	Sherburne, Jr.	D9/436
D327,848	S	*	7/1992	Hanover	D9/436
D351,312	S	*	10/1994	Sharon et al.	D7/510
5,381,924	A	*	1/1995	Kiefel	220/709
5,462,194	A	*	10/1995	Barnwell	220/709
D527,254	S	*	8/2006	Antonelli	D9/436

* cited by examiner

Primary Examiner—Gary D. Watson

Assistant Examiner—Susan B Hattan

(74) *Attorney, Agent, or Firm*—William G. Sykes

(57) **CLAIM**

The ornamental design for a soda can top with straw, as shown and described.

DESCRIPTION

FIG. 1 is a front right isometric view of a soda can top with straw showing my new design;

FIG. 2 is a front plan view thereof;

FIG. 3 is a top plan view thereof;

FIG. 4 is a bottom plan view thereof;

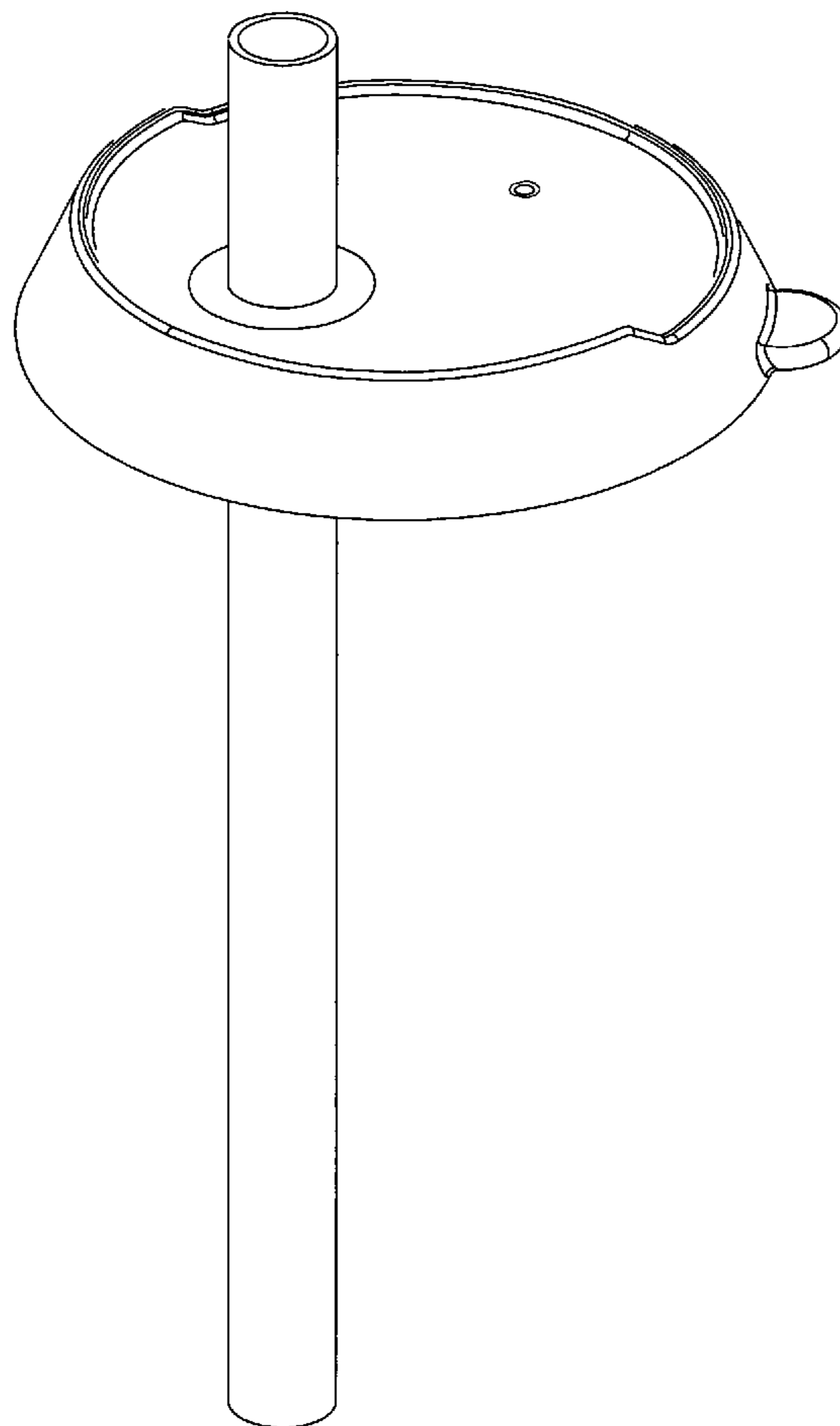
FIG. 5 is a right side plan view thereof;

FIG. 6 is a left side plan view thereof; and,

FIG. 7 is a back plan view.

The broken lines in the drawing depict environmental subject matter only and form no part of the claimed design.

1 Claim, 7 Drawing Sheets



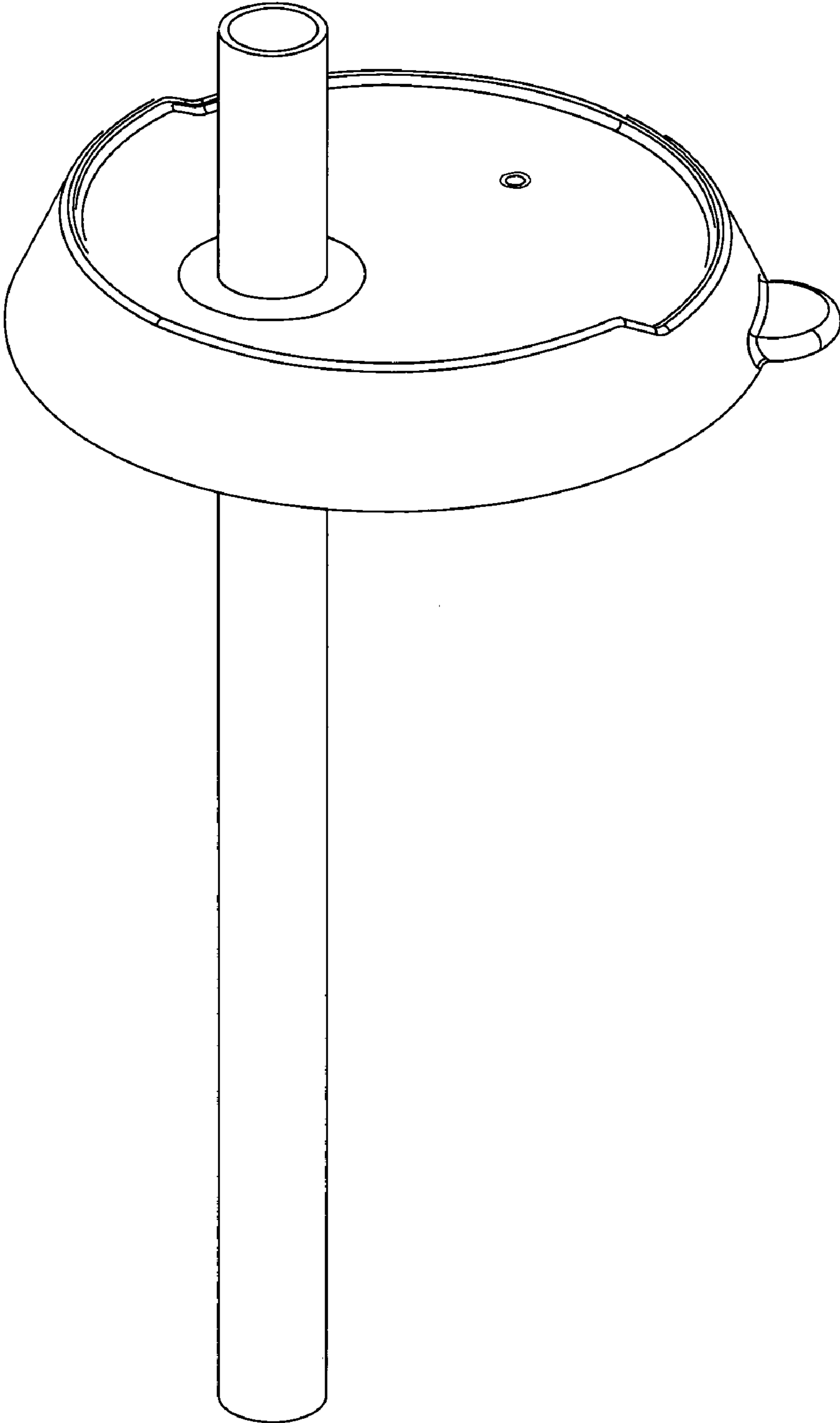


FIG. 1

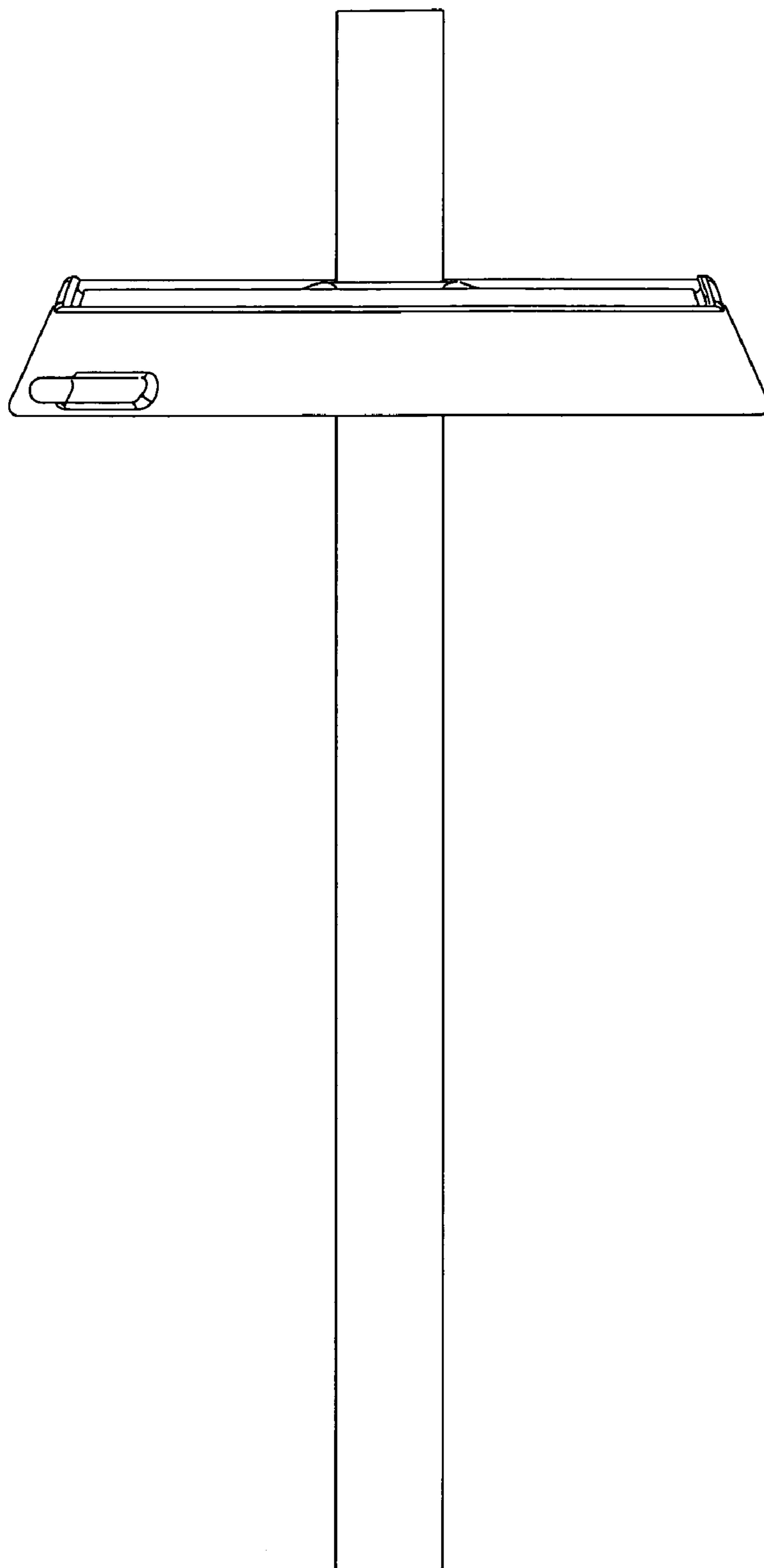


FIG. 2

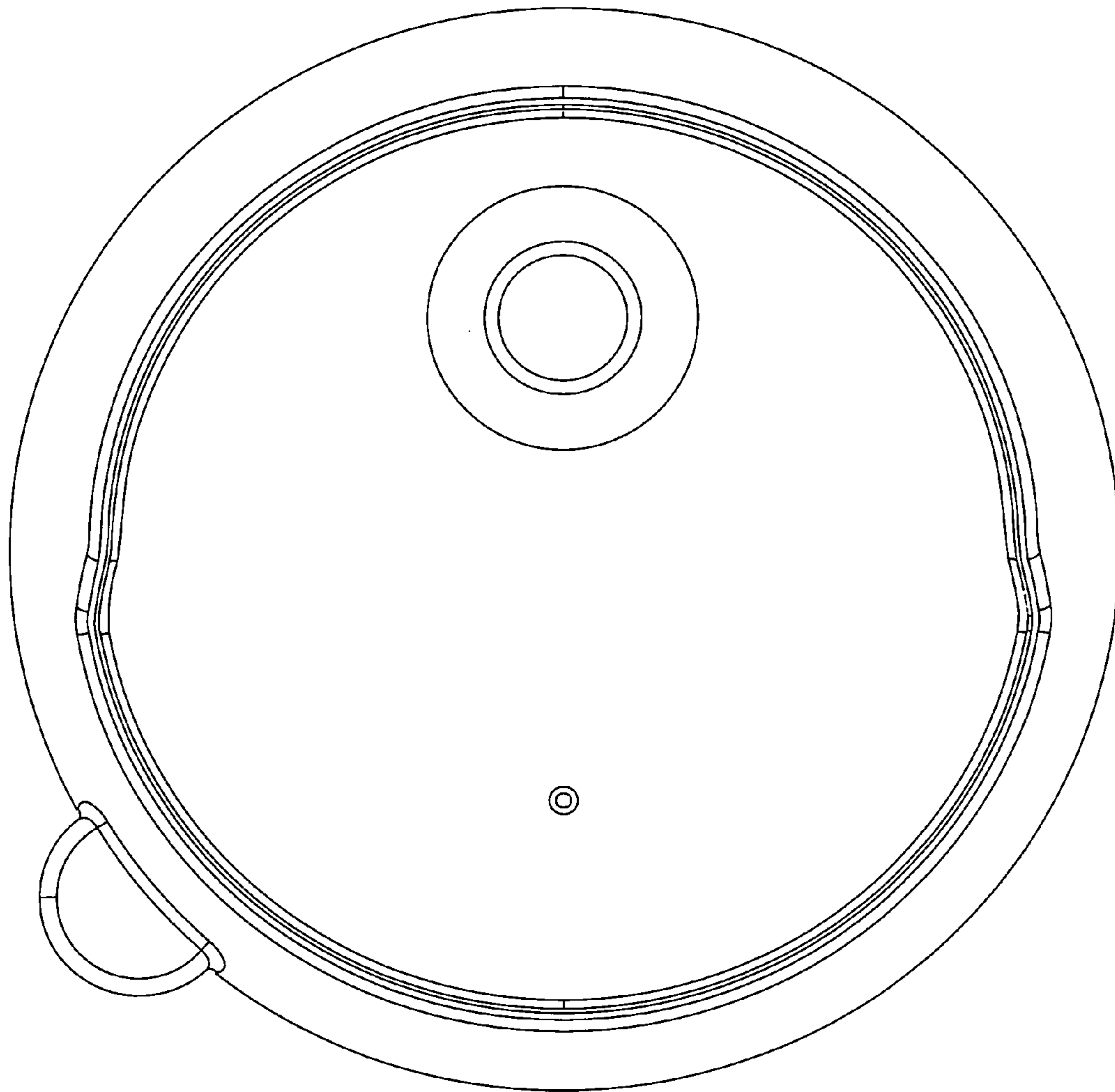


FIG. 3

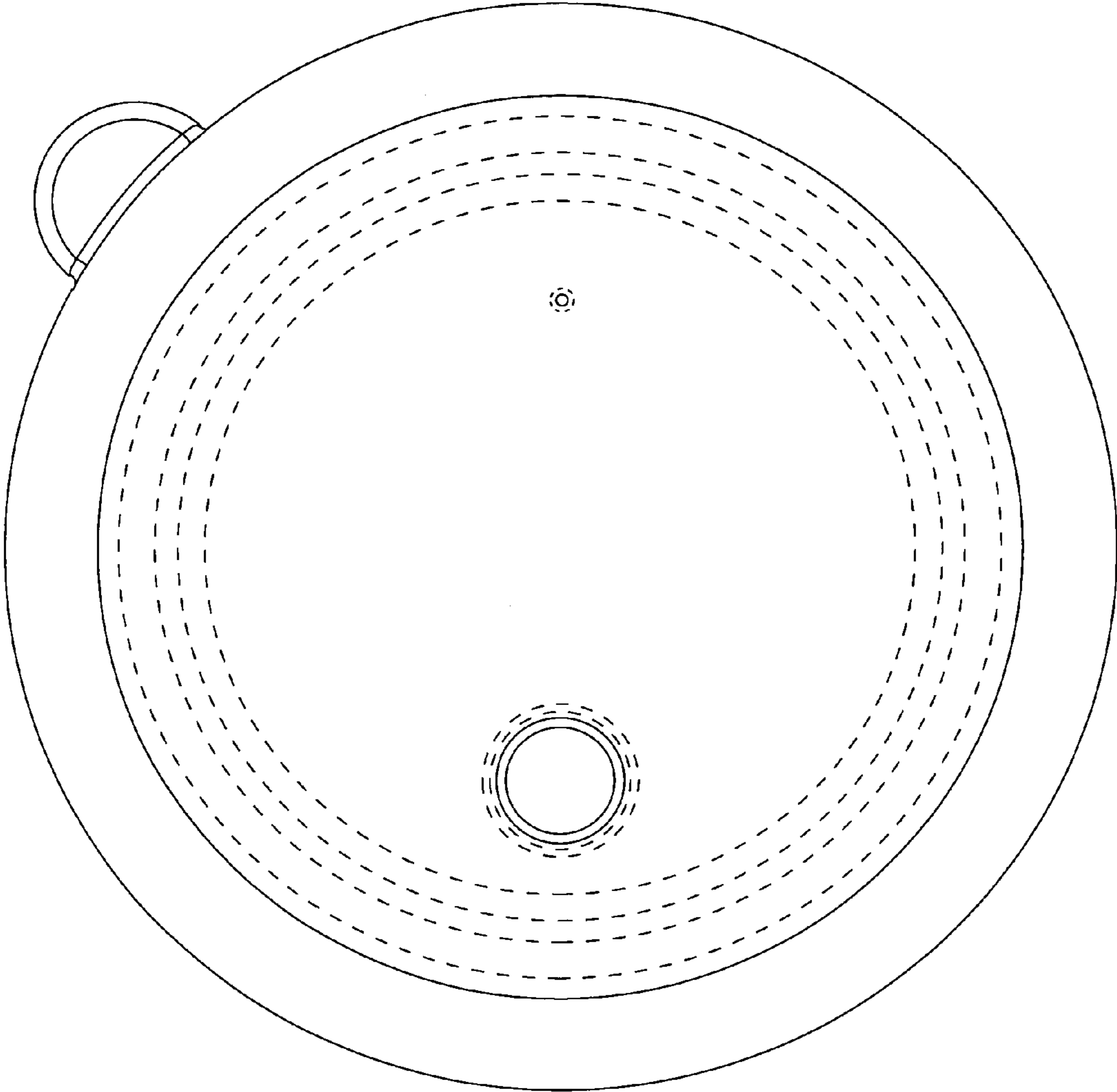


FIG. 4

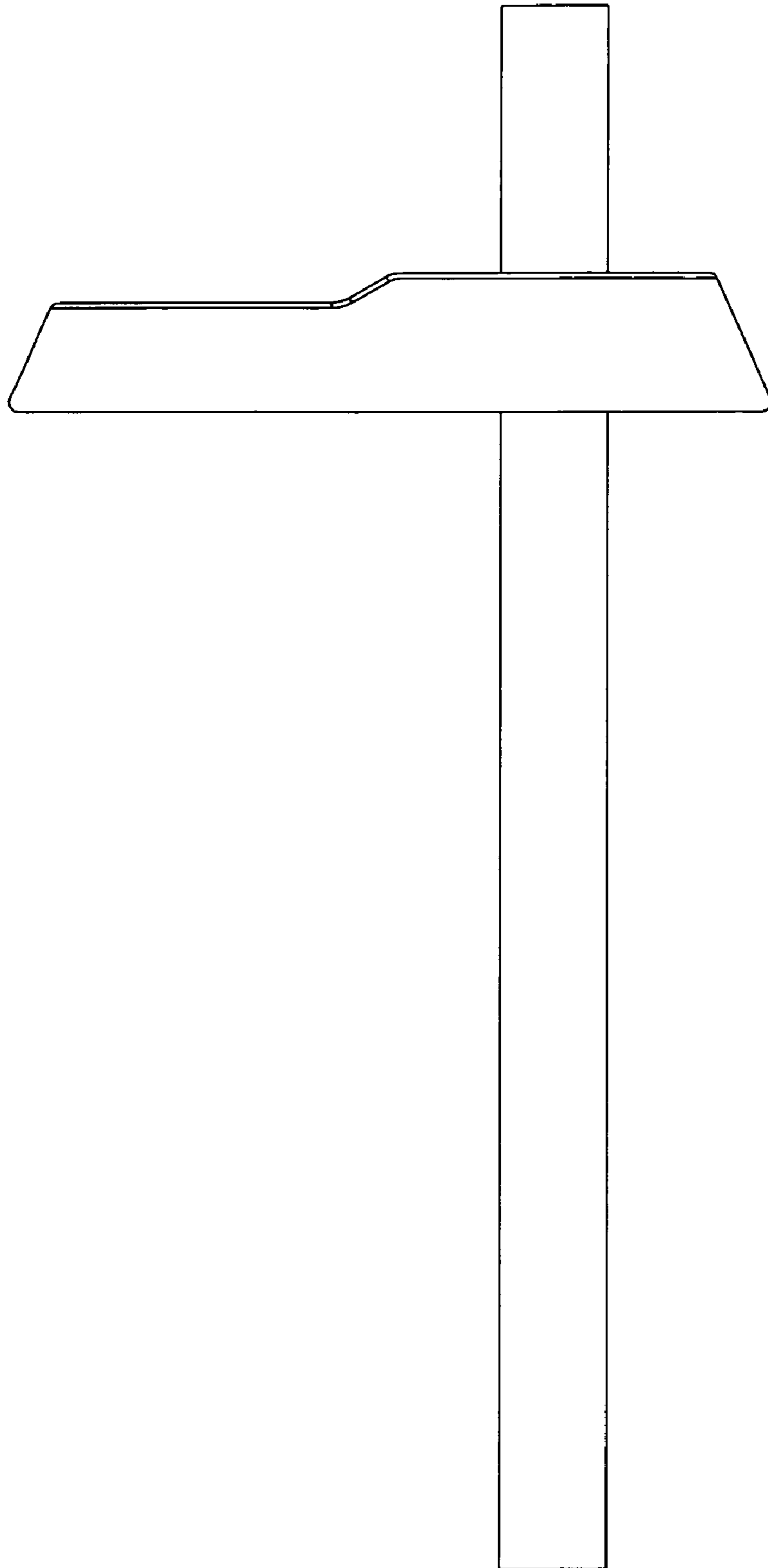


FIG. 5

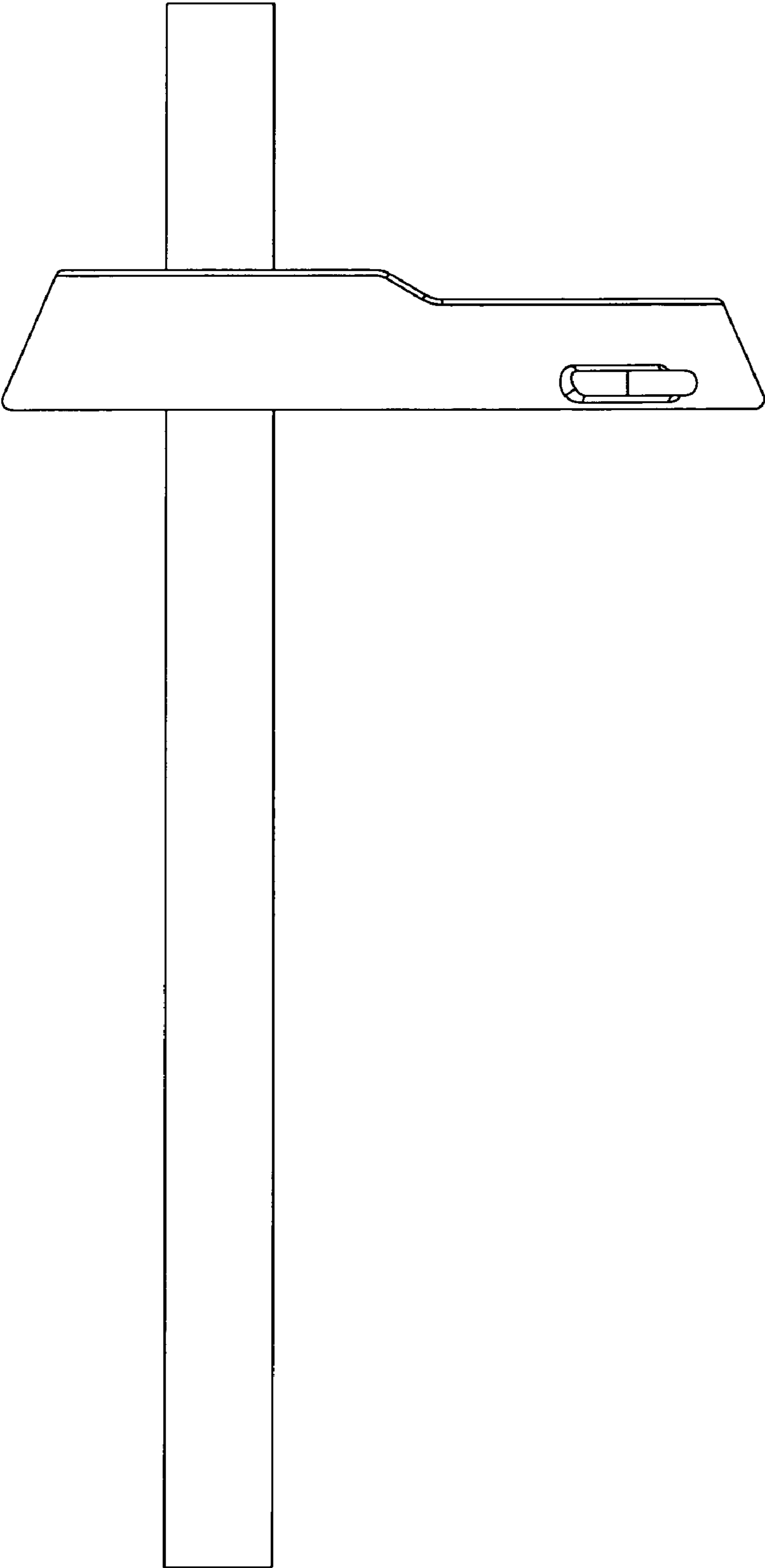


FIG. 6

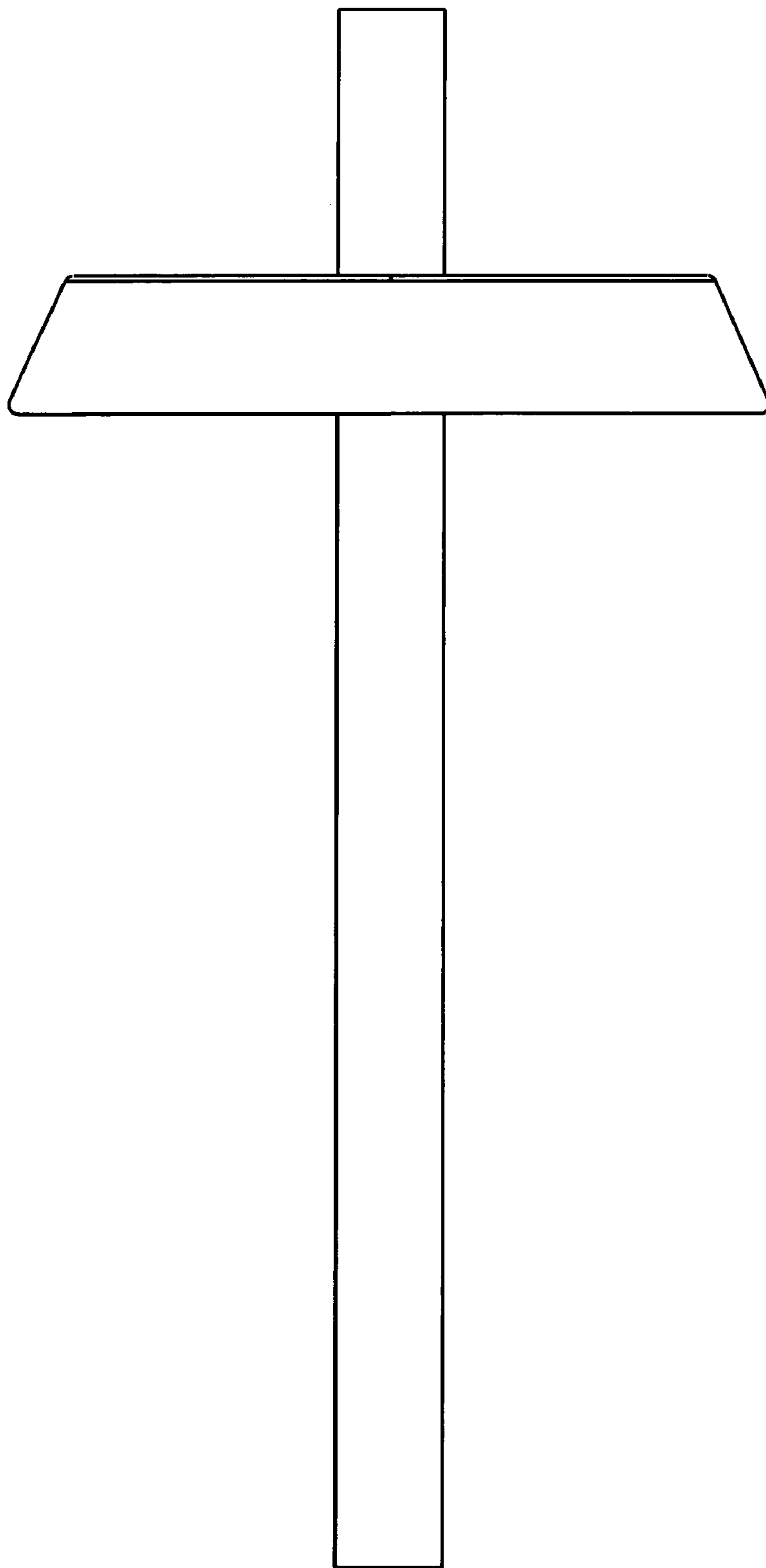


FIG. 7