



US00D573012S

(12) **United States Design Patent**
Godwin et al.

(10) **Patent No.:** **US D573,012 S**
(45) **Date of Patent:** **** Jul. 15, 2008**

(54) **RESILIENT CLIP**

(75) Inventors: **Aaron Godwin**, Hatboro, PA (US);
Bruce Schwartz, Huntington Valley, PA (US)

(73) Assignee: **Jerith Manufacturing Company, Inc.**, Philadelphia, PA (US)

(**) Term: **14 Years**

(21) Appl. No.: **29/297,986**

(22) Filed: **Nov. 26, 2007**

(51) **LOC (8) Cl.** **08-08**

(52) **U.S. Cl.** **D8/395**

(58) **Field of Classification Search** D8/356,
D8/371, 394-396; 24/570; 248/74.2, 215,
248/227.1, 49, 300, 301, 316.7, 51, 489,
248/276.1, 65, 152, 174; 256/22, 65.03,
256/65.08, 65.12, DIG. 4; D19/65
See application file for complete search history.

(56) **References Cited**

U.S. PATENT DOCUMENTS

2,950,514 A * 8/1960 Small 24/570
3,210,816 A * 10/1965 Clemons 128/852
D204,906 S * 5/1966 Kus D8/394
3,294,347 A * 12/1966 Mongesku et al. 248/534

3,705,680 A * 12/1972 Siegel 228/57
D272,702 S * 2/1984 Kingsley, Jr. D8/371
D398,221 S * 9/1998 Weber et al. D8/371
D427,893 S * 7/2000 Lappin et al. D8/382
D543,447 S * 5/2007 Allsopp D8/394
2002/0079408 A1 * 6/2002 Bailleux 248/65

* cited by examiner

Primary Examiner—Robert M. Spear

Assistant Examiner—John Windmuller

(74) *Attorney, Agent, or Firm*—Volpe and Koenig, P.C.

(57) **CLAIM**

The ornamental design for resilient clip, as shown and described.

DESCRIPTION

FIG. 1 is a rear perspective view of a resilient clip showing our new design;

FIG. 2 is a front perspective view thereof;

FIG. 3 is a right side elevation view thereof;

FIG. 4 is a front elevation view thereof;

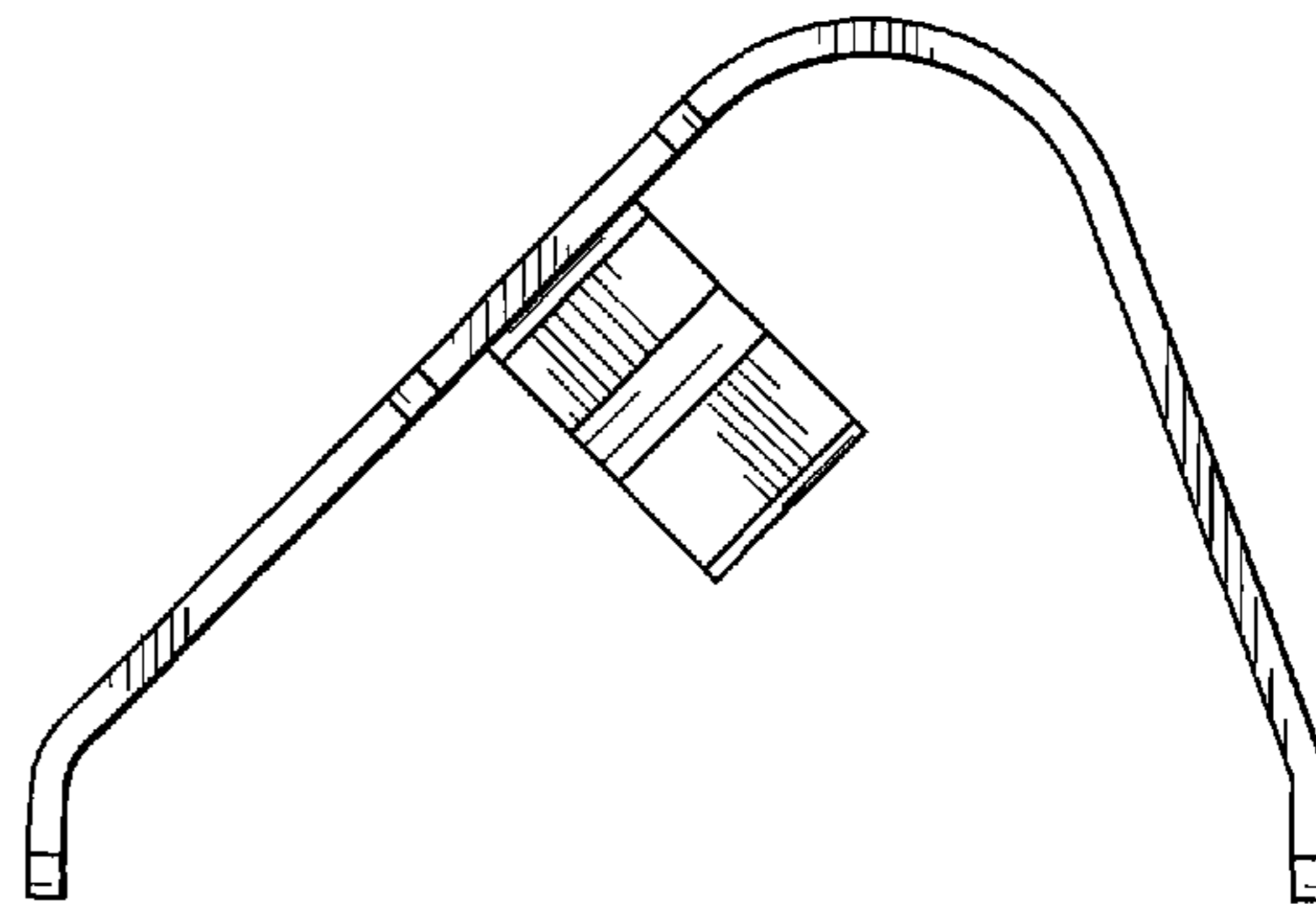
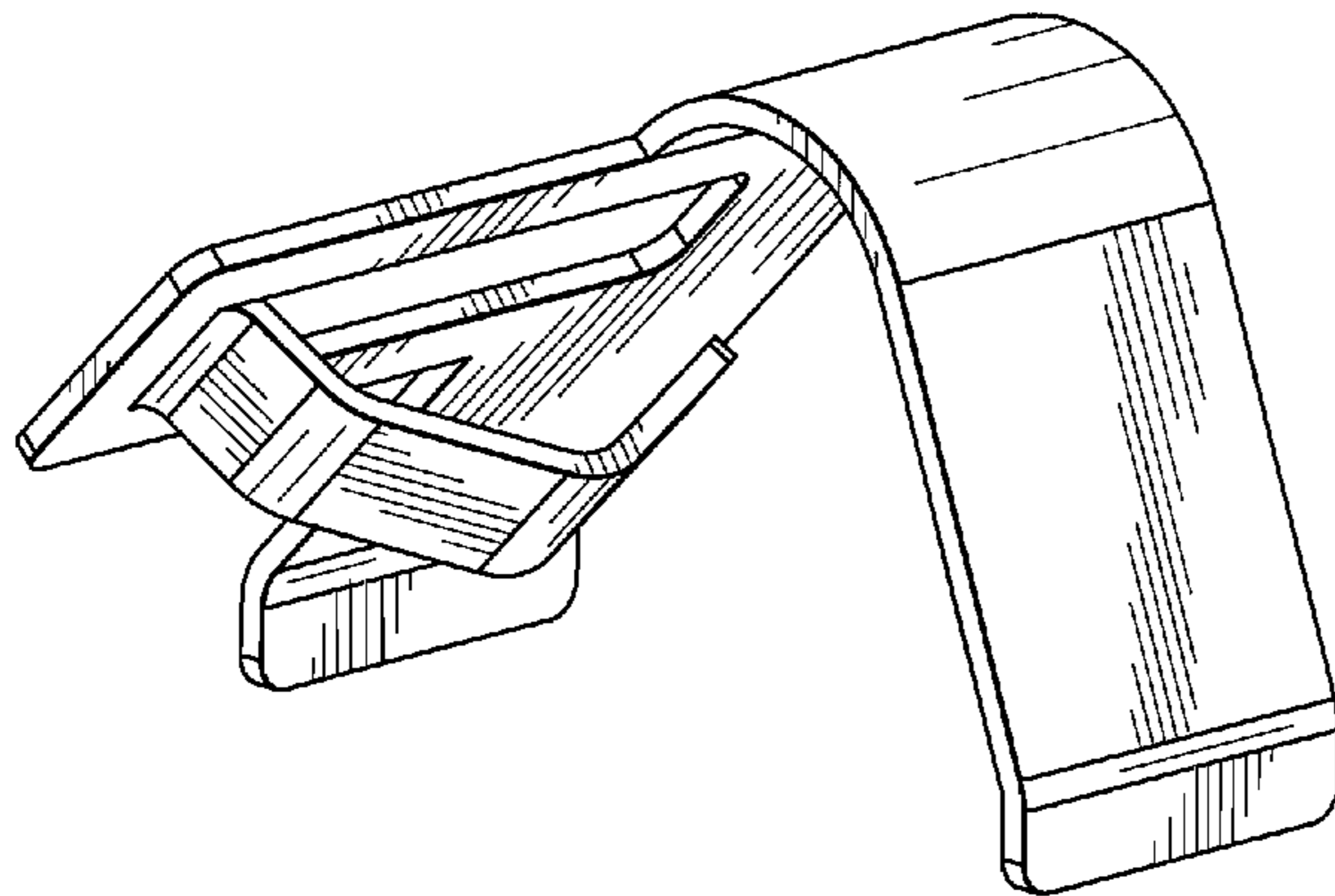
FIG. 5 is a top plan view thereof;

FIG. 6 is a left side elevation view thereof;

FIG. 7 is a rear elevation view thereof; and,

FIG. 8 is a bottom plan view thereof.

1 Claim, 3 Drawing Sheets



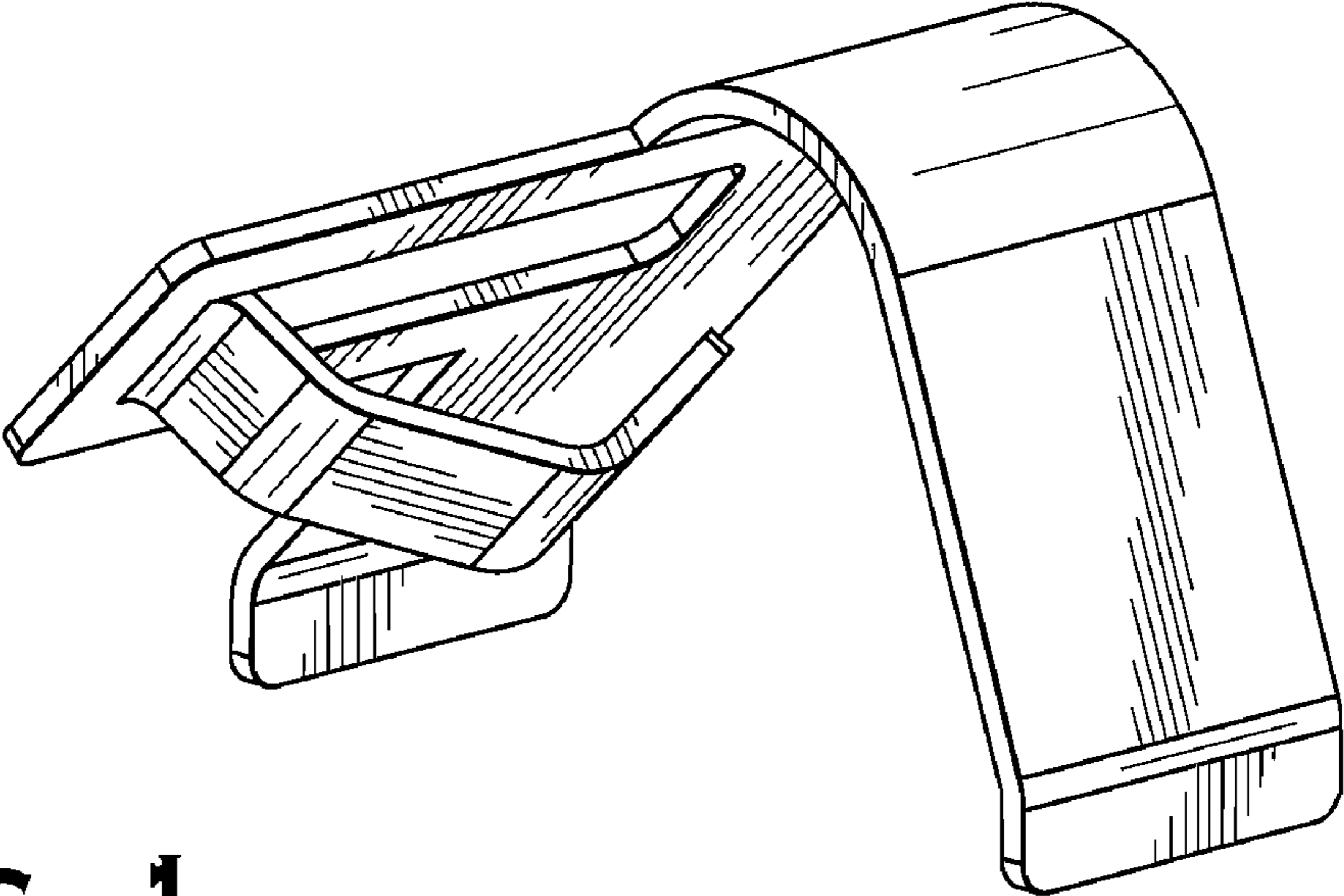


FIG. 1

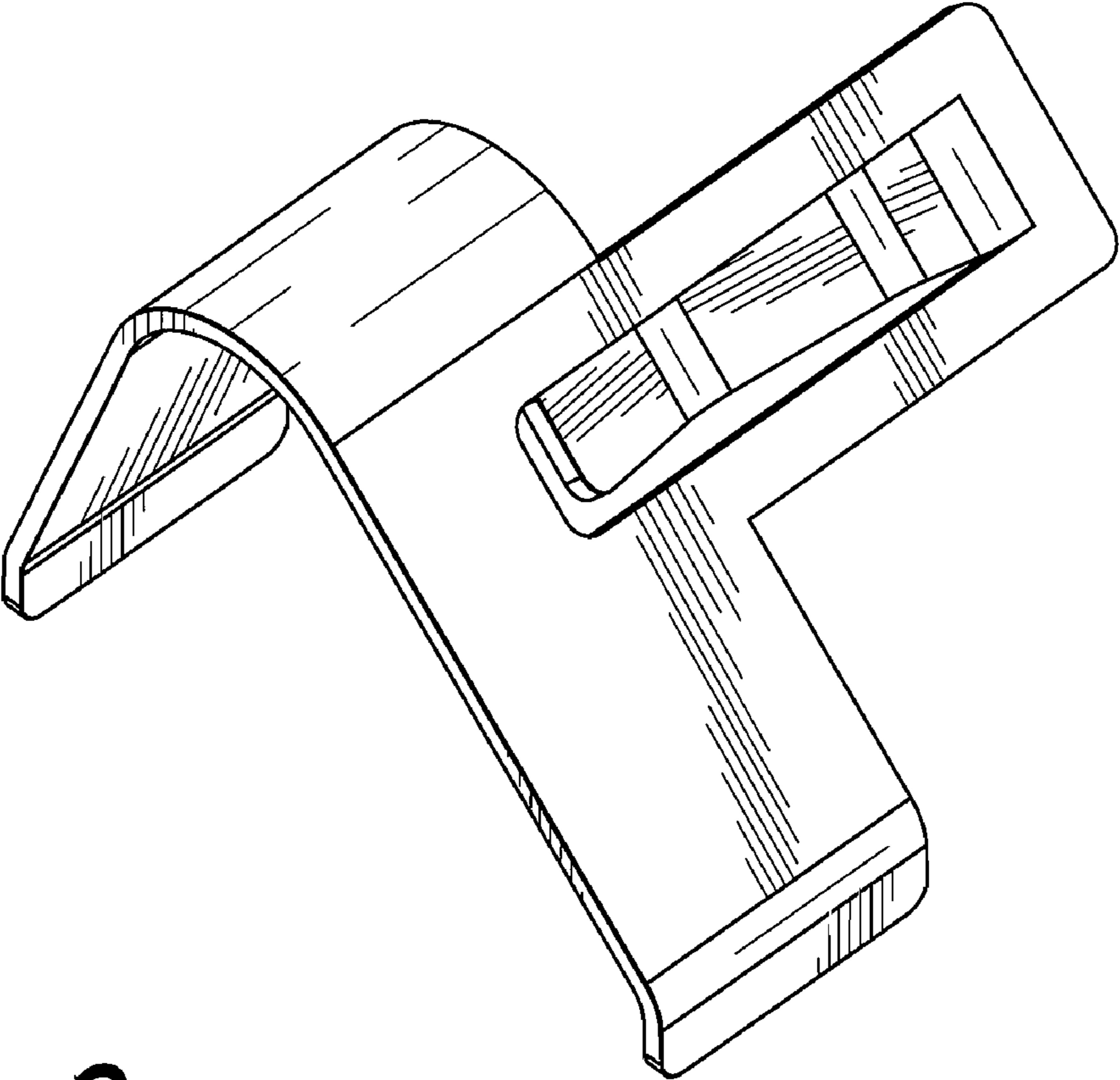


FIG. 2

FIG. 3

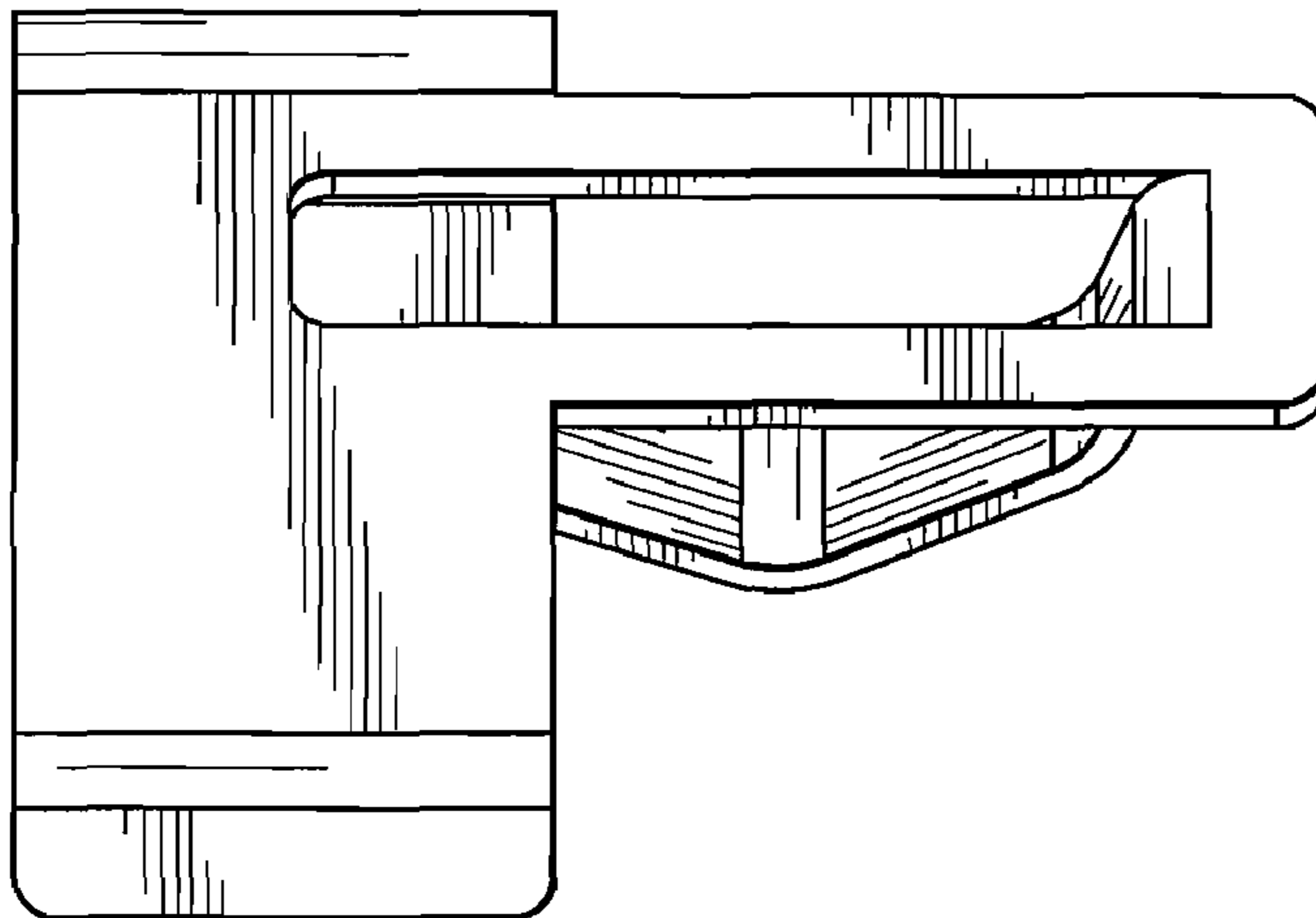
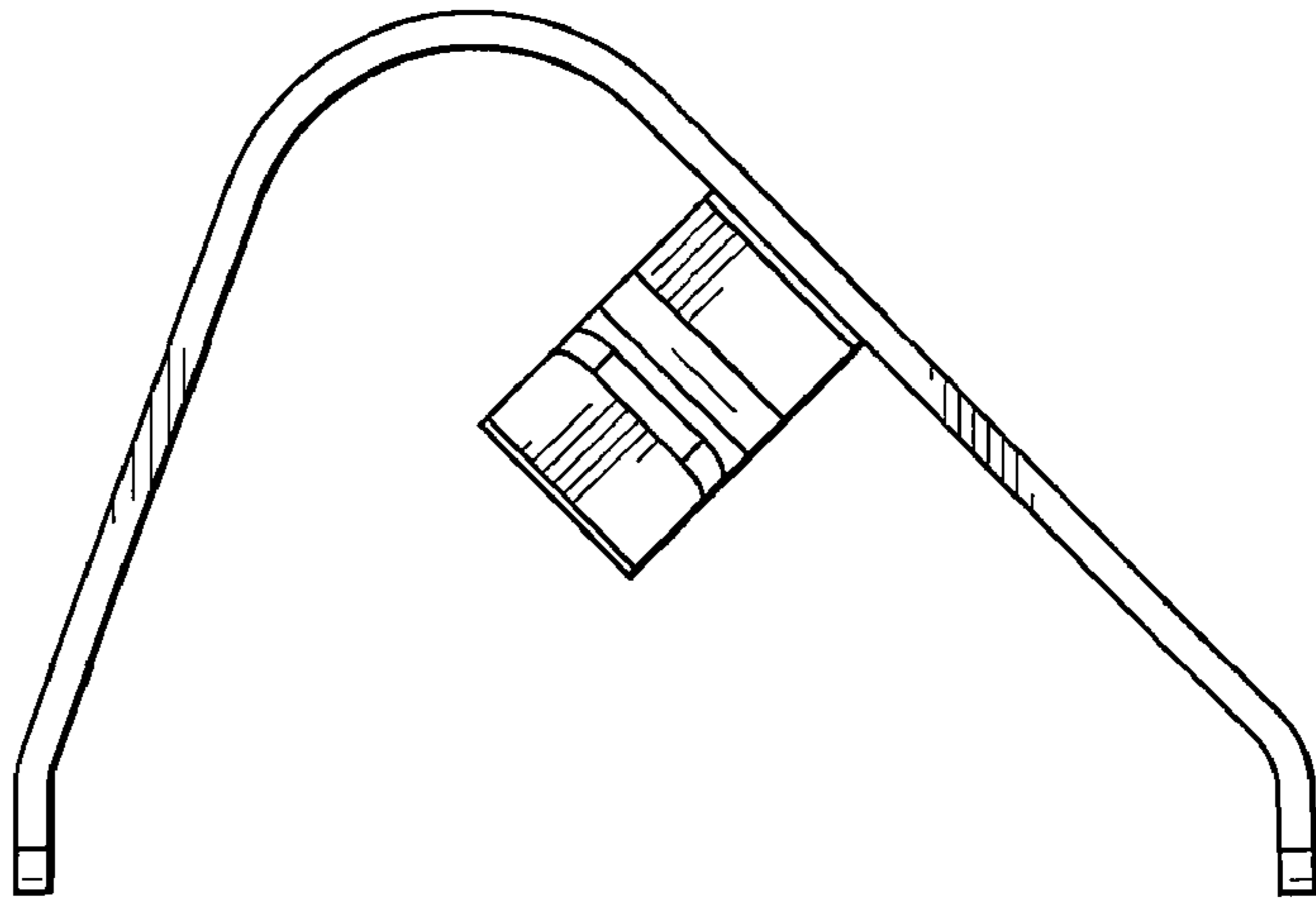
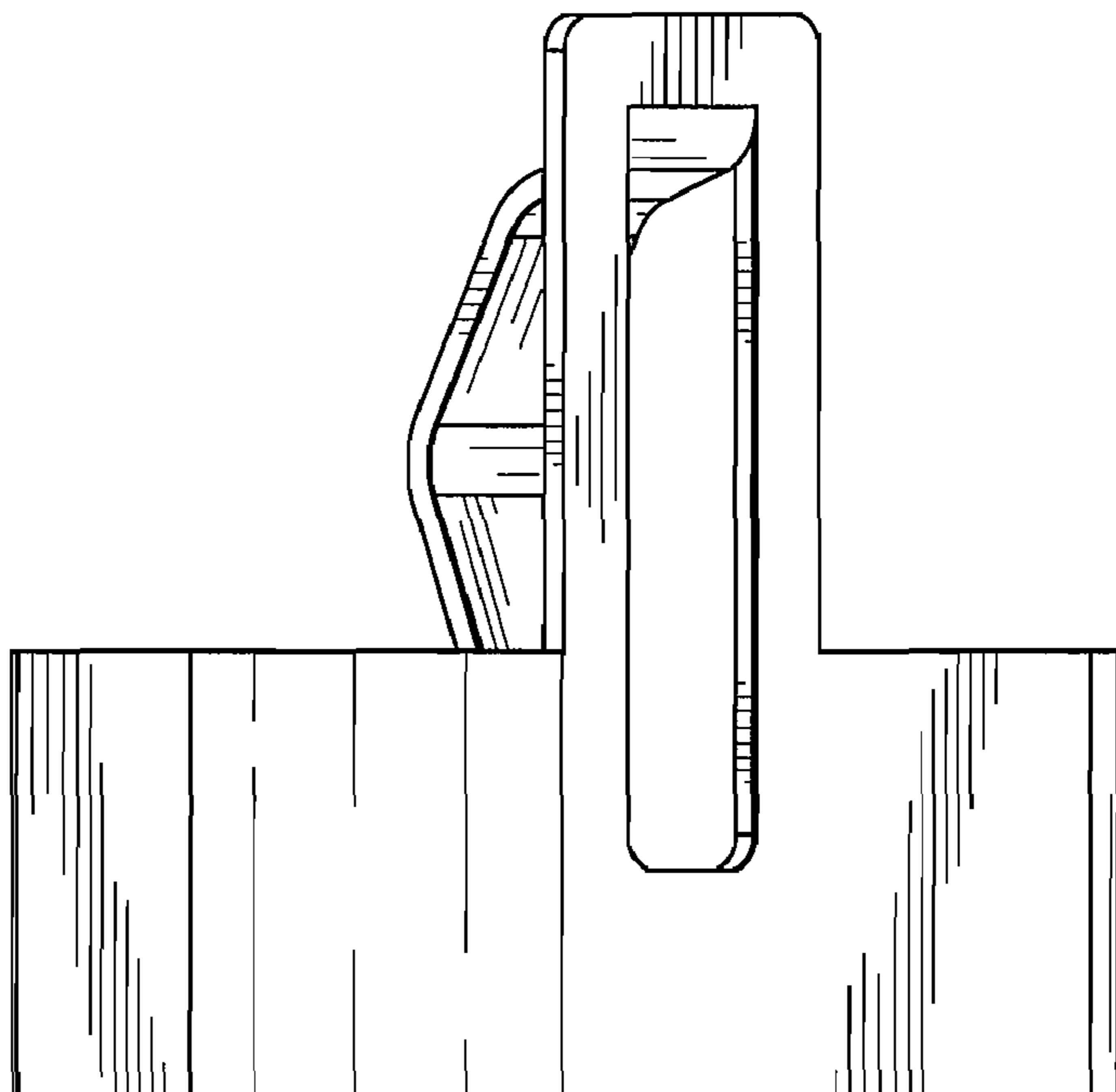


FIG. 4

FIG. 5



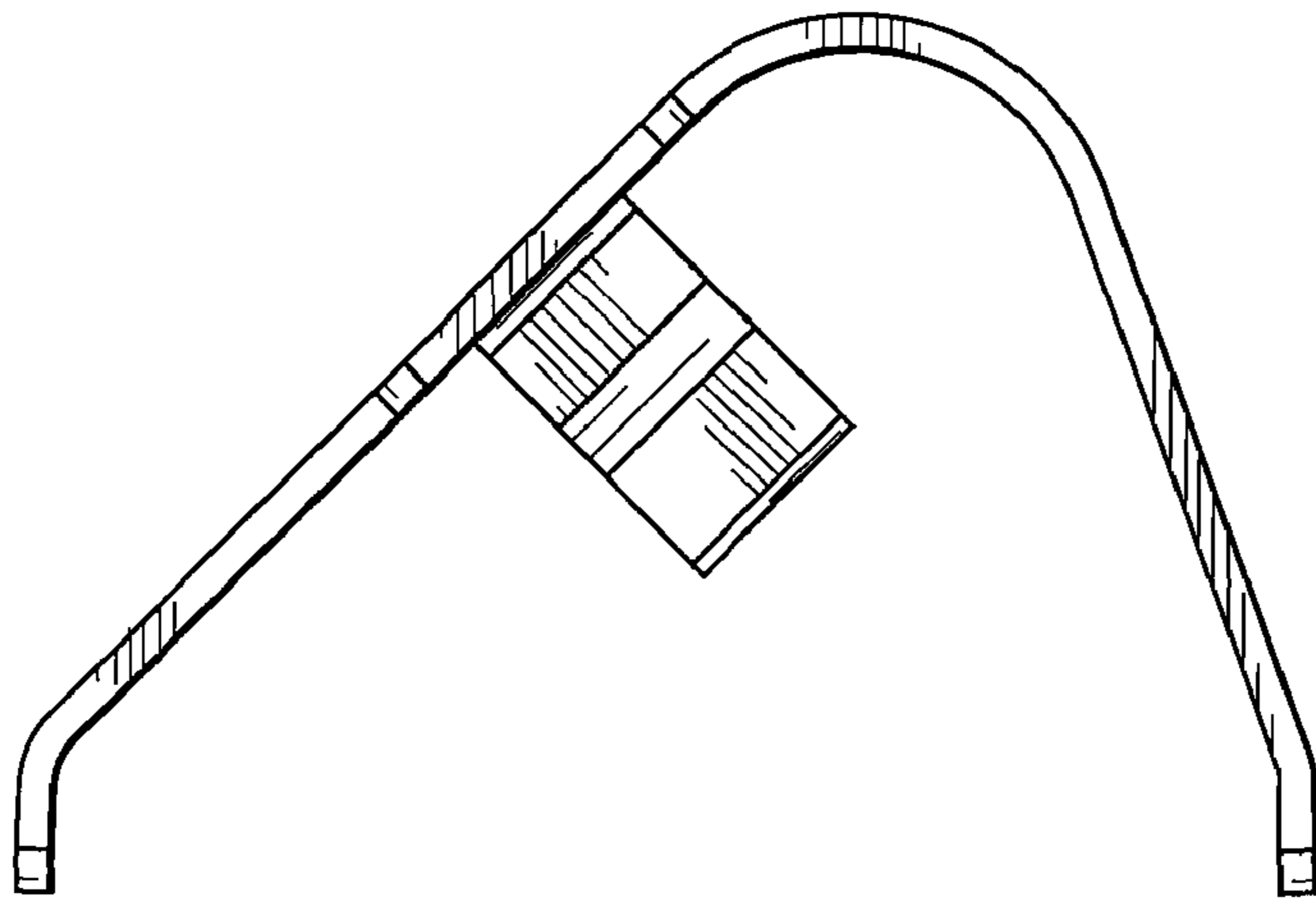


FIG. 6

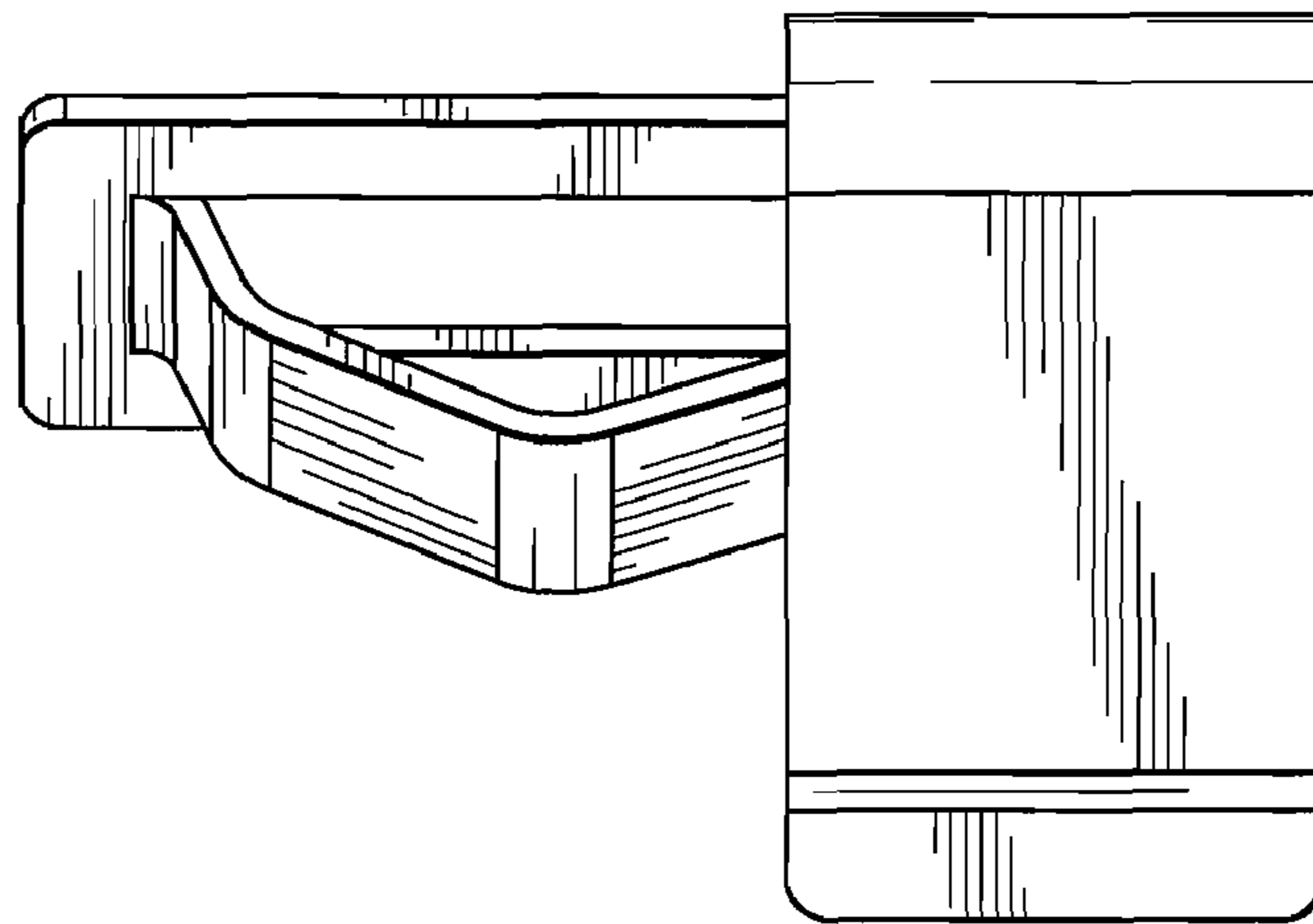


FIG. 7

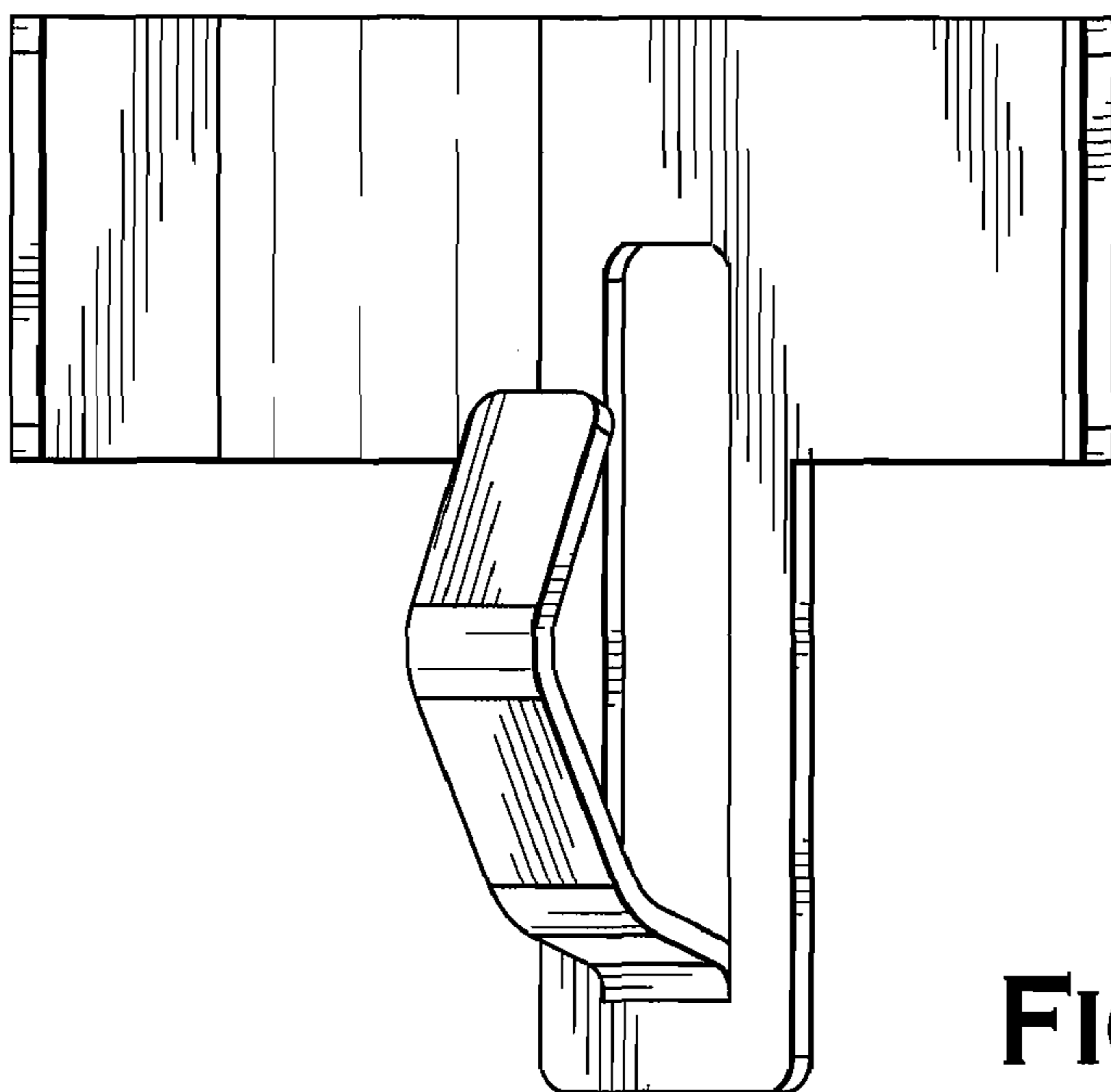


FIG. 8