



US00D573011S

(12) **United States Design Patent**
Decker et al.

(10) **Patent No.:** **US D573,011 S**
(45) **Date of Patent:** **** Jul. 15, 2008**

(54) **CONTAINER MOUNTING BRACKET**

(75) Inventors: **Kip K. Decker**, Neenah, WI (US); **Todd R. Lappi**, Atlanta, GA (US); **Craig J. Algier**, Westminster, MA (US)

(73) Assignee: **Georgia-Pacific Consumer Products LP**, Atlanta, GA (US)

(**) Term: **14 Years**

(21) Appl. No.: **29/284,756**

(22) Filed: **Sep. 14, 2007**

(51) **LOC (8) Cl.** **08-05**

(52) **U.S. Cl.** **D8/380**

(58) **Field of Classification Search** D8/381, D8/380, 371, 370, 366, 354; 47/40; 248/313, 248/274.1, 27.8, 231.41, 228.3, 220.41, 220.31, 248/208, 311.2, 217.1, 302; D12/317
See application file for complete search history.

(56) **References Cited**

U.S. PATENT DOCUMENTS

1,137,583	A *	4/1915	Cox	248/311.2
1,584,857	A *	5/1926	Hobbs	248/311.2
D118,124	S	12/1938	Maclean		
2,279,442	A *	4/1942	Burns et al.	248/311.2
2,294,151	A *	8/1942	Wooten, Jr. et al.	248/217.1
2,681,164	A	6/1954	Kalfen		
2,747,825	A *	5/1956	Lachenmayer	248/302
2,883,139	A	4/1959	Dobkin		
3,168,275	A	2/1965	Grondin		
3,204,903	A *	9/1965	Stoddard	248/302
3,258,238	A	6/1966	Grafton		
3,288,416	A	11/1966	Franklin		
D217,472	S *	5/1970	Lovitz	D8/370
3,921,948	A *	11/1975	Long	248/220.41
D251,579	S *	4/1979	Calgaro	D8/370
4,267,997	A	5/1981	Meier		

4,290,529	A	9/1981	Jones et al.		
4,324,381	A *	4/1982	Morris	248/311.2
D282,323	S *	1/1986	Fetty	D8/380
4,601,938	A	7/1986	Deacon et al.		
5,074,506	A *	12/1991	Larsen	248/311.2
5,673,835	A *	10/1997	Kalat	248/311.2
D409,338	S	5/1999	Gallardo		
6,065,727	A	5/2000	Fitzgerald et al.		
6,158,614	A	12/2000	Haines et al.		
6,354,462	B1	3/2002	Conran et al.		
D465,449	S *	11/2002	Lindholm	D12/317
6,474,610	B1	11/2002	Hsieh		
6,488,246	B2	12/2002	Song		
6,572,063	B1	6/2003	Gitelman et al.		
7,004,435	B2	2/2006	Formon		
2003/0019974	A1	1/2003	Faulks et al.		

* cited by examiner

Primary Examiner—Gary D. Watson
Assistant Examiner—Susan B Hattan
(74) *Attorney, Agent, or Firm*—Joel T. Charlton

(57) **CLAIM**

The ornamental design for a container mounting bracket, as shown and described.

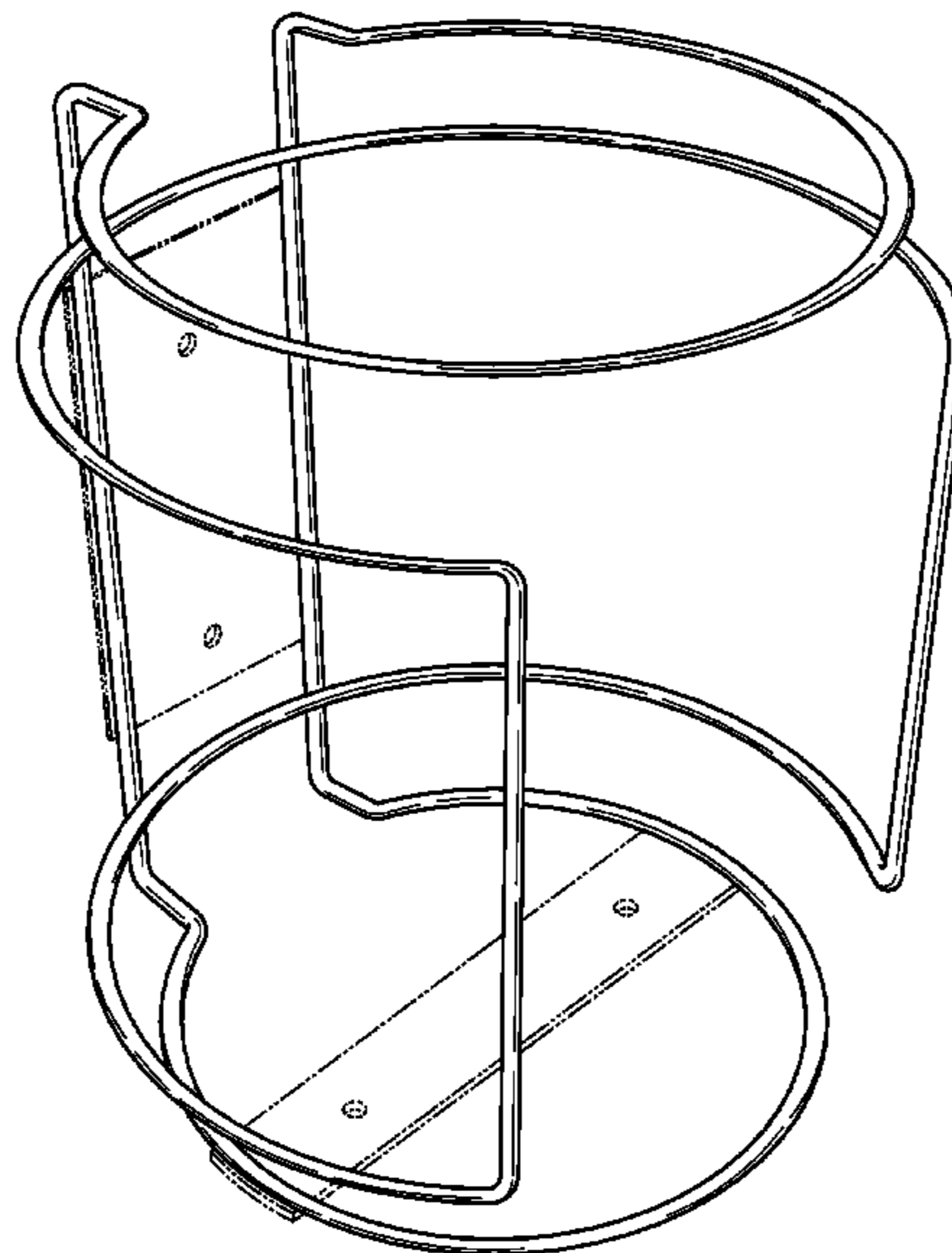
DESCRIPTION

FIG. 1 is a front top perspective view of the container mounting bracket including broken lines, which are used in the present drawing and throughout the drawings to represent environment and which form no part of the claimed design;

FIG. 2 is a front top perspective view of the container mounting bracket, with a container disposed therein to show environment; and,

FIG. 3 is a back top perspective view of the container mounting bracket, with a container disposed therein to show environment.

1 Claim, 3 Drawing Sheets



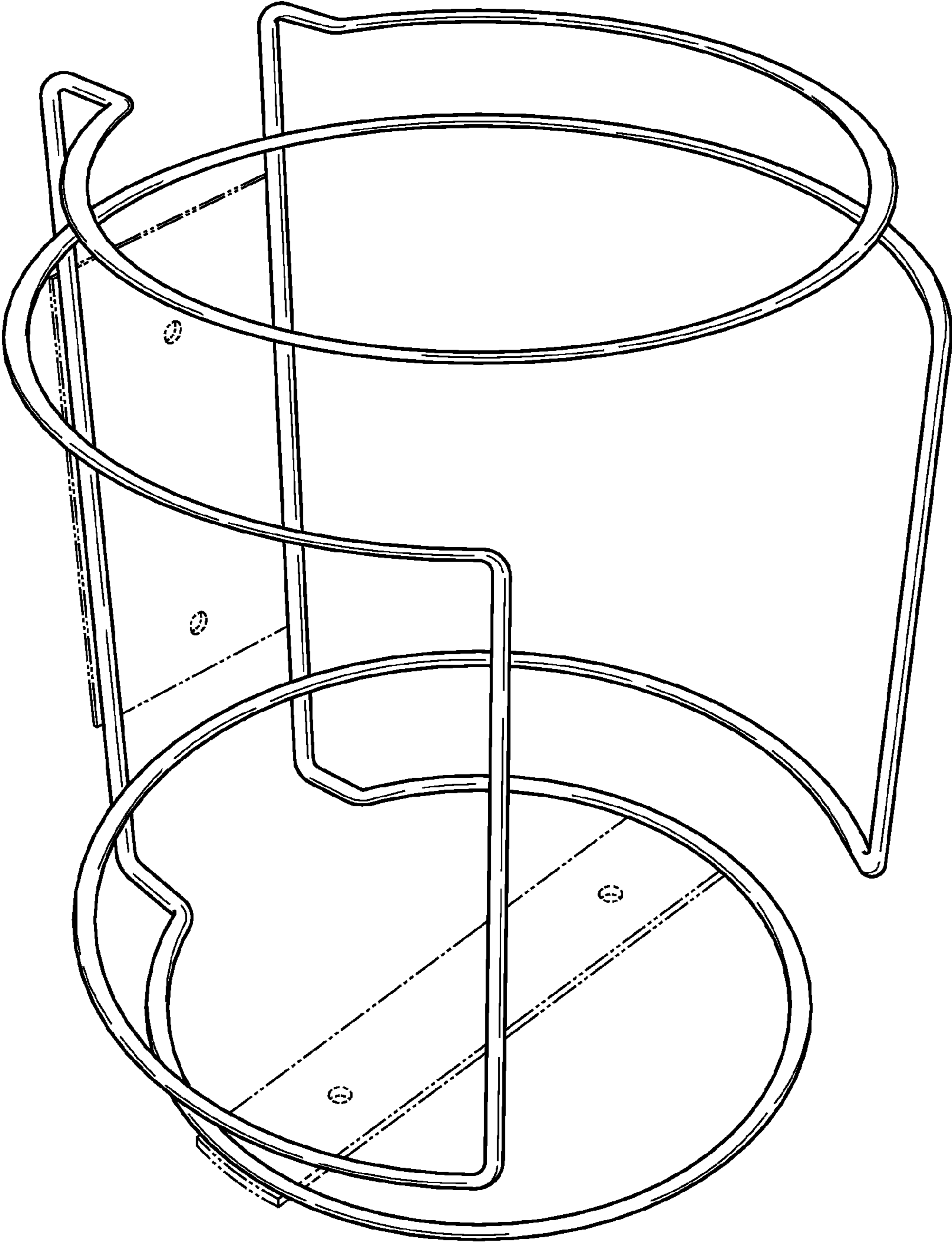


Fig. 1

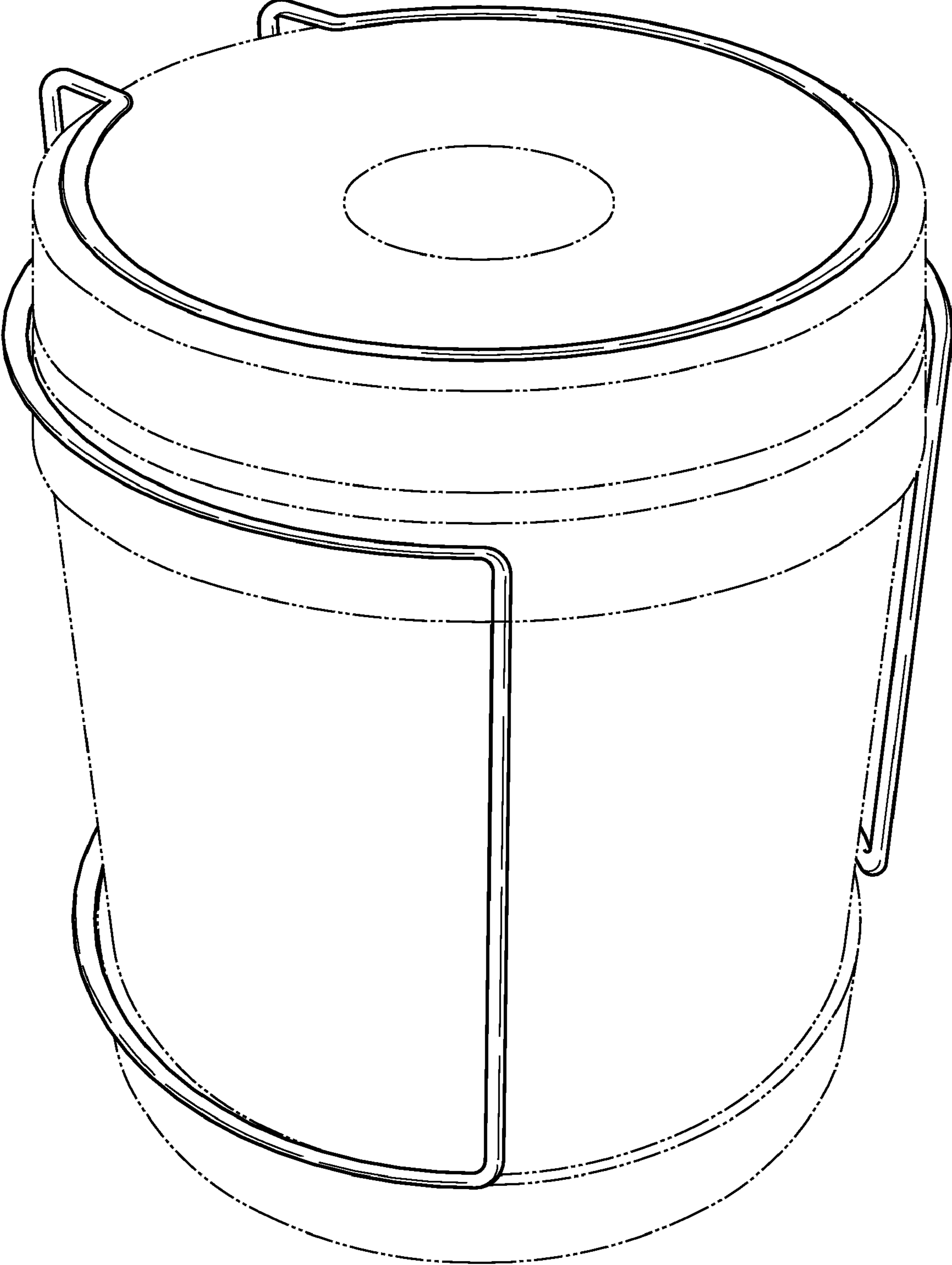


Fig. 2

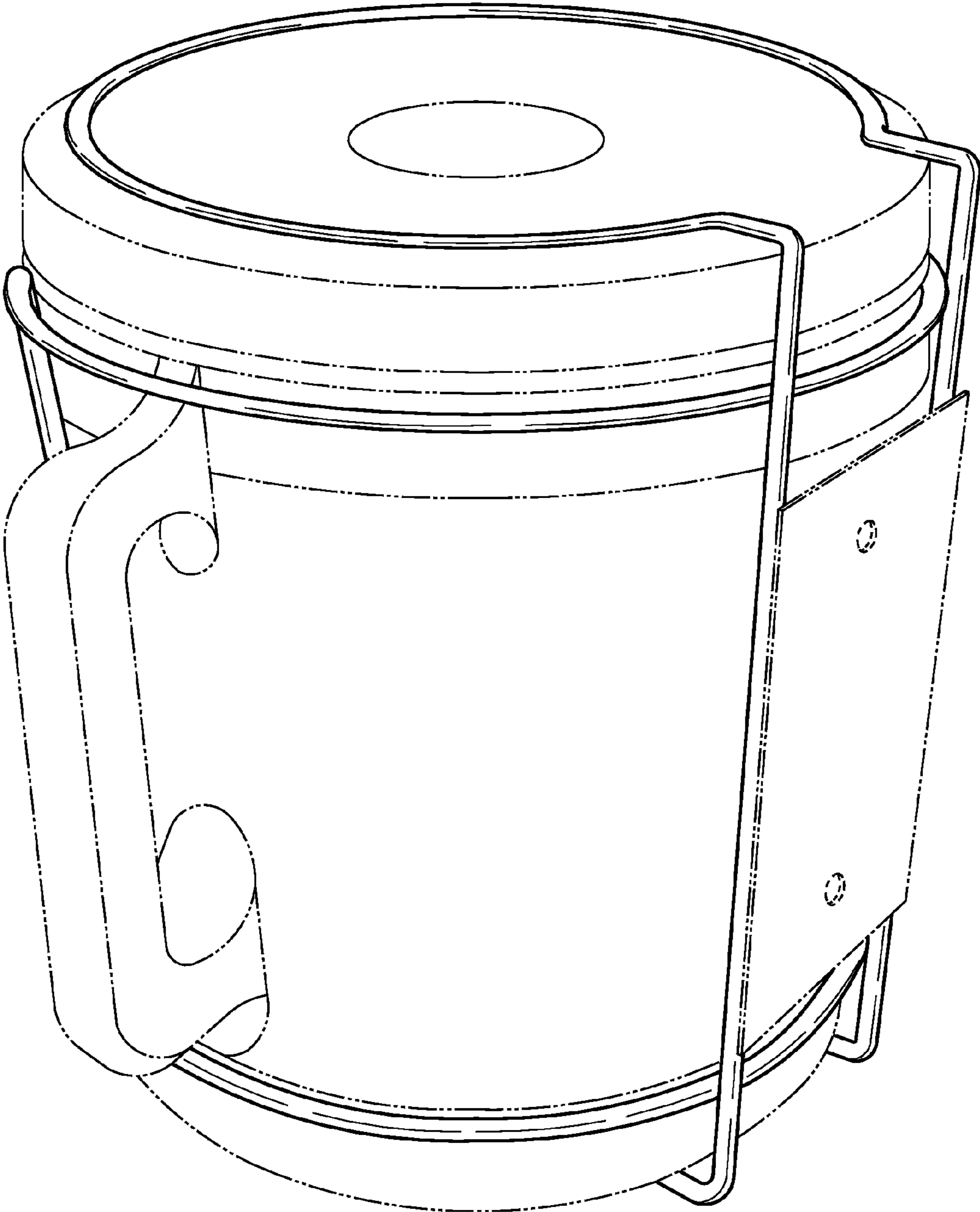


Fig. 3