



US00D573010S

(12) **United States Design Patent**
Lin

(10) **Patent No.:** **US D573,010 S**
(45) **Date of Patent:** **** Jul. 15, 2008**

(54) **DOUBLE-PEDAL DOUBLE WHEEL CASTER**

D557,596 S * 12/2007 Screen D8/375

(75) Inventor: **Qing-Song Lin**, Douliou (TW)

* cited by examiner

(73) Assignee: **Catis Pacific Mfg. Corp. Ltd.**, Yunlin (TW)

Primary Examiner—Gary D. Watson

Assistant Examiner—Susan B Hattan

(74) *Attorney, Agent, or Firm*—Banger Shia

(**) Term: **14 Years**

(57) **CLAIM**

(21) Appl. No.: **29/295,286**

The ornamental design for a double-pedal double wheel caster, as shown and described.

(22) Filed: **Sep. 25, 2007**

(51) **LOC (8) Cl.** **08-05**

(52) **U.S. Cl.** **D8/375**

(58) **Field of Classification Search** D8/375;
D34/27; D3/318; D12/501, 209, 208, 207;
188/1.12; 16/47, 46, 45, 35 R, 35 D, 31 R,
16/29, 22, 18 R, 18 CG

See application file for complete search history.

DESCRIPTION

FIG. 1 is a perspective view of a double-pedal double wheel caster showing my new design;

FIG. 2 is a front elevational view thereof;

FIG. 3 is a rear elevational view thereof;

FIG. 4 is a left side elevational view thereof;

FIG. 5 is a right side elevational view thereof;

FIG. 6 is a top plan view thereof; and,

FIG. 7 is a bottom plan view to that shown.

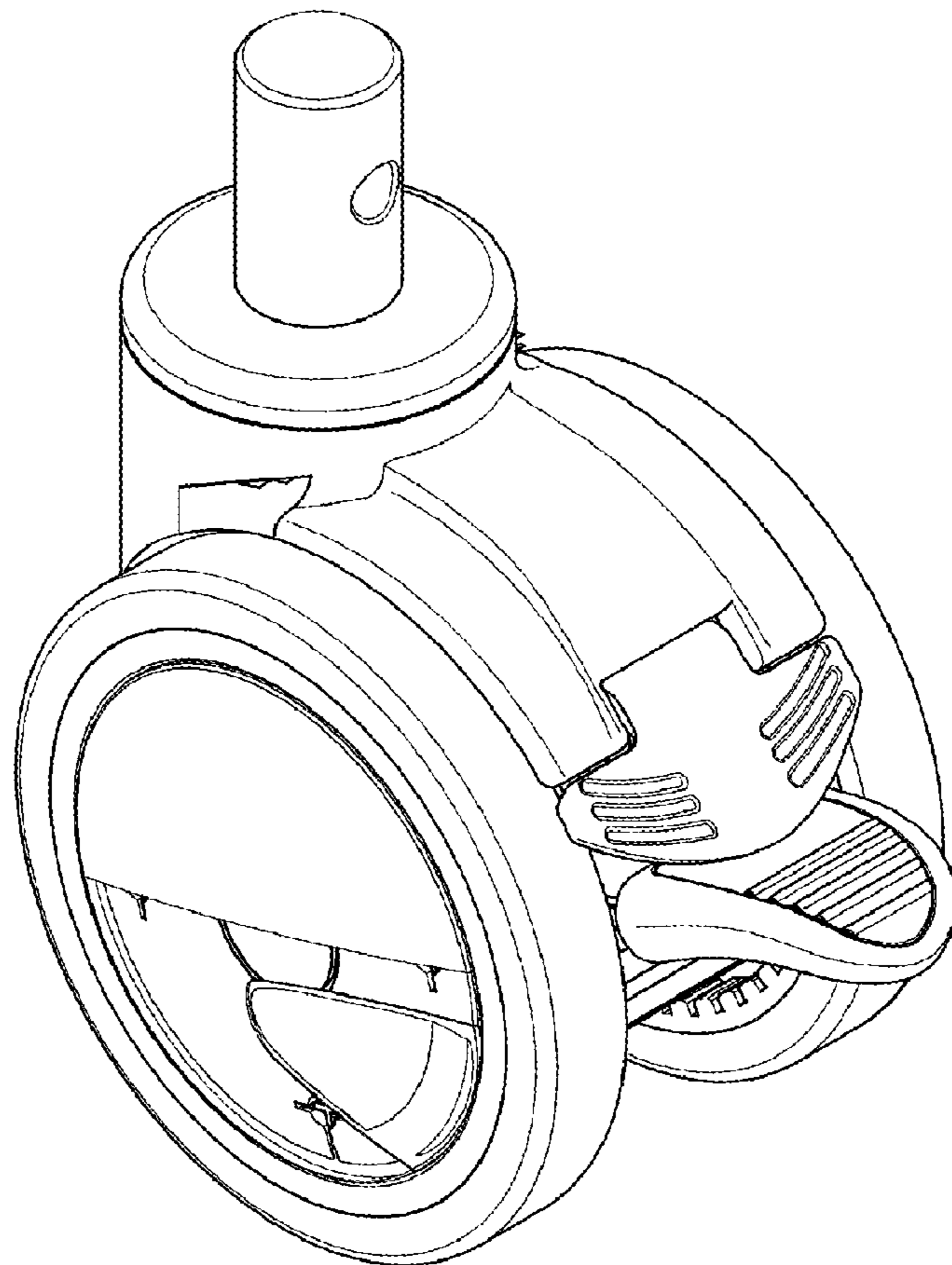
(56) **References Cited**

U.S. PATENT DOCUMENTS

D456,697 S * 5/2002 Holbrook D8/375

D457,809 S * 5/2002 Holbrook D8/375

1 Claim, 7 Drawing Sheets



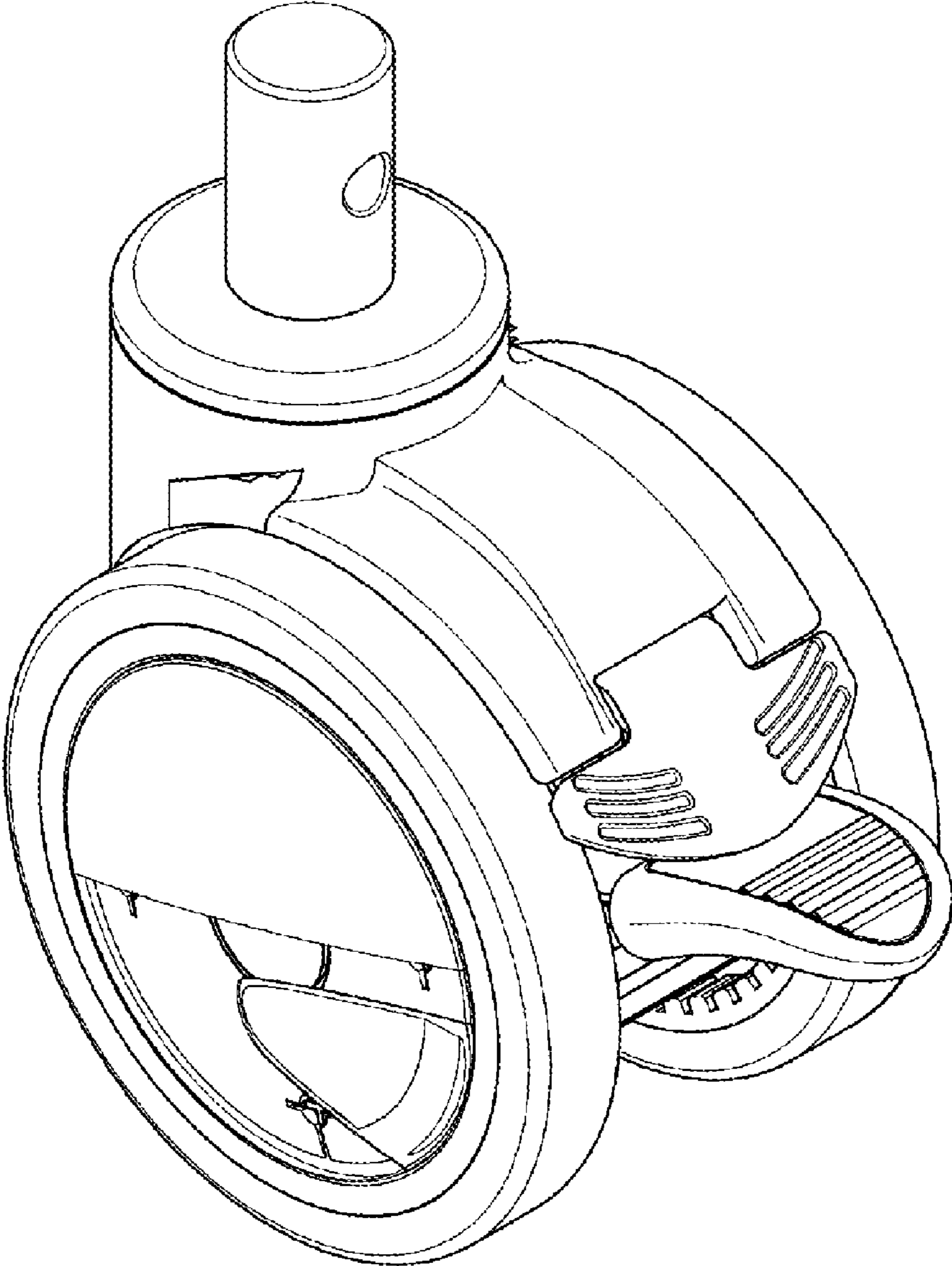


FIG. 1

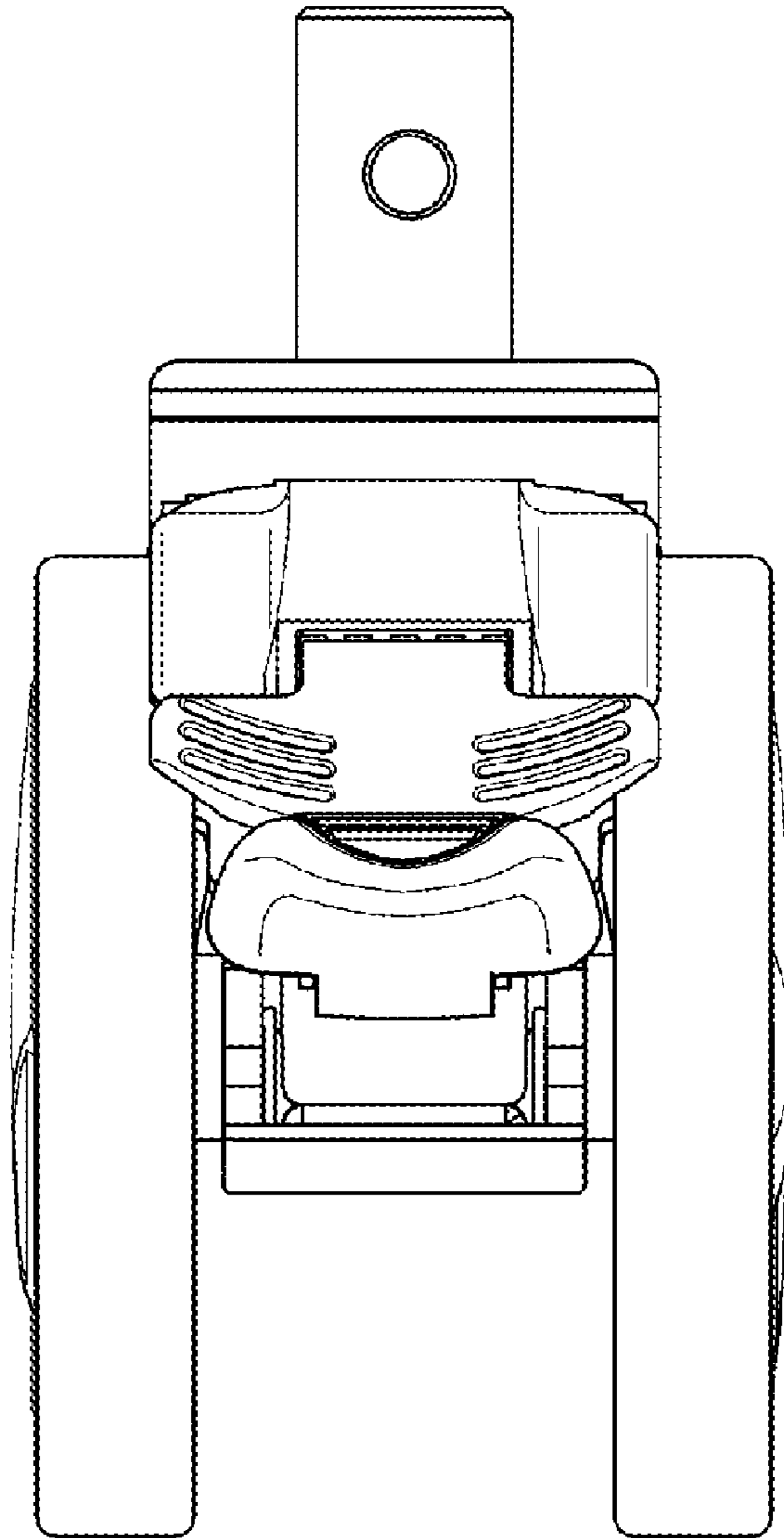


FIG. 2

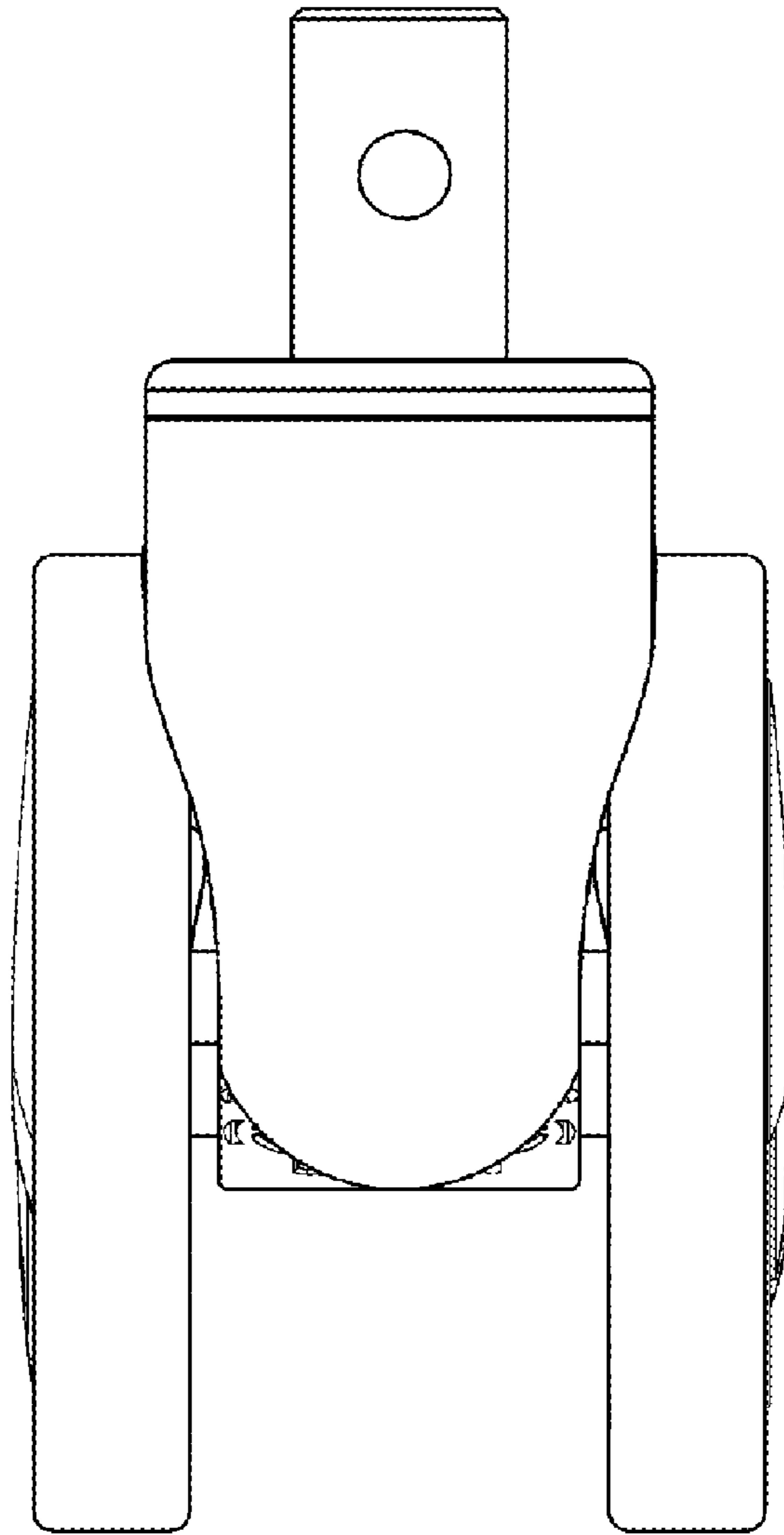


FIG. 3

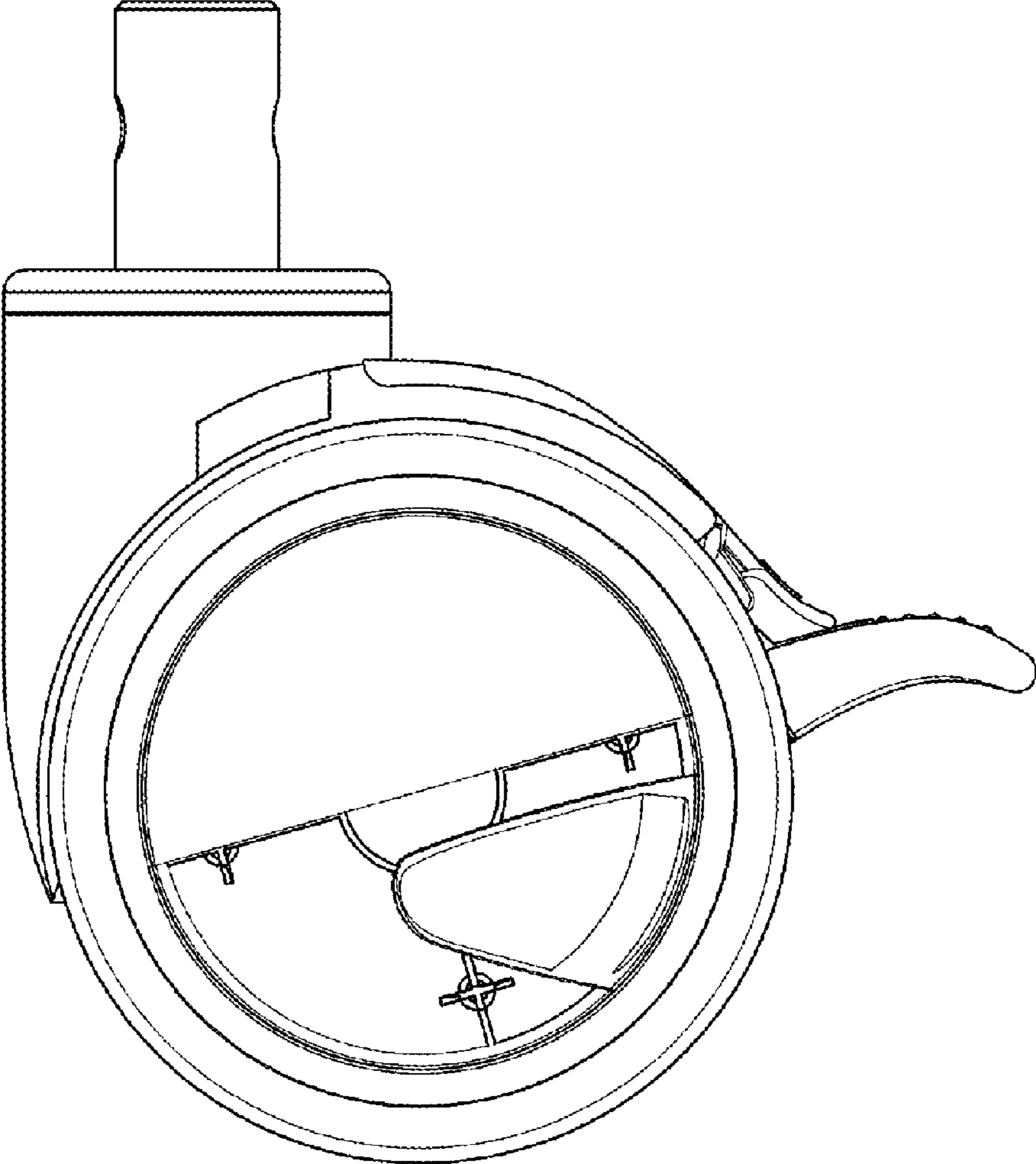


FIG. 4

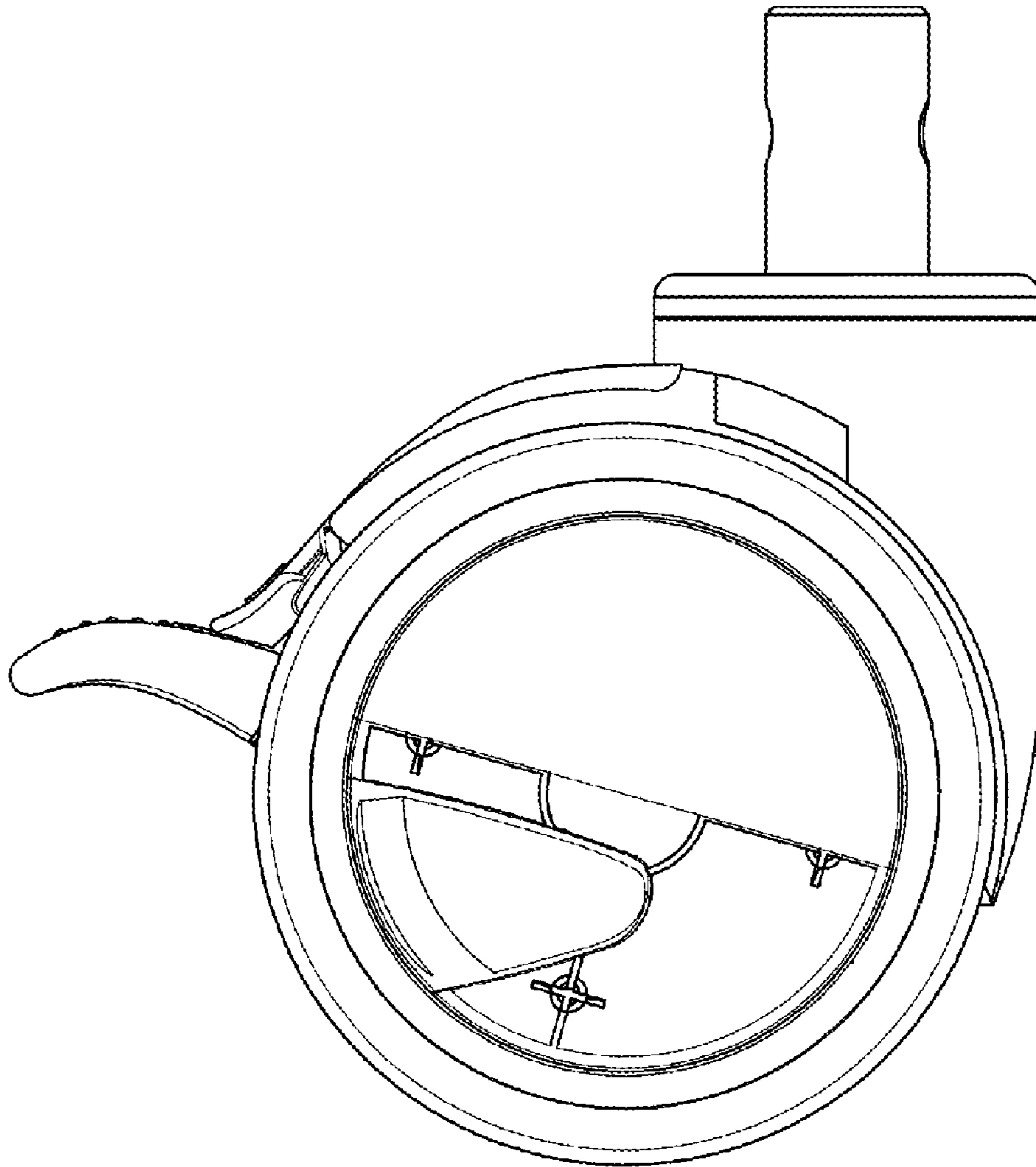


FIG. 5

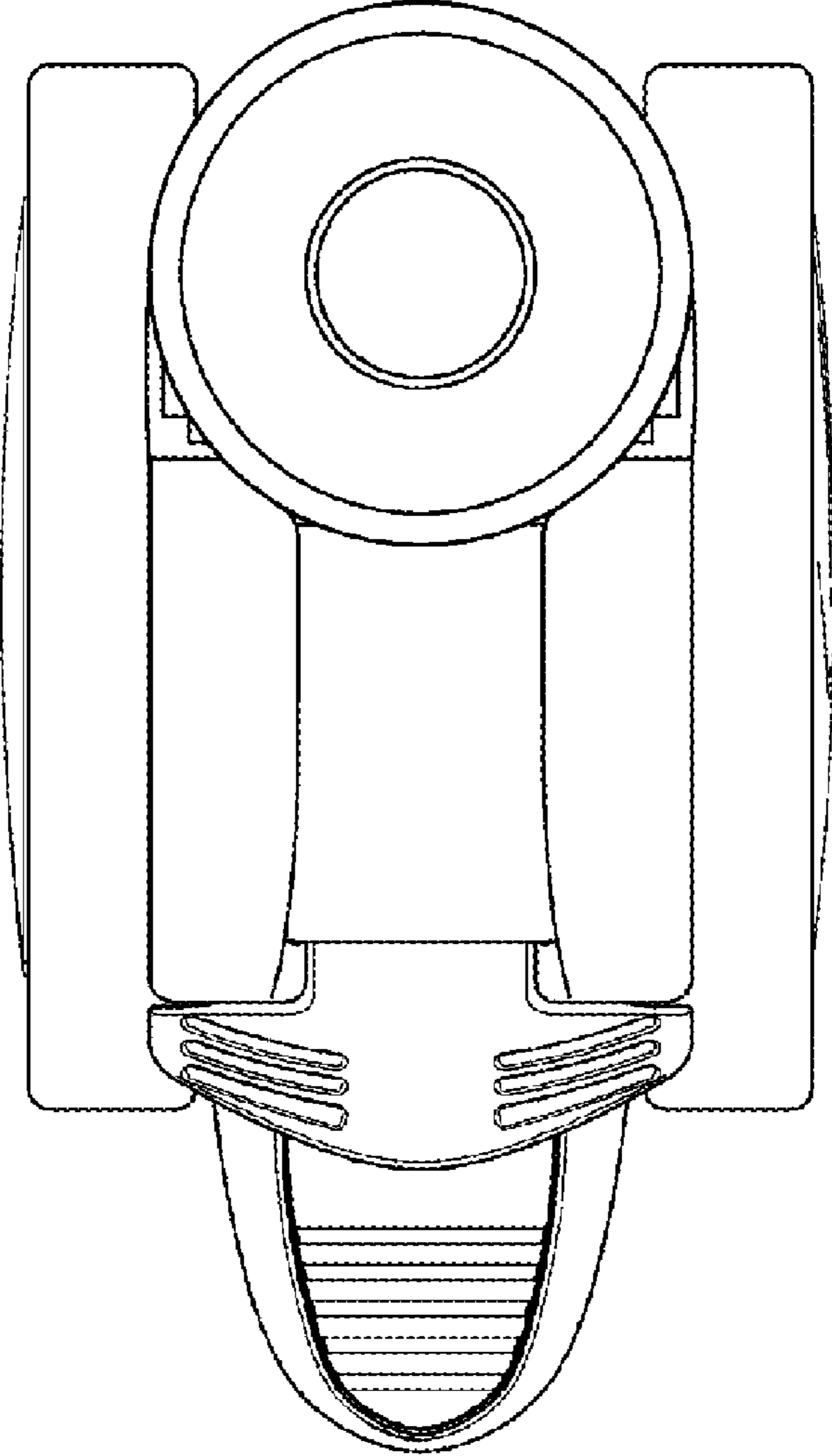


FIG. 6

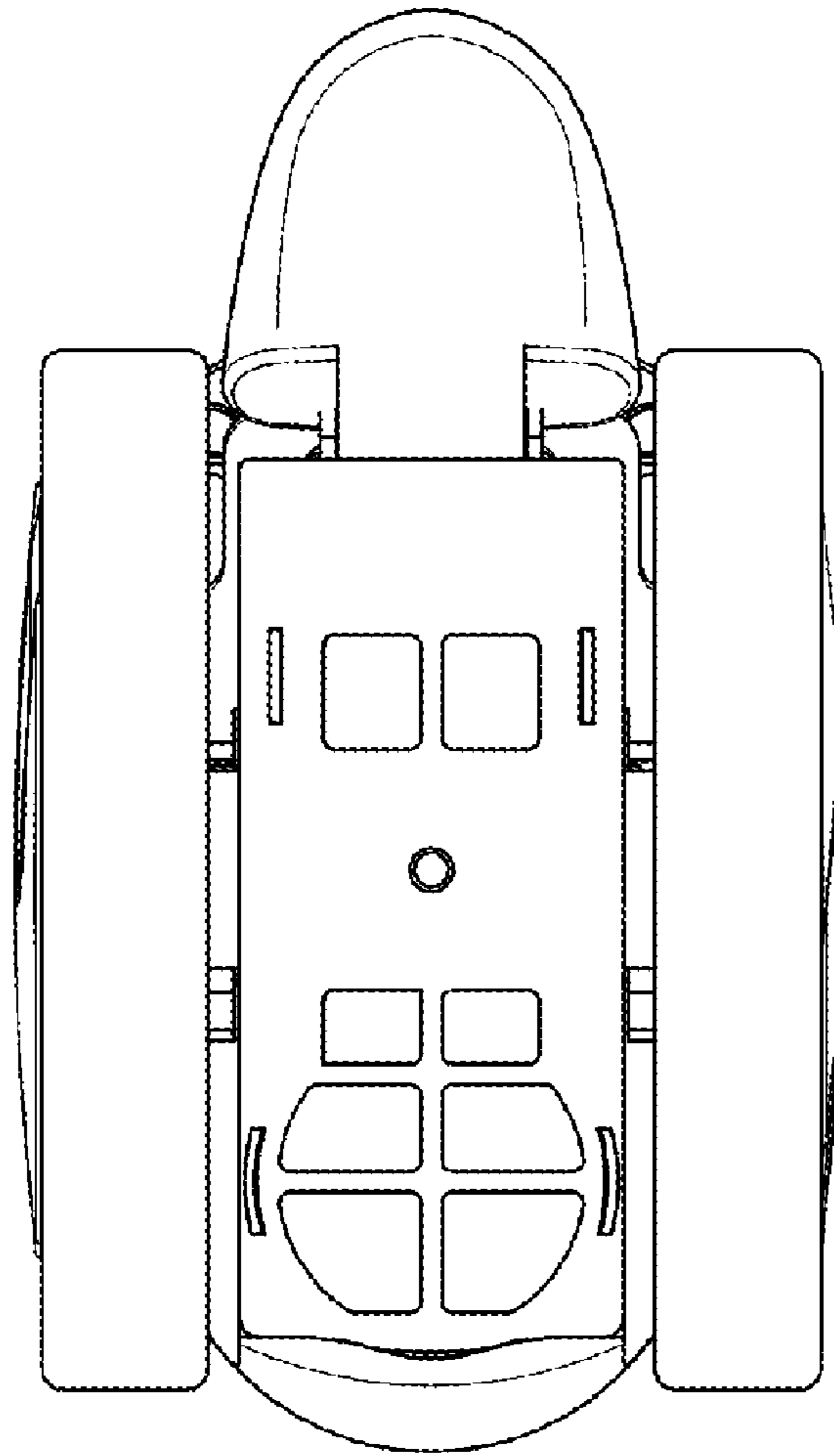


FIG. 7