



US00D572999S

(12) **United States Design Patent**
Gulley

(10) **Patent No.:** **US D572,999 S**

(45) **Date of Patent:** **** Jul. 15, 2008**

(54) **T-HANDLE**

(75) Inventor: **Thomas D. Gulley**, Covina, CA (US)

(73) Assignee: **Hardware Imports, Inc**, Covina, CA (US)

(**) Term: **14 Years**

(21) Appl. No.: **29/286,836**

(22) Filed: **May 18, 2007**

(51) **LOC (8) Cl.** **08-06**

(52) **U.S. Cl.** **D8/306**

(58) **Field of Classification Search** D8/300,
D8/301, 302, 306, 307, 336, 337, 338, 350,
D8/352; 16/110.1, 402, 412, 445; 70/208,
70/211, 91, 28; 292/336.3, 347, 356, DIG. 12,
292/DIG. 30, DIG. 31, 218, 121
See application file for complete search history.

(56) **References Cited**

U.S. PATENT DOCUMENTS

4,706,478	A *	11/1987	Swan et al.	70/208
D323,776	S *	2/1992	Hansen	D8/338
D328,231	S *	7/1992	Hansen	D8/301
5,526,660	A *	6/1996	Bennett et al.	70/208
5,984,383	A *	11/1999	Parikh et al.	292/121
D442,844	S *	5/2001	Mirick	D8/301
D457,799	S *	5/2002	Weinerman et al.	D8/301

D469,331	S *	1/2003	Hansen	D8/306
6,530,250	B1 *	3/2003	Linares et al.	70/208
6,623,052	B2 *	9/2003	Hansen	292/336.3
6,976,375	B2 *	12/2005	Minix	70/208

* cited by examiner

Primary Examiner—Paula A Greene

(74) *Attorney, Agent, or Firm*—Maria Erlinda Co Sarno

(57) **CLAIM**

The ornamental design for a T-handle, as shown and described.

DESCRIPTION

FIG. 1 is a front perspective view of the T-handle showing my new design;

FIG. 2 is a front perspective view of the T-handle thereof;

FIG. 3 is a front view of the of the T-handle thereof;

FIG. 4 is a rear view of the of the T-handle thereof;

FIG. 5 is a left side view of the T-handle thereof, the right side is a mirror image;

FIG. 6 is a top view of the of the T-handle thereof; and,

FIG. 7 is a bottom view of the T-handle thereof.

The broken lines are included for the purpose of illustration and form no part of the claimed design.

1 Claim, 4 Drawing Sheets

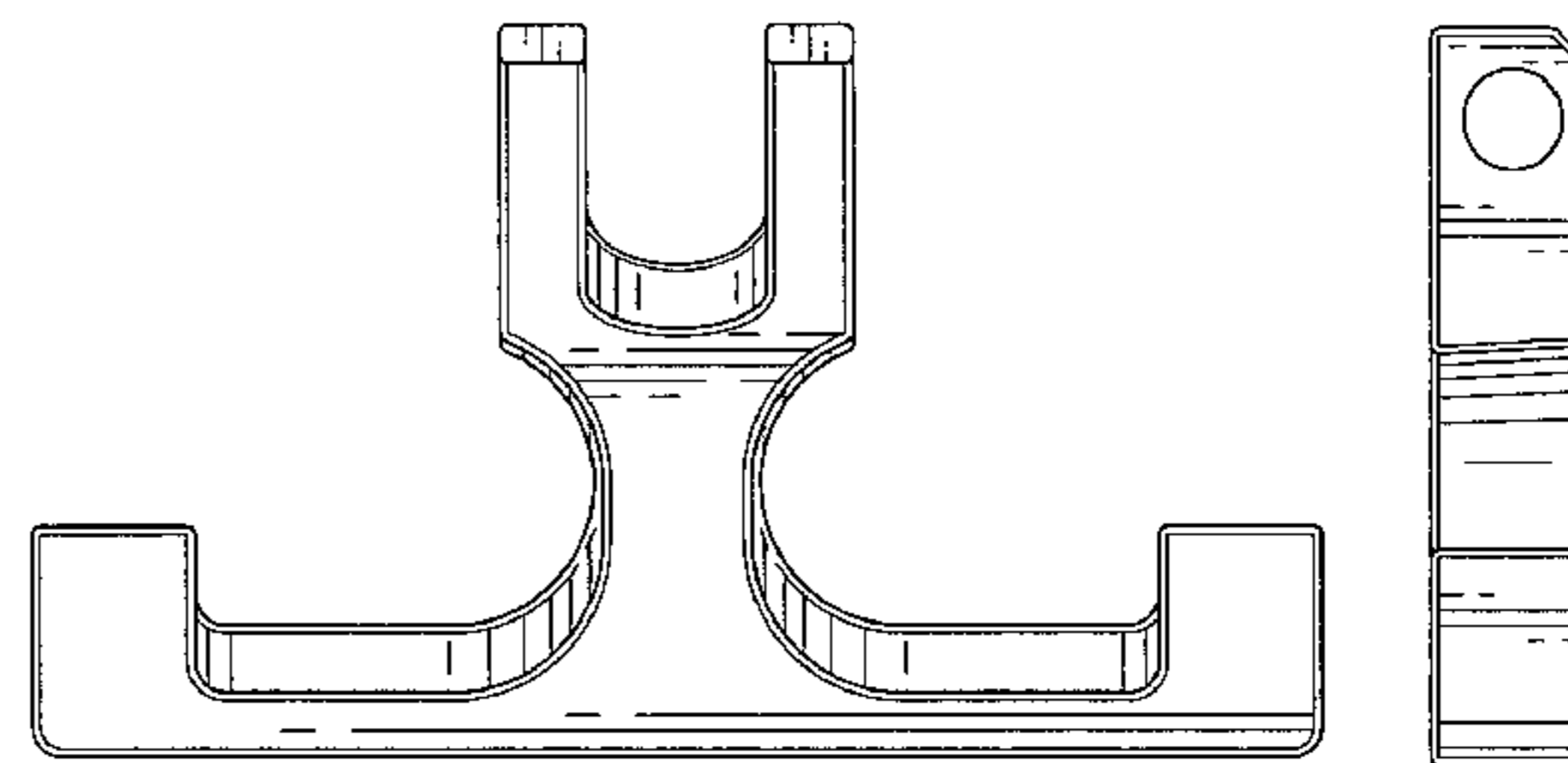
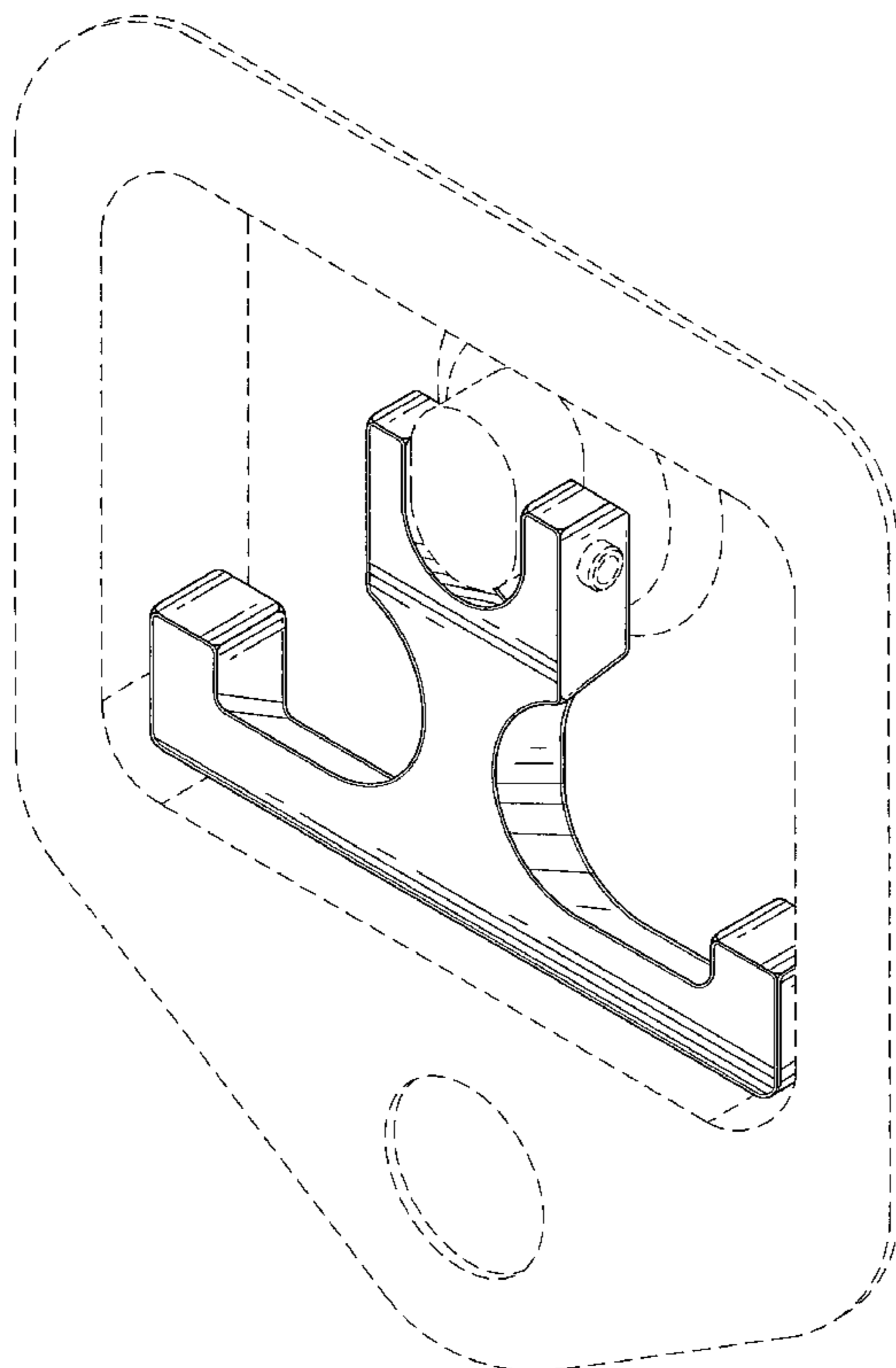


FIG. 1

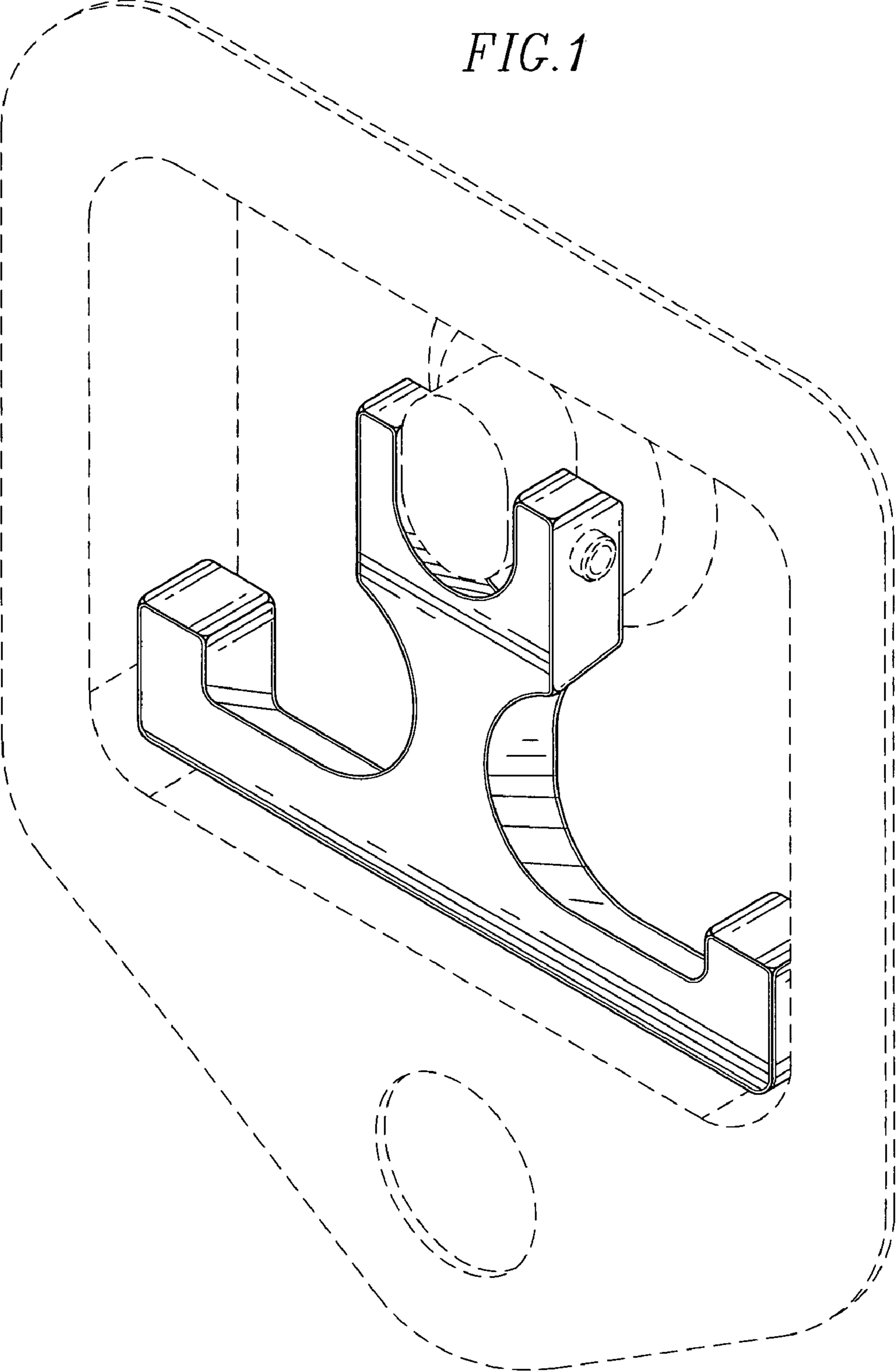


FIG. 2

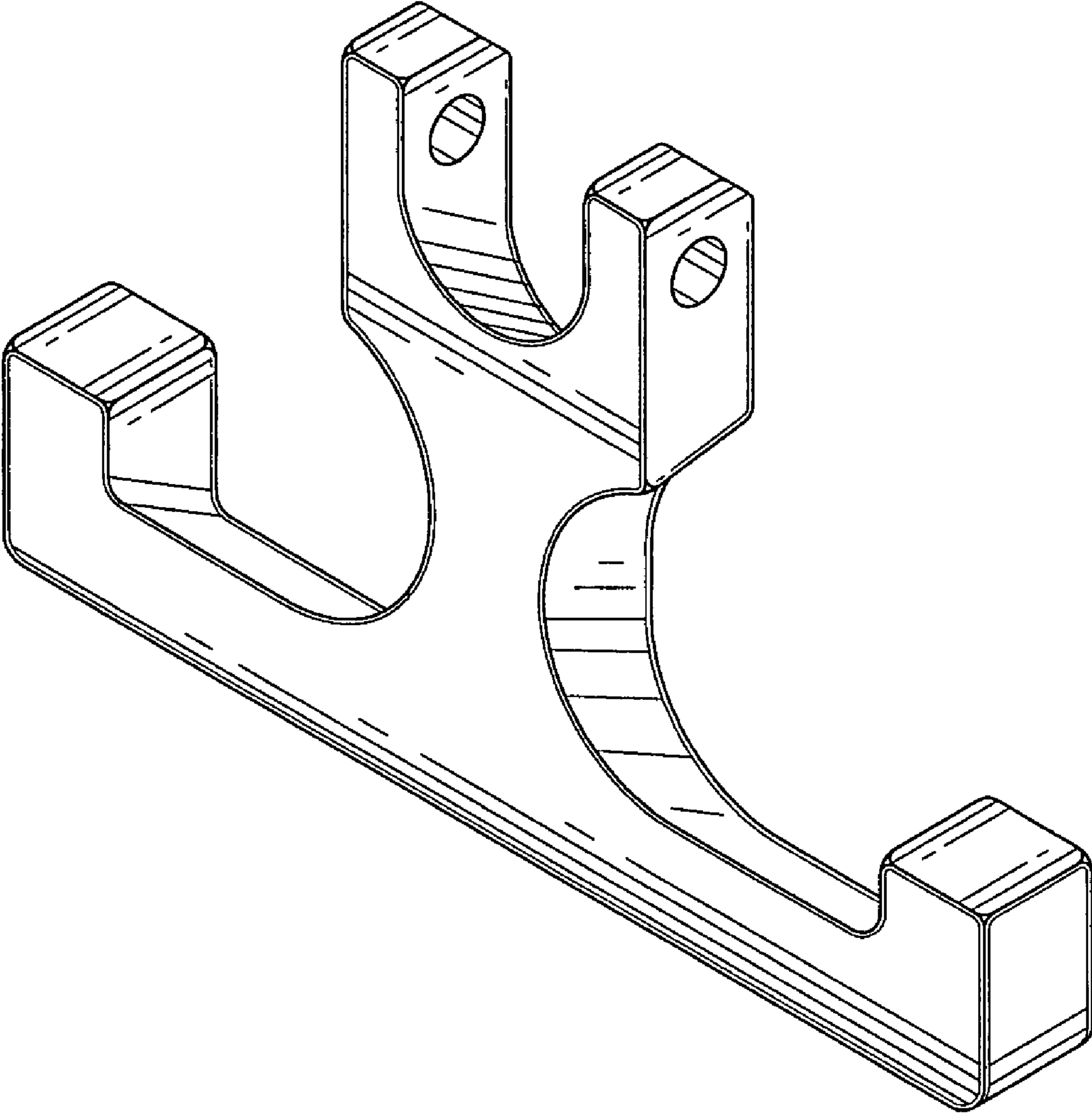


FIG. 3

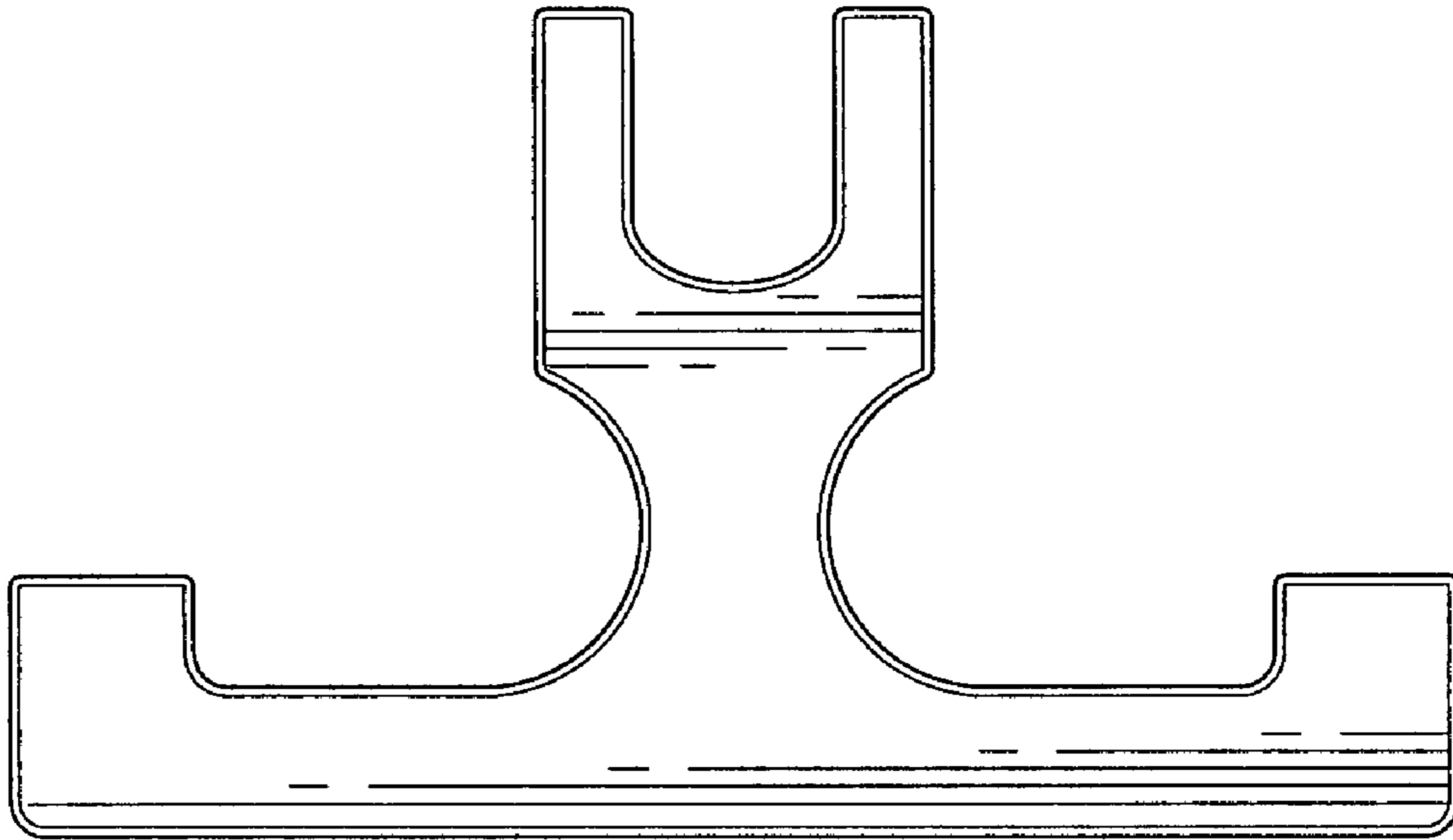


FIG. 4

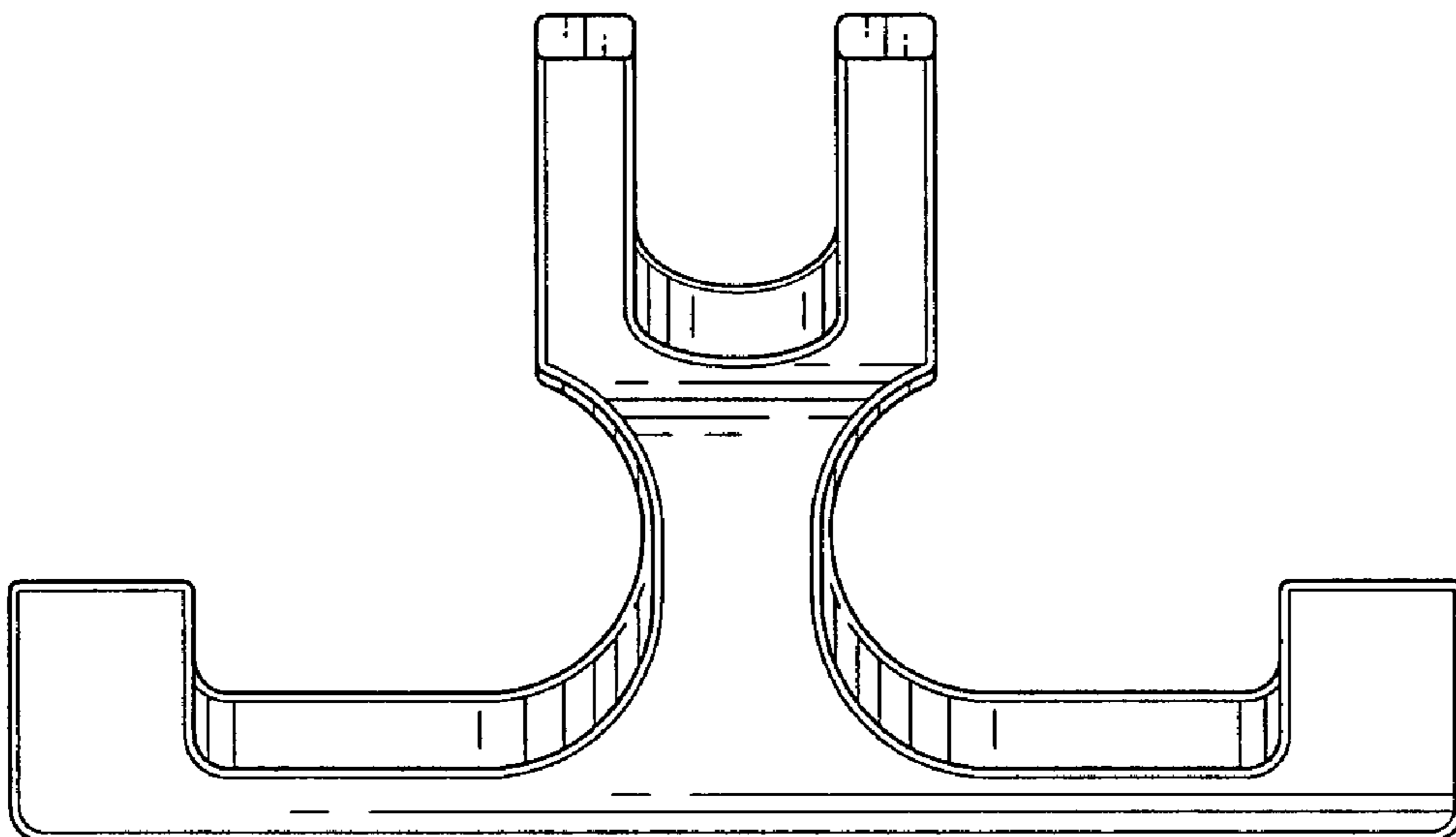


FIG. 5

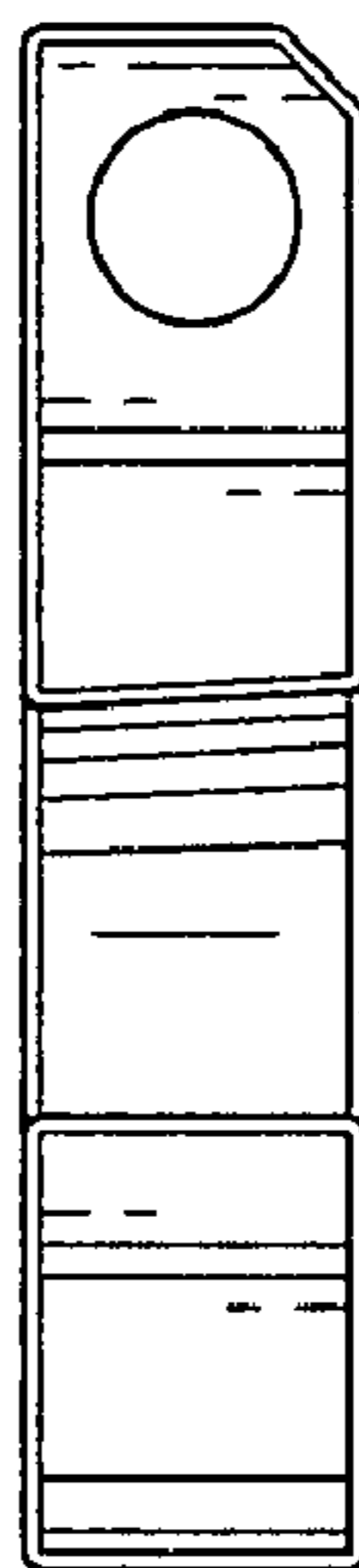


FIG. 6

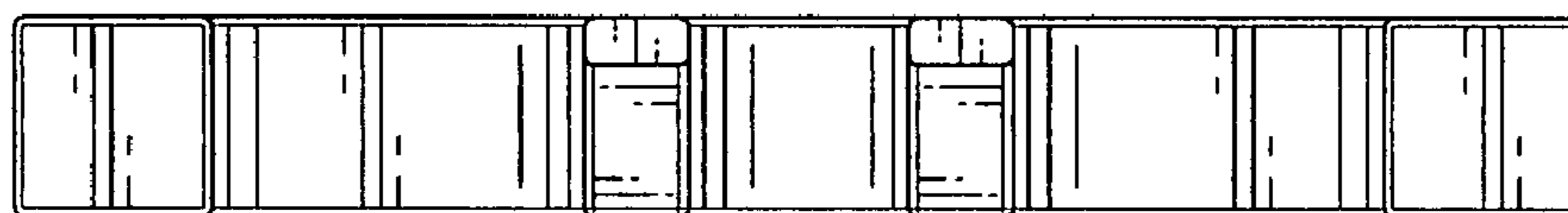


FIG. 7

