



US00D572998S

(12) **United States Design Patent**
Crain et al.

(10) **Patent No.:** **US D572,998 S**
(45) **Date of Patent:** **** Jul. 15, 2008**

(54) **STAR SHAPED KNOB**

(75) Inventors: **Stephen B. Crain**, Cape Girardeau, MO (US); **Ralph C. Mize**, Jonesboro, IL (US); **Lindsey Marie Davis**, Cape Girardeau, MO (US)

(73) Assignee: **Crain Enterprises, Inc.**, Mound City, IL (US)

(**) Term: **14 Years**

(21) Appl. No.: **29/280,085**

(22) Filed: **May 16, 2007**

(51) **LOC (8) Cl.** **08-06**

(52) **U.S. Cl.** **D8/305; D8/307**

(58) **Field of Classification Search** D8/300, D8/305, 312, 397, DIG. 2, 307; D23/250; D11/70, 108; D10/103; 16/110.1, 441, 422, 16/430, DIG. 12; 411/427; 74/526, 553
See application file for complete search history.

(56) **References Cited**

U.S. PATENT DOCUMENTS

D33,861 S *	1/1901	Glauber	D23/250
D192,951 S *	5/1962	Jeffrey	D23/250
3,561,287 A *	2/1971	Lawrence, Jr.	74/553
D271,937 S	12/1983	Combs		
D278,029 S *	3/1985	Suponitsky	D8/397
D288,777 S *	3/1987	Kwon	D8/397

5,329,829 A	7/1994	Sell		
D448,693 S *	10/2001	Crafoord	D10/103
D459,646 S	7/2002	Bertani		
6,457,208 B1 *	10/2002	Keith	16/422
6,513,200 B2 *	2/2003	Yang	16/441
7,111,365 B1	9/2006	Howie, Jr.		
2005/0283049 A1	12/2005	Seki		

* cited by examiner

Primary Examiner—Paula A Greene

(74) *Attorney, Agent, or Firm*—Senniger Powers LLP

(57) **CLAIM**

The ornamental design for a star shaped knob, as shown and described.

DESCRIPTION

FIG. 1 is a perspective of a star shaped knob showing a screw turned by the knob in phantom;

FIG. 2 is a front end view without illustration of the screw;

FIG. 3 is a right side elevation view thereof, the left side elevation view being a mirror image thereof;

FIG. 4 is a top plan view thereof;

FIG. 5 is a bottom plan view thereof; and,

FIG. 6 is a rear elevational view thereof, undisclosed portions are not part of the claimed design.

The phantom lines in the drawings indicate environmental structure which forms no part of the claimed design.

1 Claim, 6 Drawing Sheets

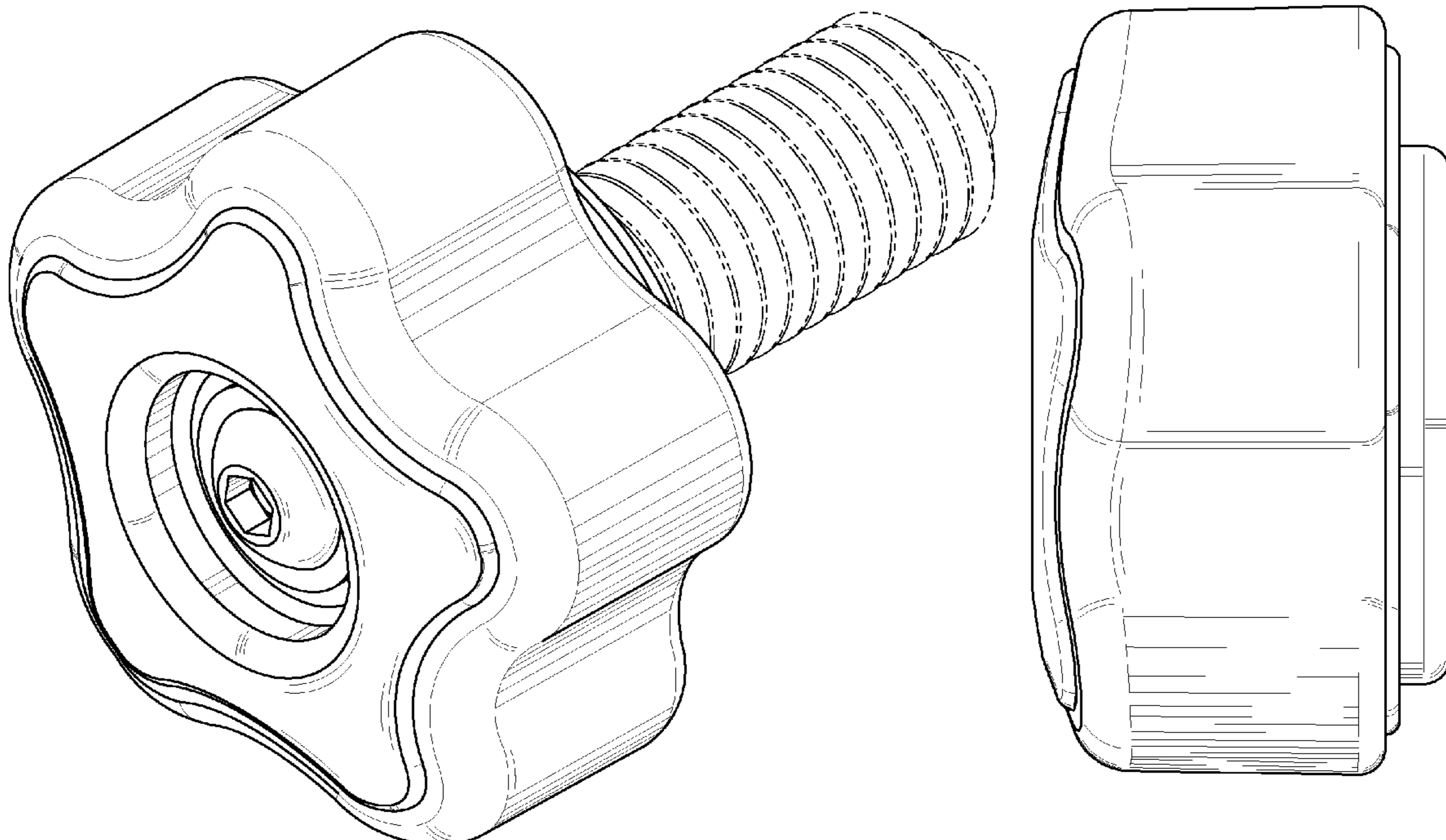


FIG. 1

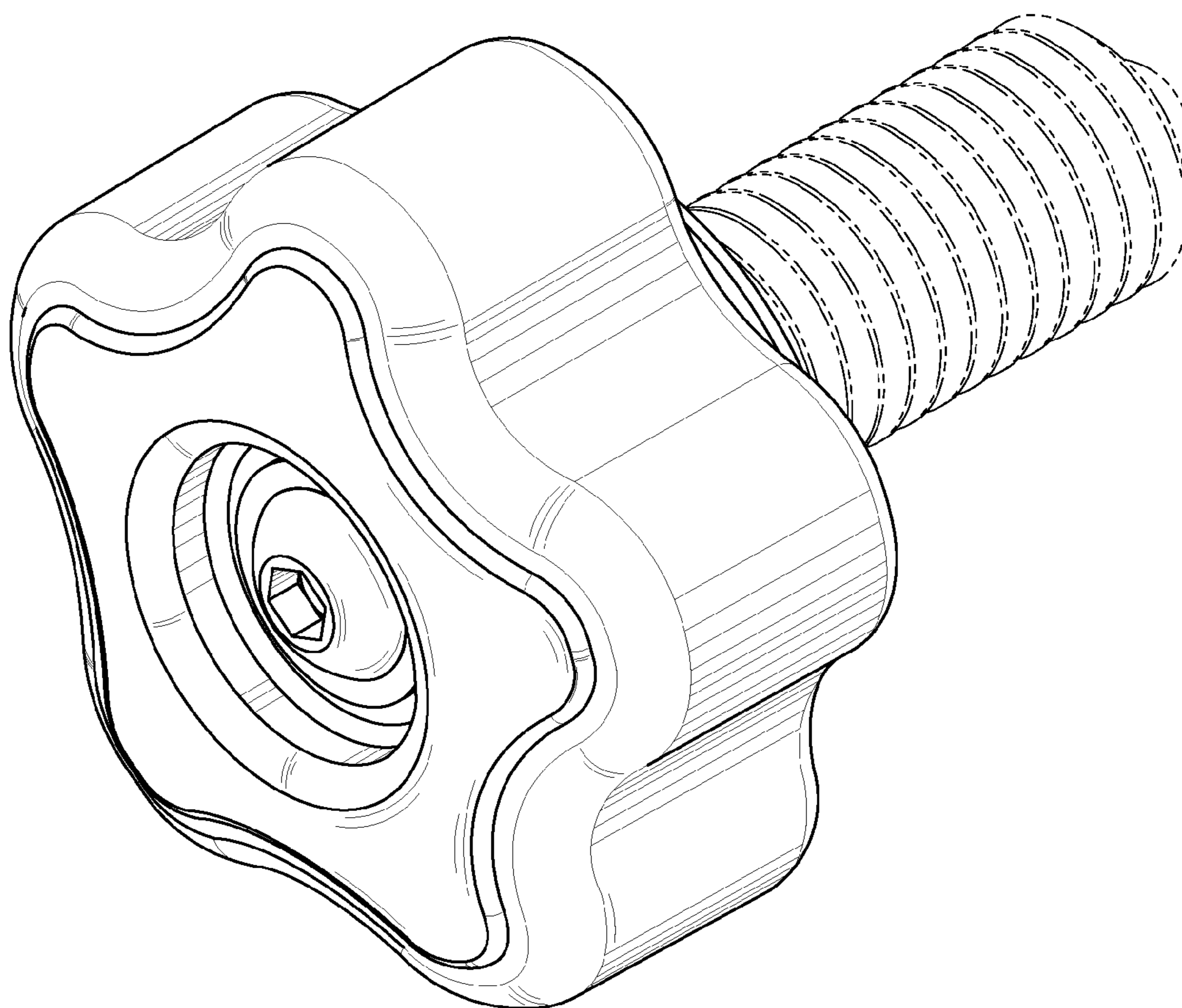


FIG. 2

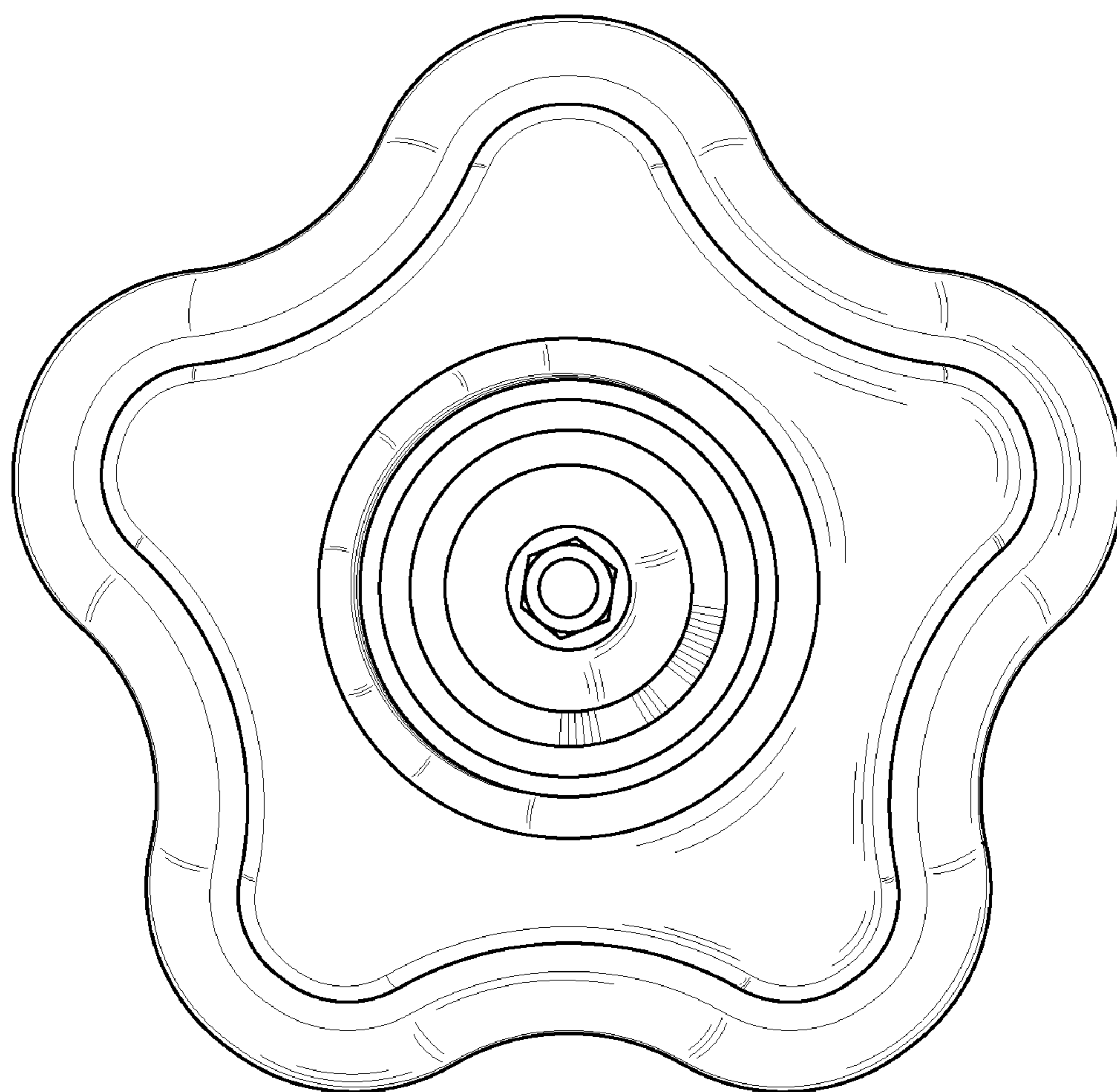


FIG. 3

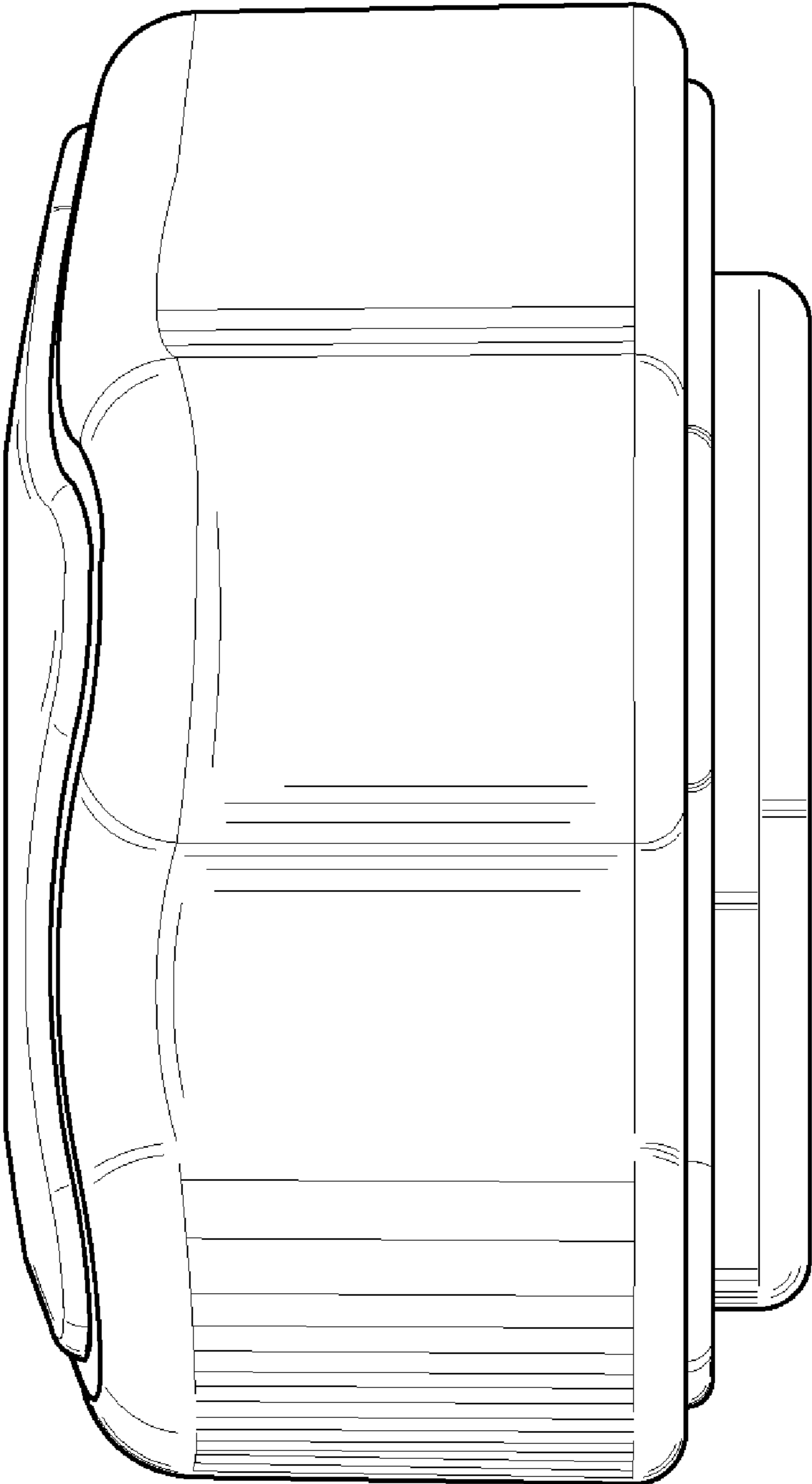


FIG. 4

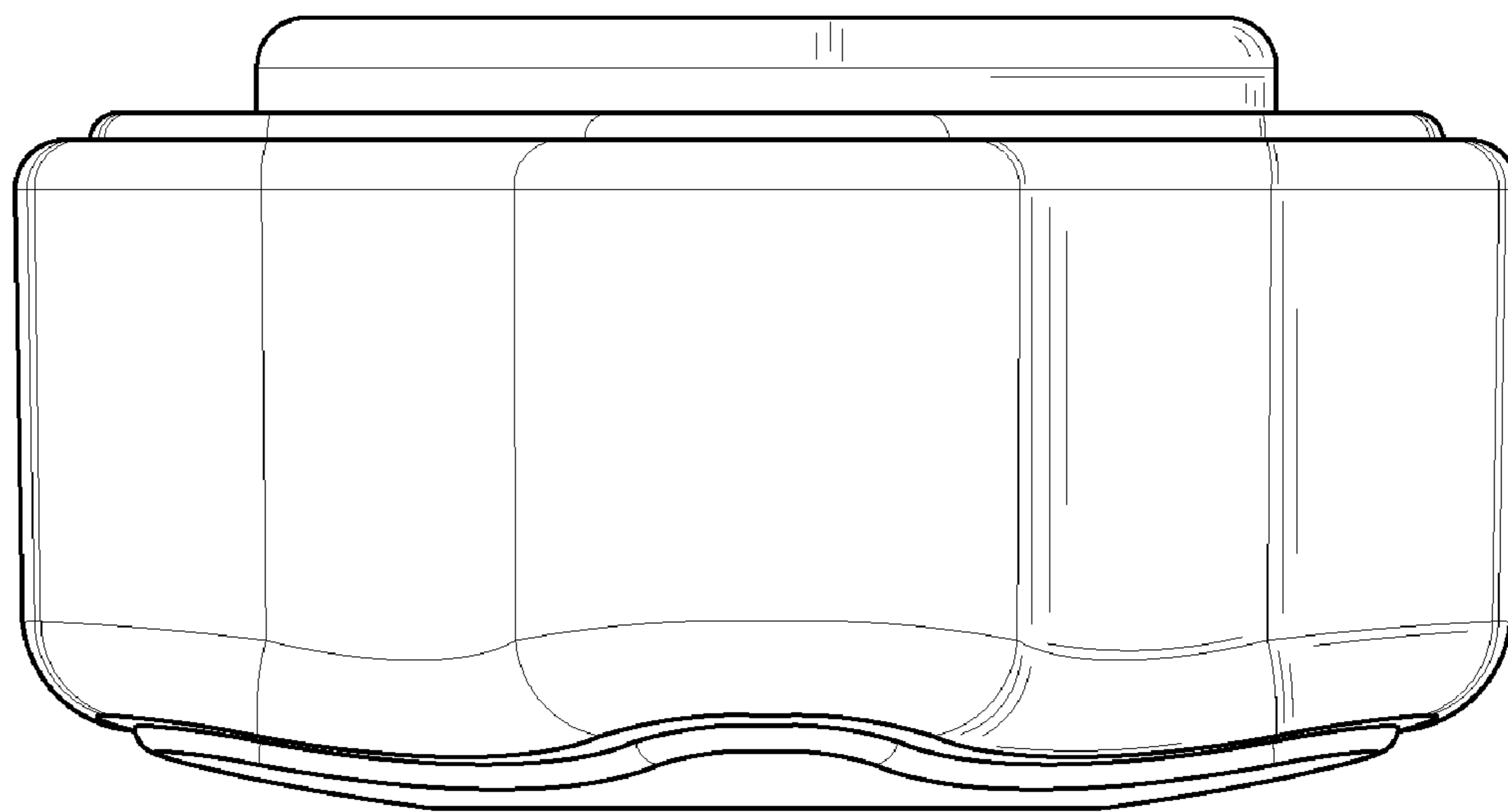


FIG. 5

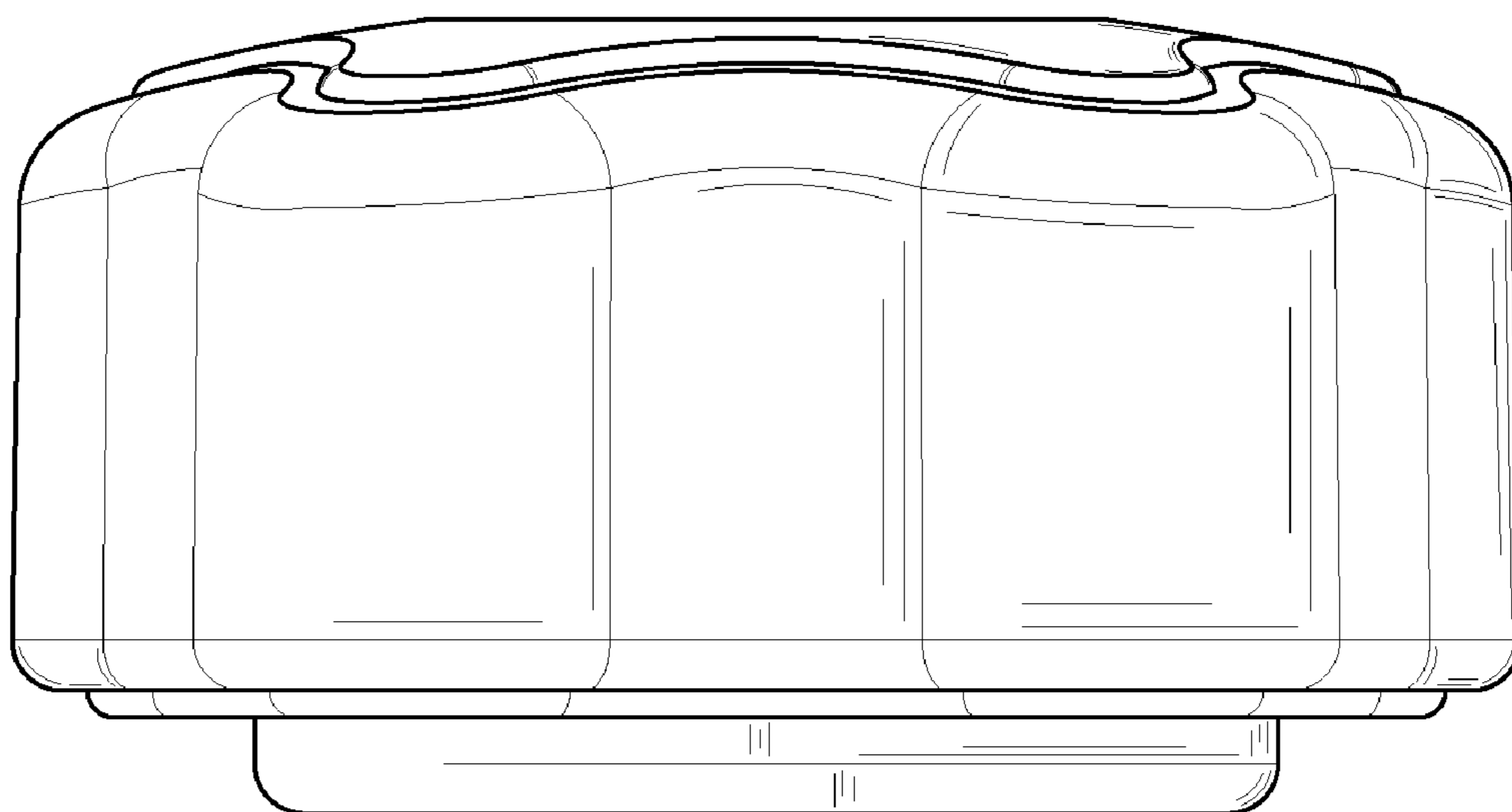


FIG. 6

