



US00D572997S

(12) **United States Design Patent**  
**Gulley**

(10) **Patent No.:** **US D572,997 S**

(45) **Date of Patent:** **\*\* Jul. 15, 2008**

(54) **PADDLE HANDLE**

(75) Inventor: **Thomas D. Gulley**, Covina, CA (US)

(73) Assignee: **Hardware Imports, Inc**, Covina, CA (US)

(\*\*) Term: **14 Years**

(21) Appl. No.: **29/286,835**

(22) Filed: **May 18, 2007**

(51) **LOC (8) Cl.** ..... **08-01**

(52) **U.S. Cl.** ..... **D8/302; D8/306; D8/313**

(58) **Field of Classification Search** ..... **D8/302, D8/306, 313, 331, 338, 343, 346; 16/110.1, 16/412, 435; 292/336.3, 347, DIG. 31; D12/196**  
See application file for complete search history.

(56) **References Cited**

**U.S. PATENT DOCUMENTS**

2,642,300	A *	6/1953	Pelcin	.....	292/173
2,668,076	A *	2/1954	Troche et al.	.....	292/336.3
4,989,907	A *	2/1991	Edmonds et al.	.....	292/223
5,299,844	A *	4/1994	Gleason	.....	292/240
5,927,836	A *	7/1999	Herr et al.	.....	312/244
6,349,577	B1 *	2/2002	Hansen et al.	.....	70/159
D458,110	S *	6/2002	Landeros	.....	D8/338
6,412,145	B1 *	7/2002	Rubel	.....	16/412
6,854,304	B2 *	2/2005	Linares	.....	70/208

D502,380	S *	3/2005	Misner et al.	.....	D8/302
D502,642	S *	3/2005	Misner et al.	.....	D8/302

\* cited by examiner

*Primary Examiner*—Paula A. Greene

(74) *Attorney, Agent, or Firm*—Maria Erlinda Co Sarno

(57) **CLAIM**

The ornamental design for a paddle handle, as shown and described.

**DESCRIPTION**

FIG. 1 is a front perspective view of the paddle handle showing my new design;

FIG. 2 is a front perspective view of the paddle handle thereof;

FIG. 3 is a front view of the of the paddle handle thereof;

FIG. 4 is a rear view of the of the paddle handle thereof;

FIG. 5 is a left side view of the paddle handle thereof, the right side is a mirror image;

FIG. 6 is a top view of the of the paddle handle thereof; and,

FIG. 7 is a bottom view of the paddle handle thereof.

The right side view is similar to the left side view.

The broken lines in FIG. 1 are included for the purpose of illustration and form no part of the claimed design.

**1 Claim, 4 Drawing Sheets**

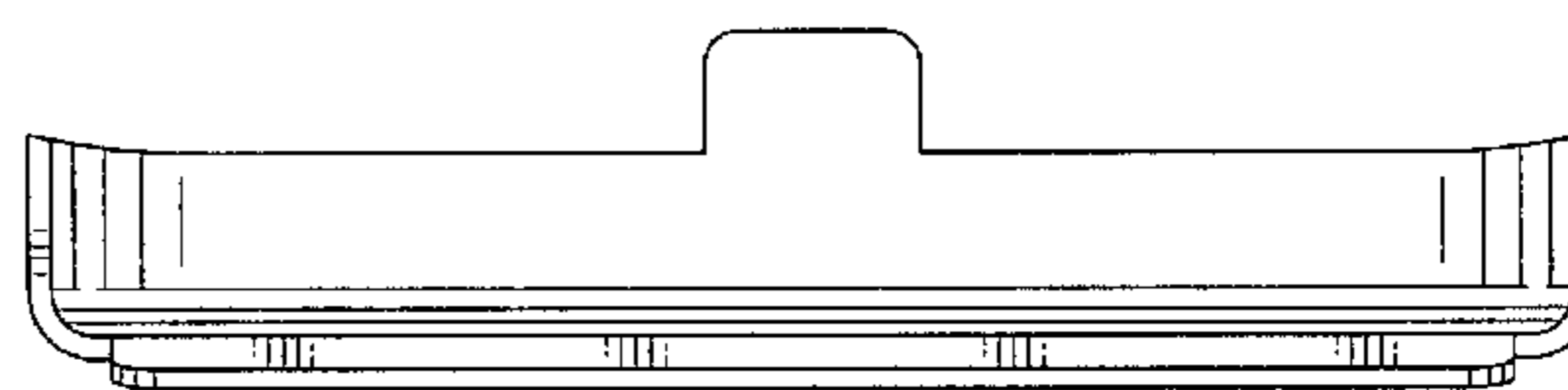
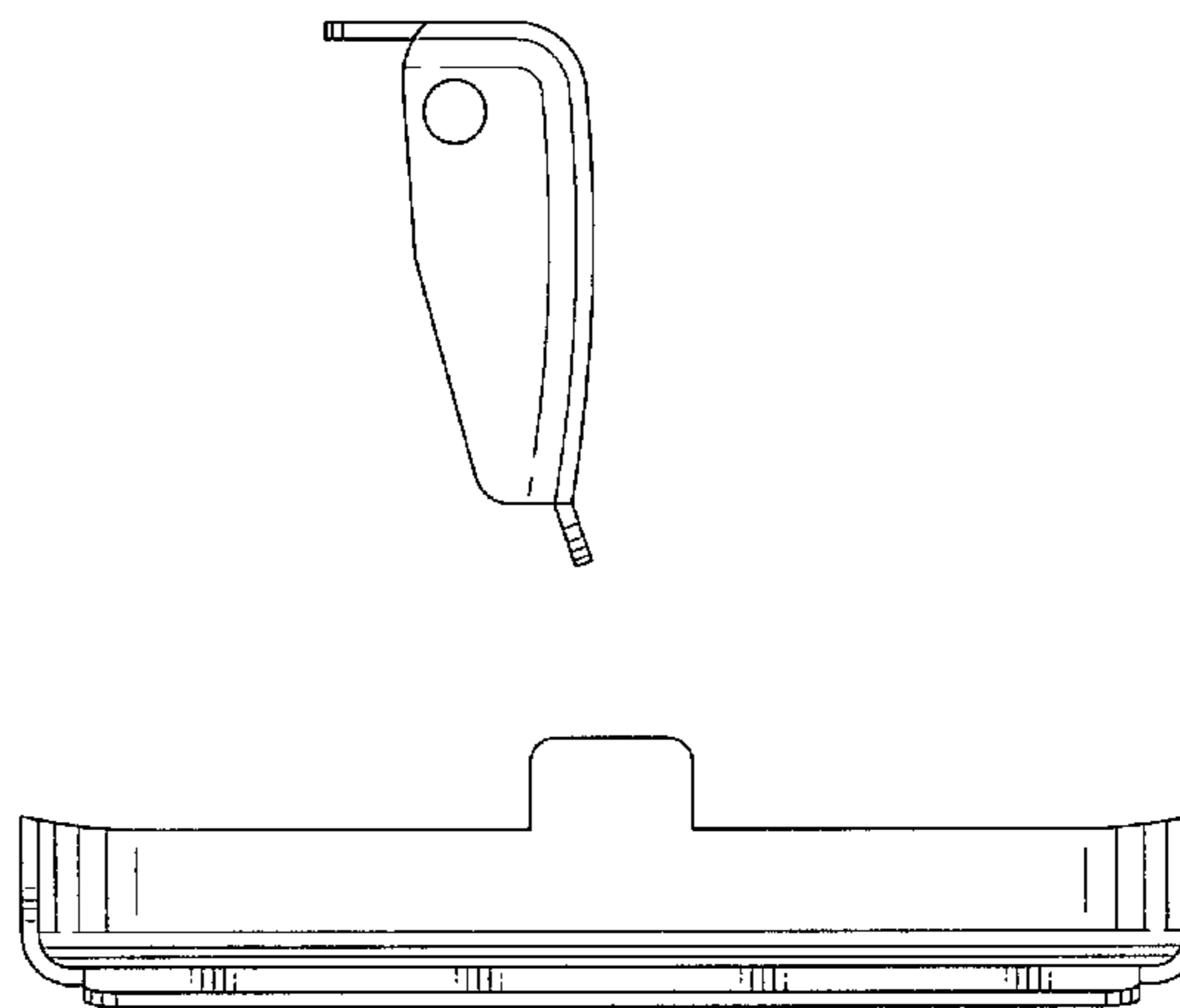
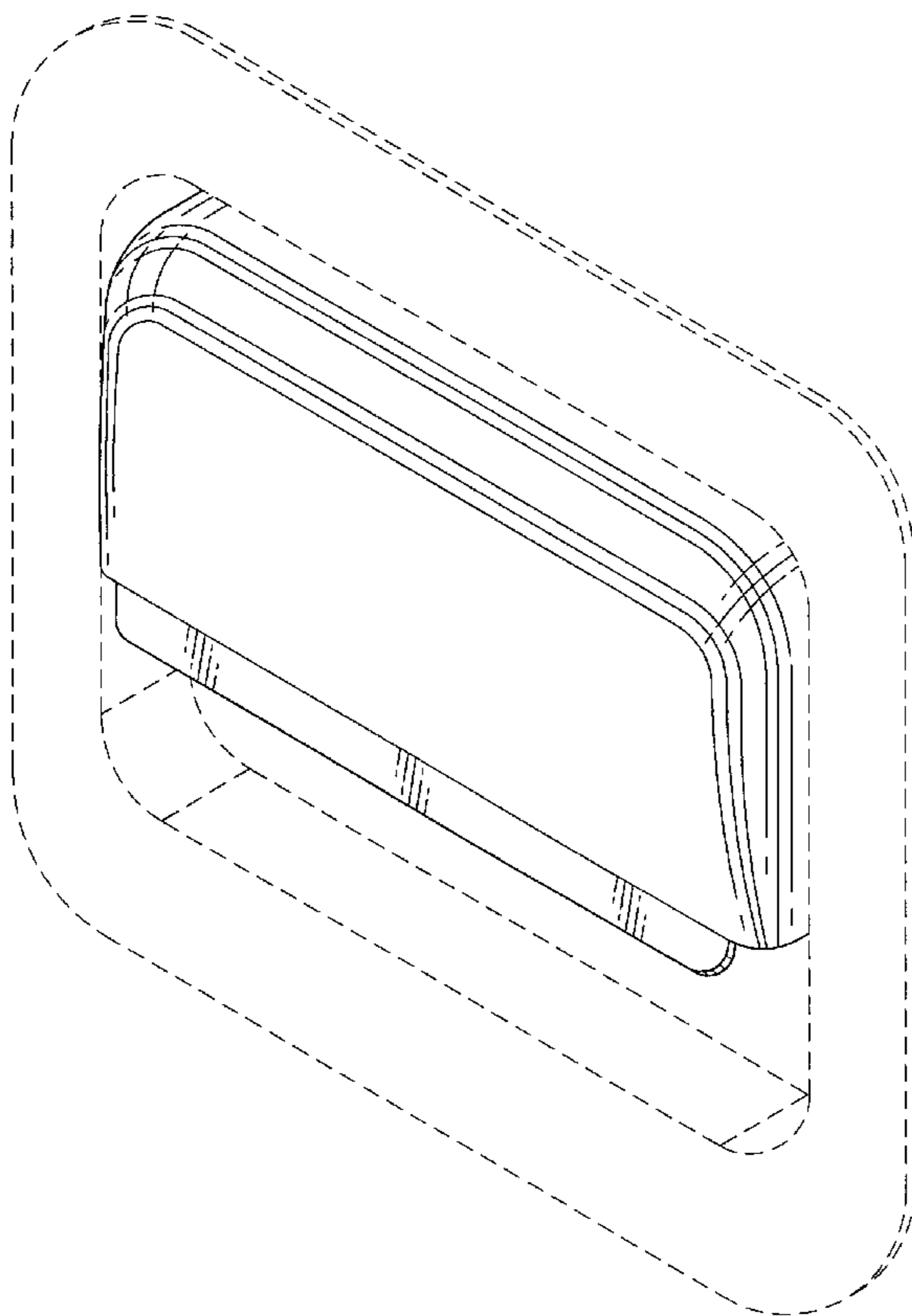
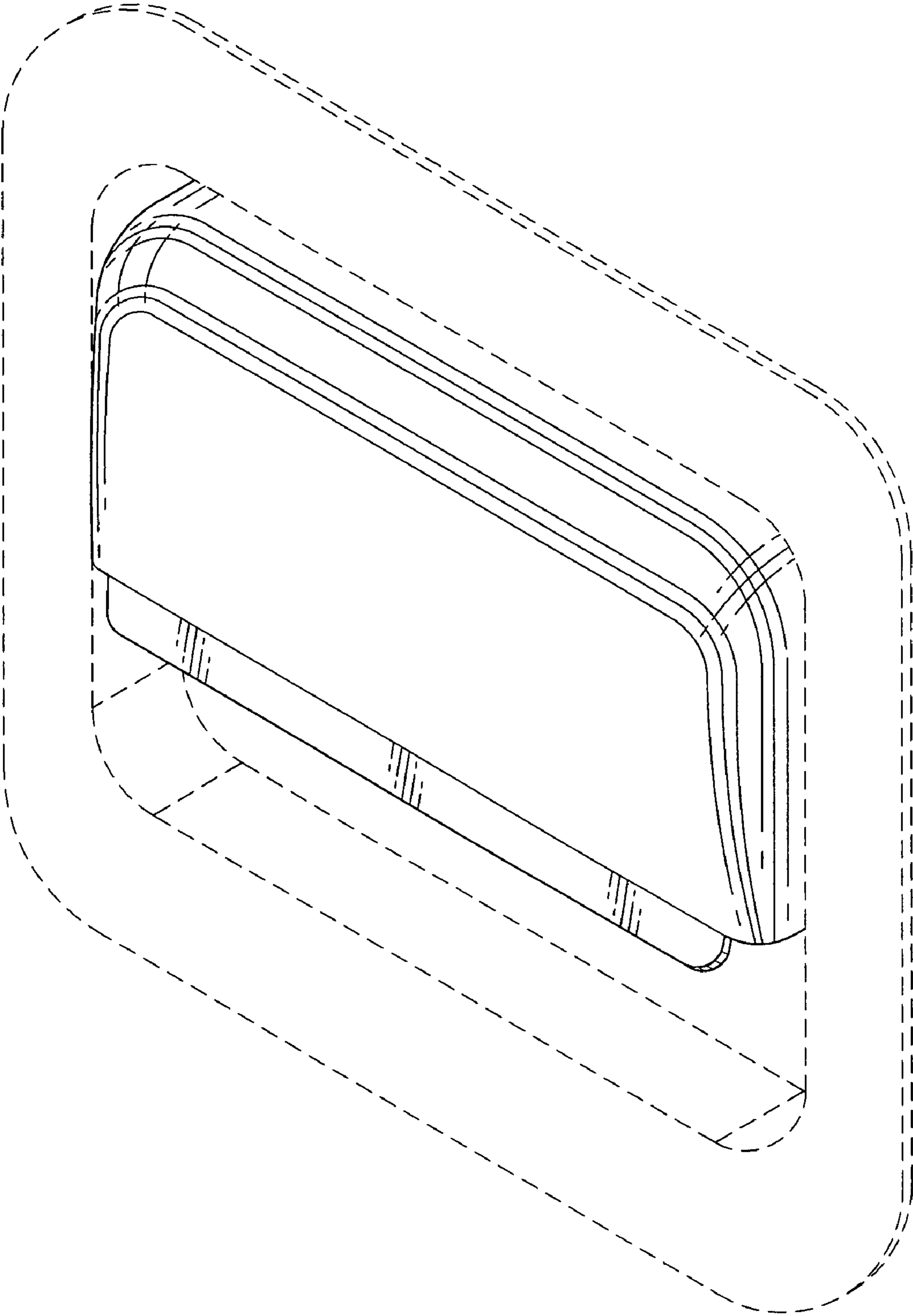
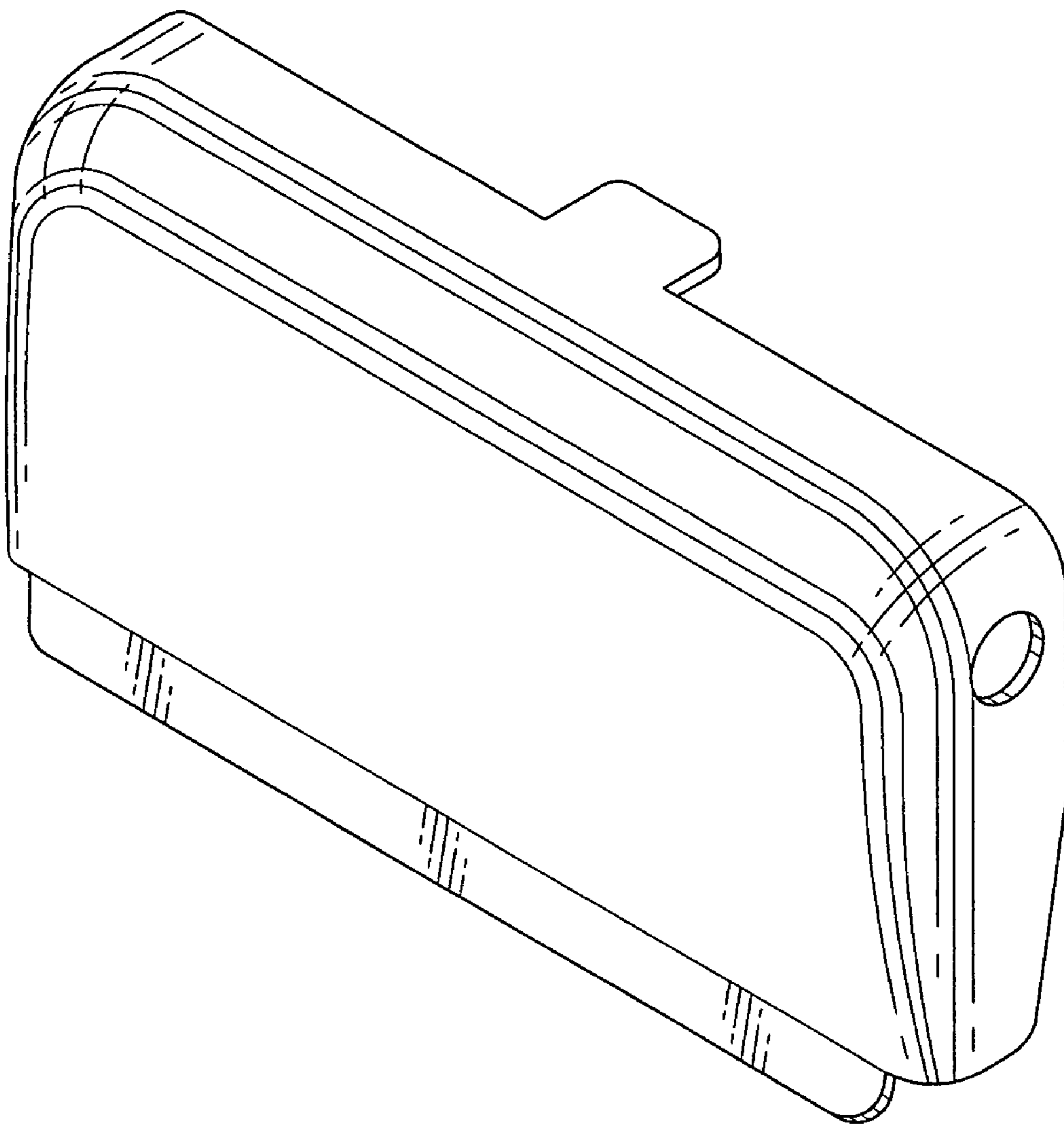


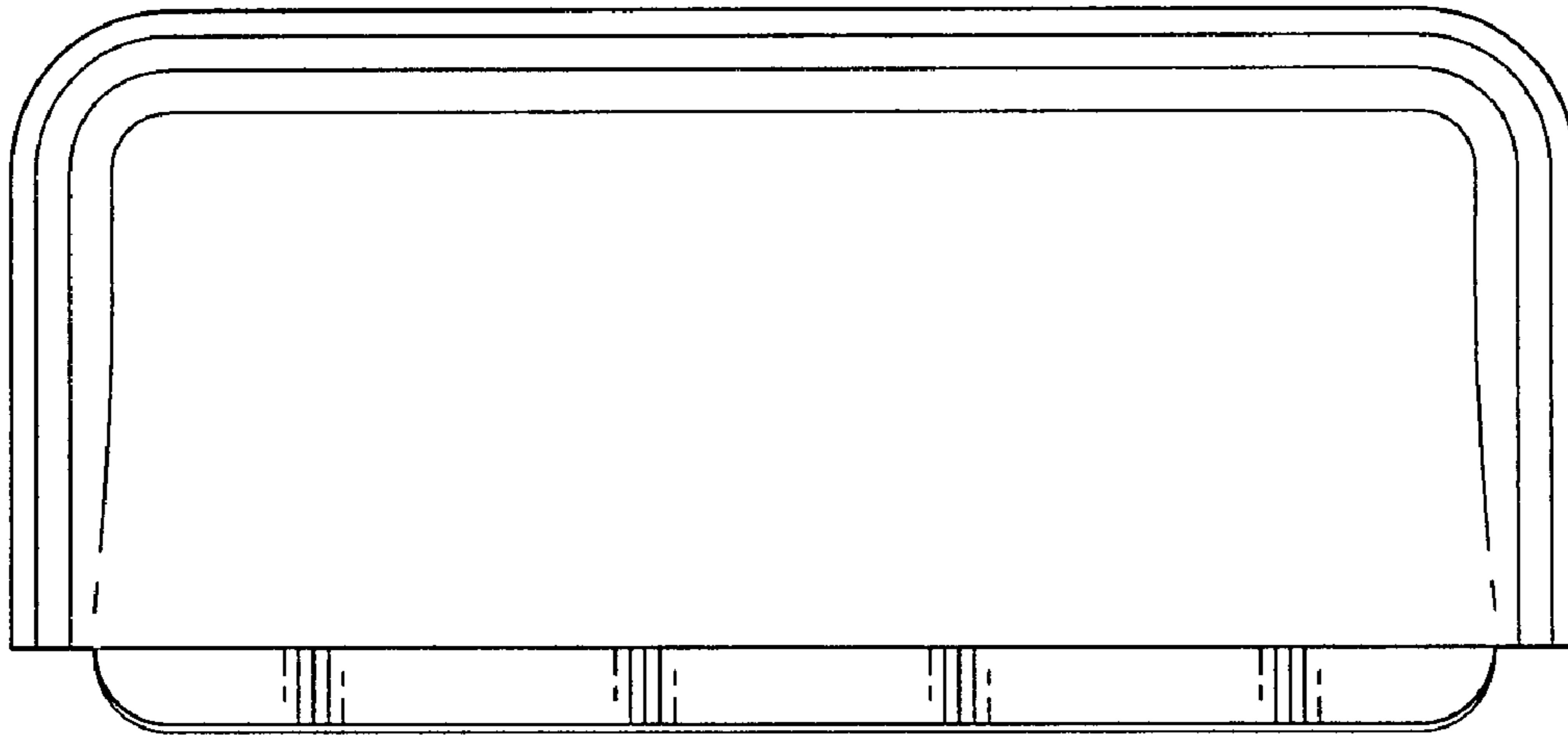
FIG. 1



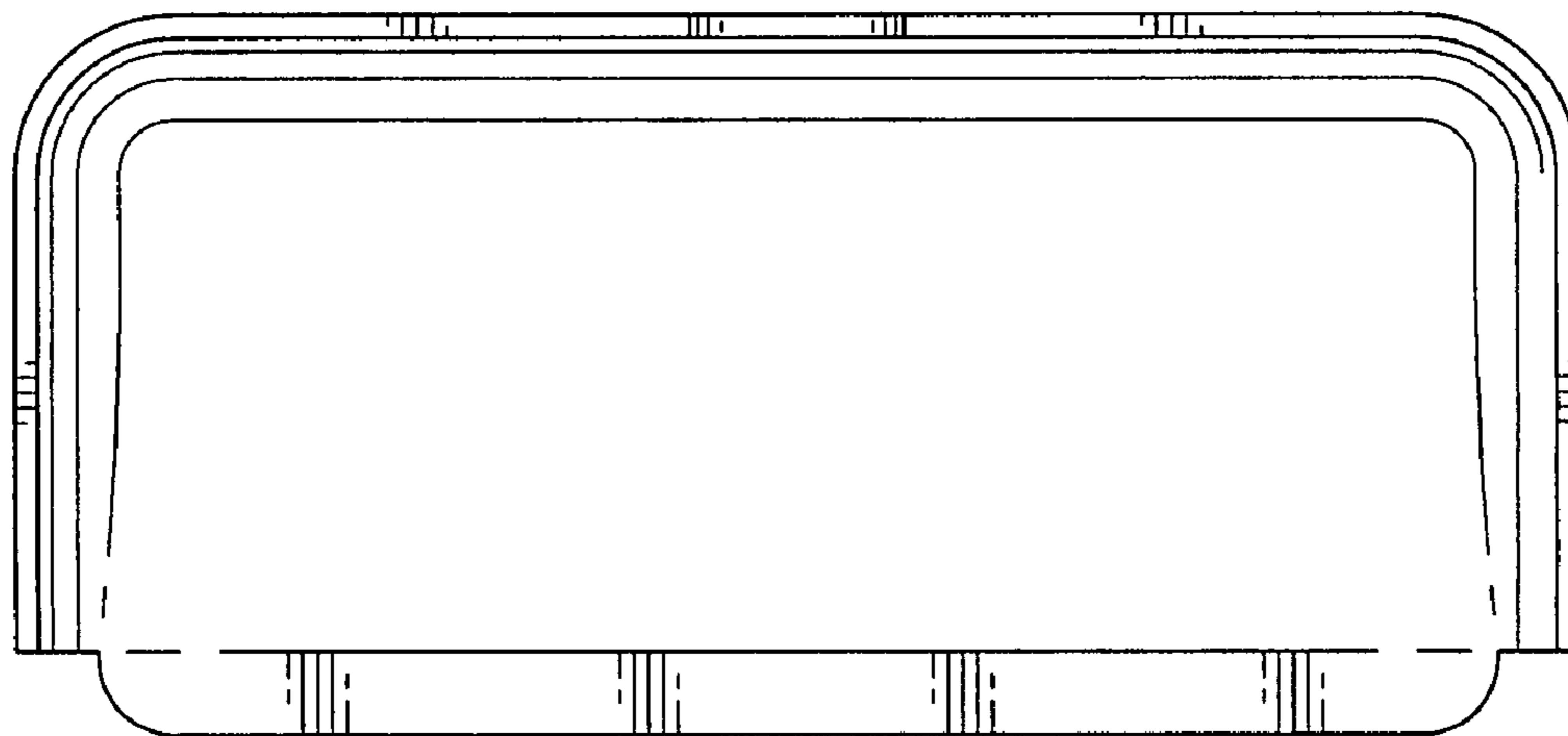
*FIG. 2*



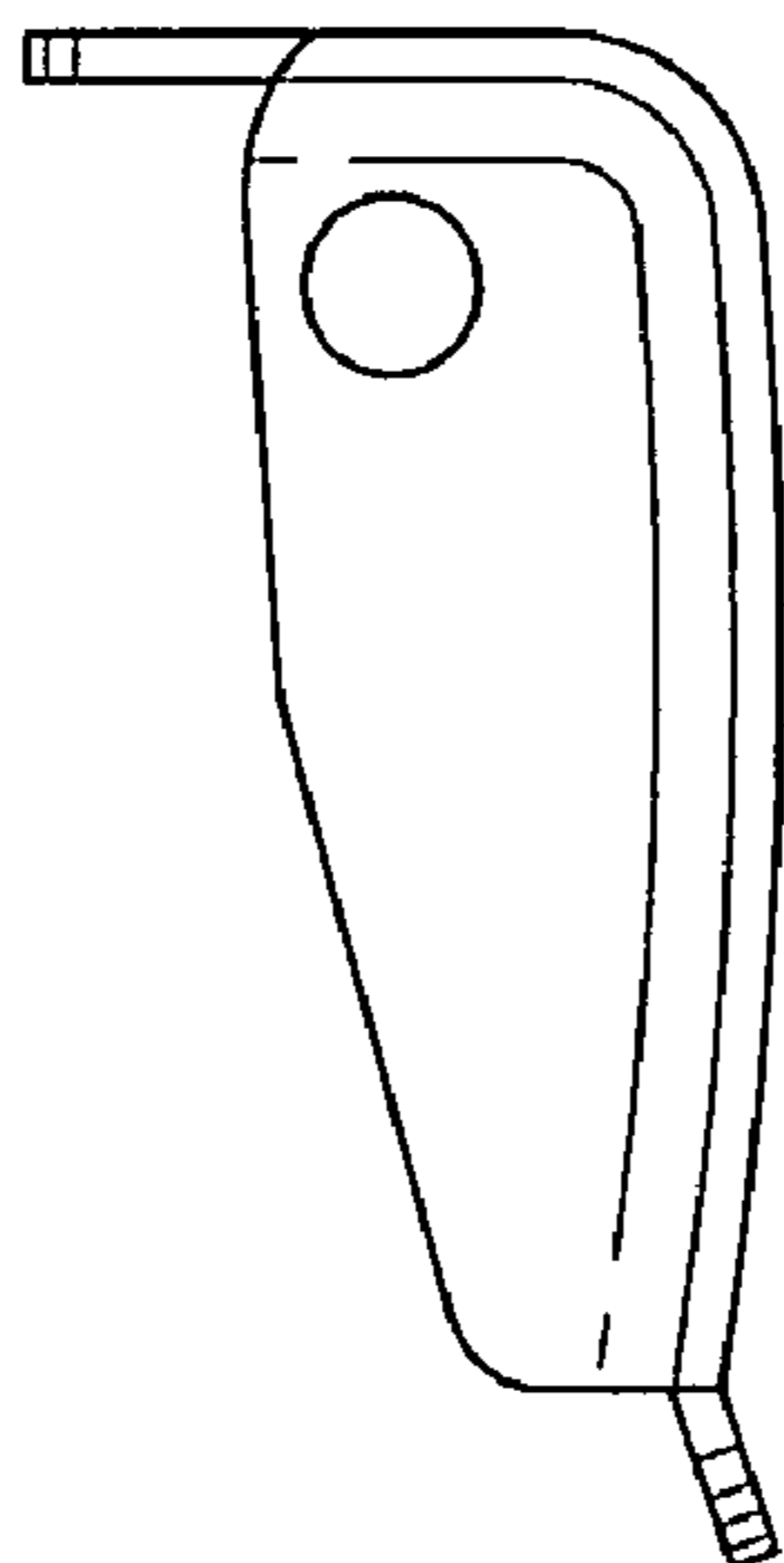
*FIG. 3*



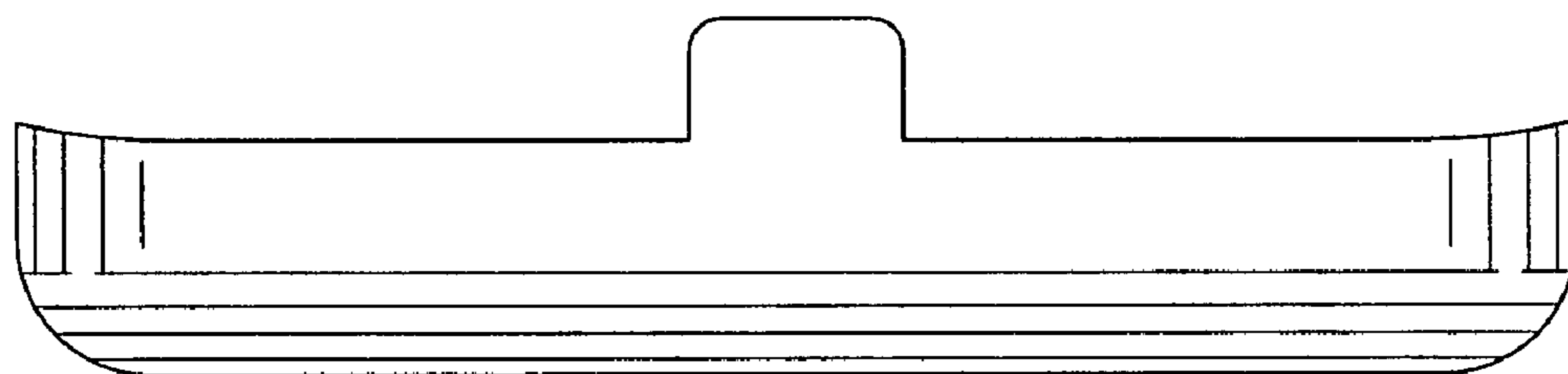
*FIG. 4*



*FIG. 5*



*FIG. 6*



*FIG. 7*

