



US00D572994S

(12) **United States Design Patent**
Ping

(10) **Patent No.:** **US D572,994 S**
(45) **Date of Patent:** **** Jul. 15, 2008**

- (54) **CLOSE QUARTER HACKSAW**
- (75) Inventor: **Qiu Jian Ping**, Hangzhou (CN)
- (73) Assignee: **Great Neck Saw Manufactures, Inc.**,
Mineola, NJ (US)
- (**) Term: **14 Years**
- (21) Appl. No.: **29/285,442**
- (22) Filed: **Mar. 29, 2007**

- D228,225 S 8/1973 West
- 3,756,298 A 9/1973 West
- 3,815,648 A 6/1974 Dreier
- 3,825,047 A 7/1974 Mc Manus et al.
- 4,411,068 A 10/1983 Theodorides
- 4,503,742 A 3/1985 Sutton
- 4,627,165 A 12/1986 Gibson
- 4,648,182 A 3/1987 Hoffman

(Continued)

Primary Examiner—Philip S Hyder
(74) *Attorney, Agent, or Firm*—Joseph J. Previto

Related U.S. Application Data

- (62) Division of application No. 29/245,811, filed on Dec. 29, 2005, now Pat. No. Des. 553,465.
- (51) **LOC (8) Cl.** **08-03**
- (52) **U.S. Cl.** **D8/97**
- (58) **Field of Classification Search** D8/95,
D8/96, 97, 98, 99, 107; 30/506, 507, 508,
30/509, 512, 514, 517, 518
See application file for complete search history.

(57) **CLAIM**

The ornamental design of a close quarter hack saw, substantially as shown and described.

DESCRIPTION

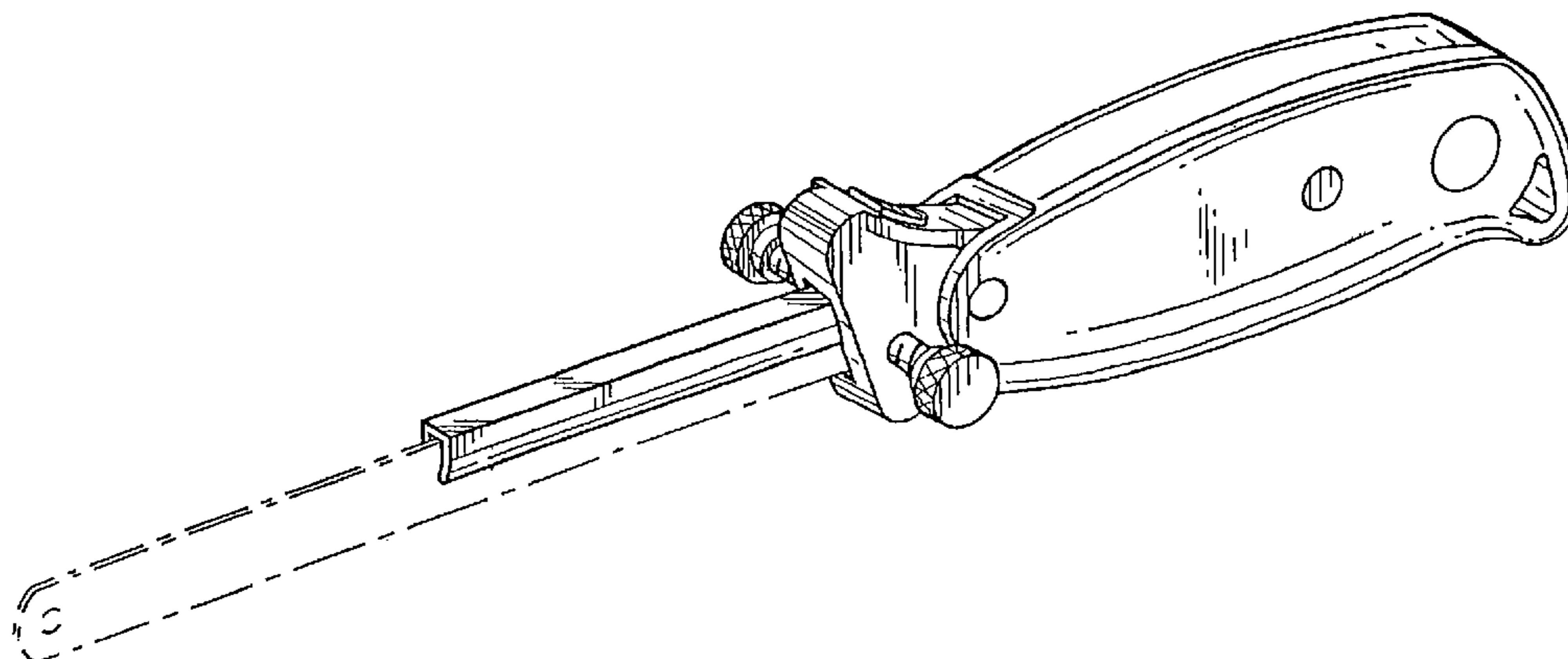
- FIG. 1 is a perspective view of my new design.
- FIG. 2 is a top view thereof.
- FIG. 3 is a side view thereof.
- FIG. 4 is a front view thereof.
- FIG. 5 is a rear view thereof.
- FIG. 6 is a bottom view thereof.
- FIG. 7 is another side view thereof.
- FIG. 8 is a perspective view of another embodiment of my new design
- FIG. 9 is a top view thereof.
- FIG. 10 is a side view thereof.
- FIG. 11 is a front view thereof.
- FIG. 12 is a rear view thereof.
- FIG. 13 is a bottom view thereof; and,
- FIG. 14 is another side view thereof.

The broken line showing of the saw blade in FIGS. 1 through 14 and the saw blade support in FIGS. 8 through 14 are included for the purpose of illustrating environmental structure and form no part of the claimed design.

1 Claim, 6 Drawing Sheets

(56) **References Cited**
U.S. PATENT DOCUMENTS

- 143,650 A 10/1873 Weller
- 156,369 A 10/1874 Millspaugh
- 170,181 A 11/1875 Millspaugh
- 170,970 A 12/1875 Tanner
- 173,319 A 2/1876 McChesney
- 199,845 A 1/1878 McChesney
- 277,141 A 5/1883 Learned
- 316,753 A 4/1885 Delafield
- 552,342 A 12/1895 White
- 601,480 A 3/1898 Powell
- 752,364 A 2/1904 Soloman
- 1,423,506 A 7/1922 Slothower
- 1,972,566 A 9/1934 Laemmel
- 2,017,895 A 10/1935 Davey
- 2,262,540 A 11/1941 Stone
- D162,794 S 4/1951 Derr
- 2,880,773 A 4/1959 Contreras et al.
- 2,996,931 A 8/1961 Garafola
- 3,702,627 A 11/1972 Dreier



US D572,994 S

Page 2

U.S. PATENT DOCUMENTS

D291,962 S	9/1987	Johnson	D383,370 S	9/1997	Chen
D299,413 S	1/1989	De Carolis	5,826,344 A	10/1998	Phelon et al.
4,827,619 A	5/1989	Alm	D400,421 S	11/1998	Okada
4,835,869 A	6/1989	Waldherr	5,930,902 A	8/1999	Hsu
D307,536 S	5/1990	Alm	5,937,527 A	8/1999	Okada
D307,702 S	5/1990	Hsu	6,070,330 A	6/2000	Phelon et al.
4,934,034 A	6/1990	Fukuda et al.	6,112,420 A	9/2000	Schickerling
5,272,948 A	12/1993	Theising	D440,855 S	4/2001	Wang
D359,436 S	6/1995	Weimann	D468,614 S	1/2003	Kanzawa
5,443,276 A	8/1995	Nasser et al.	6,711,825 B2	3/2004	Chen
5,590,473 A	1/1997	Wang	D510,008 S	9/2005	Kanzawa
			7,093,367 B1	8/2006	Huang
			D528,892 S	9/2006	Okada

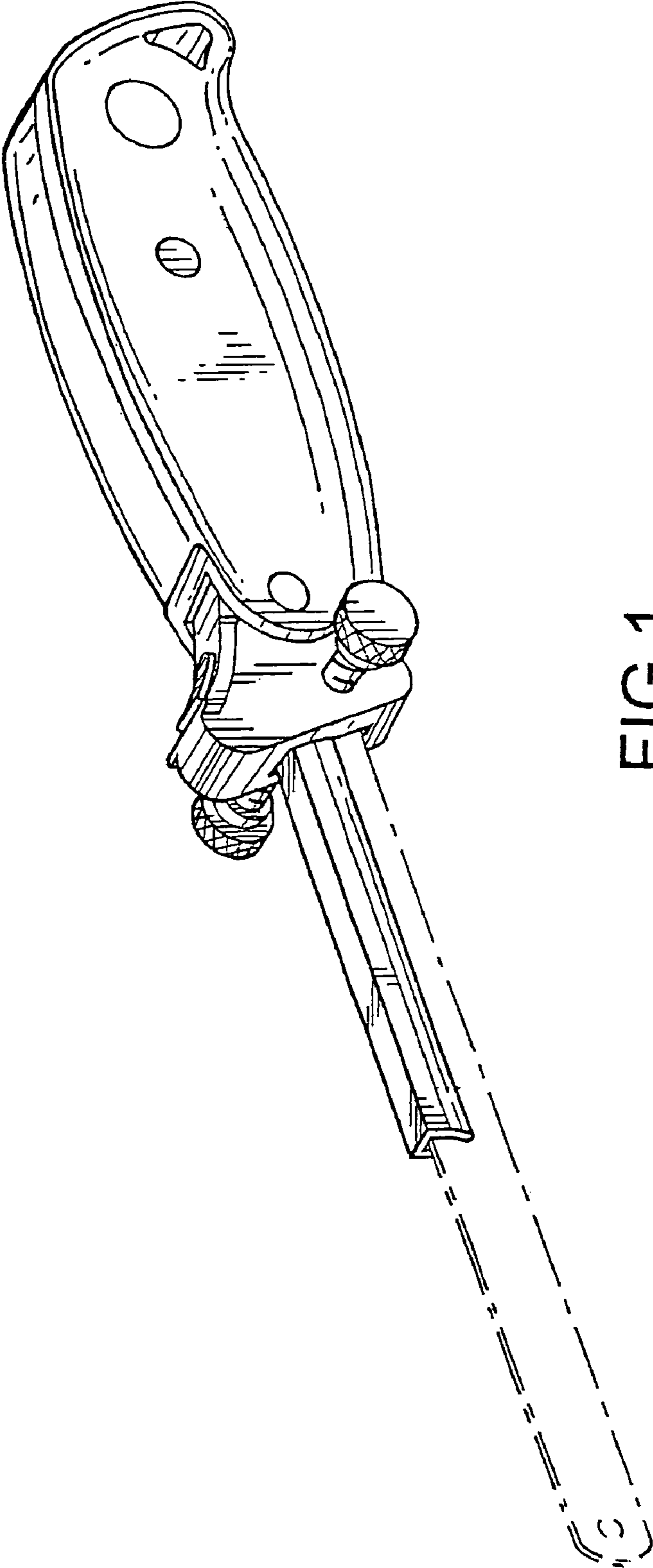


FIG. 1

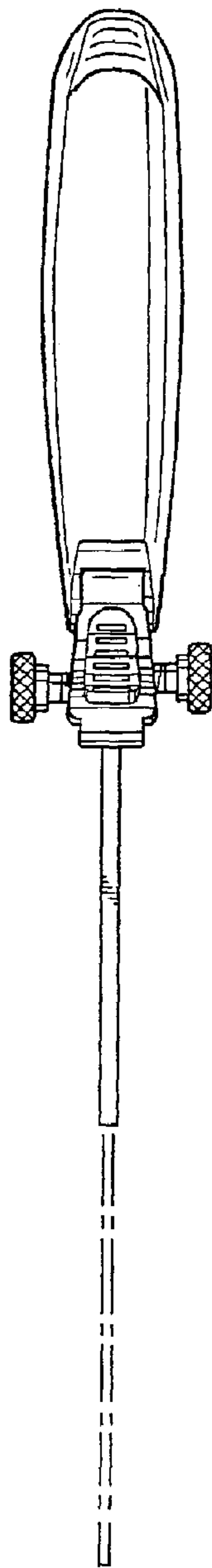


FIG. 2

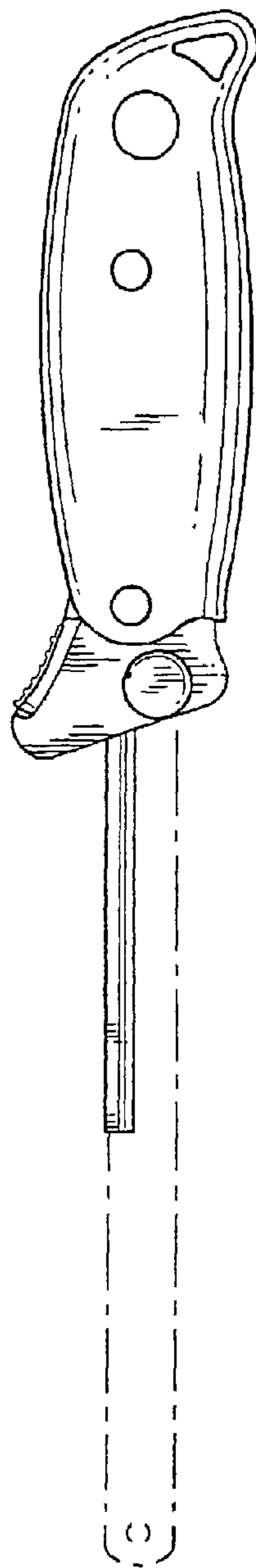


FIG. 3

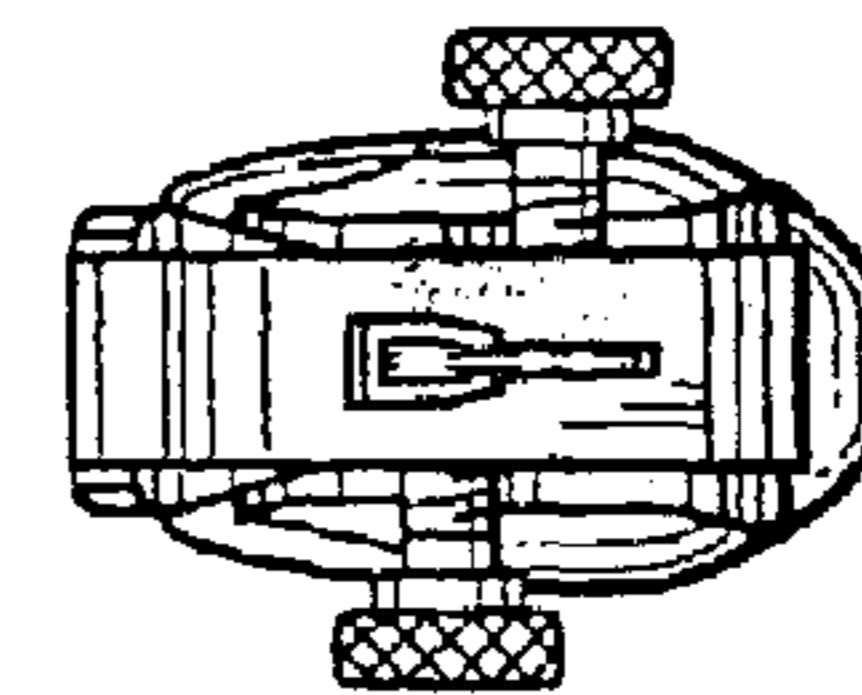


FIG. 4

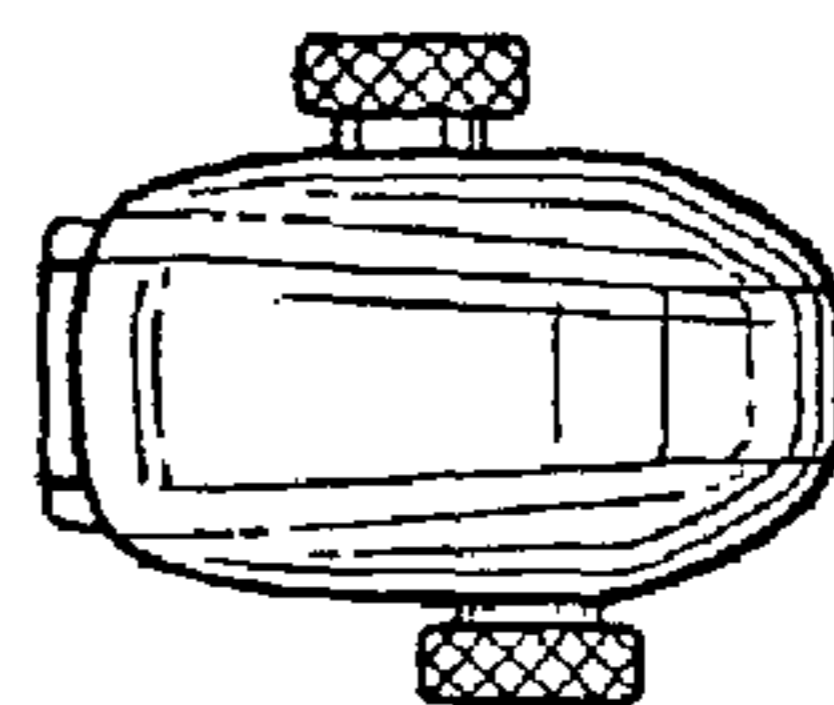


FIG. 5

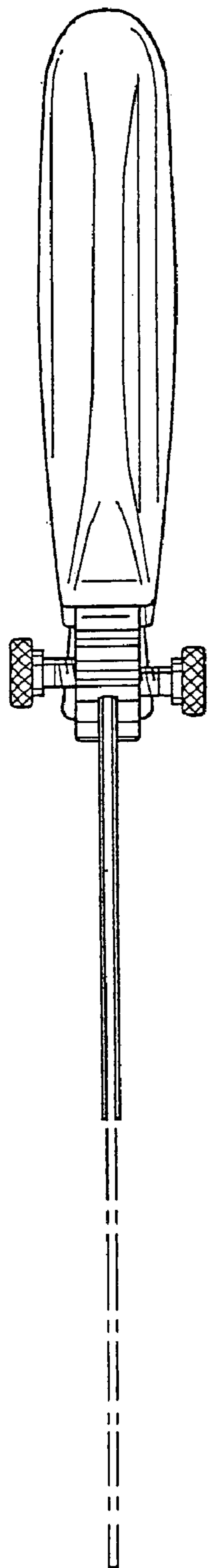


FIG. 6

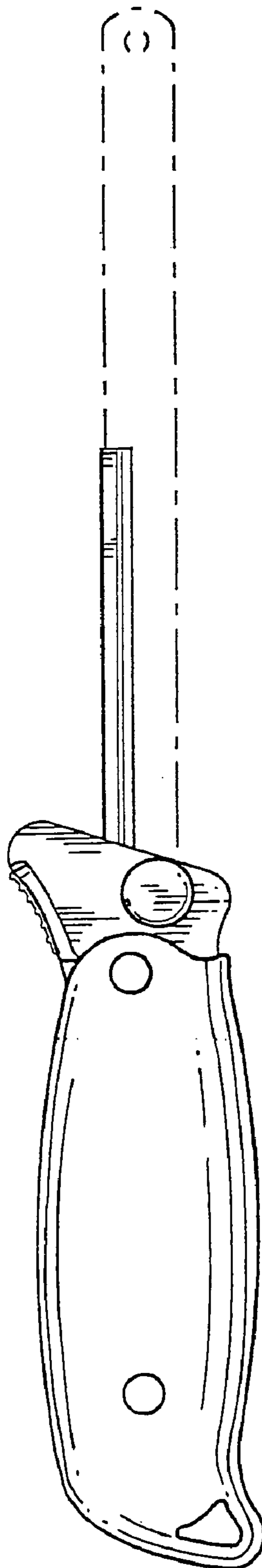


FIG. 7

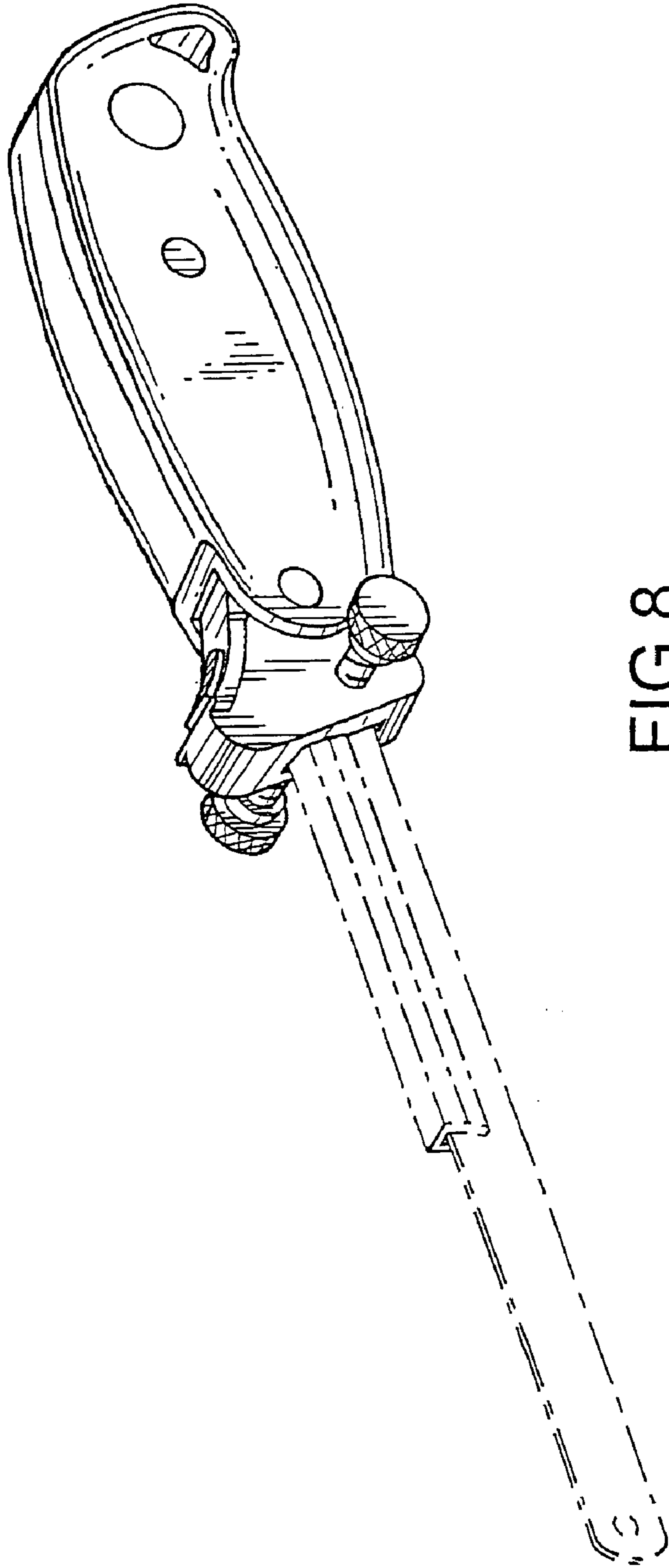


FIG. 8

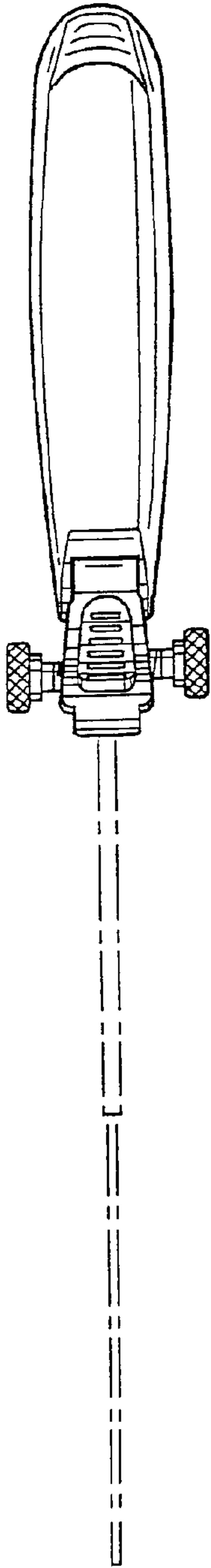


FIG. 9

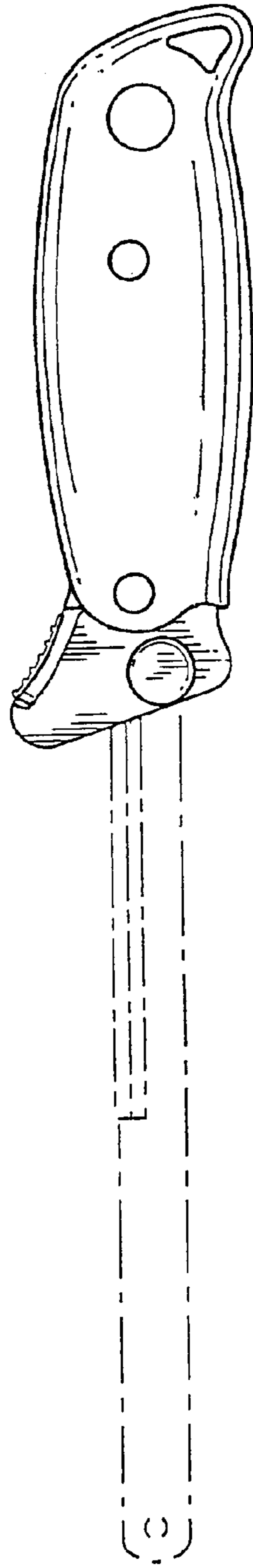


FIG. 10

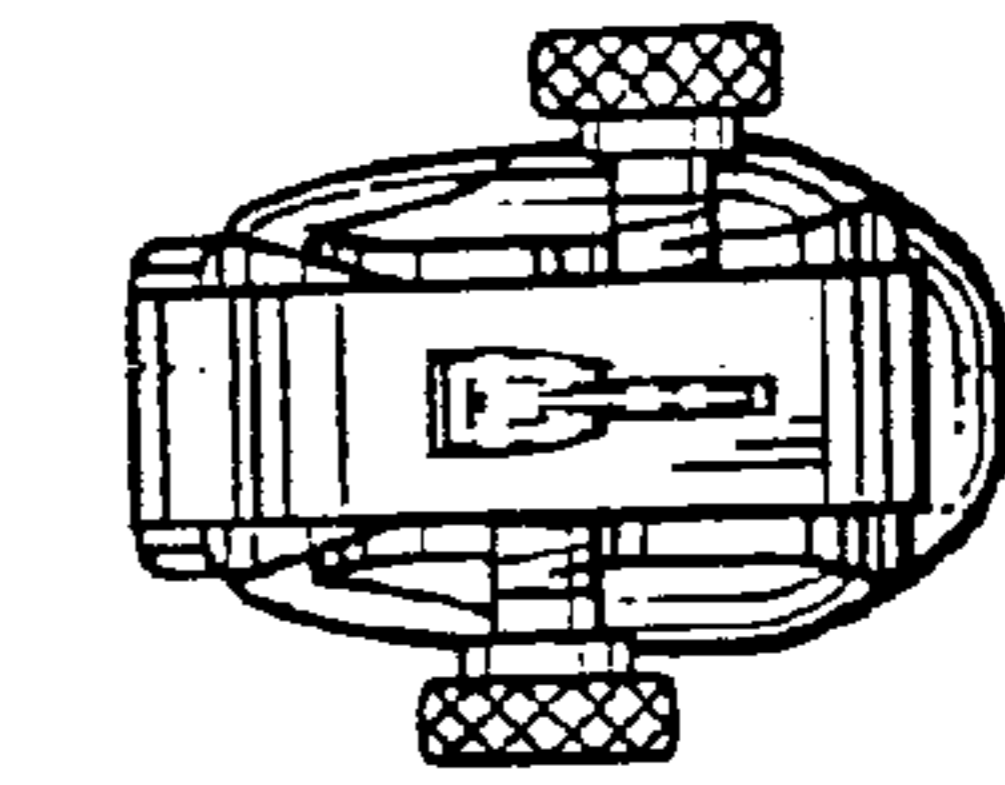


FIG. 11

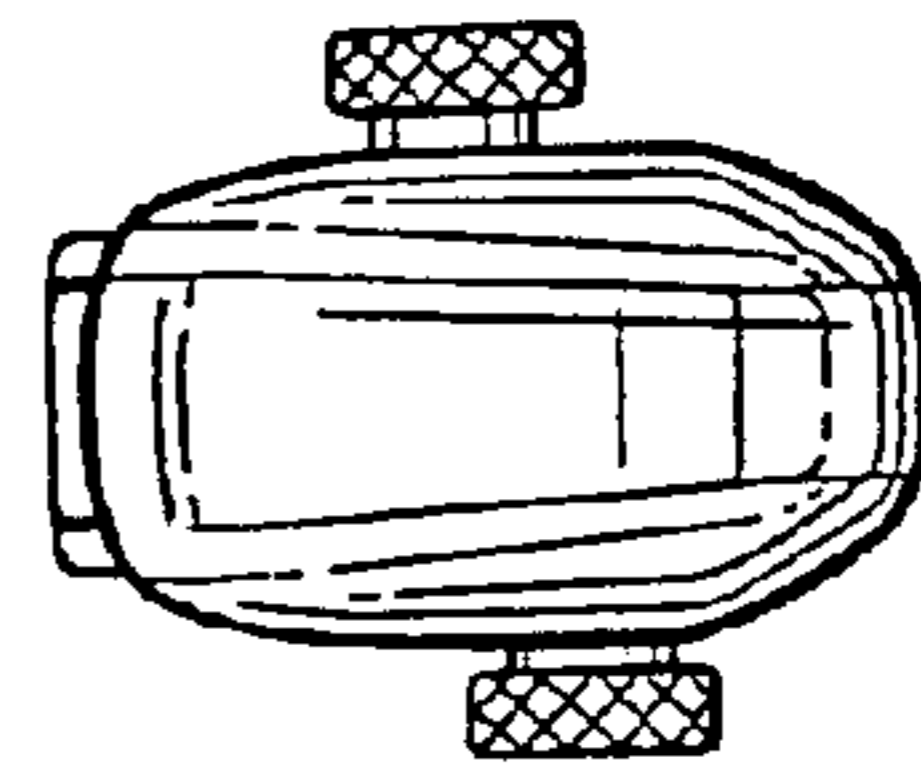


FIG. 12

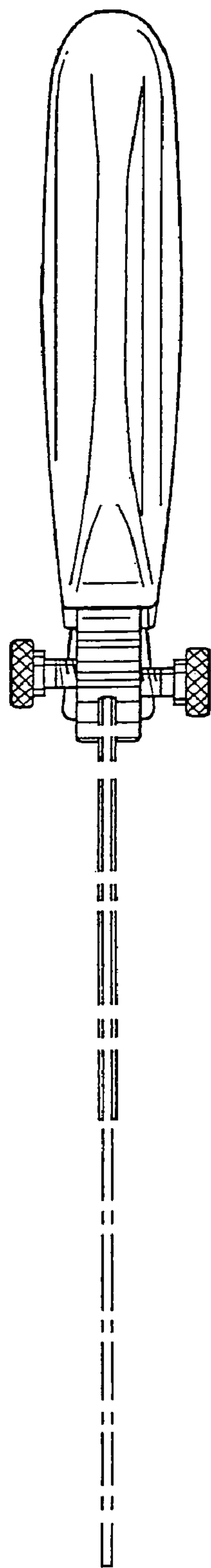


FIG. 13

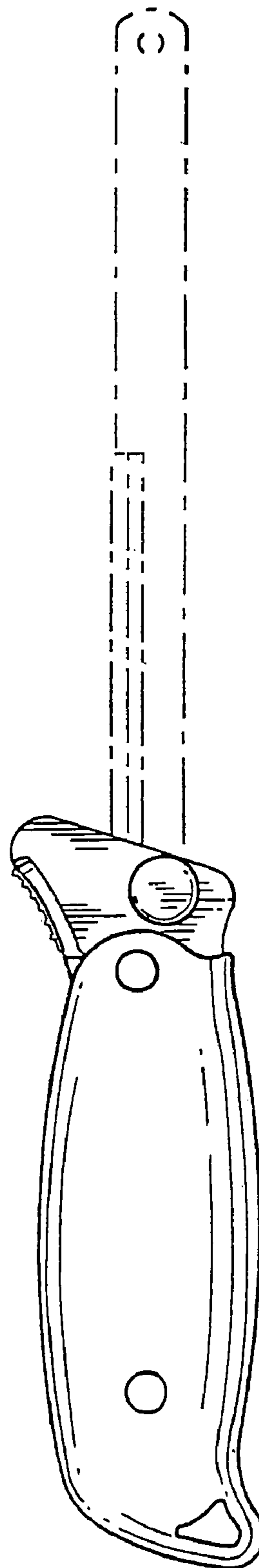


FIG. 14