



US00D572992S

(12) **United States Design Patent**
Reiling et al.

(10) **Patent No.:** **US D572,992 S**
(45) **Date of Patent:** **** Jul. 15, 2008**

(54) **PROTECTIVE COVER**

(75) Inventors: **Karl Reiling**, Königsbach-Stein (DE);
Reinhold Reiling, Königsbach-Stein (DE)

(73) Assignee: **Reiling GmbH**, Königsbach-Stein (DE)

(**) Term: **14 Years**

(21) Appl. No.: **29/274,318**

(22) Filed: **Apr. 16, 2007**

(30) **Foreign Application Priority Data**

Oct. 19, 2006 (EM) 000607197-0001

(51) **LOC (8) Cl.** **08-05**

(52) **U.S. Cl.** **D8/70**

(58) **Field of Classification Search** D8/5-9,
D8/16, 19, 20, 61-71, 90, 98, 99; D15/7,
D15/15, 17, 29, 77, 78, 124-140; 30/346,
30/347, 391; 83/478, 676, 834, 835, 839,
83/848, 852, 854, 855; 125/15, 18; 144/230,
144/231; 451/41, 47, 56, 324, 443, 451,
451/523, 533, 544, 546, 547, 548-551; 407/51,
407/118

See application file for complete search history.

(56) **References Cited**

U.S. PATENT DOCUMENTS

1,175,963 A * 3/1916 Loeser 30/390
1,711,490 A * 5/1929 Drummond 83/478
1,850,444 A * 3/1932 Brumell 30/391
2,228,664 A * 1/1941 Knouse et al. 74/400
D142,235 S * 8/1945 Vavrik D8/66
D152,678 S * 2/1949 Dolan et al. D8/66
D159,043 S * 6/1950 Bushnell D8/66
D161,523 S * 1/1951 Parker D8/66
2,659,399 A * 11/1953 Doug 30/391

2,765,824 A * 10/1956 Hartmann et al. 30/391
2,795,248 A * 6/1957 Doerner 30/391
2,955,929 A * 10/1960 Bork 30/376
D190,316 S * 5/1961 Keunzl D8/66
3,063,481 A * 11/1962 Sutherland 30/391
3,410,325 A * 11/1968 Winther 30/391
3,706,332 A * 12/1972 George 30/391
3,721,141 A * 3/1973 Frostad 83/478
3,730,239 A * 5/1973 Kaman et al. 30/391
3,805,639 A * 4/1974 Peter 74/616
4,672,746 A * 6/1987 Zeilenga 30/391
5,579,584 A * 12/1996 Hoffman 30/391

(Continued)

Primary Examiner—T. Chase Nelson

Assistant Examiner—Karen Acker

(74) *Attorney, Agent, or Firm*—Rabin & Berdo, PC

(57) **CLAIM**

The ornamental design for a protective cover, as shown and described.

DESCRIPTION

FIG. 1 is a front view of a protective cover showing our new design;

FIG. 2 is a rear perspective view of the design of FIG. 1;

FIG. 3 is a left-side view of the design of FIG. 1;

FIG. 4 is a right-side view of the design of FIG. 1;

FIG. 5 is a top-down view of the design of FIG. 1;

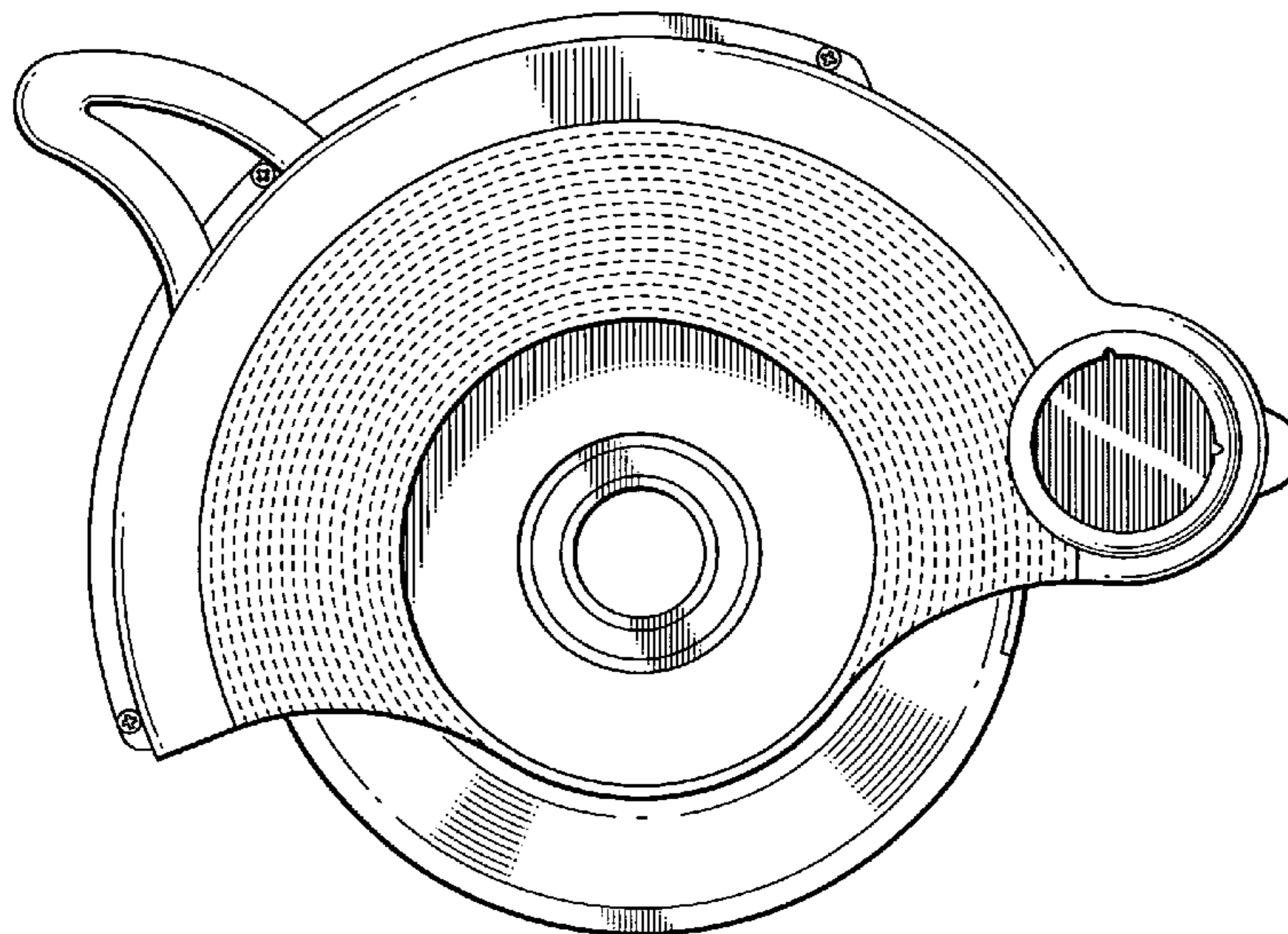
FIG. 6 is a bottom-up view of the design of FIG. 1;

FIG. 7 is a front view of the design of FIG. 1, with the protective movable device in a retracted state; and,

FIG. 8 is a rear view of the design of FIG. 1, with the protective movable cover in the retracted state.

The broken lines shown in the Figures form no part of the claimed invention.

1 Claim, 3 Drawing Sheets



US D572,992 S

Page 2

U.S. PATENT DOCUMENTS

5,782,001 A *	7/1998	Gray	30/391	6,918,330 B2 *	7/2005	Ng et al.	83/471.3
D421,703 S *	3/2000	Isaksen	D8/70	7,020,970 B1 *	4/2006	Welch	30/391
D460,672 S *	7/2002	Pretzell	D8/66	D522,833 S *	6/2006	Kokawa	D8/66
D466,782 S *	12/2002	Zurwelle et al.	D8/70	D528,391 S *	9/2006	Netzler	D8/66
D471,783 S *	3/2003	McAuliffe et al.	D8/66	D531,473 S *	11/2006	Lopano	D8/66
6,758,122 B2 *	7/2004	Kao	83/379	2002/0157265 A1 *	10/2002	Haneda et al.	30/391

* cited by examiner

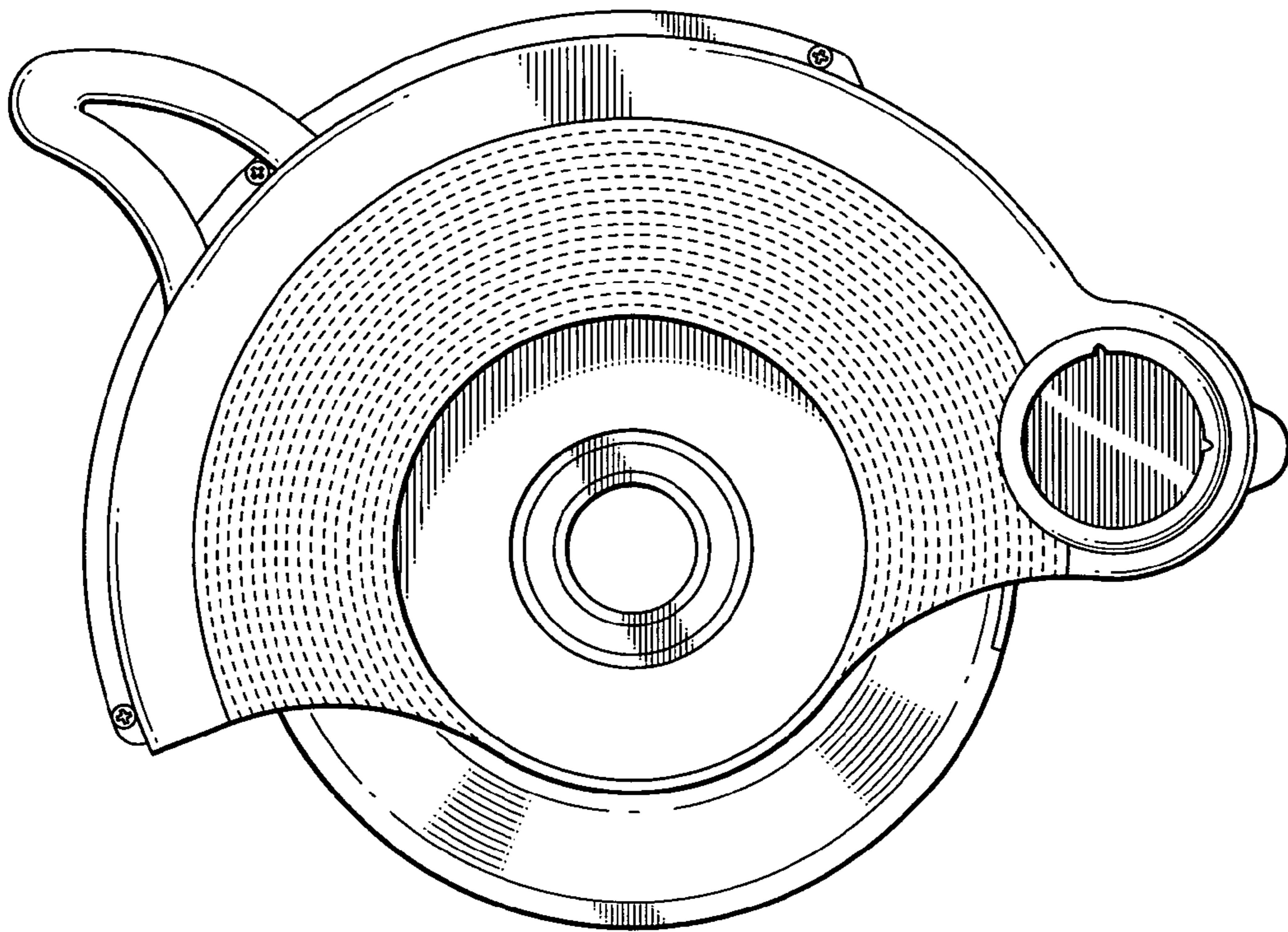


Figure 1

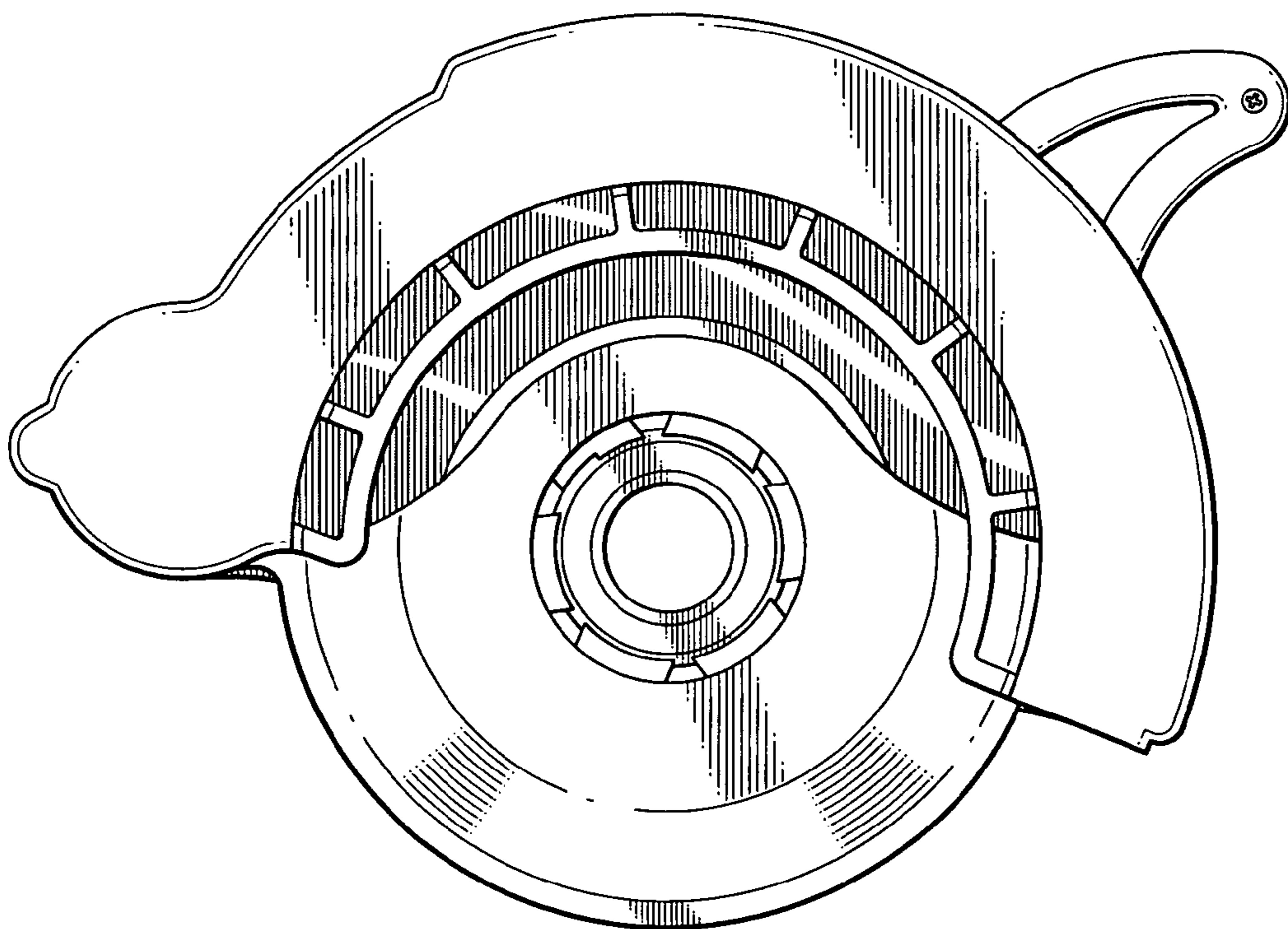


Figure 2



Figure 3

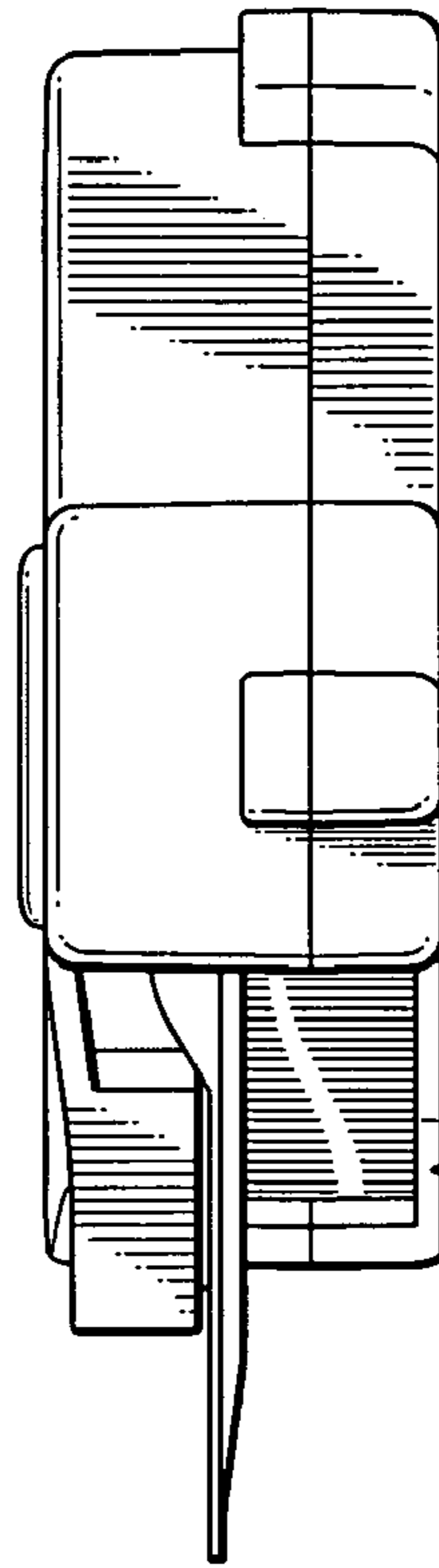


Figure 4

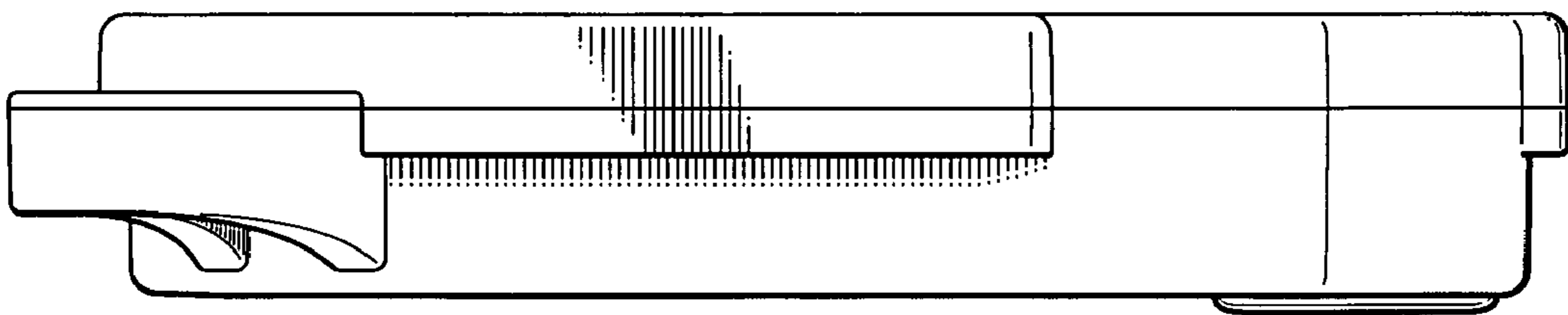


Figure 5

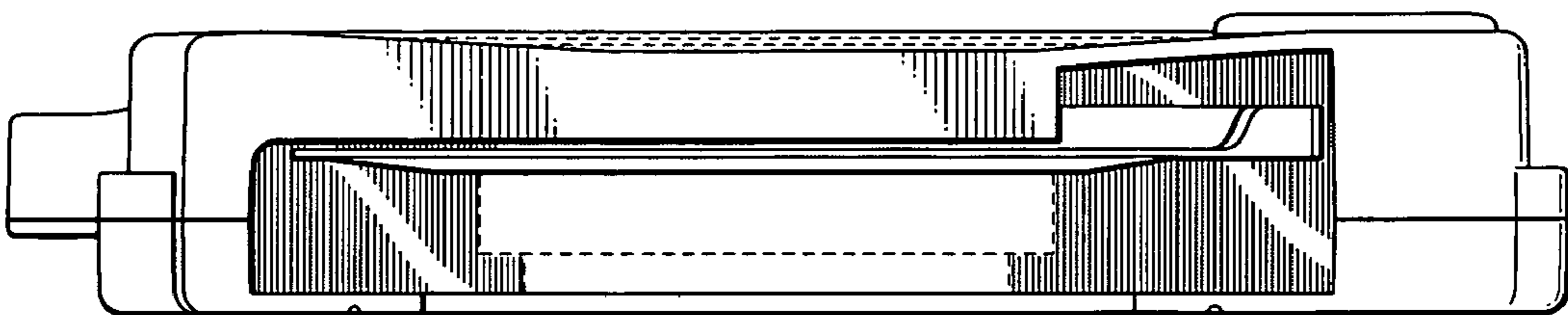


Figure 6

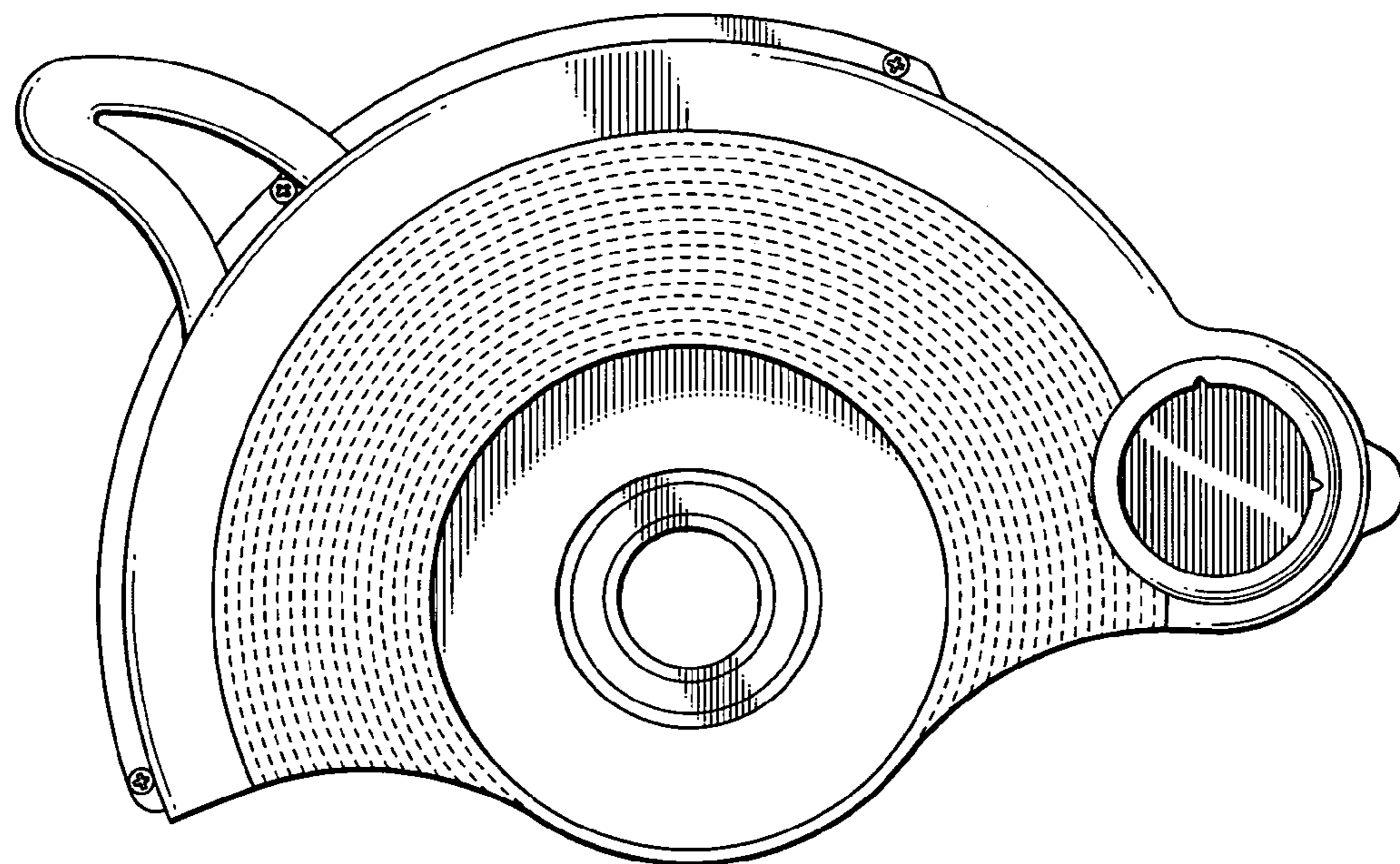


Figure 7

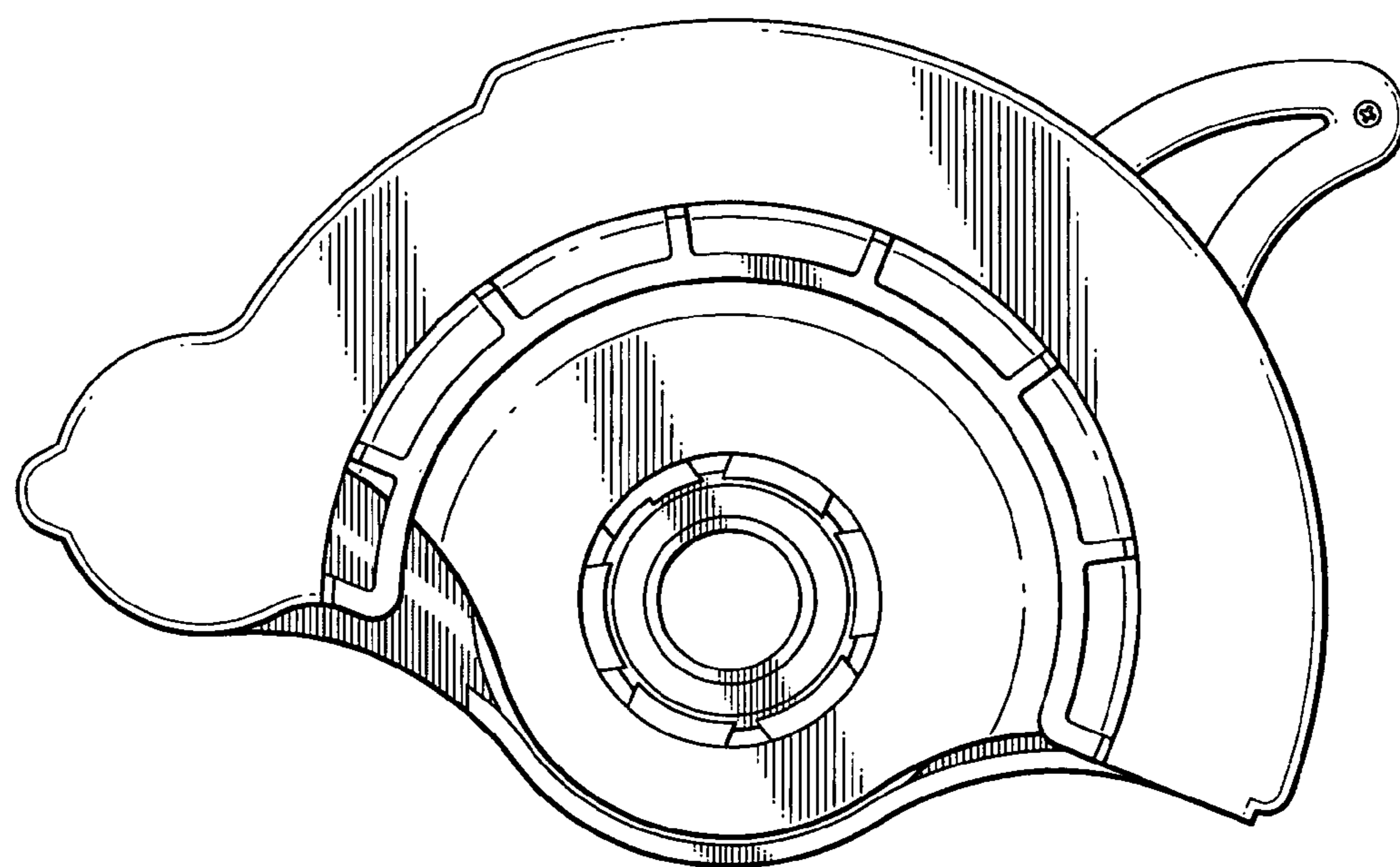


Figure 8