



US00D572991S

(12) **United States Design Patent**
Chen

(10) **Patent No.:** **US D572,991 S**
(45) **Date of Patent:** **** Jul. 15, 2008**

(54) **PNEUMATIC TOOL**

(75) Inventor: **Lung-Pao Chen**, Hsinchu County (TW)

(73) Assignee: **Sunmatch Industrial Co., Ltd.**, Zhubei,
Hsinchu County (TW)

(**) Term: **14 Years**

(21) Appl. No.: **29/272,166**

(22) Filed: **Feb. 2, 2007**

(51) **LOC (8) Cl.** **08-05**

(52) **U.S. Cl.** **D8/68**

(58) **Field of Classification Search** D8/14.1,
D8/61, 62, 63, 64, 65, 66, 67, 68, 69, 70;
81/57.11, 429, 454, 455, 456, 469, 489; 173/13,
173/104, 114, 168, 169, 170, 171, 178, 201,
173/211, 213, 217; 408/20, 124, 125, 234,
408/241 R; 451/358; 310/50; 227/8, 113,
227/114, 120, 130, 136, 142

See application file for complete search history.

(56) **References Cited**

U.S. PATENT DOCUMENTS

D403,564 S *	1/1999	Izumisawa	D8/68
D434,297 S *	11/2000	Iritani et al.	D8/68
D461,110 S *	8/2002	Izumisawa	D8/68
D476,210 S *	6/2003	Chen	D8/68
D519,807 S *	5/2006	Chen	D8/68
D521,339 S *	5/2006	Chen	D8/68

7,174,971 B1 *	2/2007	Chen	173/169
7,191,849 B2 *	3/2007	Chen	173/168
2002/0084086 A1 *	7/2002	Taga	173/104
2002/0112867 A1 *	8/2002	Tseng	173/168
2002/0125021 A1 *	9/2002	Tseng	173/169
2003/0037939 A1 *	2/2003	Taga	173/168
2007/0289760 A1 *	12/2007	Sterling et al.	173/104
2008/0066937 A1 *	3/2008	Kobayashi	173/104

* cited by examiner

Primary Examiner—T. Chase Nelson

(74) *Attorney, Agent, or Firm*—Muncy, Geissler, Olds & Lowe, PLLC

(57) **CLAIM**

The ornamental design for a pneumatic tool, as shown and described.

DESCRIPTION

FIG. 1 is a perspective view of a pneumatic tool showing my new design thereof;

FIG. 2 is a right side elevational view thereof;

FIG. 3 is a top plan view thereof;

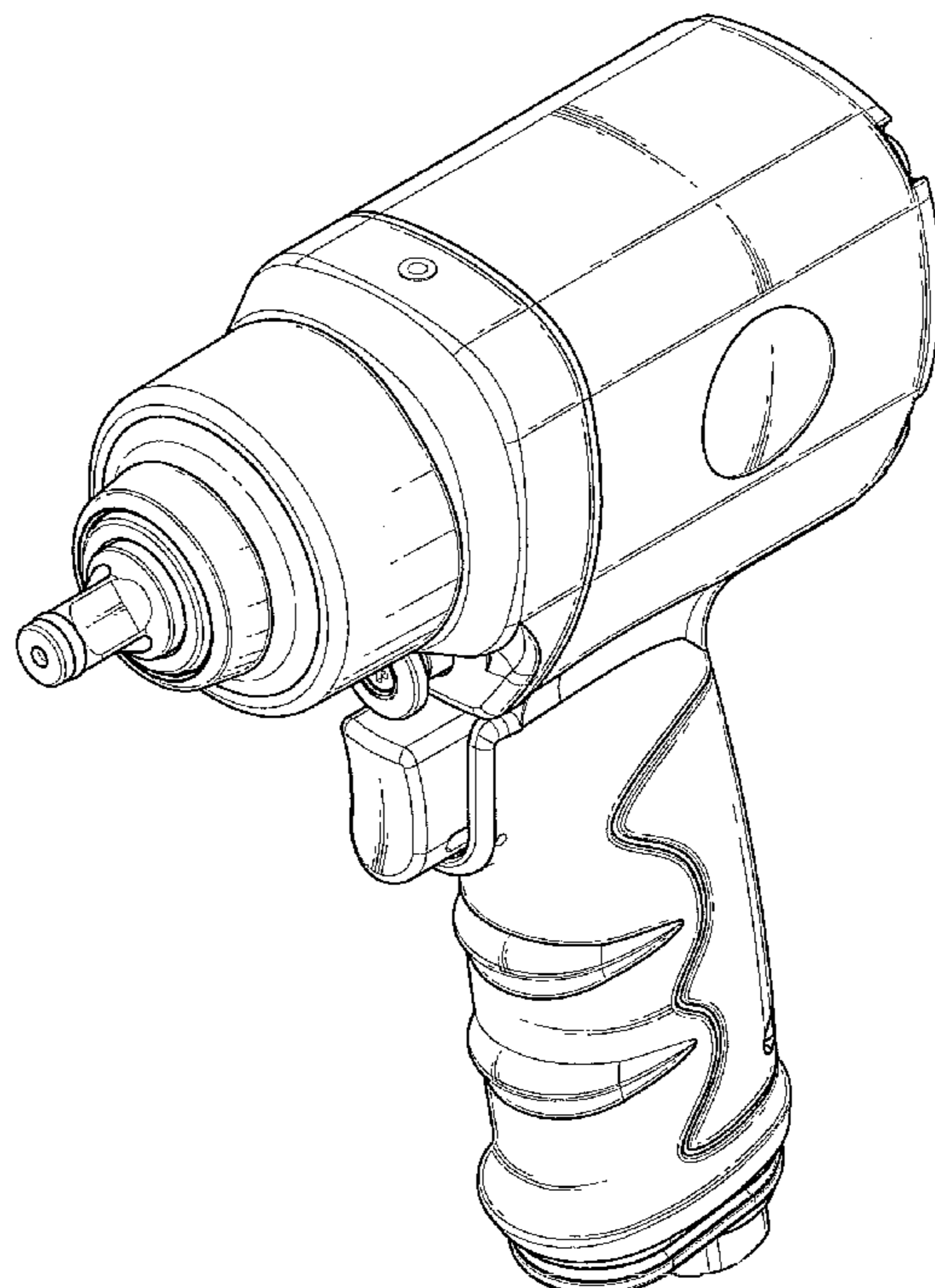
FIG. 4 is a front side elevational view thereof;

FIG. 5 is a bottom plan view thereof;

FIG. 6 is a left side elevational view thereof; and,

FIG. 7 is a rear side elevational view thereof.

1 Claim, 6 Drawing Sheets



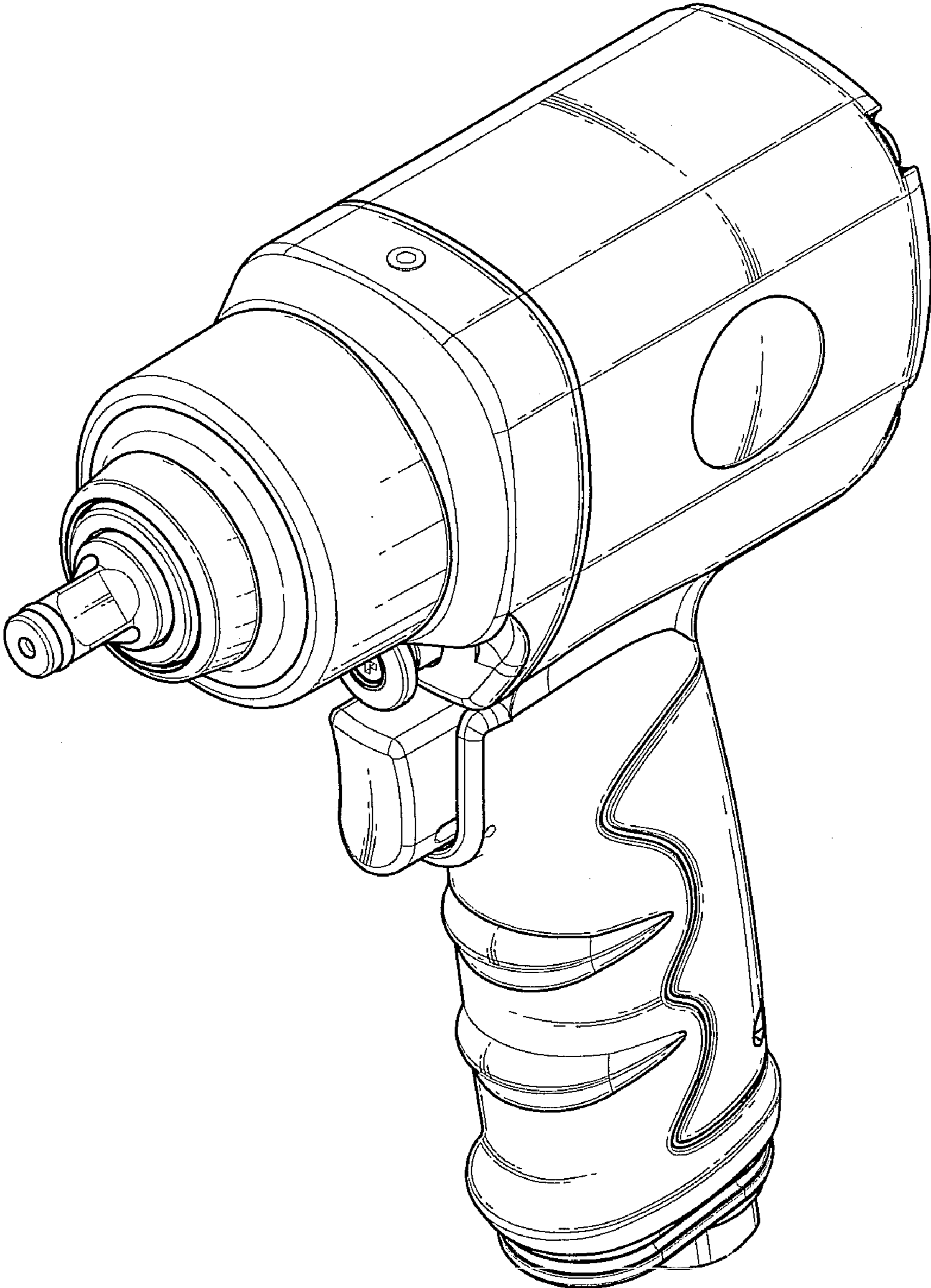


Fig. 1

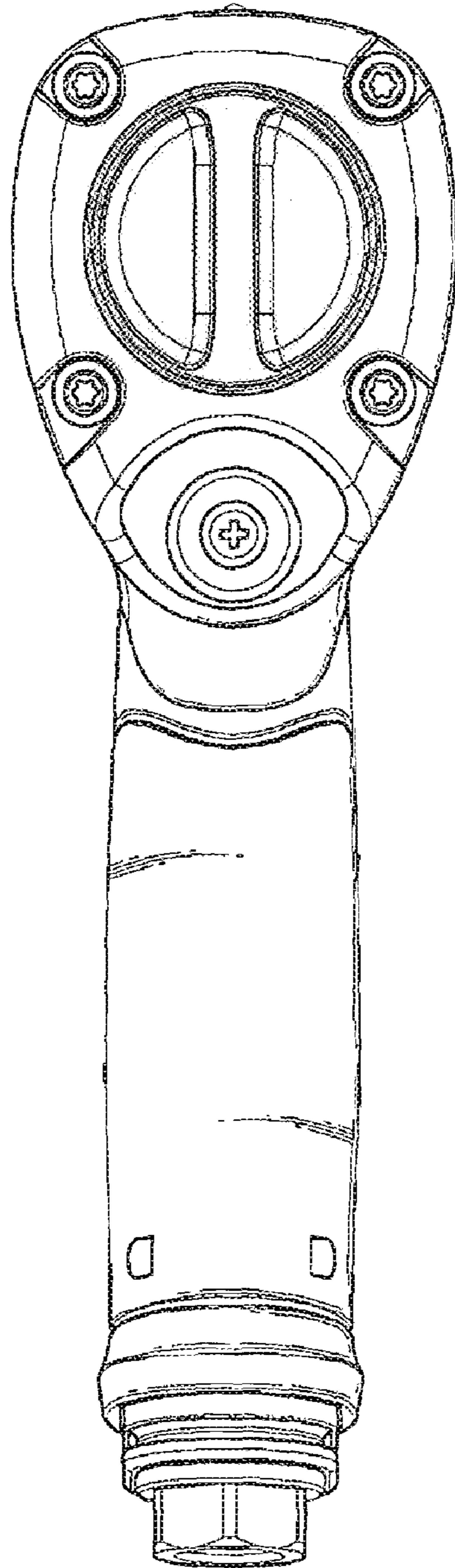


Fig. 2

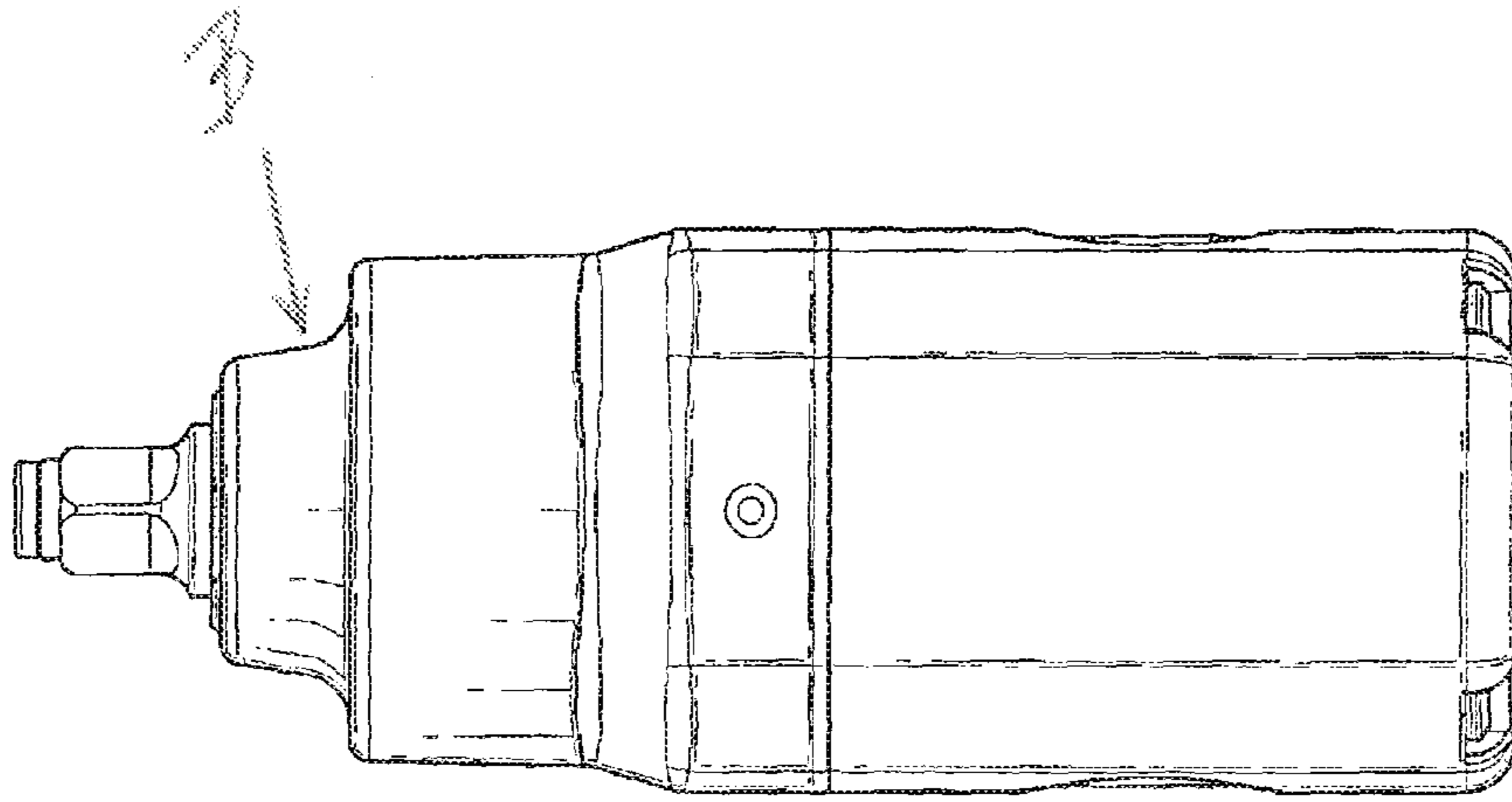


Fig. 3

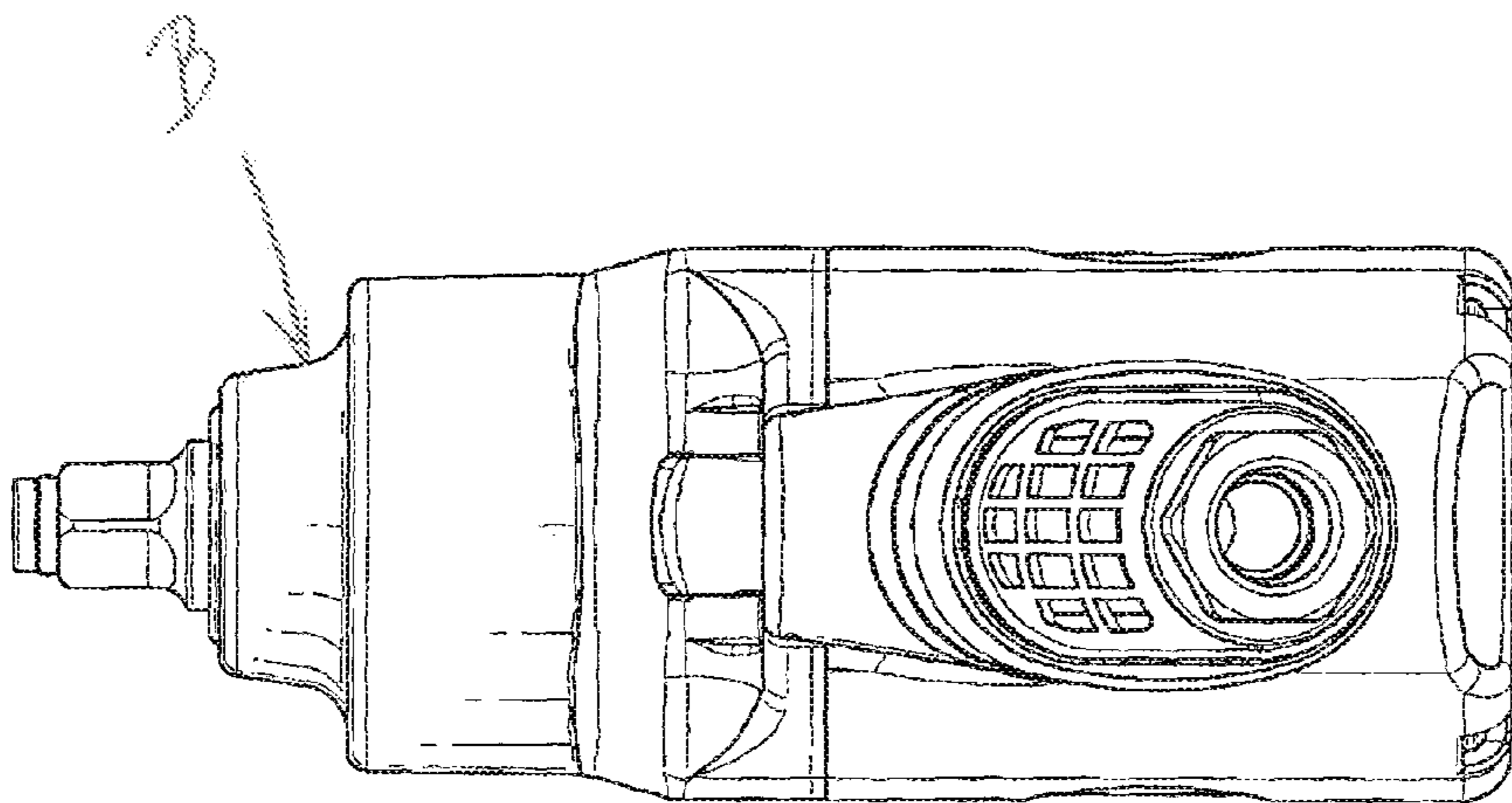


Fig. 5

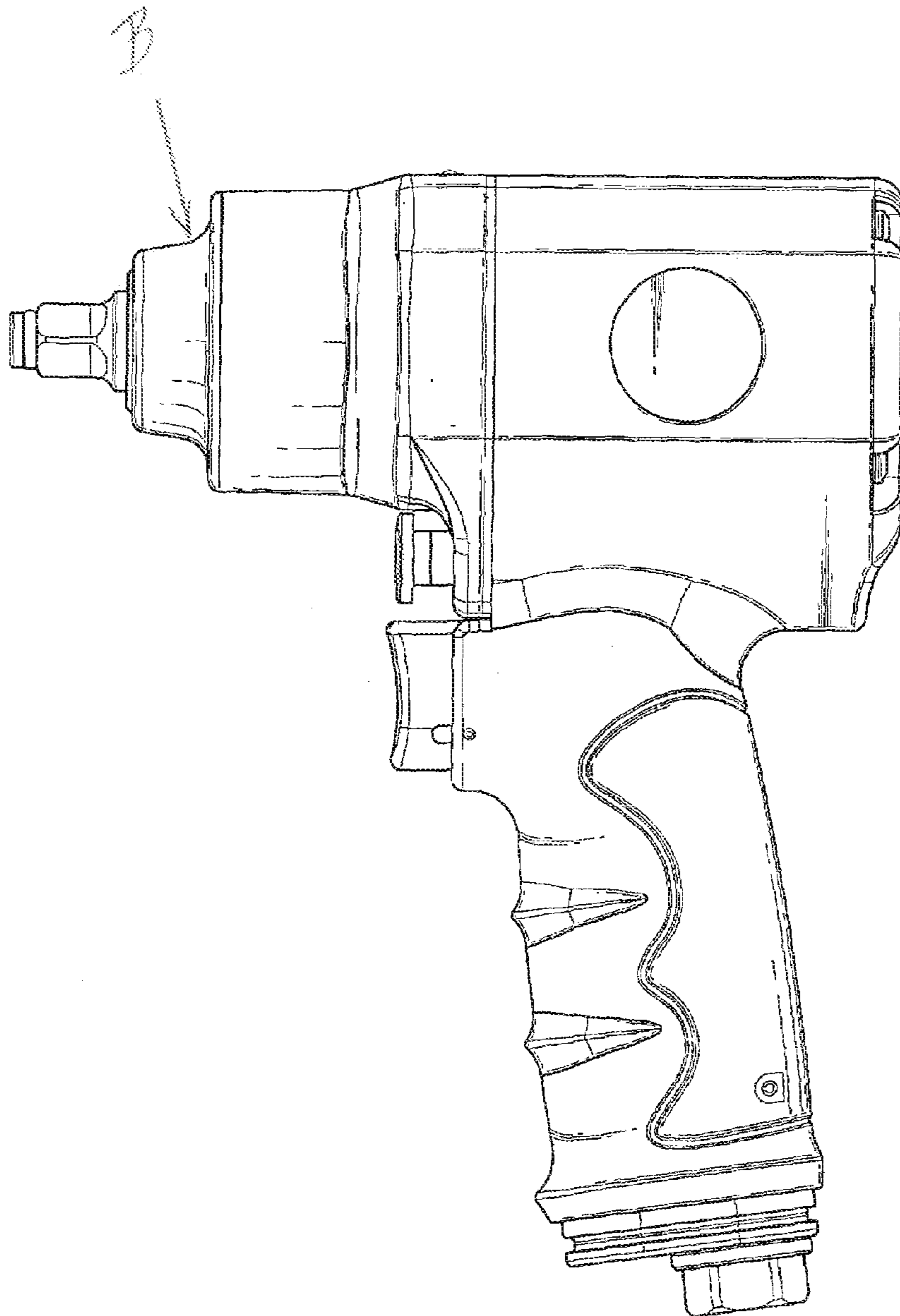


Fig. 4

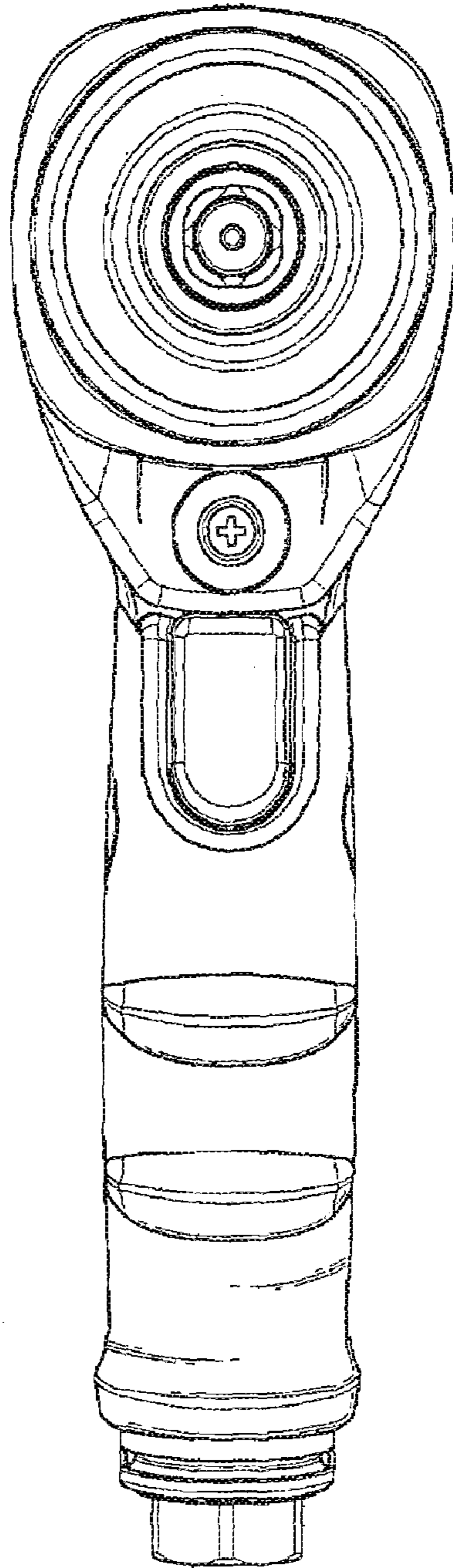


Fig. 6

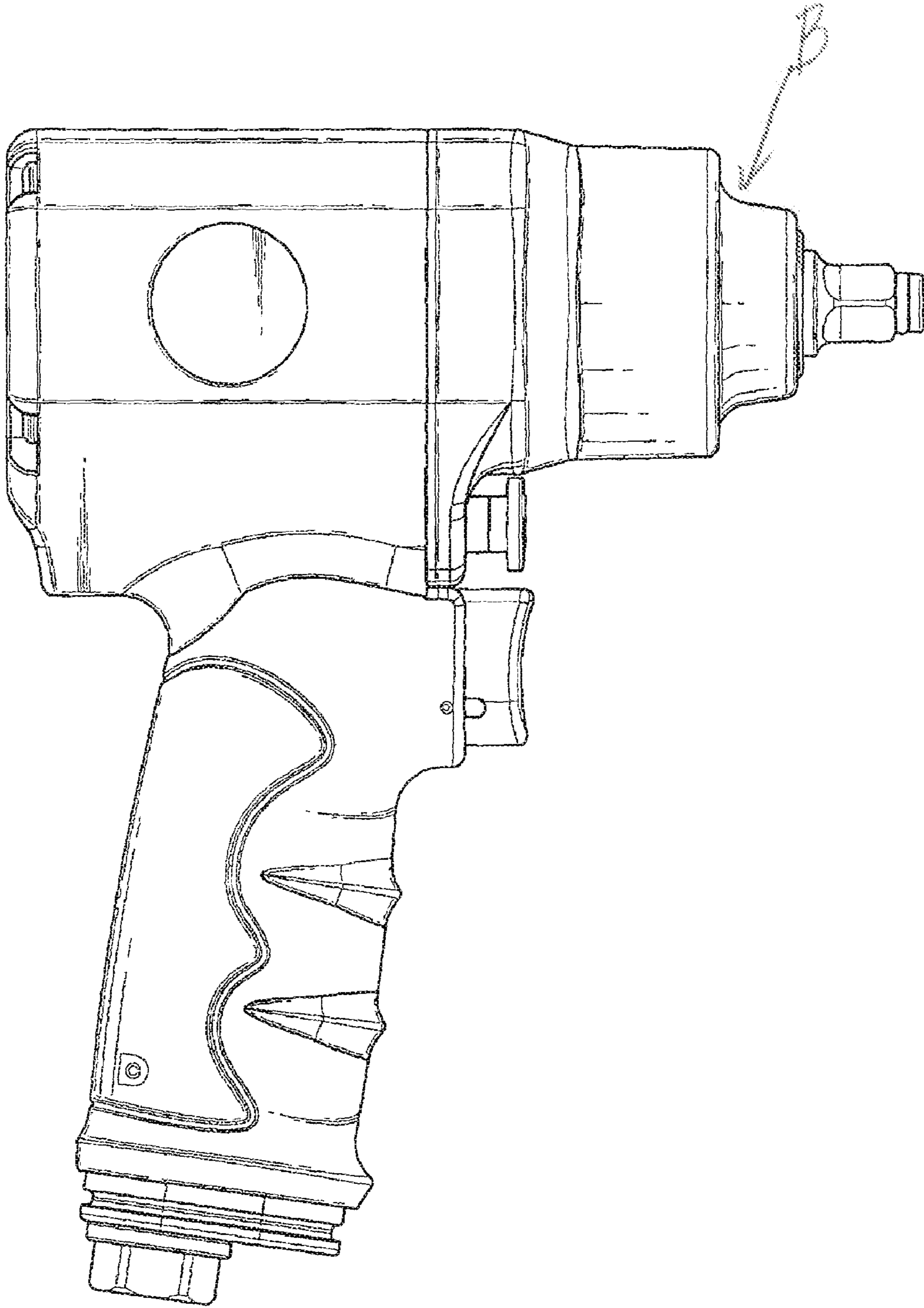


Fig. 7