



US00D572989S

(12) **United States Design Patent**
Netzler

(10) **Patent No.:** **US D572,989 S**
(45) **Date of Patent:** **** Jul. 15, 2008**

(54) **CIRCULAR SAW**

(75) Inventor: **Sion Netzler**, Abingdon, MD (US)

(73) Assignee: **Black & Decker Inc.**, Newark, DE (US)

(**) Term: **14 Years**

(21) Appl. No.: **29/292,845**

(22) Filed: **Oct. 30, 2007**

(30) **Foreign Application Priority Data**

May 2, 2007 (EP) 000716600-0001

(51) **LOC (8) Cl.** **08-03**

(52) **U.S. Cl.** **D8/66**

(58) **Field of Classification Search** D8/69,
D8/68, 67, 66, 64, 61, 70; 83/698.41, 747,
83/166.3, 374, 373, 375, 376, 391, 377, 390,
83/388, 389; 125/13.01; 144/218
See application file for complete search history.

(56) **References Cited**

U.S. PATENT DOCUMENTS

5,010,651 A * 4/1991 Techter et al. 303/76
D329,363 S * 9/1992 Sasaki et al. D8/66
5,327,649 A * 7/1994 Skinner 30/124
5,381,602 A * 1/1995 Matzo et al. 30/377
D378,488 S * 3/1997 Ito et al. D8/66
5,911,482 A * 6/1999 Campbell et al. 30/390
D427,873 S * 7/2000 Inoue D8/66
D429,133 S * 8/2000 Lui D8/66
D475,265 S * 6/2003 Hatch et al. D8/66
6,612,038 B2 * 9/2003 Onose et al. 30/391
D488,977 S * 4/2004 Evans D8/66

D500,438 S * 1/2005 Andriolo D8/66
D501,776 S * 2/2005 Wu D8/66
D504,297 S * 4/2005 Tillman et al. D8/66
D539,108 S * 3/2007 Roberts D8/66
D539,626 S * 4/2007 Roberts D8/66
D559,645 S * 1/2008 Okuda et al. D8/66
2005/0211235 A1 * 9/2005 Governo 125/13.03

* cited by examiner

Primary Examiner—Cathron Brooks

Assistant Examiner—Austin Murphy

(74) *Attorney, Agent, or Firm*—Mehul R. Jani; Adan Ayala

(57) **CLAIM**

The ornamental design for a circular saw, as shown and described.

DESCRIPTION

FIG. 1 is a perspective view of a circular saw showing my new design.

FIG. 2 is a left side view of a circular saw according to FIG. 1.

FIG. 3 is a right side view of a circular saw according to FIG. 1.

FIG. 4 is a front view of a circular saw according to FIG. 1.

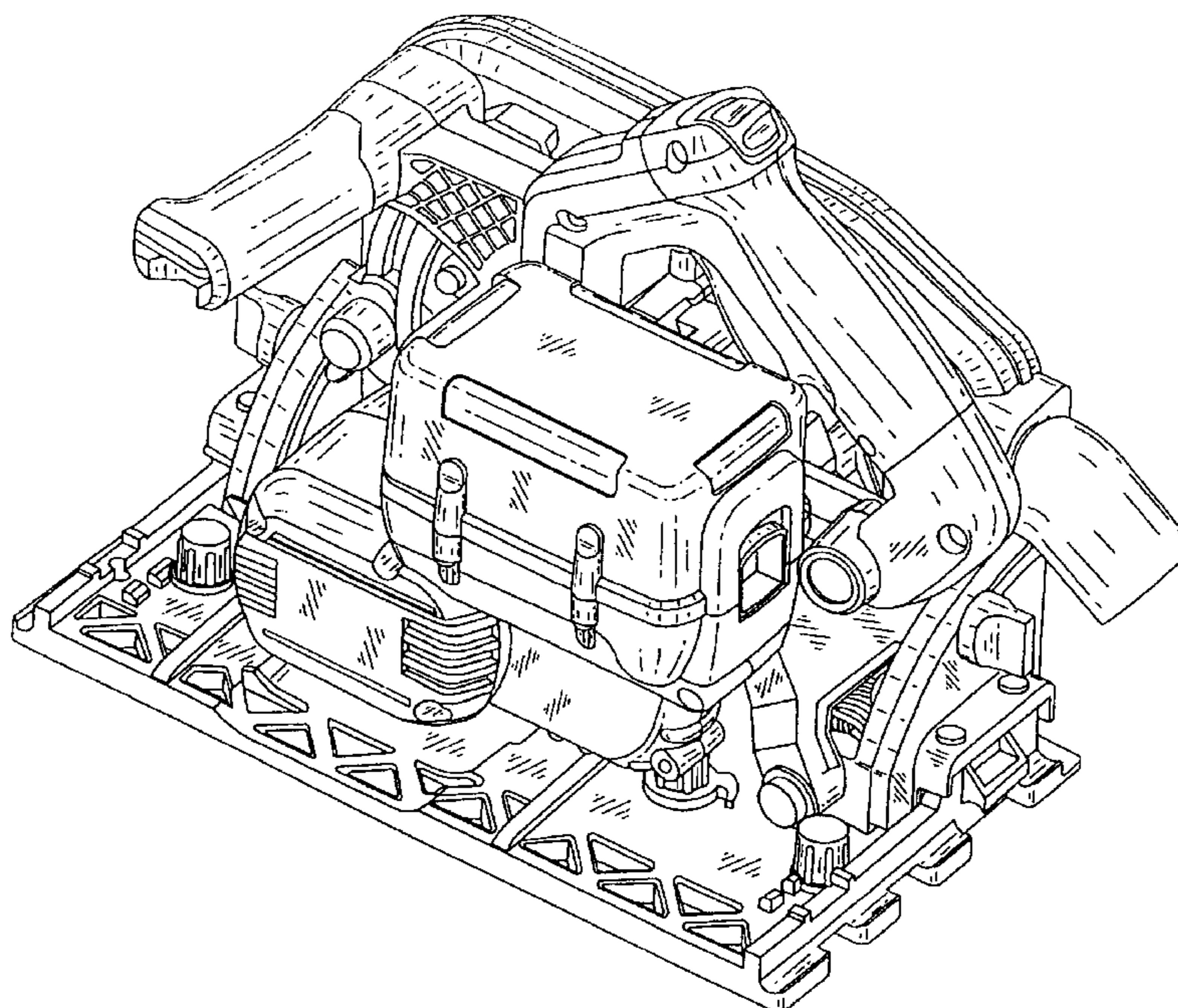
FIG. 5 is a rear view of a circular saw according to FIG. 1.

FIG. 6 is a top view of a circular saw according to FIG. 1; and,

FIG. 7 is a bottom view of a circular saw according to FIG. 1.

The broken lines shown in the drawings form no part of the claimed design.

1 Claim, 7 Drawing Sheets



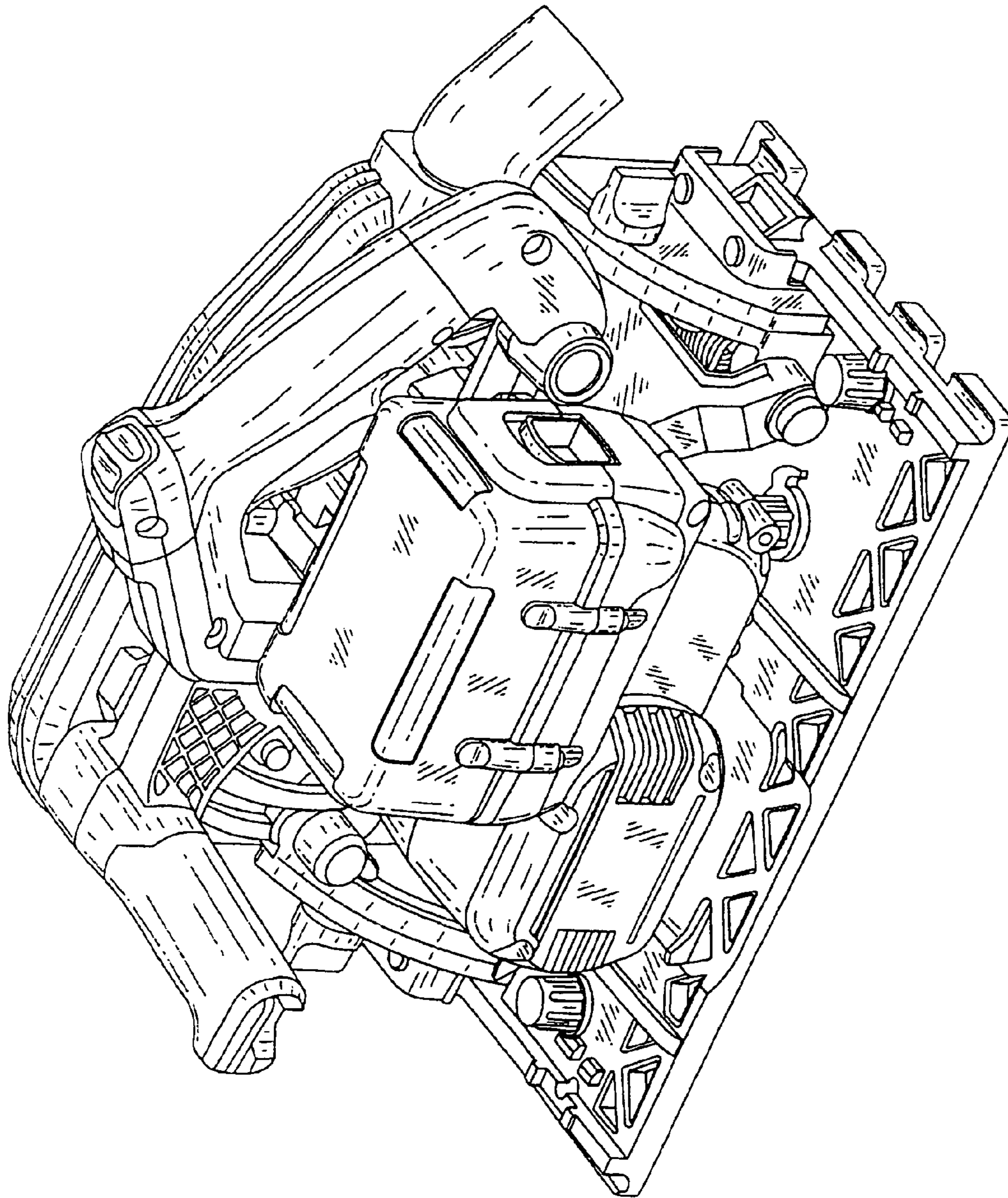


FIG. 1

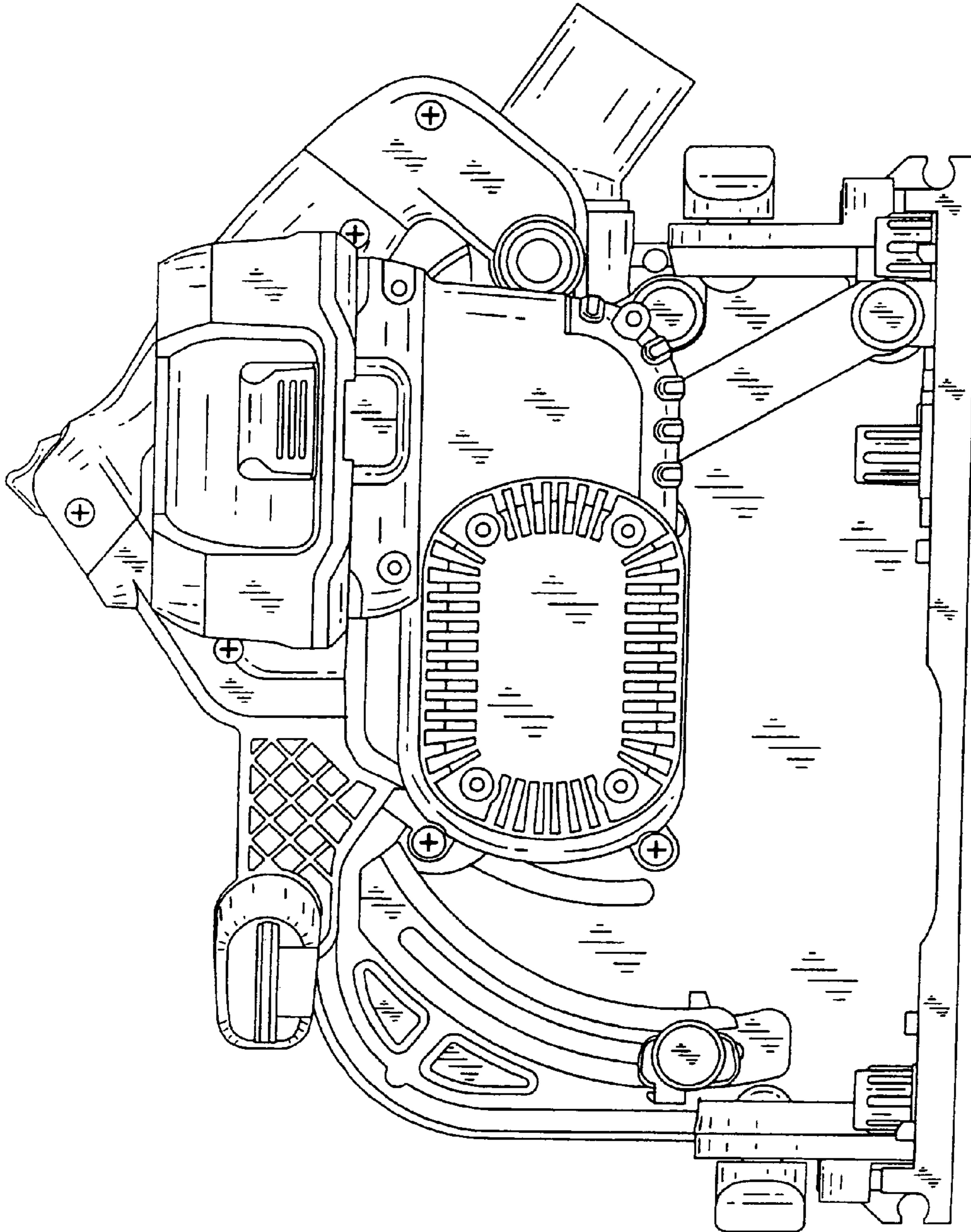


FIG. 2

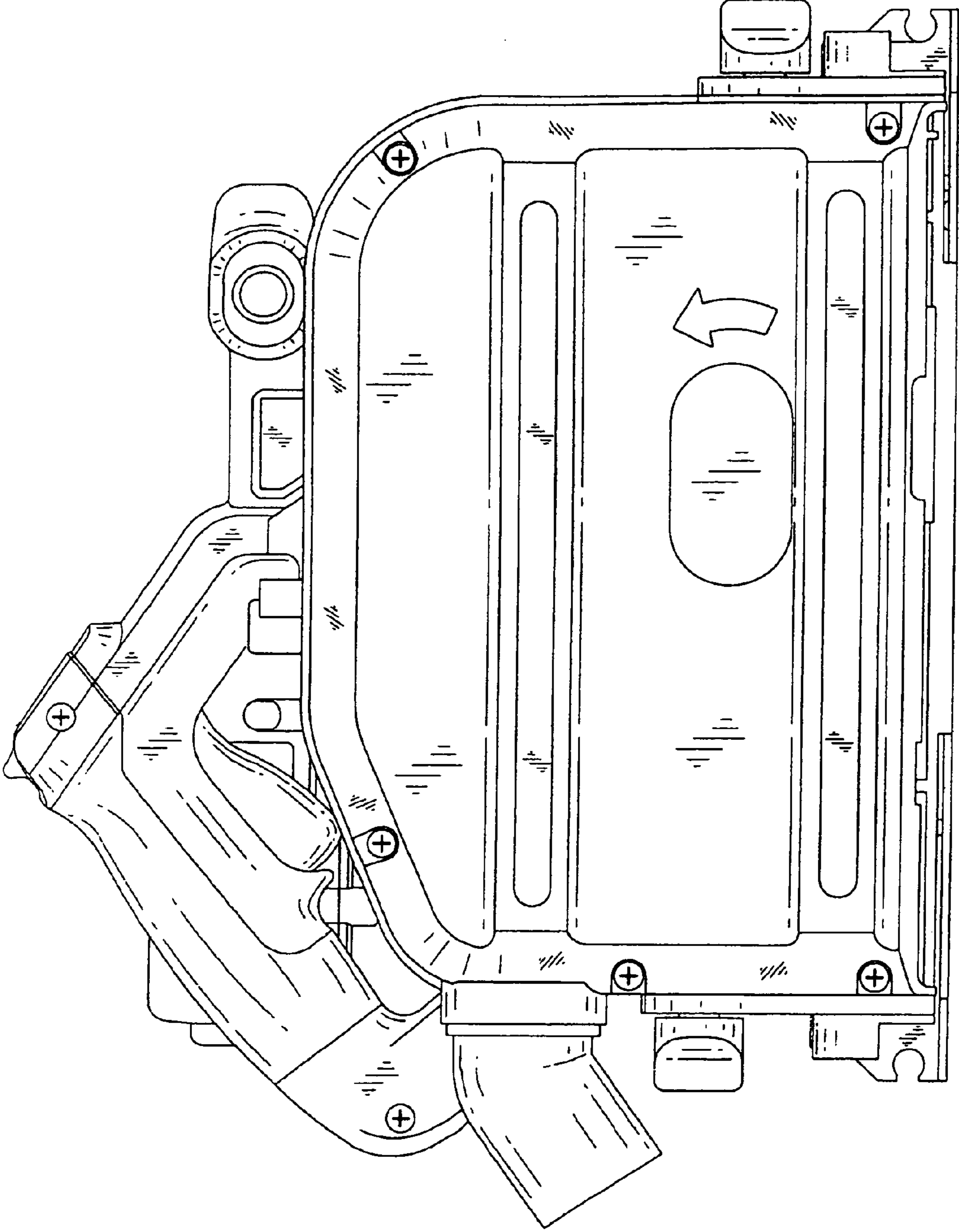


FIG. 3

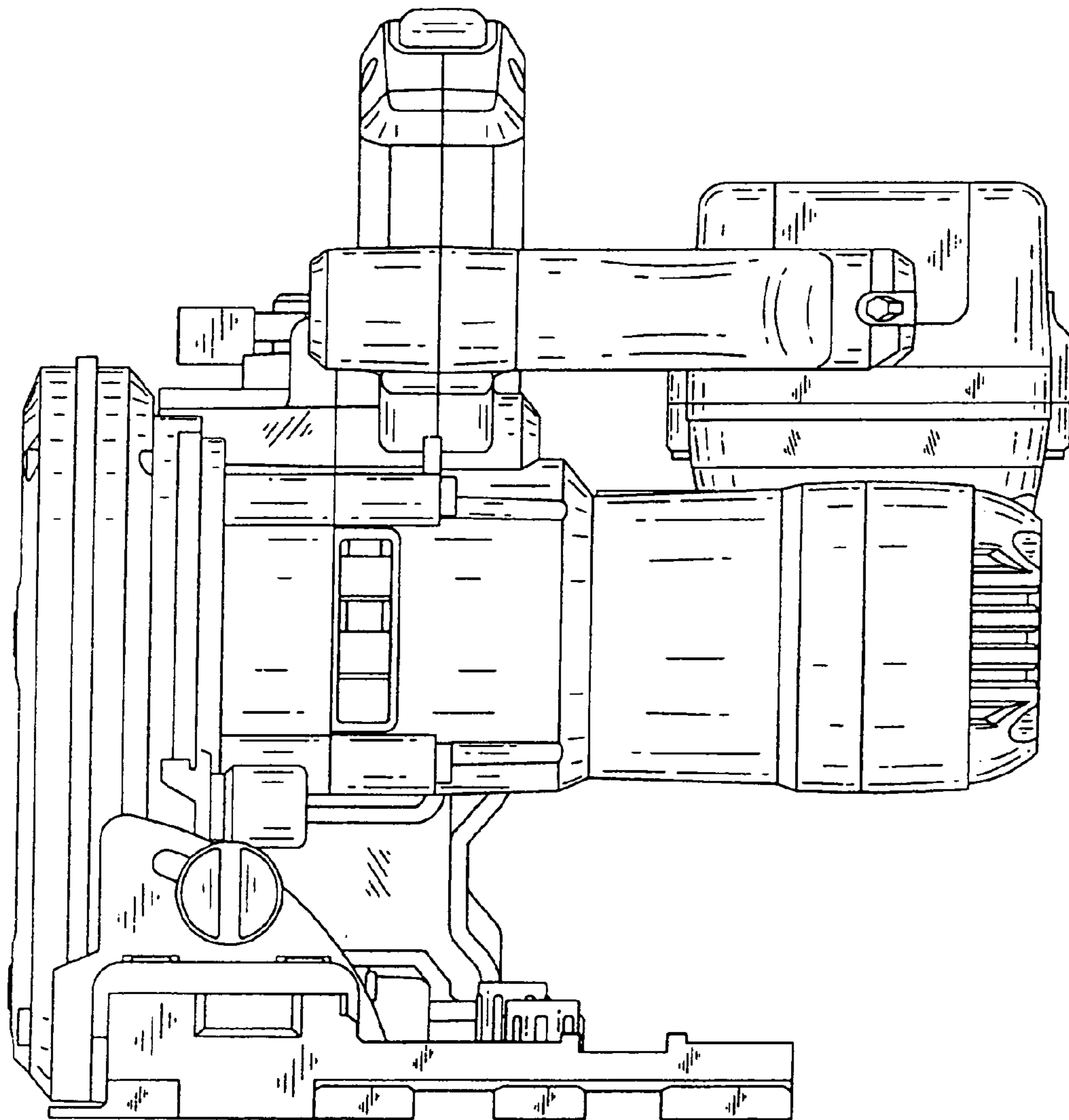


FIG. 4

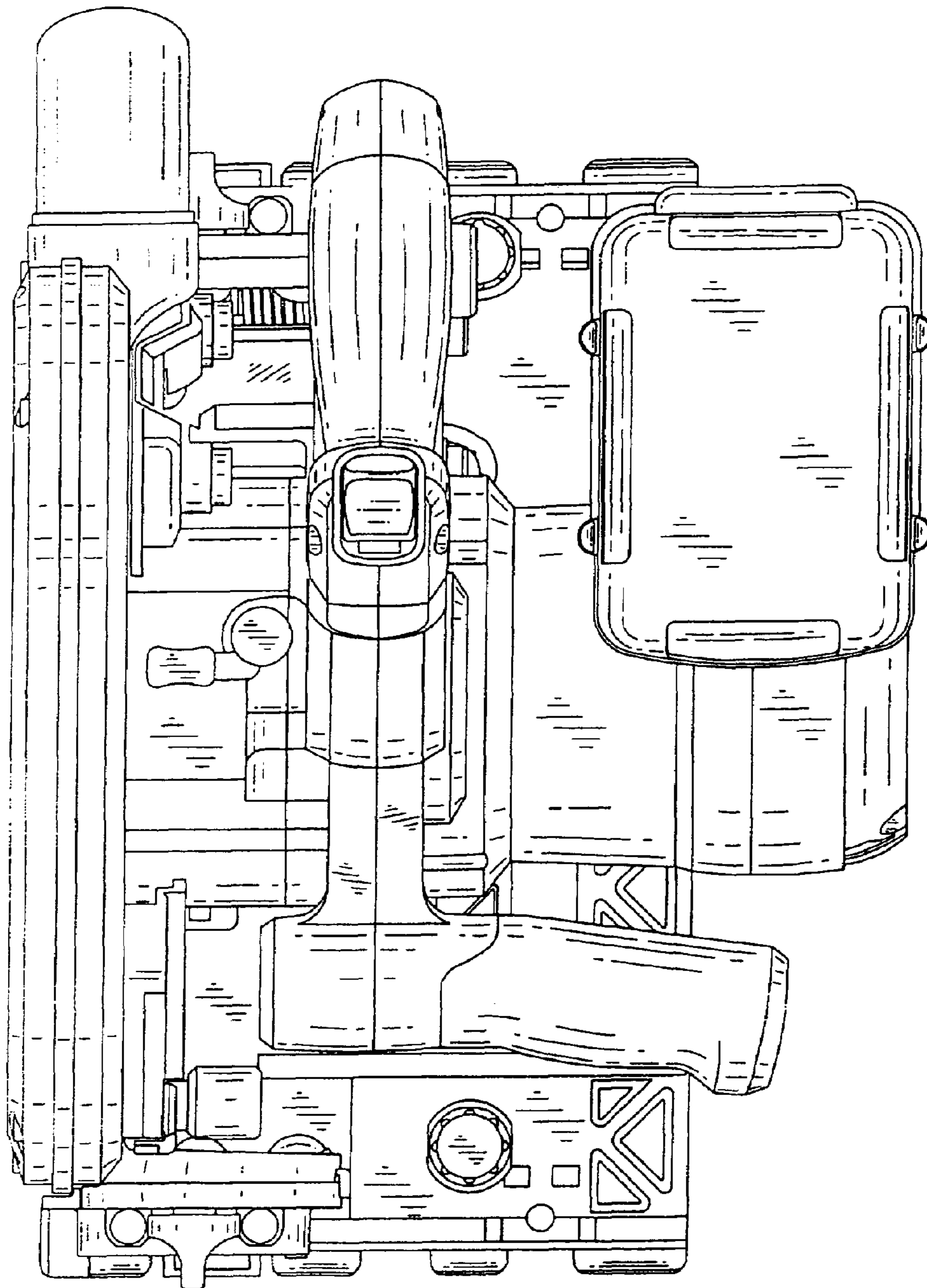


FIG. 6

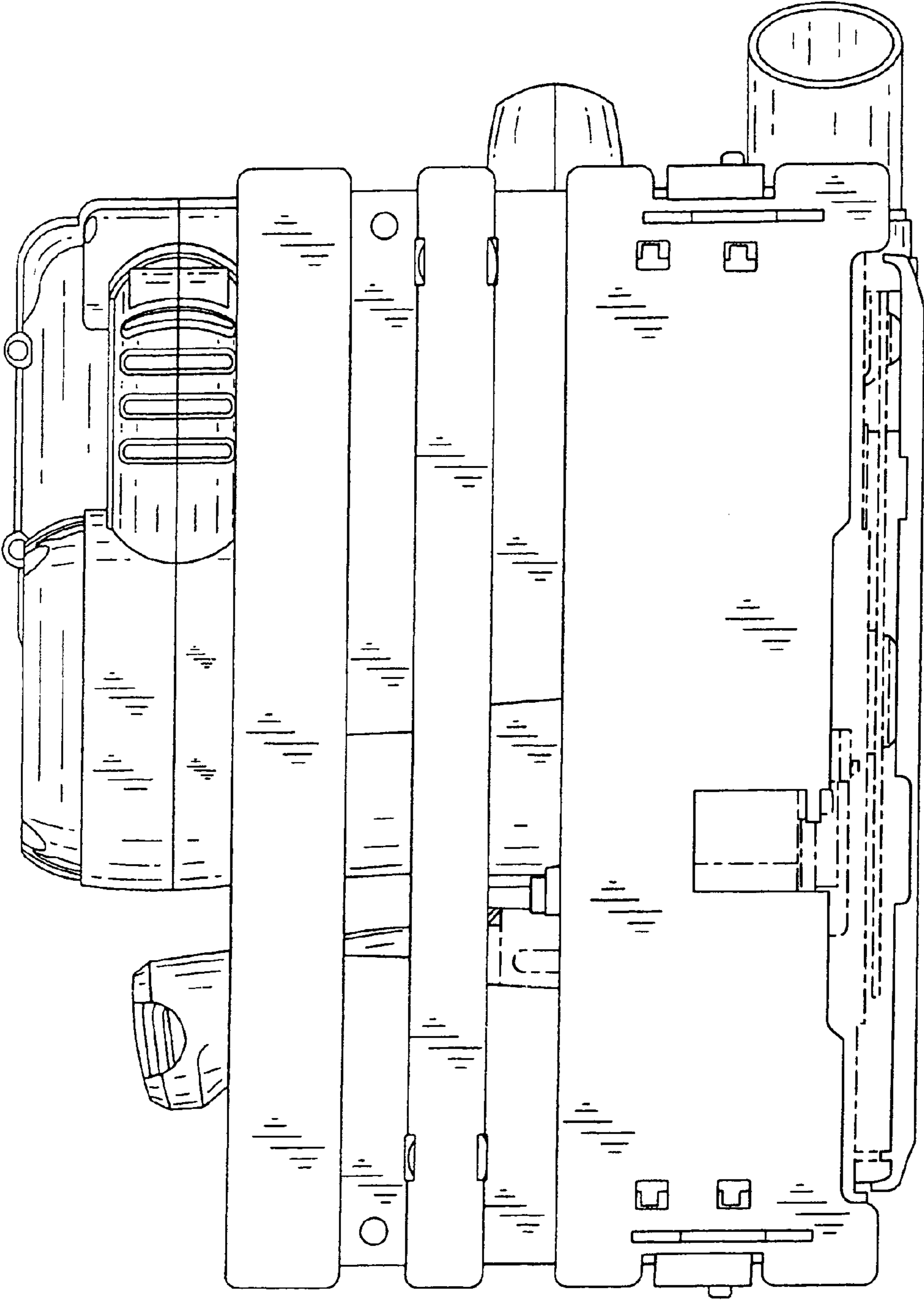


FIG. 7