



US00D572988S

(12) **United States Design Patent**
Jalet

(10) **Patent No.:** **US D572,988 S**
(45) **Date of Patent:** **** Jul. 15, 2008**

(54) **CORKSCREW**

(75) Inventor: **Vincent Jalet**, Brussels (BE)

(73) Assignee: **Dart Industries Inc.**, Orlando, FL (US)

(**) Term: **14 Years**

(21) Appl. No.: **29/271,720**

(22) Filed: **Jan. 25, 2007**

(51) **LOC (8) Cl.** **07-06**

(52) **U.S. Cl.** **D8/42**

(58) **Field of Classification Search** D7/372,
D7/414, 679; D8/14, 18, 33, 38-43; 7/151,
7/154-156; 81/3.07, 3.2, 3.29, 3.31, 3.33,
81/3.35, 3.37, 3.45, 3.48, 3.49

See application file for complete search history.

(56) **References Cited**

U.S. PATENT DOCUMENTS

310,766	A	1/1885	Wilhelm	
2,522,219	A	9/1950	Gaeta	
4,276,789	A	7/1981	Allen	
4,291,597	A	9/1981	Allen	
4,377,096	A	3/1983	Allen	
D281,855	S	12/1985	Kuhn	
4,572,034	A	2/1986	Lee	
4,703,673	A	11/1987	Allen	
4,727,779	A	3/1988	Lee	
4,800,784	A	1/1989	Allen	
D335,072	S	4/1993	Gourhant	
D339,041	S	9/1993	Tanfoglio	
5,351,579	A	10/1994	Metz et al.	
5,361,652	A	11/1994	Andina	
D364,324	S *	11/1995	Entwistle	D8/42

D366,198	S	1/1996	Laib	
D397,010	S *	8/1998	Usbeck	D8/42
D421,701	S *	3/2000	Hollinger	D8/42
D455,622	S *	4/2002	Tse	D8/42
6,401,569	B2 *	6/2002	Usbeck	81/3.29
D498,651	S *	11/2004	Bates et al.	D8/42
7,024,715	B2 *	4/2006	Hefti et al.	7/156
D521,828	S *	5/2006	Overthun et al.	D8/42

FOREIGN PATENT DOCUMENTS

WO WO 88/03512 5/1988

* cited by examiner

Primary Examiner—Caron D. Veynar

Assistant Examiner—Garth Rademaker

(74) *Attorney, Agent, or Firm*—John A. Doninger

(57) **CLAIM**

The ornamental design for a corkscrew, as shown and described.

DESCRIPTION

FIG. 1 is a top, side and front perspective view of a corkscrew showing my new design;

FIG. 2 is a front elevation view thereof;

FIG. 3 is a rear elevation view thereof;

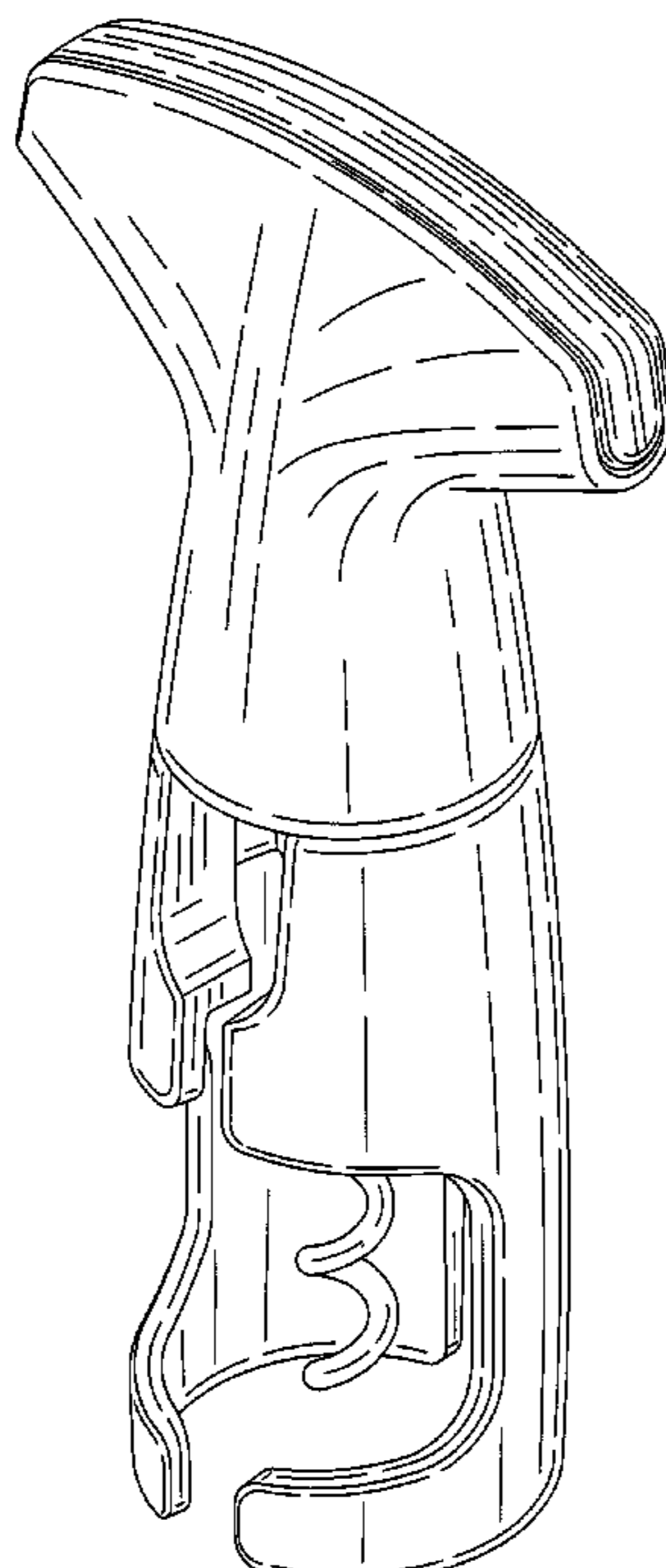
FIG. 4 is a right side elevation view thereof, the left side elevation being a mirror image thereof;

FIG. 5 is a top plan view thereof; and,

FIG. 6 is a bottom plan view thereof.

The broken lines depict environmental subject matter only and form no part of the claimed design.

1 Claim, 5 Drawing Sheets



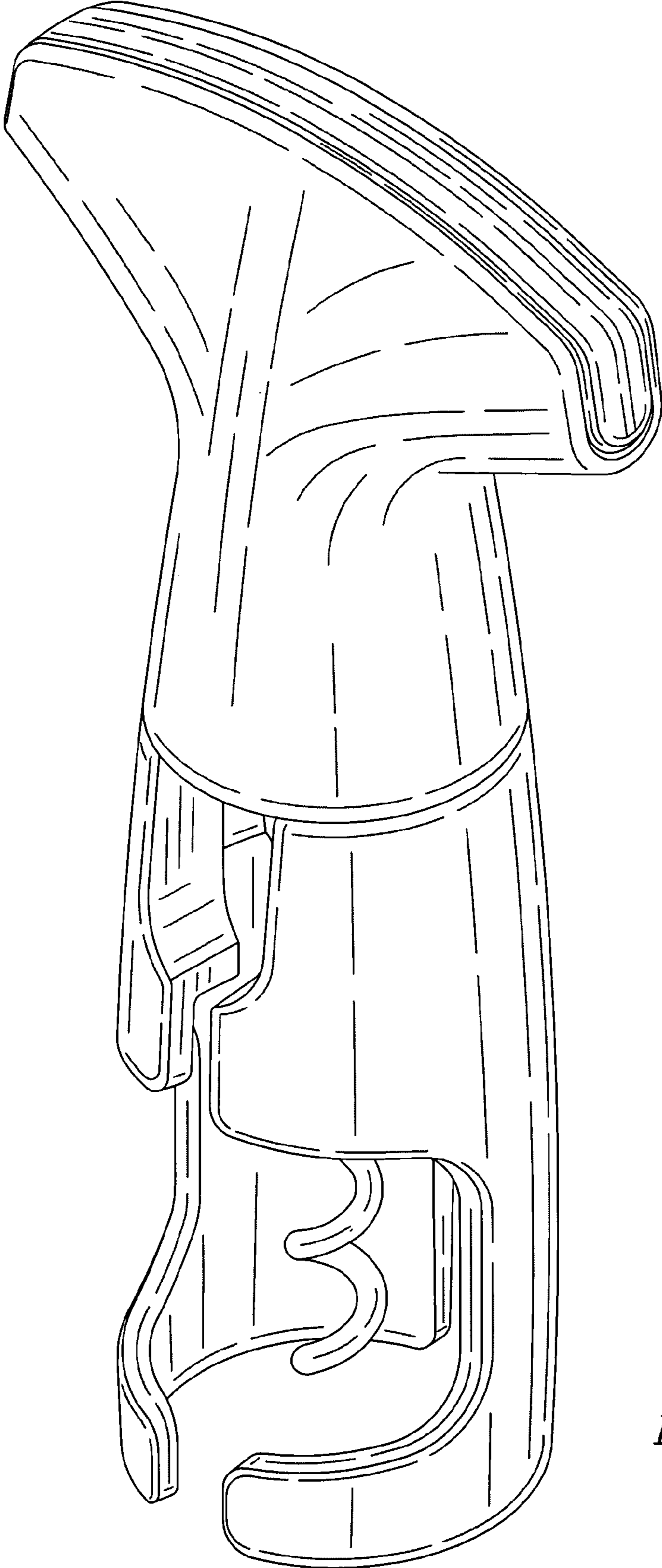


FIG. 1

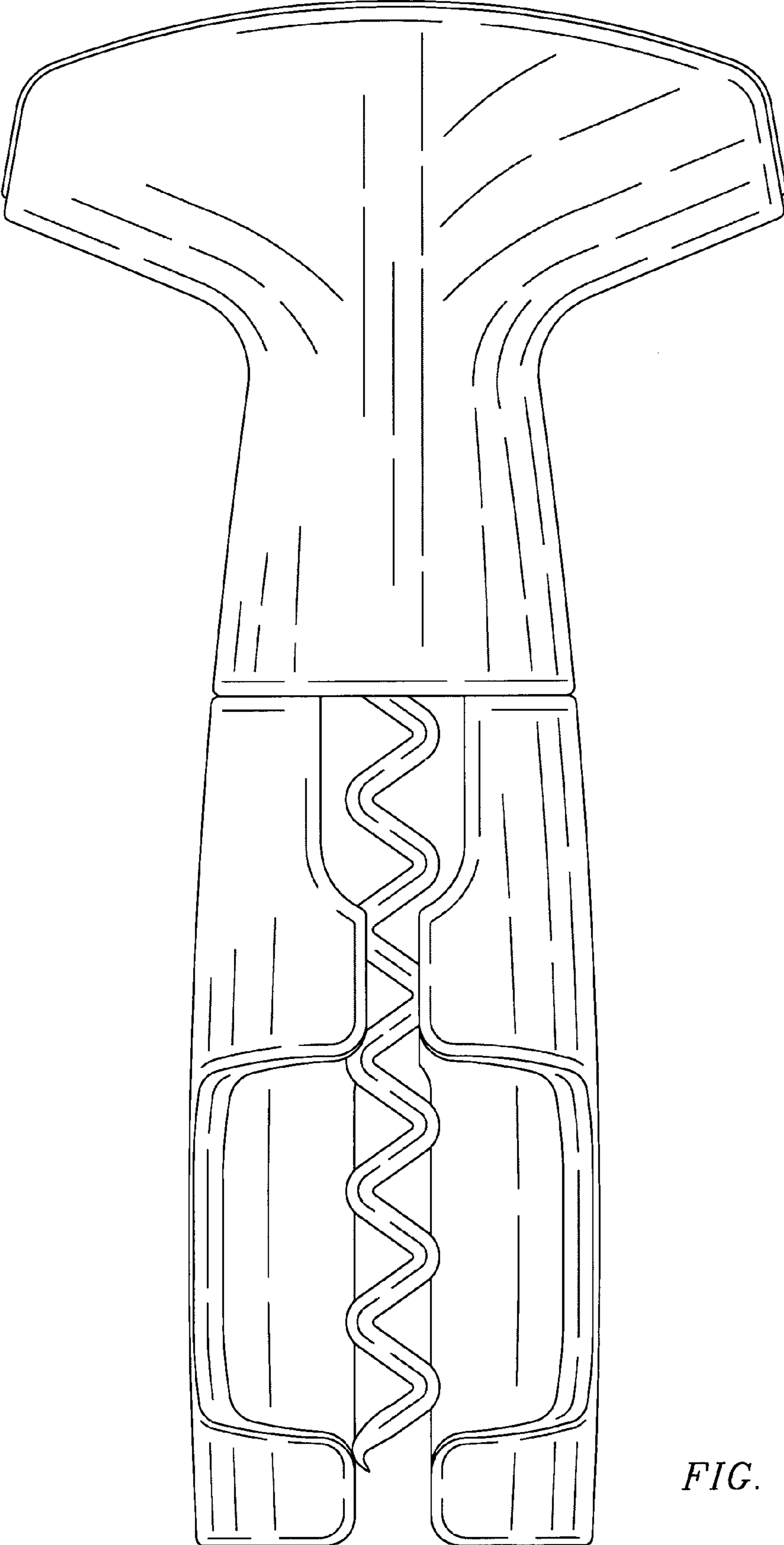


FIG. 2

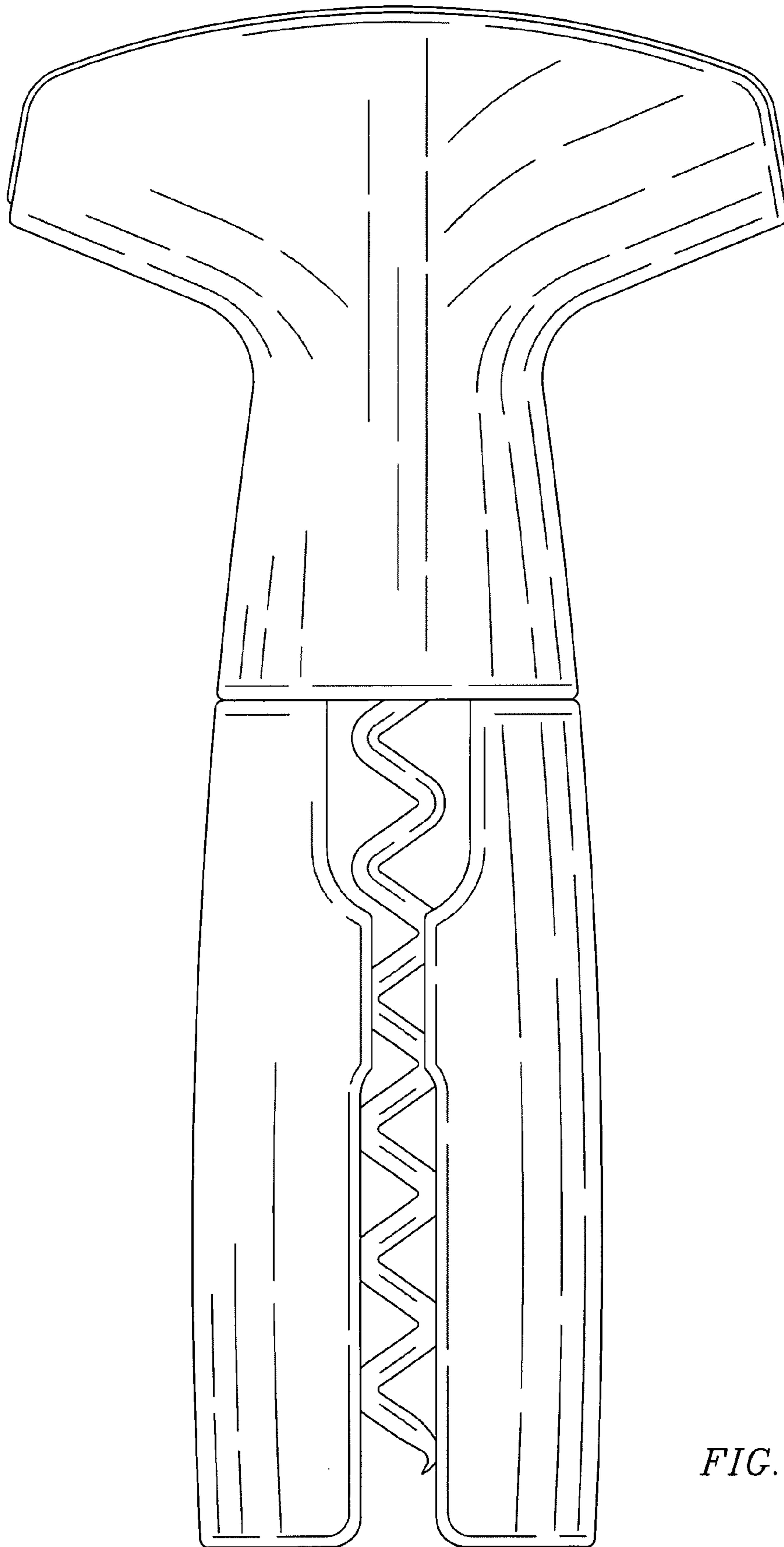


FIG. 3

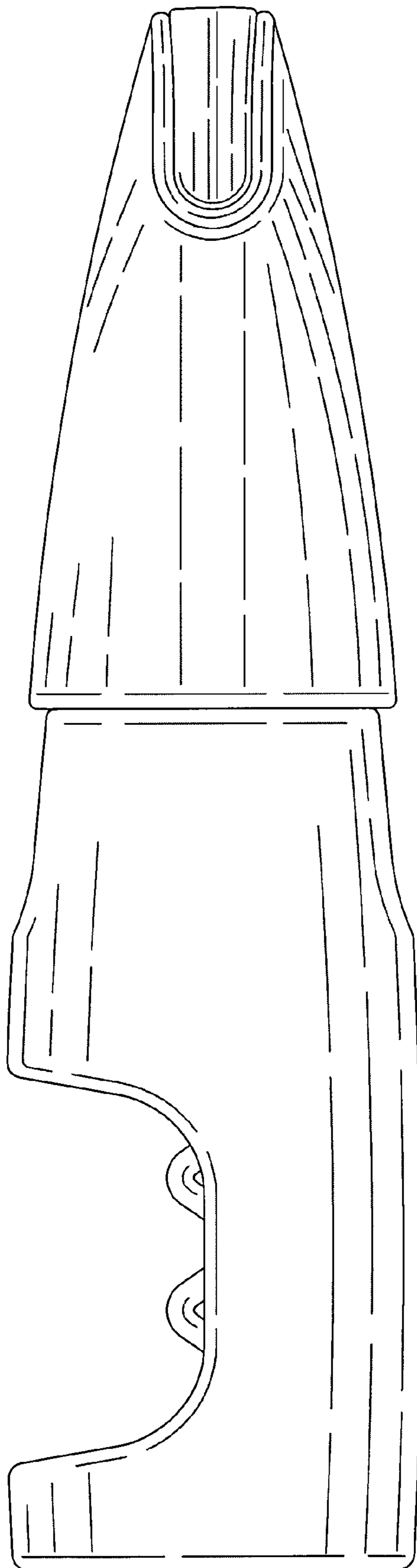


FIG. 4

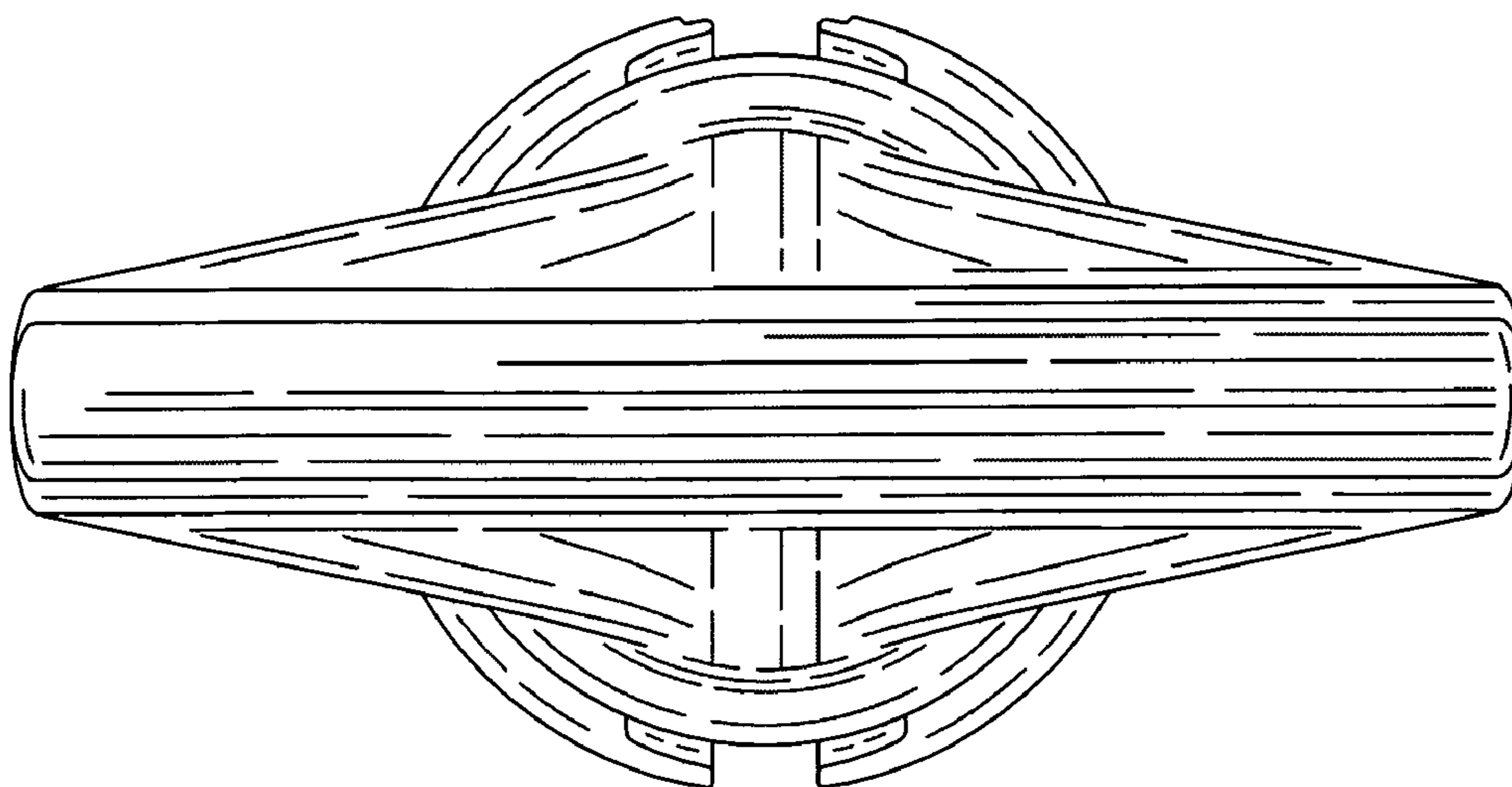


FIG. 5

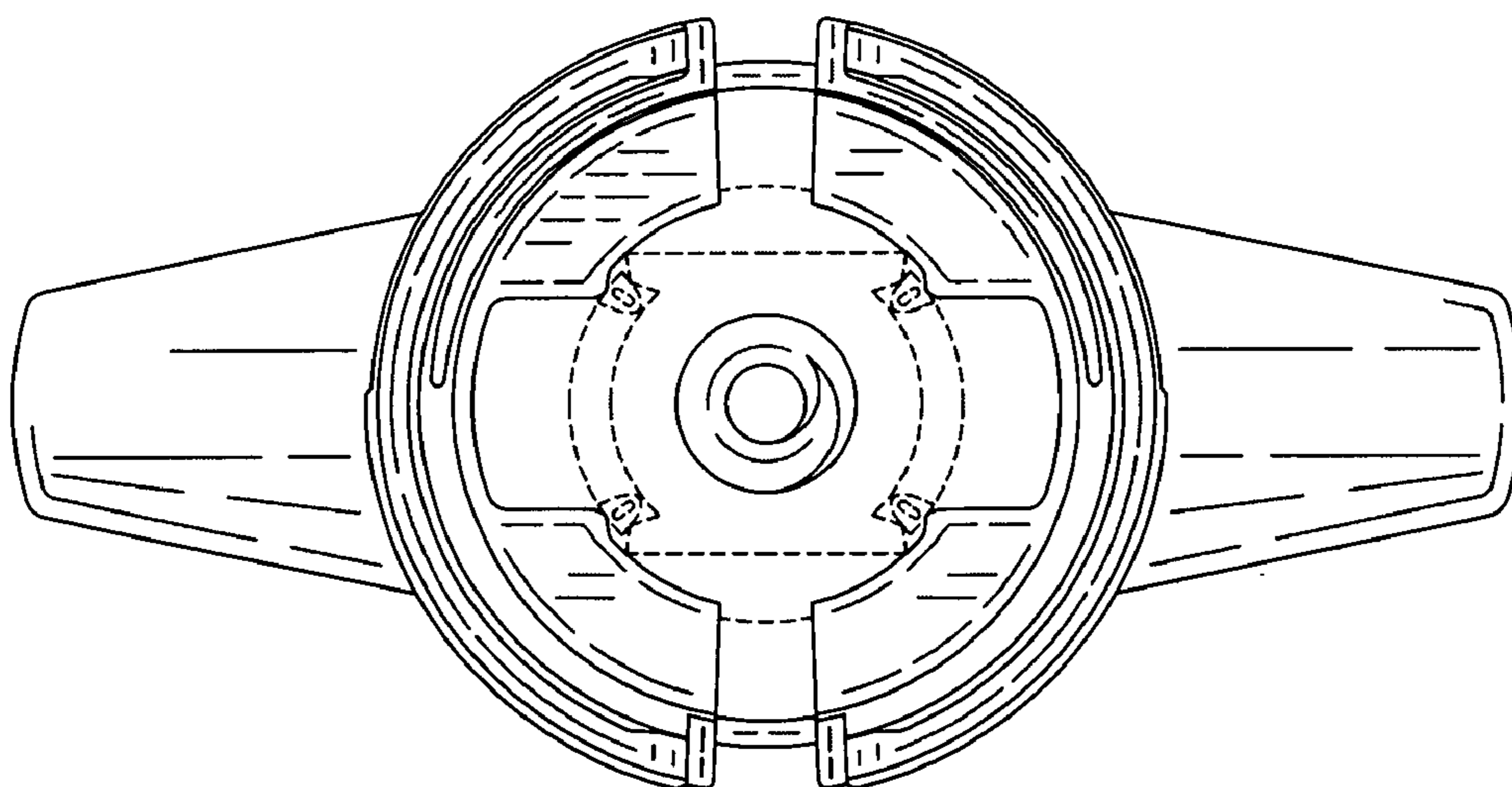


FIG. 6