



US00D572986S

(12) **United States Design Patent**  
**Zhu et al.**

(10) **Patent No.:** **US D572,986 S**  
(45) **Date of Patent:** **\*\* Jul. 15, 2008**

(54) **GROUND SPIKE**

GB 2 355 996 A 9/2001

(75) Inventors: **Jianzhong Zhu**, Suzhou (CN); **Simon Walker**, Surrey (CA)

*Primary Examiner*—Holly H. Baynham

*Assistant Examiner*—Sheryl Friedman

(74) *Attorney, Agent, or Firm*—Mark Hopkinson

(73) Assignee: **Peak Innovations Inc.**, Richmond, British Columbia

(57) **CLAIM**

(\*\*) Term: **14 Years**

The ornamental design for ground spike, as shown and described.

(21) Appl. No.: **29/279,918**

(22) Filed: **May 10, 2007**

**DESCRIPTION**

(30) **Foreign Application Priority Data**

Nov. 10, 2006 (CA) ..... 118185

FIG. 1 is a perspective view of a first embodiment of the design;

FIG. 2 is a front side view of the first embodiment of the design;

(51) **LOC (8) Cl.** ..... **08-01**

(52) **U.S. Cl.** ..... **D8/1**

(58) **Field of Classification Search** ..... D8/1,  
D8/388; 47/47; D21/840; 135/118  
See application file for complete search history.

FIG. 3 is a rear side view of the first embodiment of the design;

FIG. 4 is a left side view of the first embodiment of the design;  
FIG. 5 is a right side view of the first embodiment of the design;

(56) **References Cited**

**U.S. PATENT DOCUMENTS**

4,249,715 A 2/1981 Repp  
4,588,157 A 5/1986 Mills  
4,651,399 A 3/1987 Moraly  
4,874,149 A 10/1989 Miceli  
D316,367 S \* 4/1991 Olson ..... D8/356  
D325,870 S \* 5/1992 Niles ..... D8/388  
5,230,187 A \* 7/1993 Reimann ..... 52/102  
D349,434 S \* 8/1994 Archambeau ..... D8/1  
5,456,441 A 10/1995 Callies

FIG. 6 is an enlarged fragmentary perspective view of the first embodiment of the design;

FIG. 7 is a top view of the first embodiment of the design;

FIG. 8 is a bottom view of the first embodiment of the design;

FIG. 9 is a top view of a second embodiment of the design;  
and,

FIG. 10 is a bottom view of the second embodiment of the design.

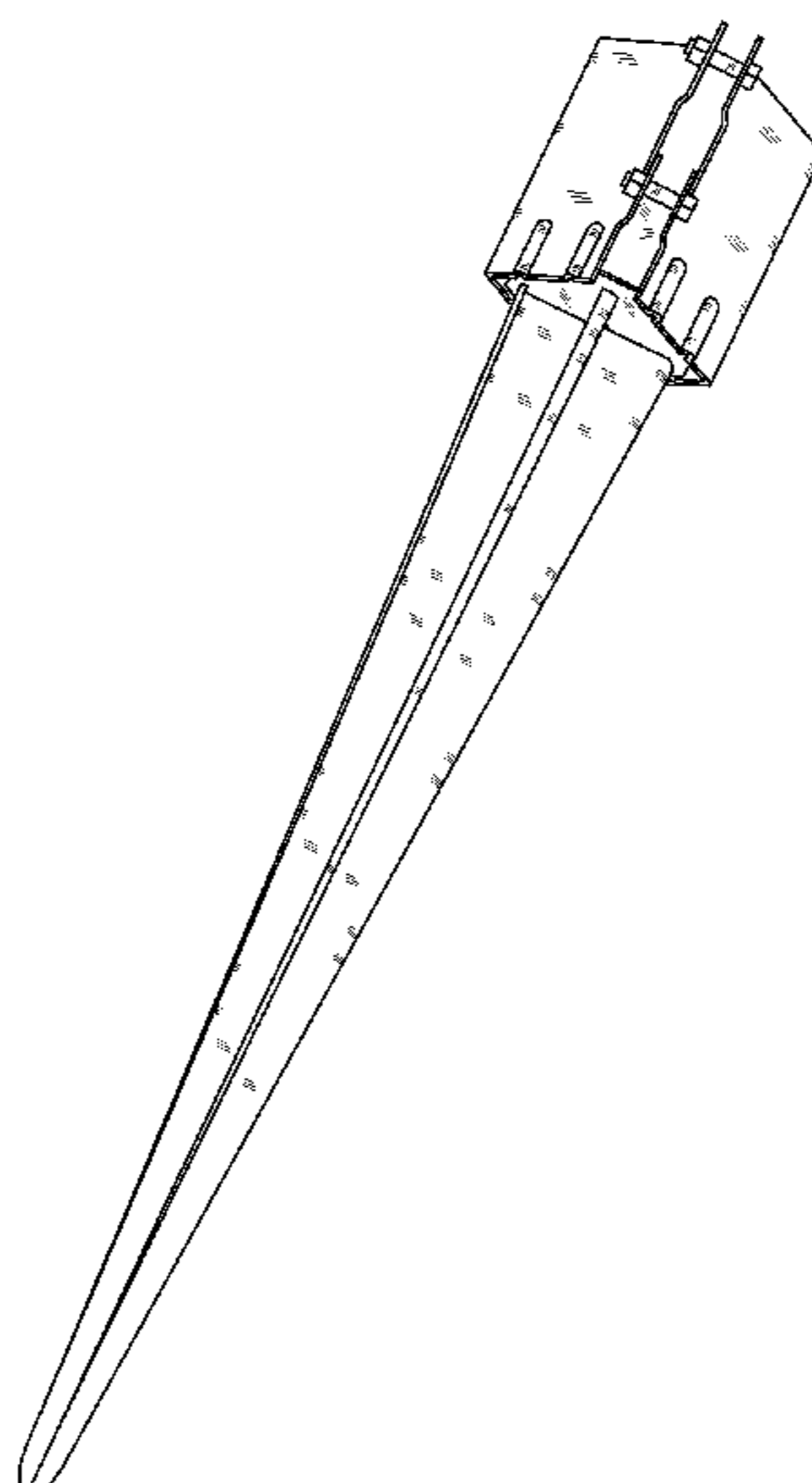
(Continued)

**FOREIGN PATENT DOCUMENTS**

EP 0 144 870 A2 11/1984  
GB 2 268 523 A 12/1994  
GB 2 284 435 A 7/1995  
GB 2 322 877 A 9/1998

The front, rear, left, right and perspective views of the second embodiment are not shown, however the second embodiment is the same as the first embodiment except that the blade portion is rotated by 45° with respect to the socket portion of the design. This difference between embodiments is clearly shown in a comparison of bottom views, namely FIGS. 8 and 10.

**1 Claim, 6 Drawing Sheets**



# US D572,986 S

Page 2

---

## U.S. PATENT DOCUMENTS

D364,785 S *	12/1995	Archambeau .....	D8/1	6,039,298 A	3/2000	Stier	
D365,169 S *	12/1995	Fillipp .....	D26/138	D424,713 S	5/2000	Blackwell	
D377,076 S *	12/1996	Adams .....	D21/840	D437,750 S *	2/2001	Kinn .....	D8/1
D378,980 S *	4/1997	Thayer et al. ....	D8/1	D438,435 S *	3/2001	Whyte .....	D8/1
D379,416 S *	5/1997	Adams .....	D8/1	6,273,390 B1	8/2001	Meyer	
D380,569 S *	7/1997	Garber .....	D8/388	6,308,926 B1	10/2001	Meyer	
5,709,366 A	1/1998	Speece		D469,566 S *	1/2003	Gary et al. ....	D26/138
D415,018 S *	10/1999	Uhler .....	D21/840	D491,029 S *	6/2004	Atkins et al. ....	D8/1
D419,403 S *	1/2000	Halil, Jr. ....	D8/1	D493,205 S *	7/2004	Combes .....	D21/840
				D553,919 S *	10/2007	Gross et al. ....	D8/1

\* cited by examiner

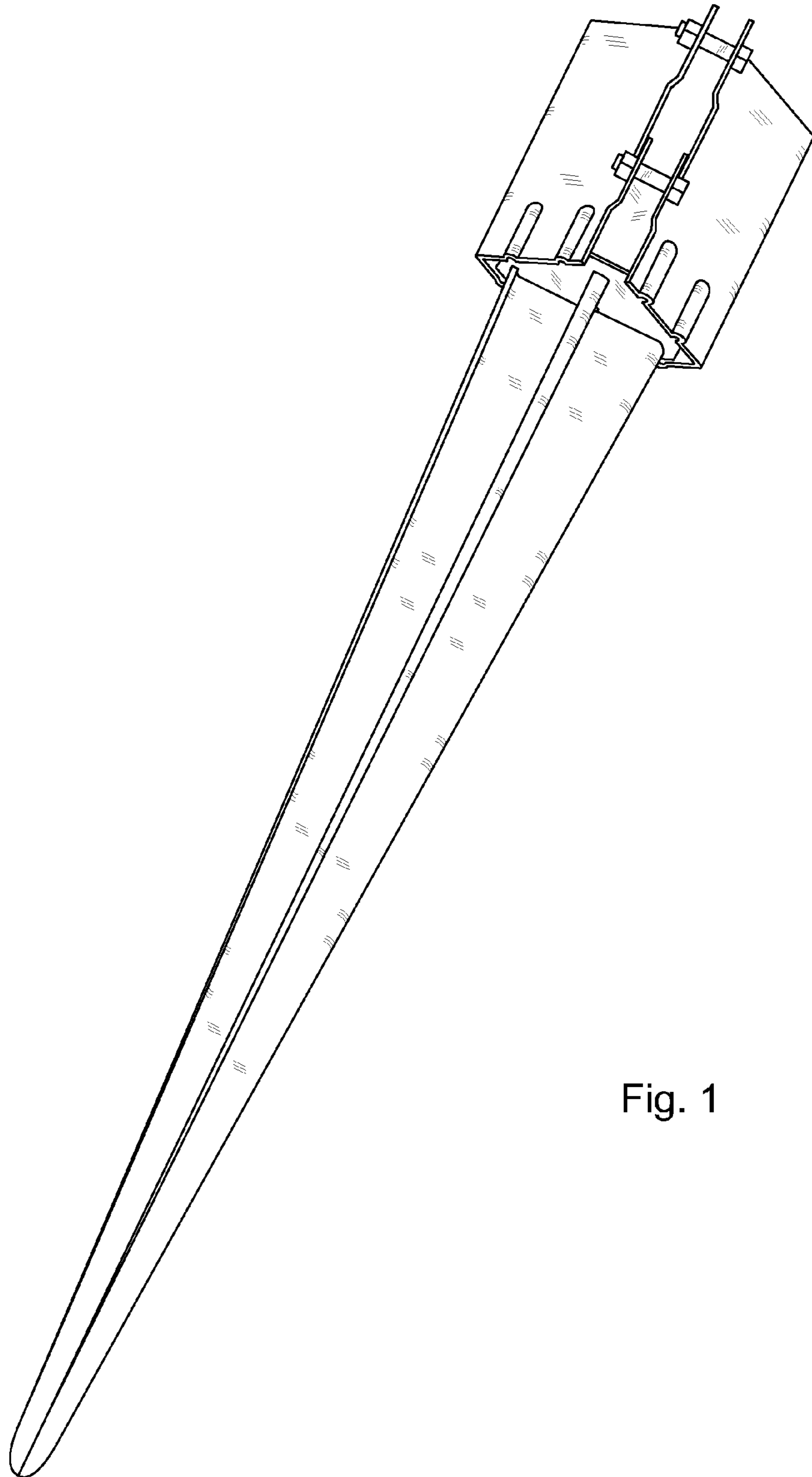


Fig. 1

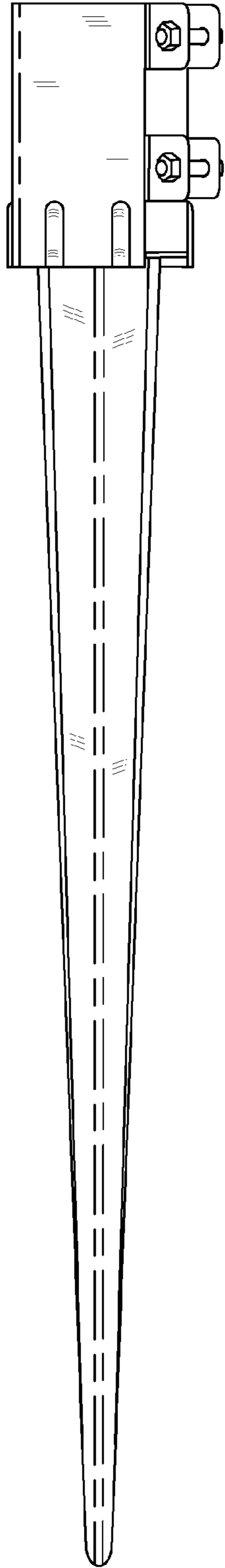


Fig. 2

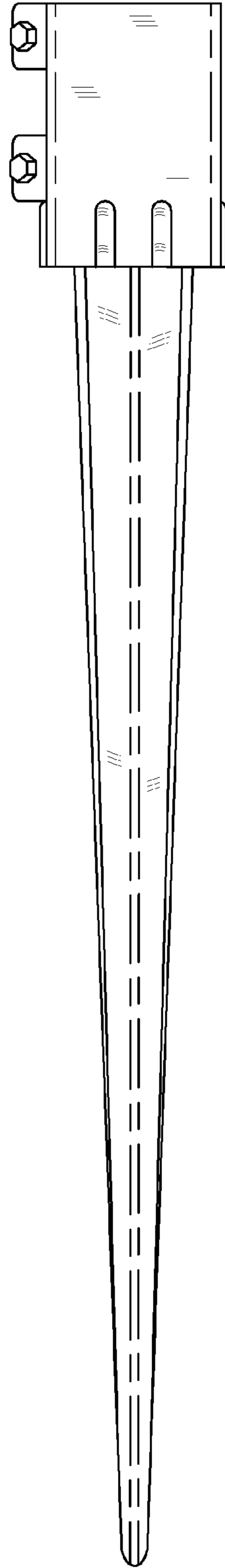


Fig. 3

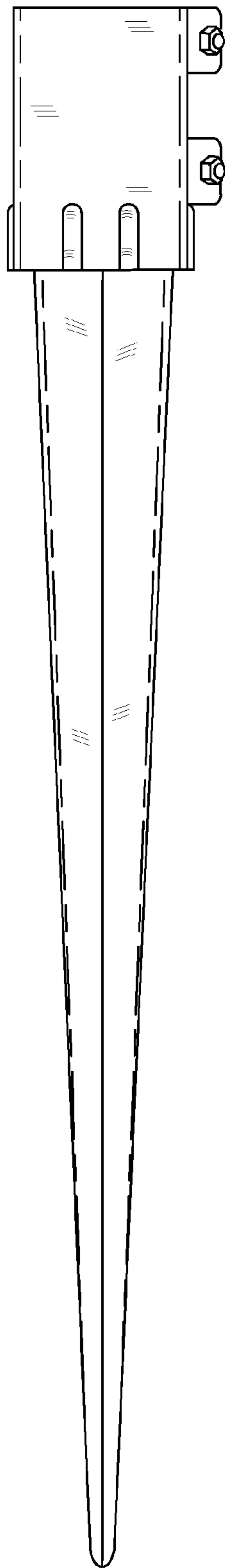


Fig. 4

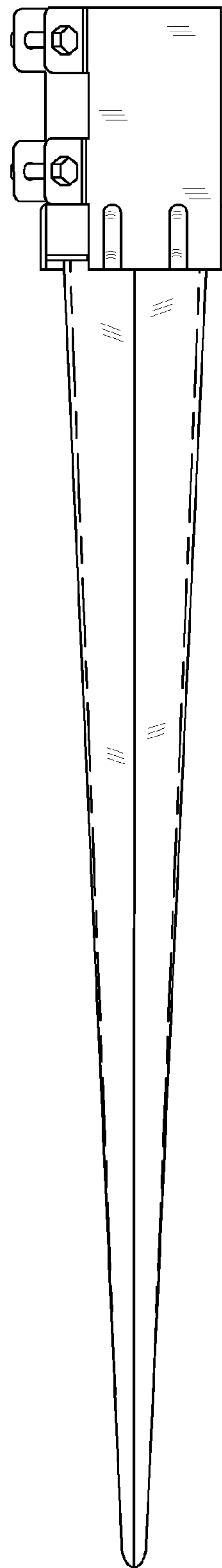


Fig. 5

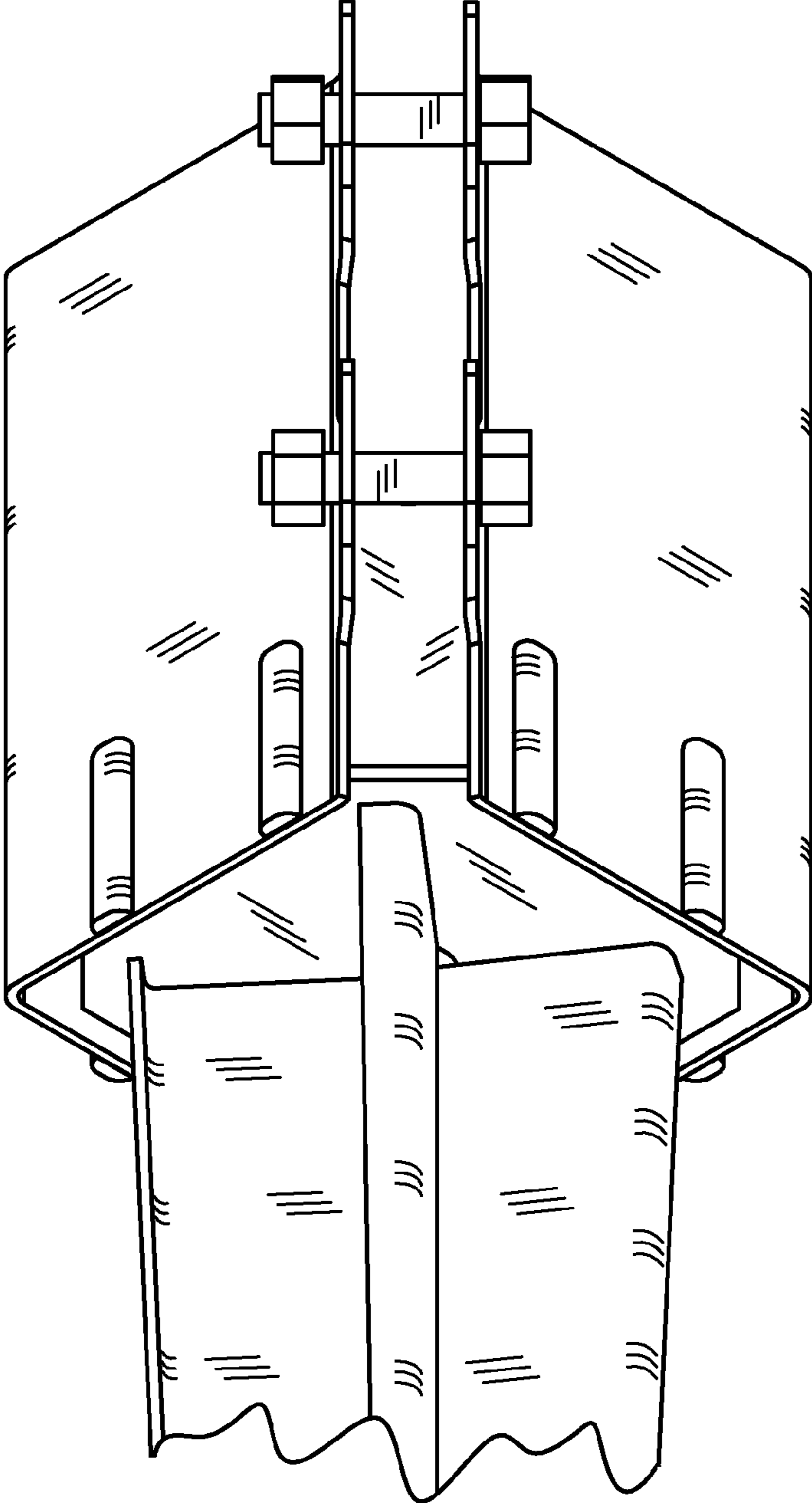


Fig. 6

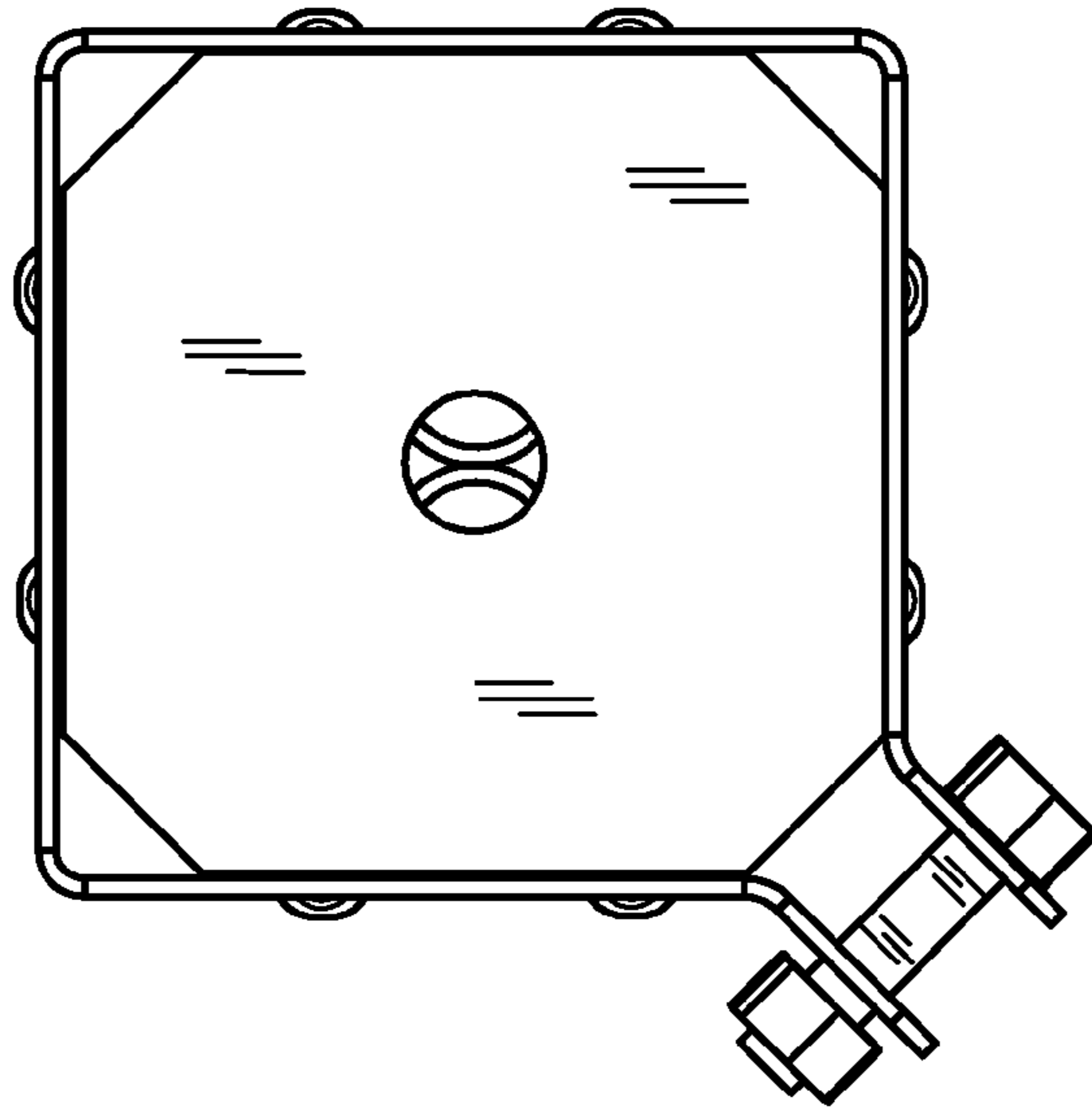


Fig. 7

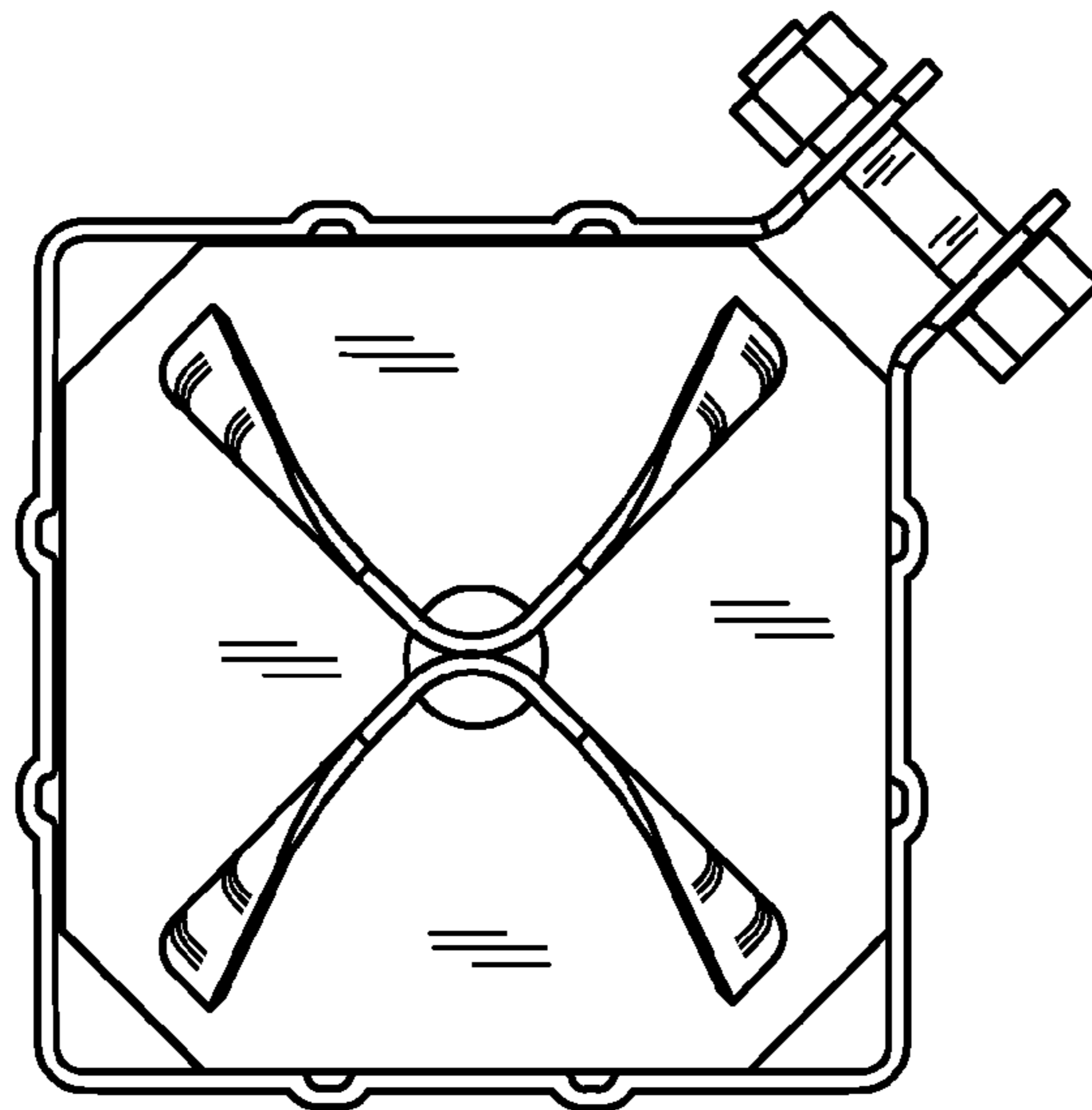


Fig. 8

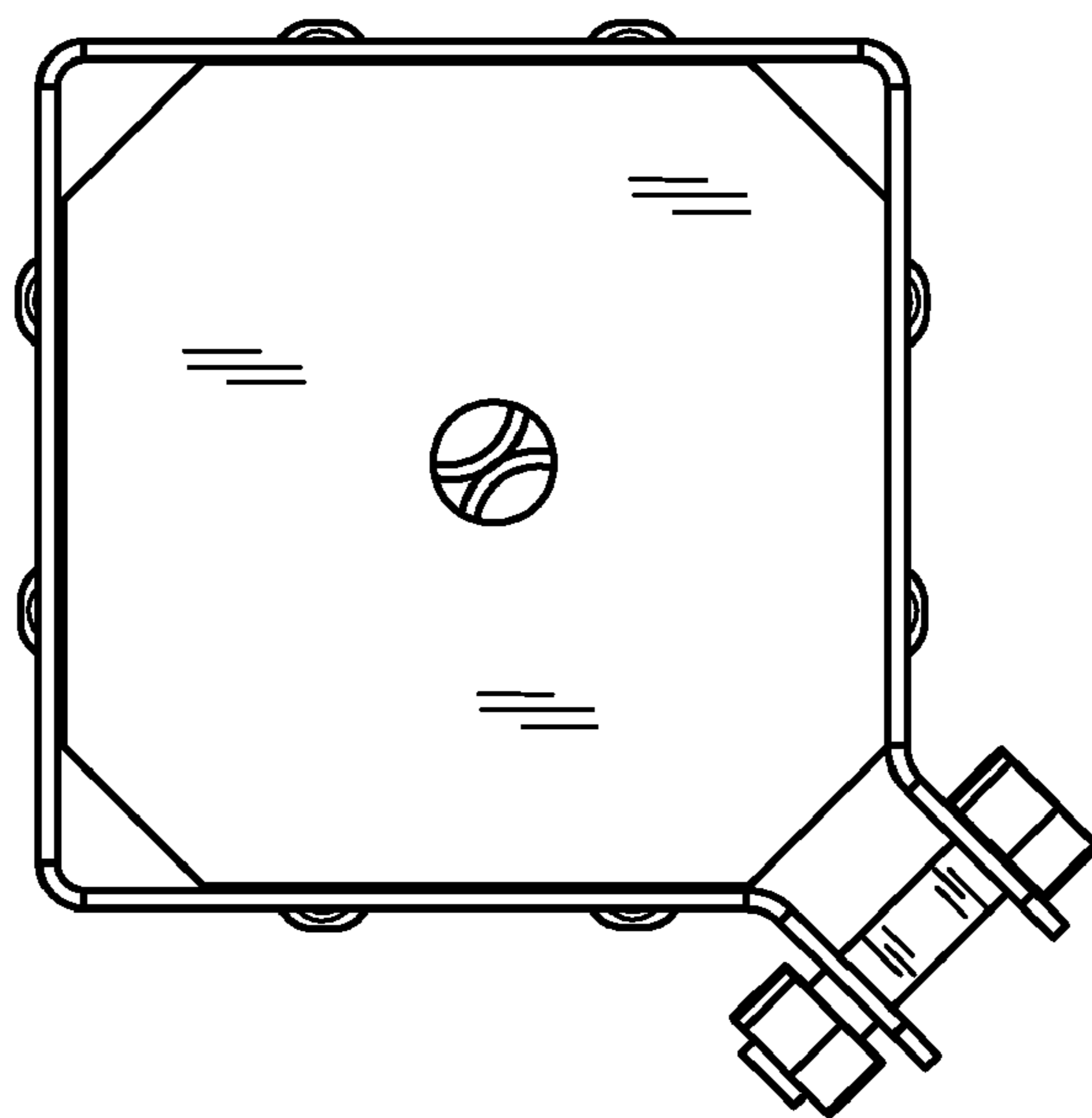


Fig. 9

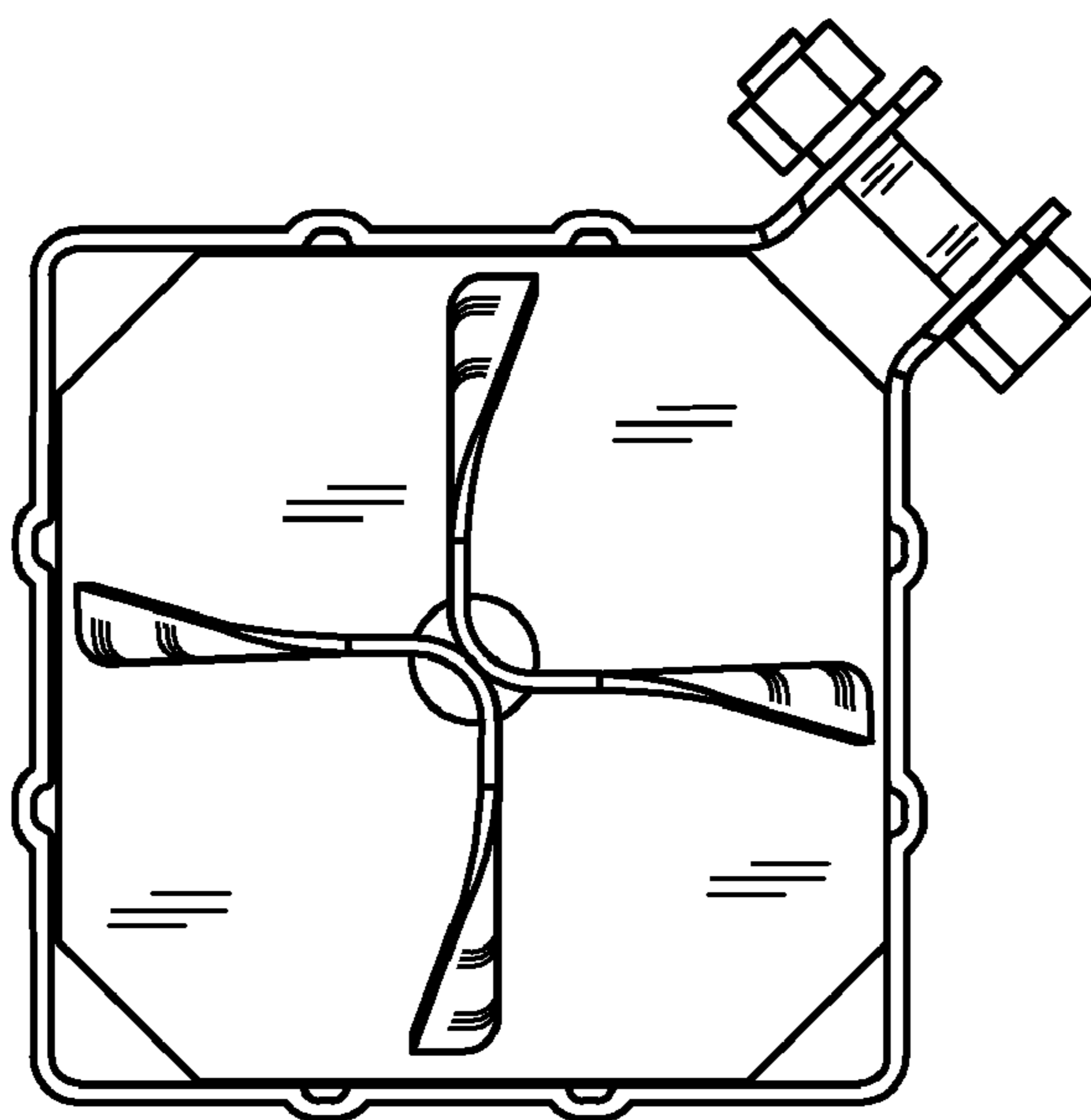


Fig. 10