



US00D572984S

(12) **United States Design Patent**  
**Jossem et al.**

(10) **Patent No.:** **US D572,984 S**

(45) **Date of Patent:** **\*\* Jul. 15, 2008**

(54) **SALAD SPINNER**

5,904,090 A \* 5/1999 Lillelund et al. .... 99/495  
6,622,618 B1 \* 9/2003 Glucksman et al. .... 99/495

(75) Inventors: **Adam A. Jossem**, Seattle, WA (US);  
**David A. Holcomb**, Seattle, WA (US)

\* cited by examiner

(73) Assignee: **Chef'n Corporation**, Seattle, WA (US)

*Primary Examiner*—Terry A Wallace

(74) *Attorney, Agent, or Firm*—Seed IP Law Group PLLC

(\*\*) Term: **14 Years**

(57) **CLAIM**

(21) Appl. No.: **29/282,964**

The ornamental design for a salad spinner, as shown and described.

(22) Filed: **Aug. 2, 2007**

(51) **LOC (8) Cl.** ..... **07-04**

(52) **U.S. Cl.** ..... **D7/665**

(58) **Field of Classification Search** ..... D7/665–668,  
D7/538–542, 629; 99/479, 495, 511–513;  
34/58; 210/360.1, 380.1; 241/166, 169  
See application file for complete search history.

**DESCRIPTION**

FIG. 1 is a perspective view of a salad spinner showing our new design.

FIG. 2 is a left side elevation view thereof.

FIG. 3 is a right side elevation view thereof.

FIG. 4 is a front elevation view thereof.

FIG. 5 is a rear elevation view thereof.

FIG. 6 is a top plan view thereof; and,

FIG. 7 is a bottom plan view thereof.

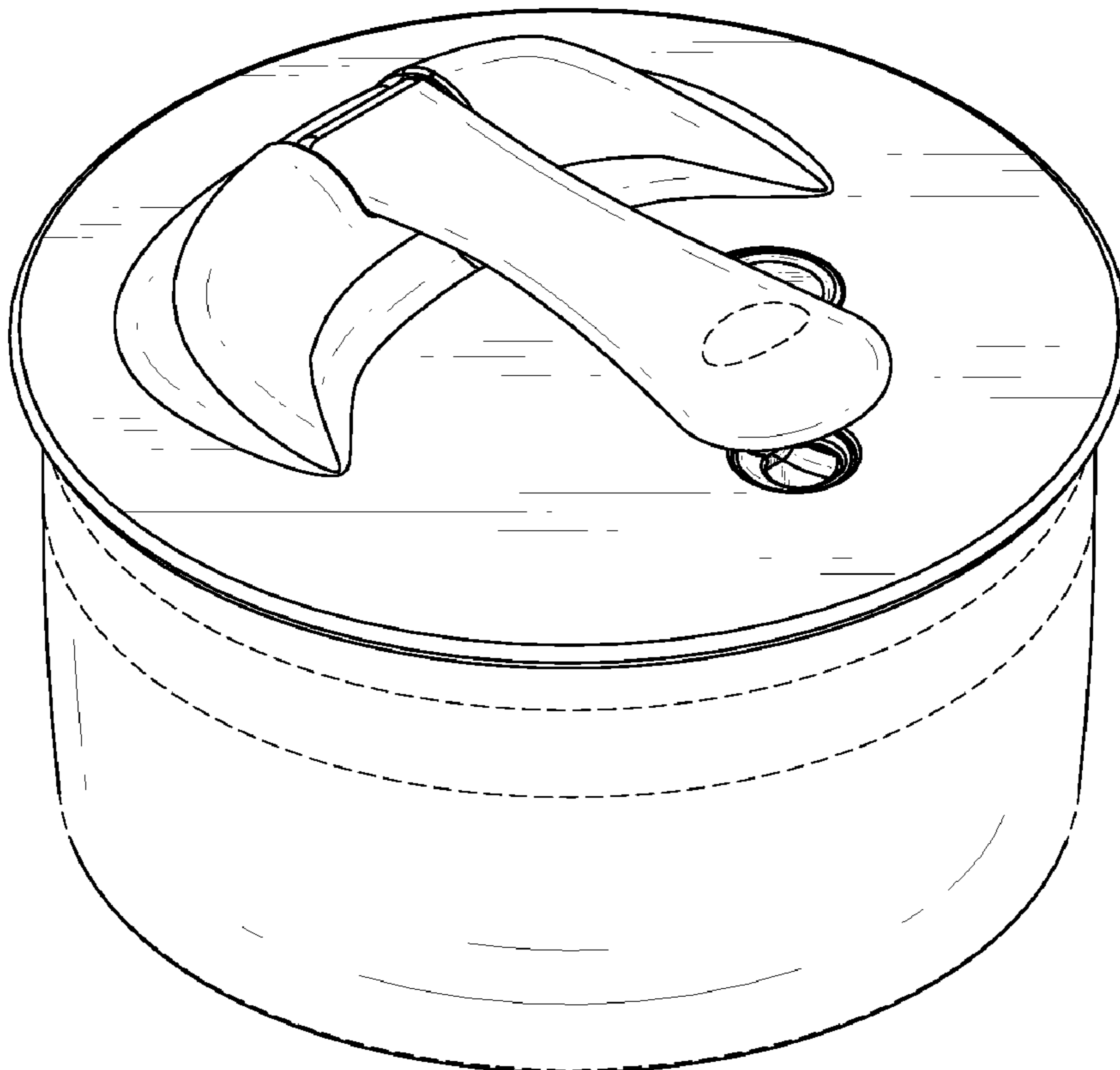
The broken lines in the figures are for illustrative purposes only and form no part of the claimed design.

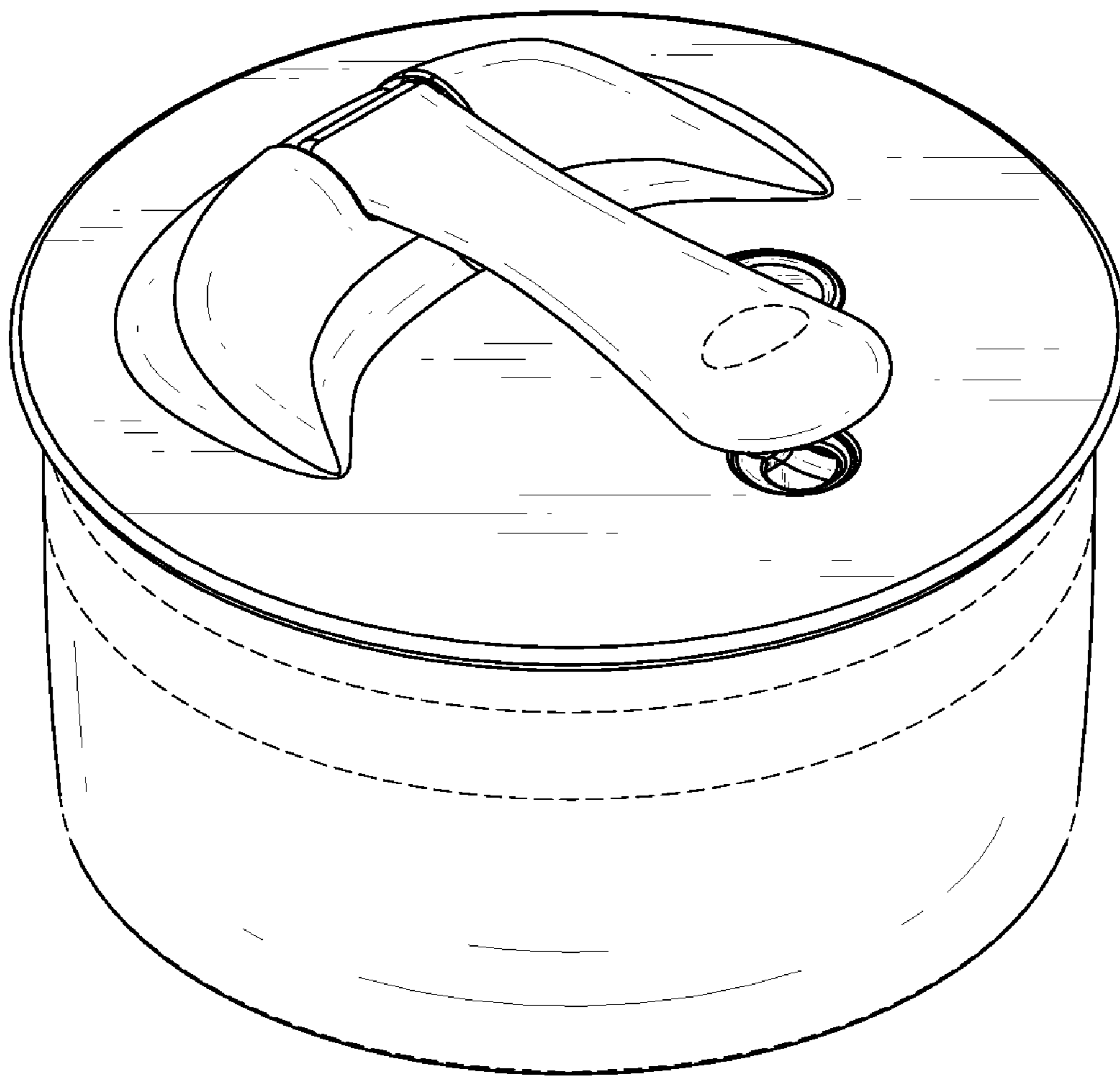
(56) **References Cited**

**U.S. PATENT DOCUMENTS**

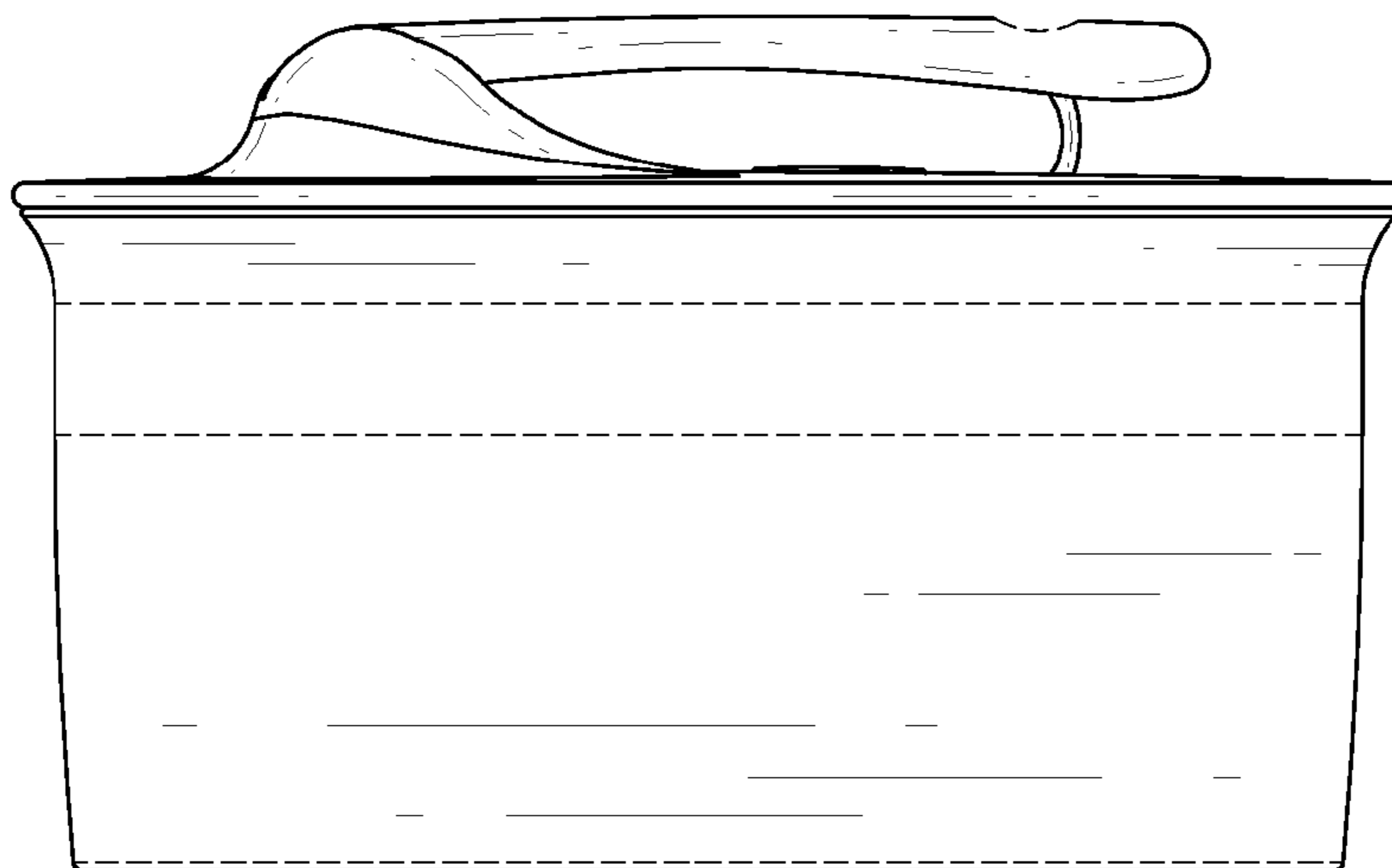
D257,203 S *	10/1980	Doyel .....	D7/665
D260,346 S *	8/1981	Lebowitz .....	D7/665
5,490,453 A *	2/1996	Mackay .....	99/495
5,490,454 A *	2/1996	Ancona et al. ....	99/510
5,562,025 A *	10/1996	Bull et al. ....	99/495
5,865,109 A *	2/1999	Bull .....	99/495

**1 Claim, 5 Drawing Sheets**

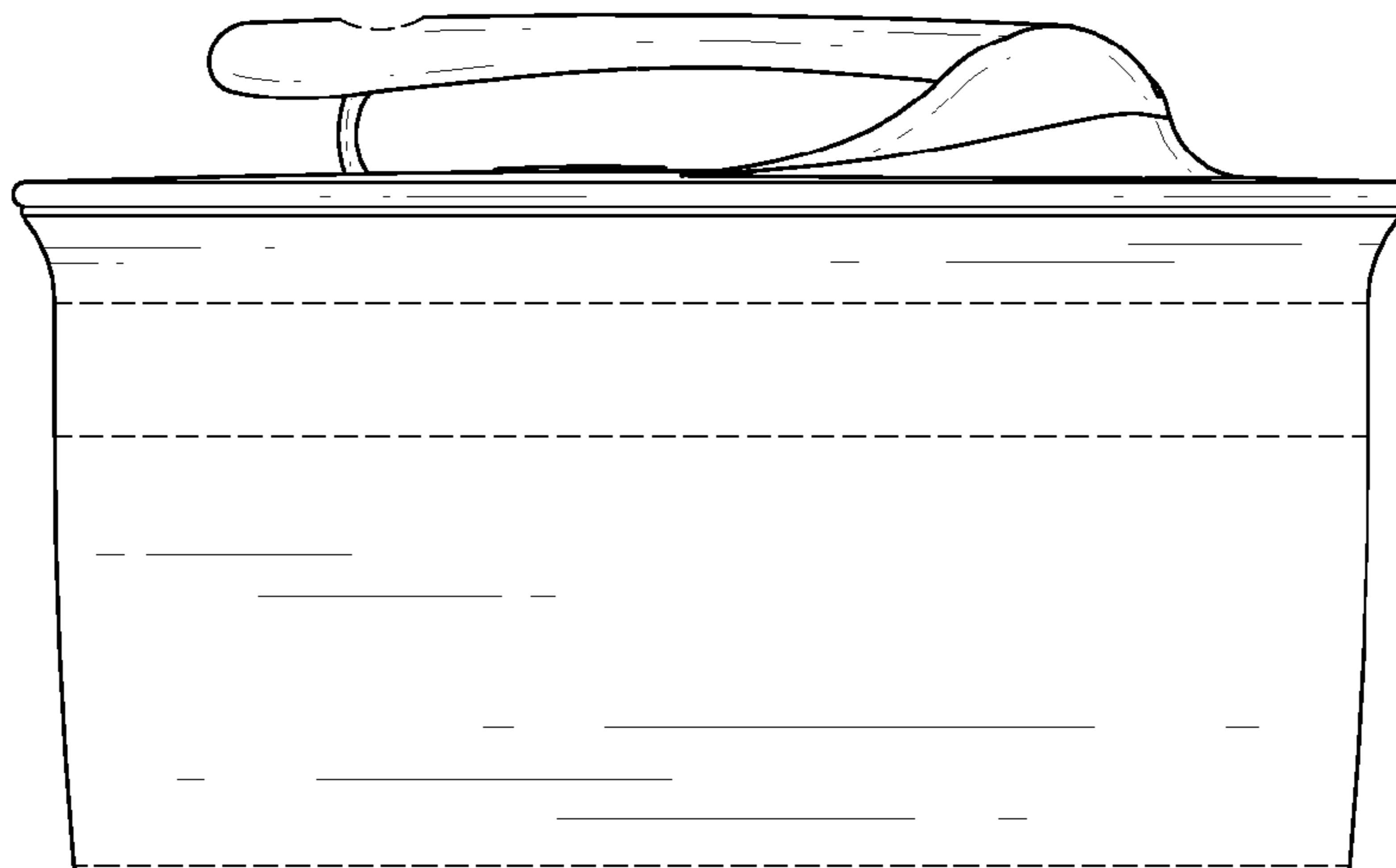




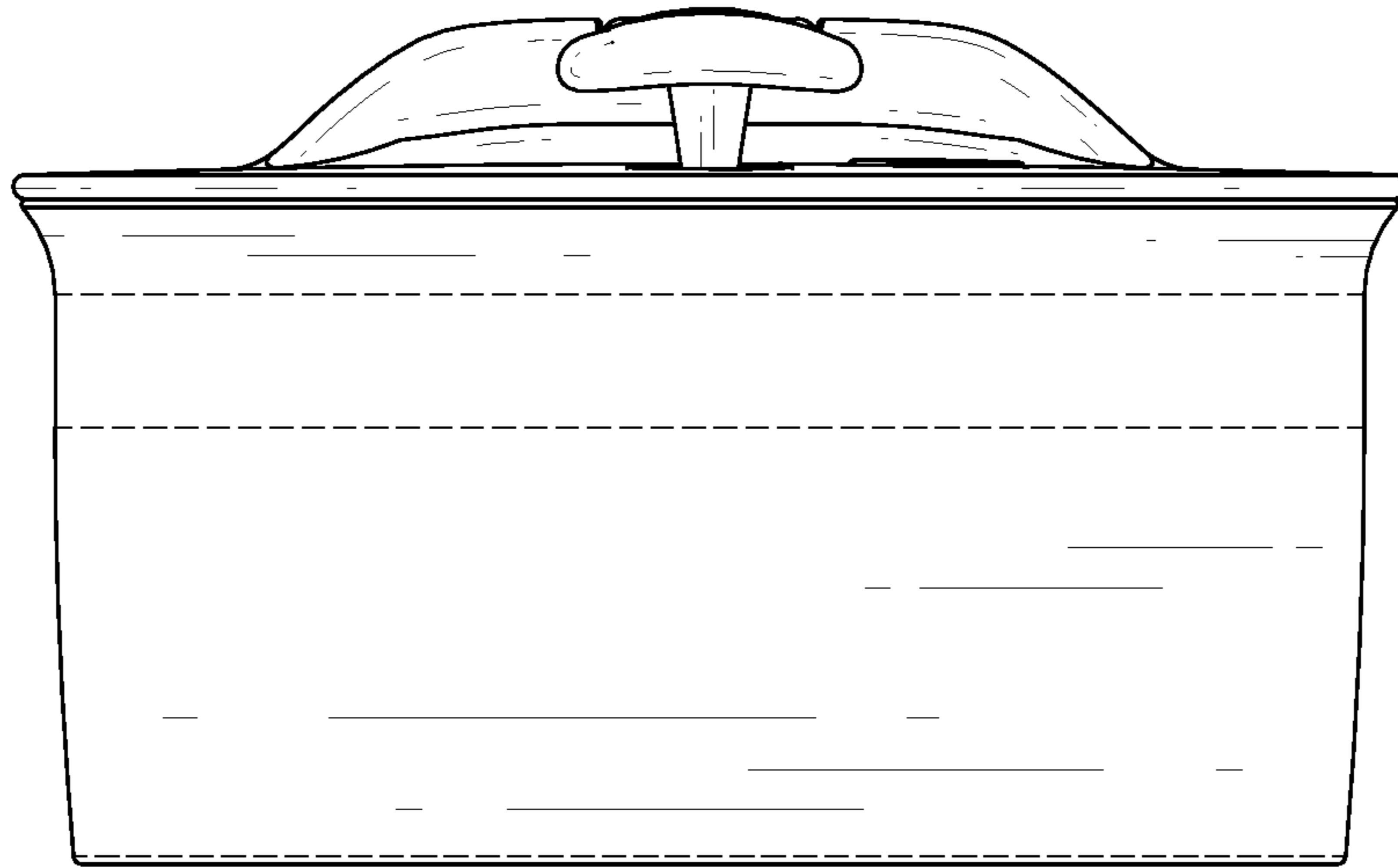
*FIG. 1*



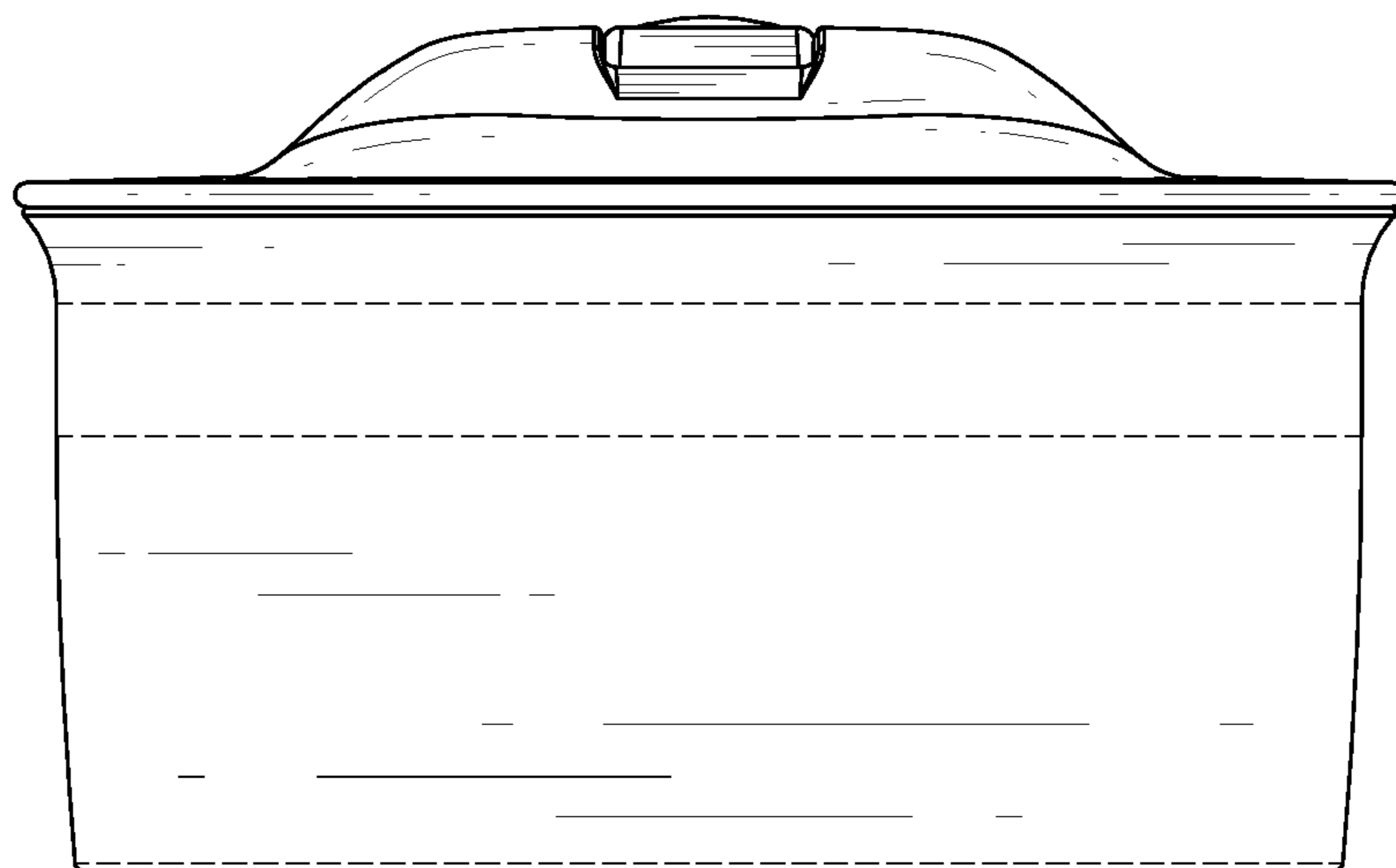
*FIG. 2*



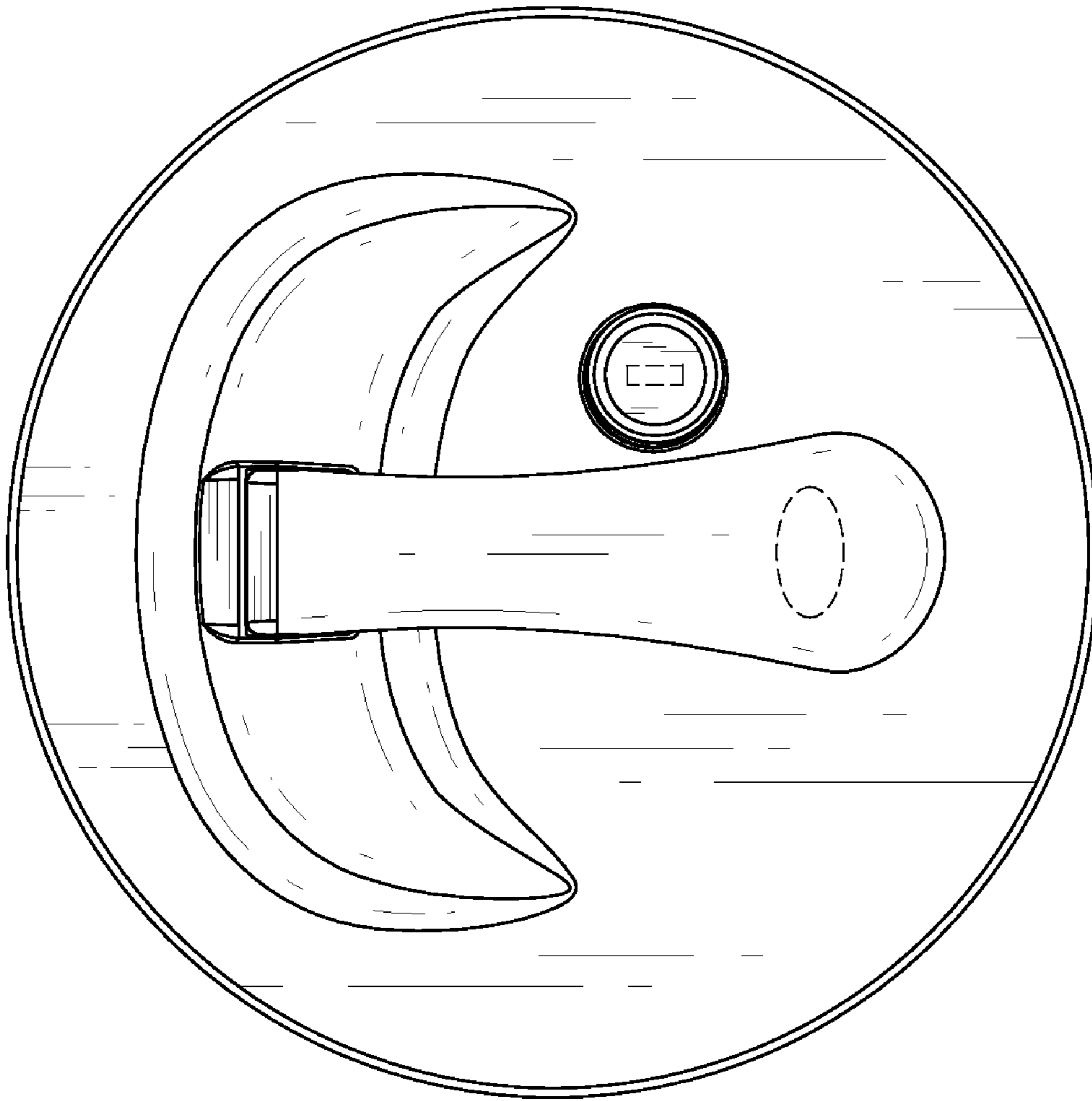
*FIG. 3*



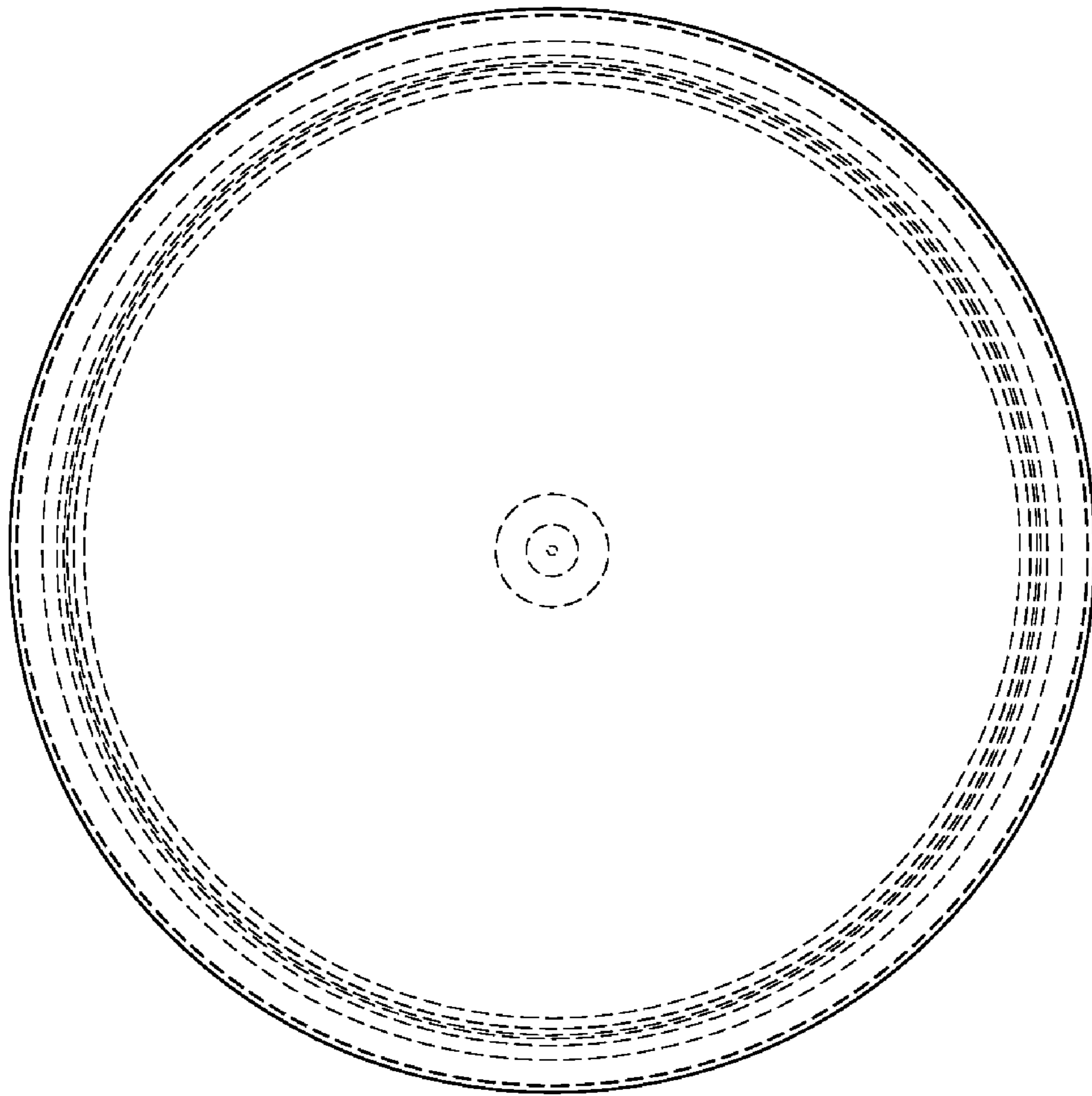
*FIG. 4*



*FIG. 5*



*FIG. 6*



*FIG. 7*