



US00D572981S

(12) **United States Design Patent**  
**Carreno**

(10) **Patent No.:** **US D572,981 S**  
(45) **Date of Patent:** **\*\* Jul. 15, 2008**

(54) **BOTTLE**

D502,846 S \* 3/2005 Matthews ..... D7/608

(75) Inventor: **Alfredo Carreno**, Aurora, IL (US)

\* cited by examiner

(73) Assignee: **Thermos L.L.C.**, Rolling Meadows, IL (US)

*Primary Examiner*—Philip Hyder

*Assistant Examiner*—Cynthia Underwood

(\*\*) Term: **14 Years**

(74) *Attorney, Agent, or Firm*—Wood, Phillips, Katz, Clark & Mortimer

(21) Appl. No.: **29/294,718**

(57) **CLAIM**

(22) Filed: **Jan. 24, 2008**

The ornamental design for a bottle, as shown and described.

(51) **LOC (8) Cl.** ..... **07-01**

**DESCRIPTION**

(52) **U.S. Cl.** ..... **D7/608; D7/605; D7/510**

FIG. 1 is a perspective view from above and to the right of the bottle;

(58) **Field of Classification Search** ..... D7/509–511,  
D7/533, 536, 608, 317, 319; D9/716, 715,  
D9/443; 215/13.1; 220/62.12, 592.16, 592.17,  
220/592.2

FIG. 2 is a perspective view from below and to the left of the bottle;

See application file for complete search history.

FIG. 3 is a front elevation view of the bottle;

FIG. 4 is a back elevation view of the bottle;

(56) **References Cited**

**U.S. PATENT DOCUMENTS**

D222,521 S *	10/1971	Johnson	.....	D7/608
D295,355 S *	4/1988	Leung	.....	D7/608
D411,717 S *	6/1999	Moran	.....	D7/608
D425,374 S *	5/2000	Besser et al.	.....	D7/608
D429,118 S *	8/2000	Hurlbut	.....	D7/608
D450,982 S *	11/2001	Gaze et al.	.....	D7/608
D476,859 S *	7/2003	Short	.....	D7/608

FIG. 5 is a left side view of the bottle, with the left side view;

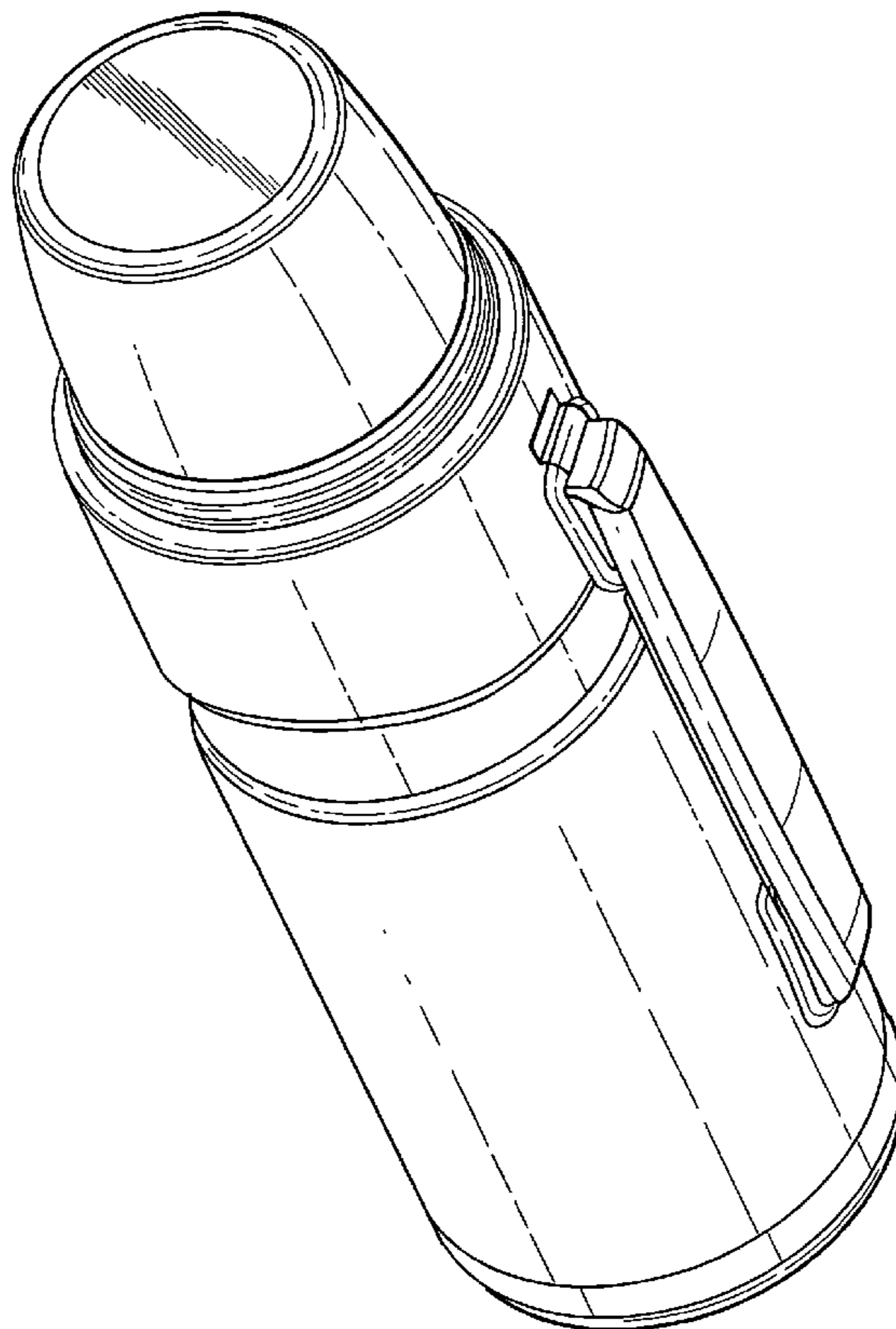
FIG. 6 is a right side view of the bottle;

FIG. 7 is a top plan view of the bottle; and,

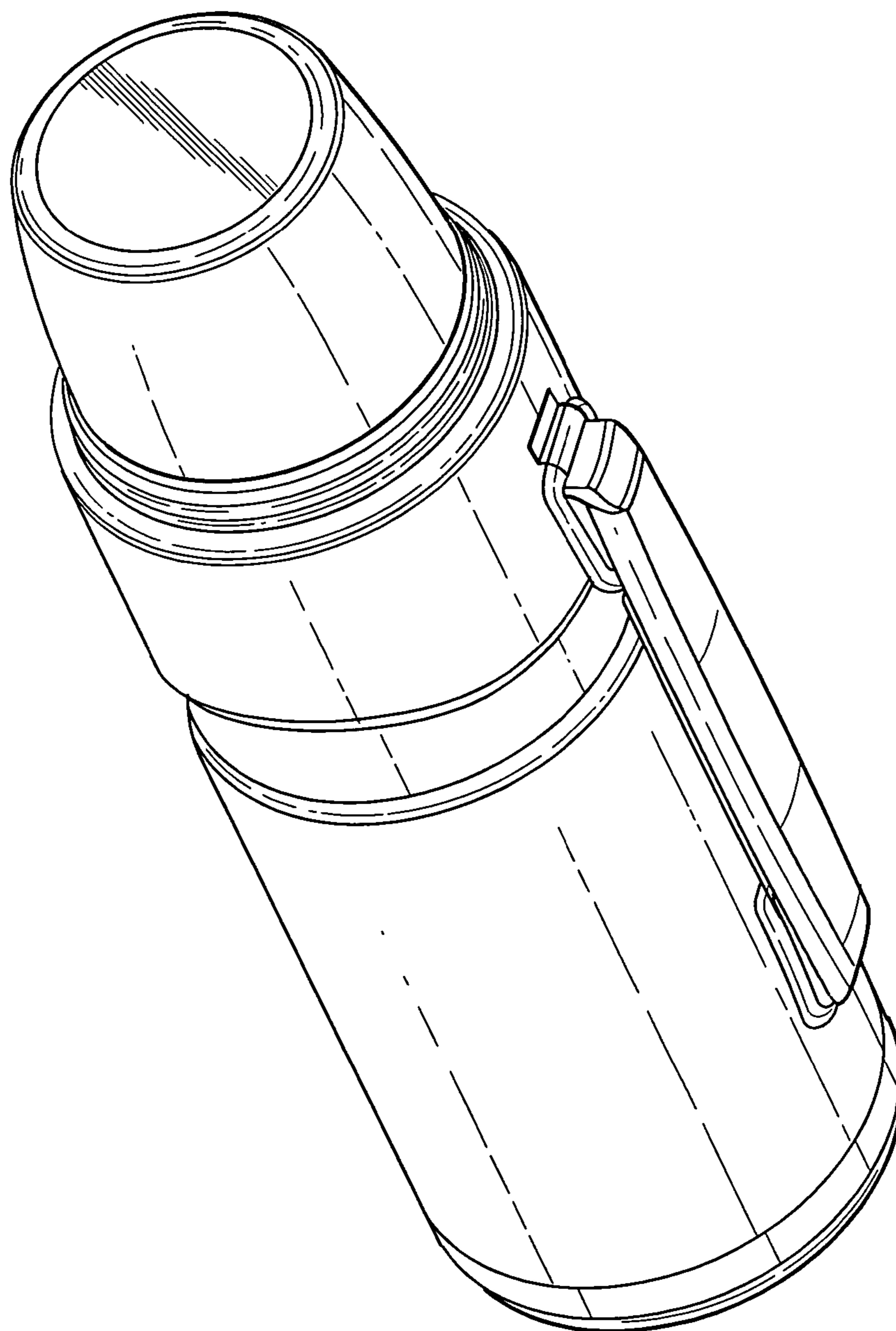
FIG. 8 is a bottom view of the bottle.

It is to be understood that the broken lines are for illustrative purposes only and form no part of the claimed design.

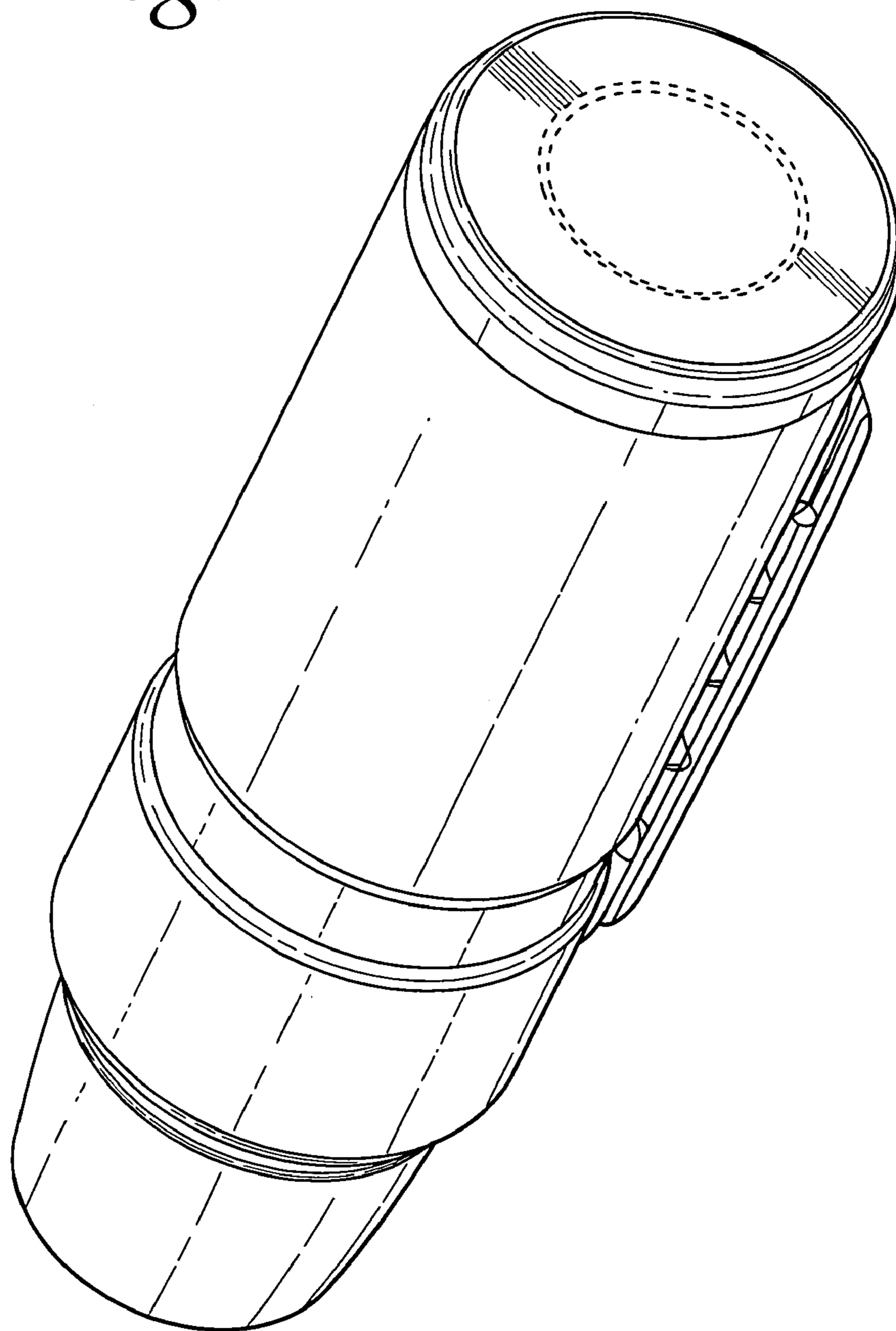
**1 Claim, 5 Drawing Sheets**



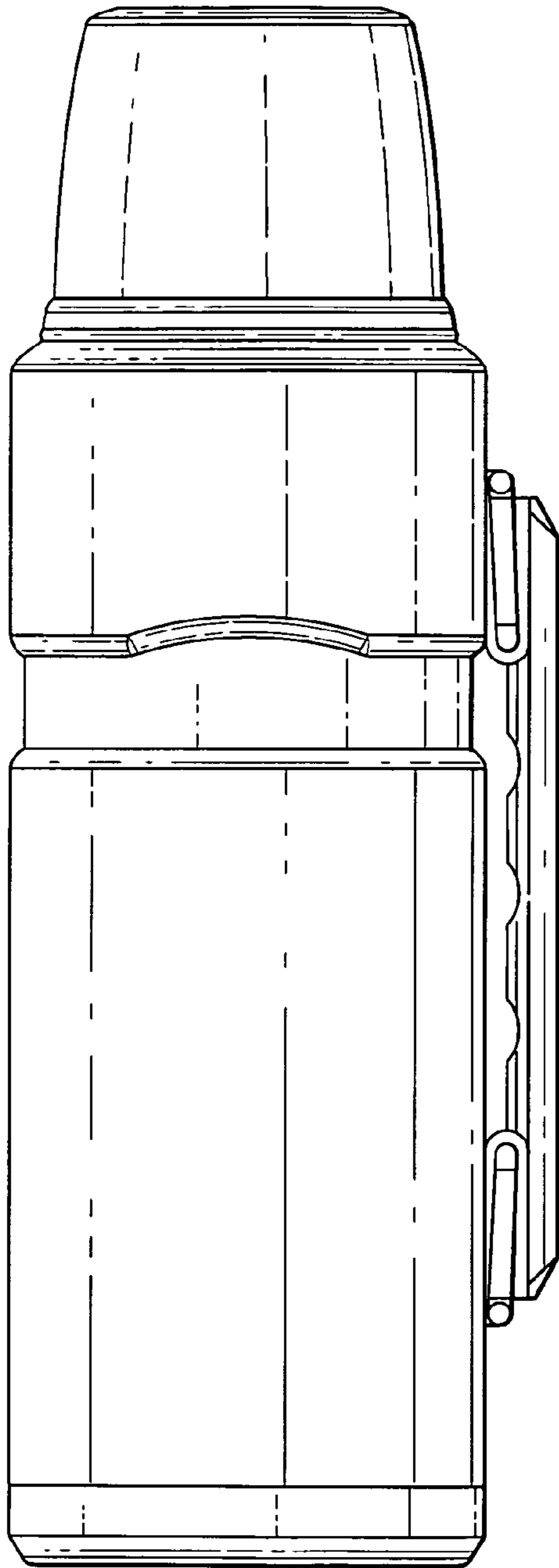
*Fig. 1*



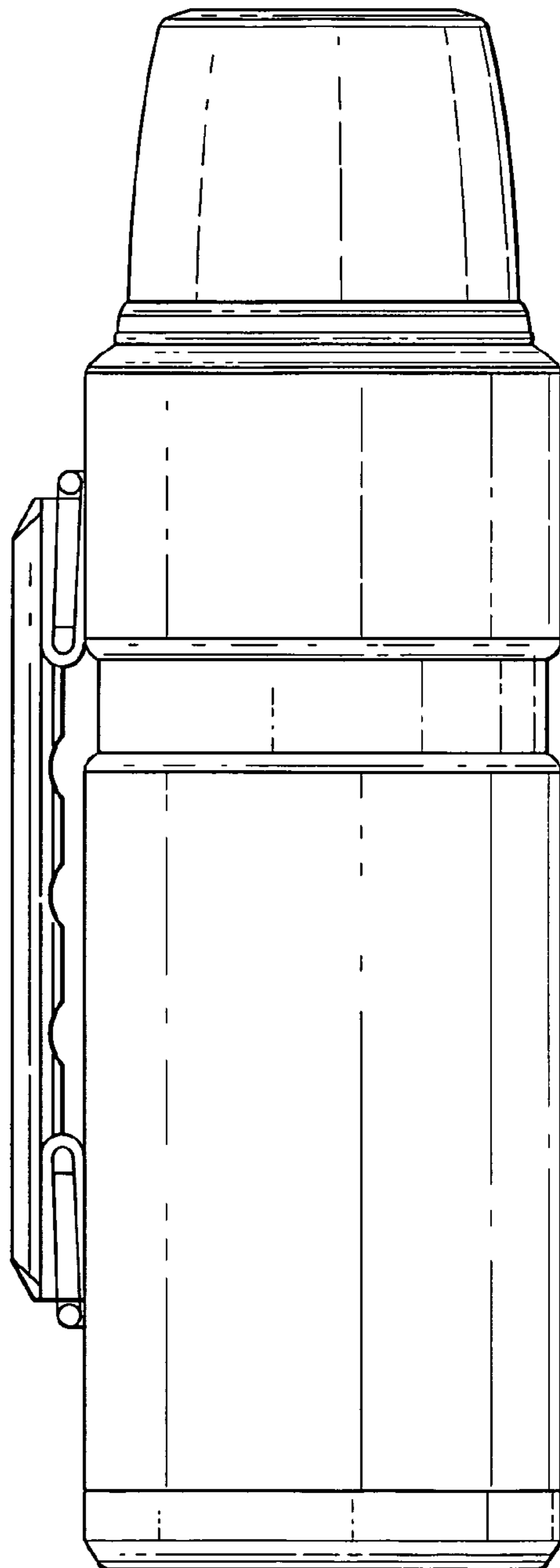
*Fig. 2*



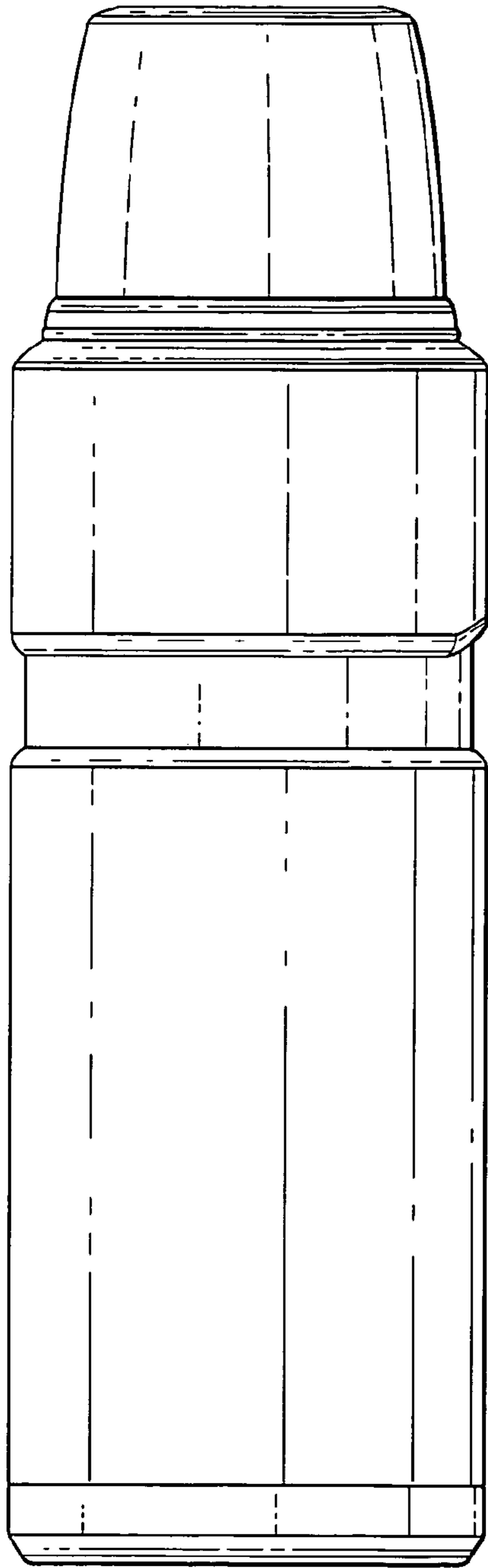
*Fig. 3*



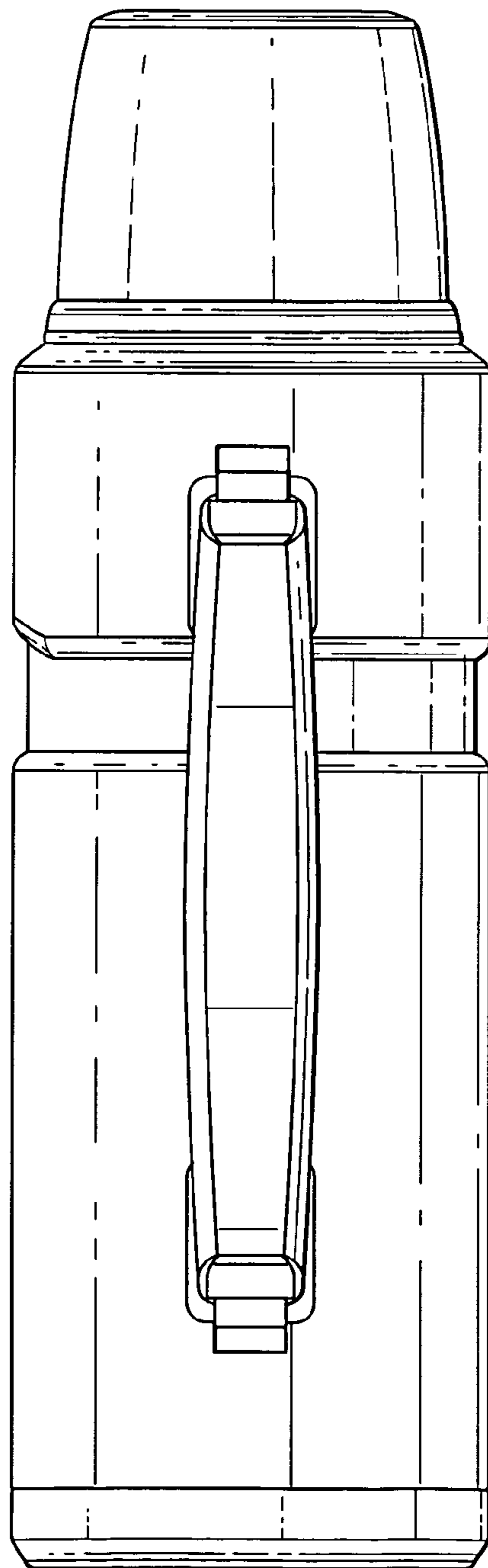
*Fig. 4*



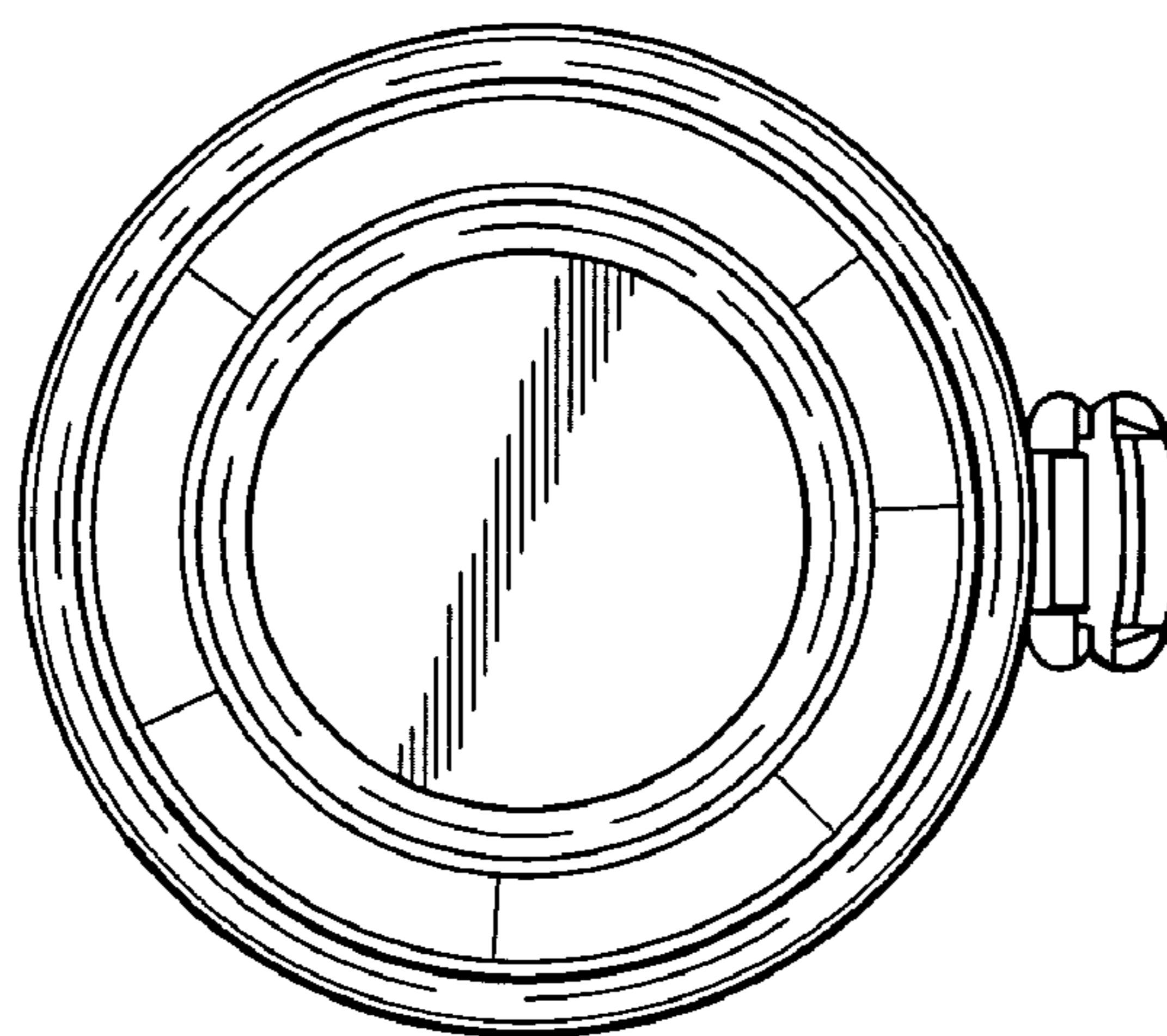
*Fig. 5*



*Fig. 6*



*Fig. 7*



*Fig. 8*

