

US00D572980S

(12) **United States Design Patent**
Griffard

(10) **Patent No.:** **US D572,980 S**
(45) **Date of Patent:** **** Jul. 15, 2008**

(54) **COOLER HAVING A TOOLBOX DESIGN**

(76) Inventor: **John D. Griffard**, 1022 Koch's La.,
Quincy, IL (US) 62305

(**) Term: **14 Years**

(21) Appl. No.: **29/289,424**

(22) Filed: **Jul. 19, 2007**

(51) **LOC (8) Cl.** **07-01**

(52) **U.S. Cl.** **D7/606; D7/607**

(58) **Field of Classification Search** D7/605-608,
D7/629, 709, 710, 628; 383/38, 109, 110,
383/113; 62/457.1-457.9, 371, 372; 206/541,
206/546, 548, 549; D3/273, 276, 283, 284,
D3/285, 287, 289, 290, 291; 220/915.1,
220/915.2, 592.01, 592.03, 592.09, 592.16,
220/592.2

See application file for complete search history.

(56) **References Cited**

U.S. PATENT DOCUMENTS

D314,276 S * 2/1991 Nordstrom D3/287

5,005,679 A * 4/1991 Hjelle 206/545
D387,626 S * 12/1997 Melk D7/605
6,234,677 B1 * 5/2001 Mogil 383/110
D530,088 S * 10/2006 Kokawa D3/283
D560,450 S * 1/2008 Tagliati et al. D7/709

* cited by examiner

Primary Examiner—Terry A Wallace

(57) **CLAIM**

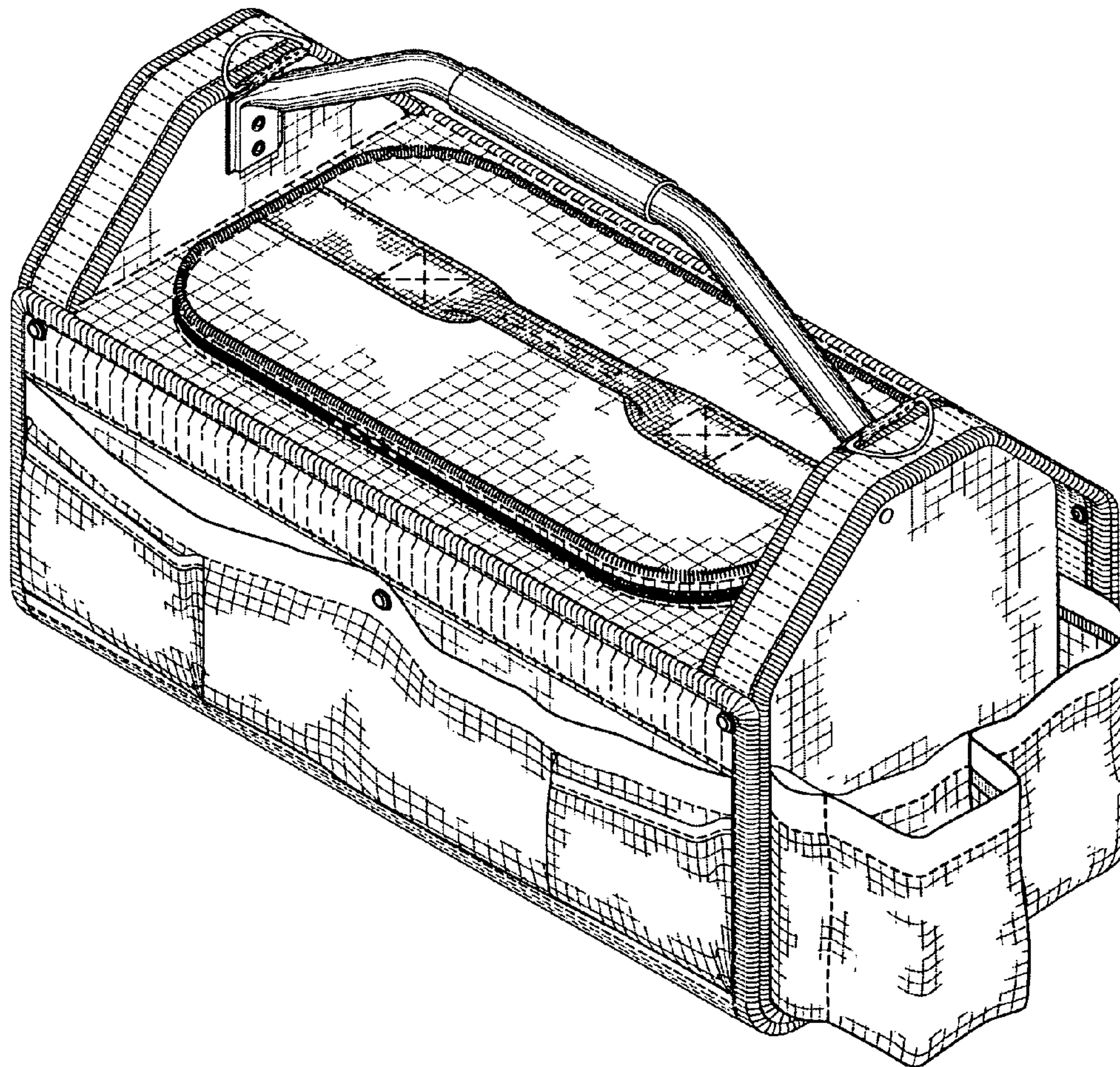
I claim the ornamental design for a cooler having a toolbox design, as shown.

DESCRIPTION

FIG. 1 is perspective view showing the top, front and right sides of a cooler having a toolbox design illustrating my new design; and,

FIG. 2 is perspective view showing the top, rear and left sides of the cooler having a toolbox design.

1 Claim, 2 Drawing Sheets



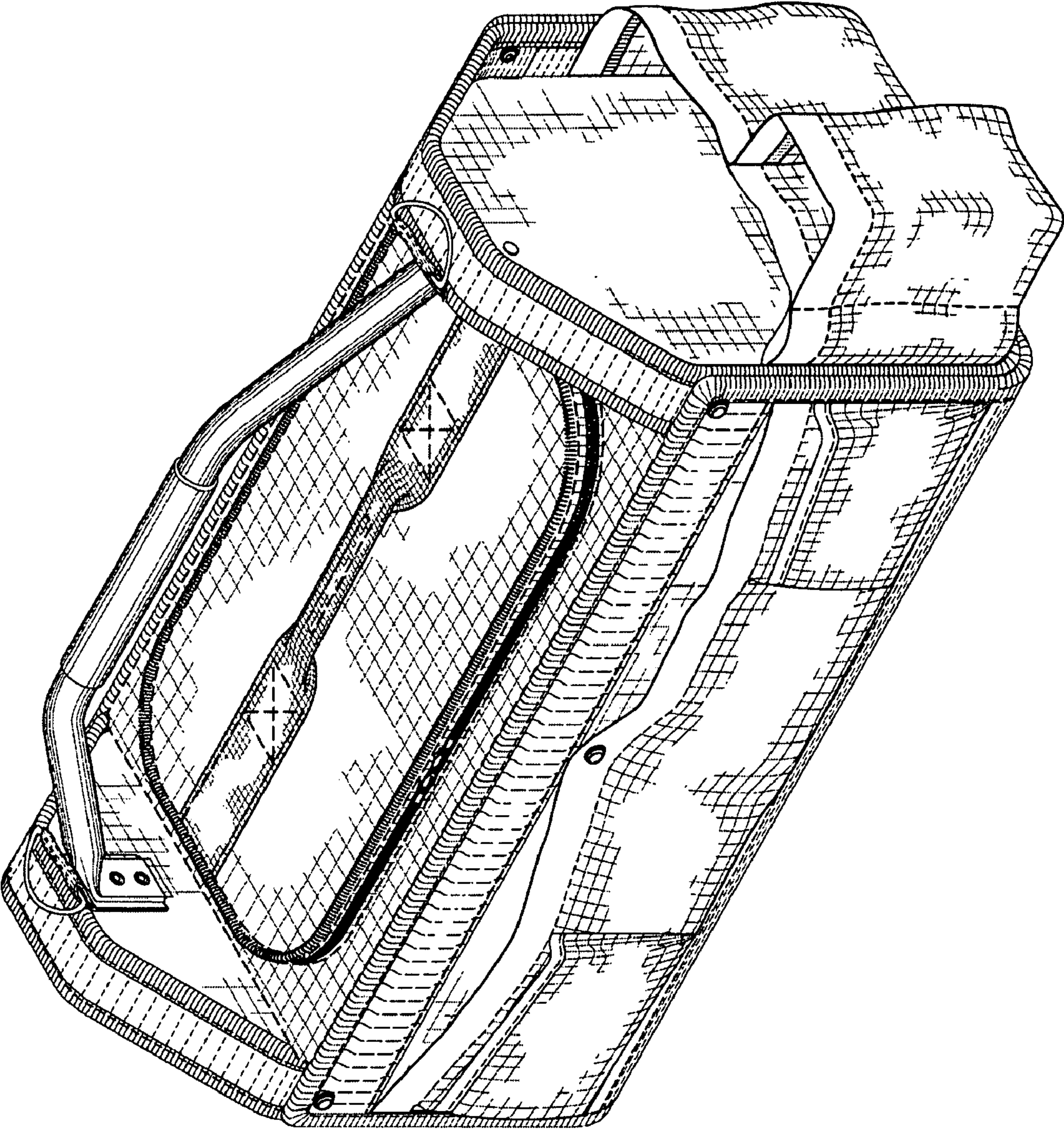


FIG. 1

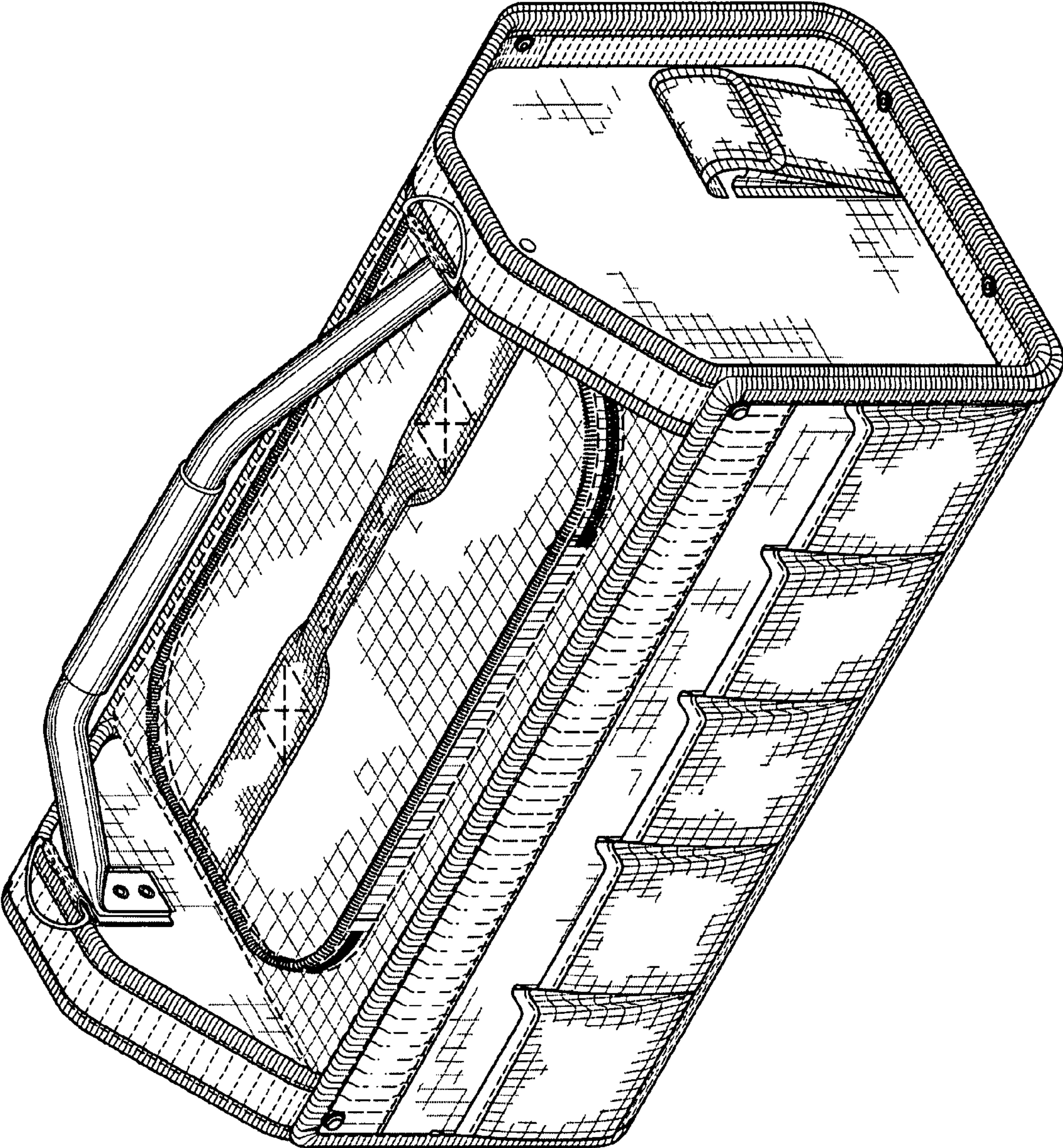


FIG. 2