



US00D572979S

(12) **United States Design Patent**  
**Delbaere**

(10) **Patent No.:** **US D572,979 S**  
(45) **Date of Patent:** **\*\* Jul. 15, 2008**

(54) **BOWL**  
(75) Inventor: **Michel Delbaere**, Ooigem-Wielsbeke (BE)  
(73) Assignee: **Crop's N.V.**, Ooigem-Wielsbeke (BE)  
(\*\*) Term: **14 Years**  
(21) Appl. No.: **29/255,780**  
(22) Filed: **Mar. 10, 2006**

D495,562 S \* 9/2004 Lee ..... D7/554.2  
D508,822 S \* 8/2005 Smith et al. .... D7/545  
D512,278 S \* 12/2005 Schultz et al. .... D7/629  
D527,584 S \* 9/2006 Hayes et al. .... D7/570  
D529,797 S \* 10/2006 Wilcox et al. .... D9/428

**FOREIGN PATENT DOCUMENTS**

GB 1021028 \* 12/1984

\* cited by examiner

*Primary Examiner*—Charles A. Rademaker  
*Assistant Examiner*—Charles D Hanson  
(74) *Attorney, Agent, or Firm*—James Creighton Wray;  
Clifford D. Hyra

(51) **LOC (8) Cl.** ..... **07-01**  
(52) **U.S. Cl.** ..... **D7/545**  
(58) **Field of Classification Search** ..... D7/542,  
D7/545, 550.1, 552.1, 553.1, 553.6, 554.2,  
D7/555, 669, 682, 683, 686, 688, 354, 356,  
D7/360, 376, 380, 553.4, 553.7, 642, 566,  
D7/570, 505, 551.1, 584, 629; 220/904,  
220/23.83, 574, 212, 657, 659, 755, 771,  
220/608; 206/821, 822; D9/414, 424, 425,  
D9/428, 429, 431; 219/733

See application file for complete search history.

(56) **References Cited**

**U.S. PATENT DOCUMENTS**

D185,064 S \* 5/1959 Lancaster ..... D7/542  
D248,076 S \* 6/1978 Christian ..... D7/545  
4,532,397 A \* 7/1985 McClelland ..... 219/733  
D281,480 S \* 11/1985 McClelland ..... D7/356  
D288,050 S \* 2/1987 Fox et al. .... D7/545  
D296,640 S \* 7/1988 Miller ..... D7/545  
D302,774 S \* 8/1989 Murphy ..... D7/629  
D319,978 S \* 9/1991 Wolff ..... D9/431

(57) **CLAIM**

The ornamental design for a bowl, as shown and described.

**DESCRIPTION**

FIG. 1 is a top view of the bowl showing my new design.  
FIG. 2 is a right side view thereof;  
FIG. 3 is an end view thereof;  
FIG. 4 is a cross section view taken along line 4—4 of FIG. 1;  
FIG. 5 is an enlarged view taken along lines 5—5 and 5'—5'  
of FIG. 4; and,  
FIG. 6 is an enlarged view thereof, showing a stacking con-  
figuration.  
The broken line showing in FIG. 6 is included for the purpose  
of illustrating environmental structure and forms no part of  
the claimed design.

**1 Claim, 2 Drawing Sheets**

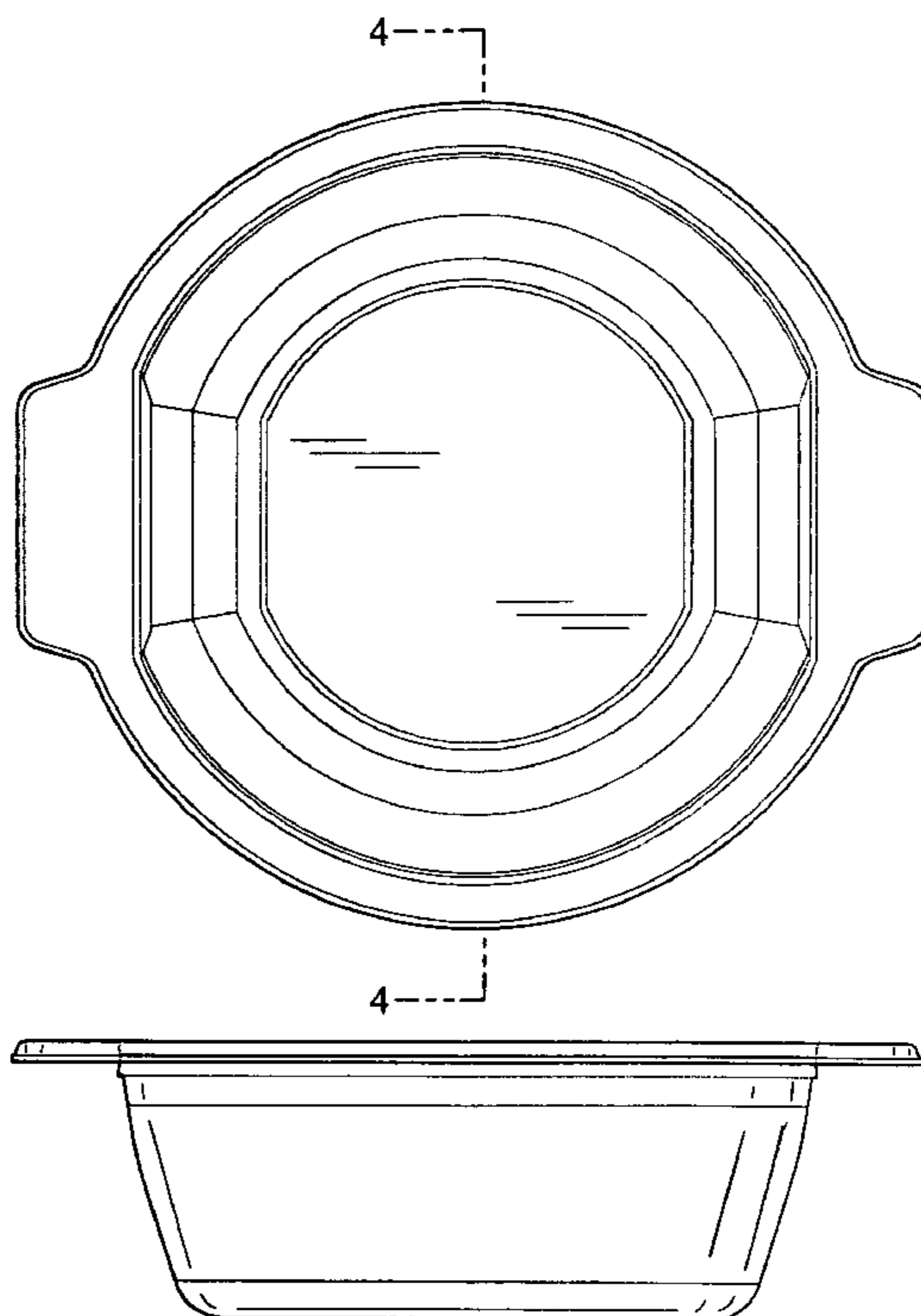


FIG. 1

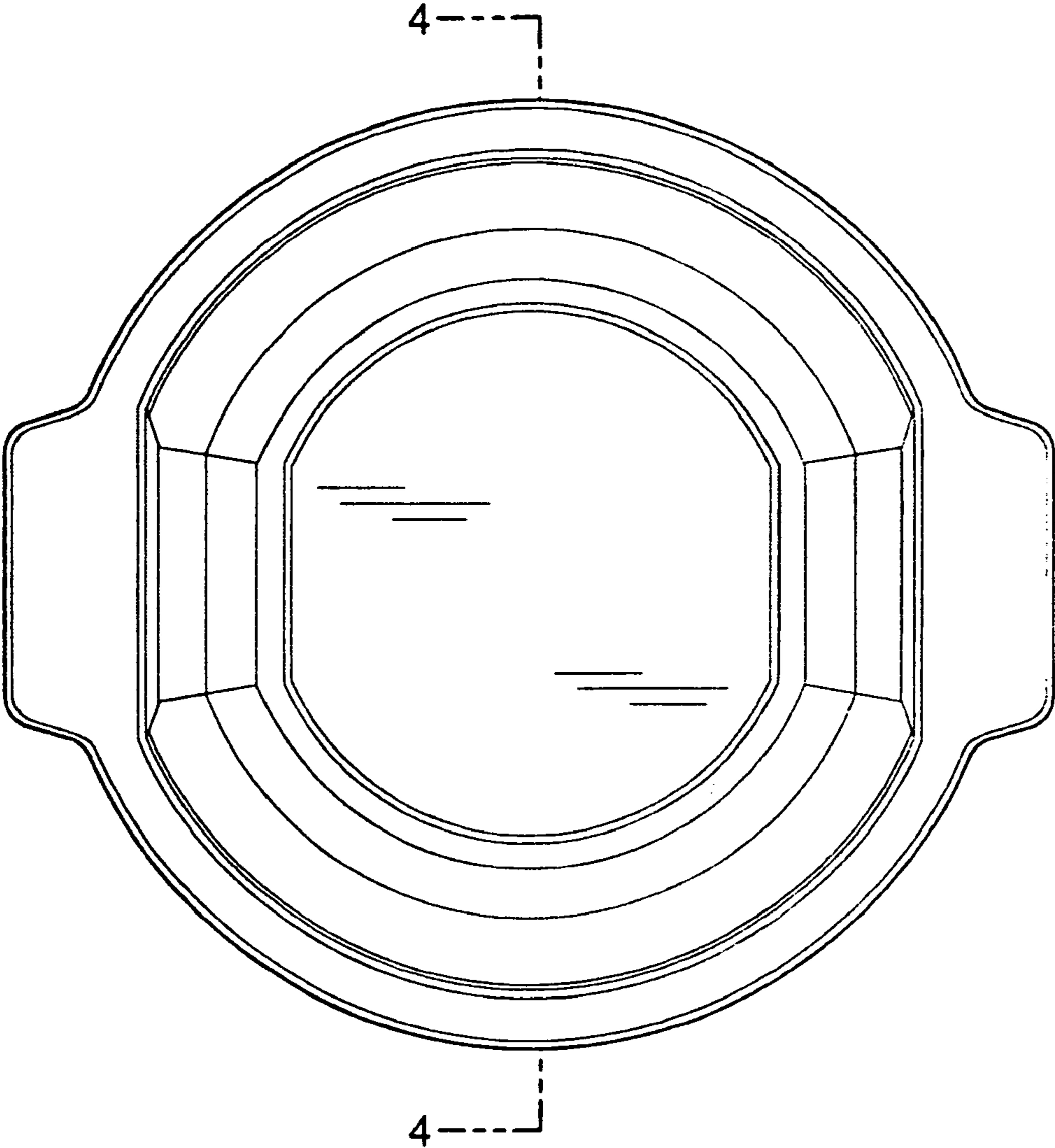


FIG. 2

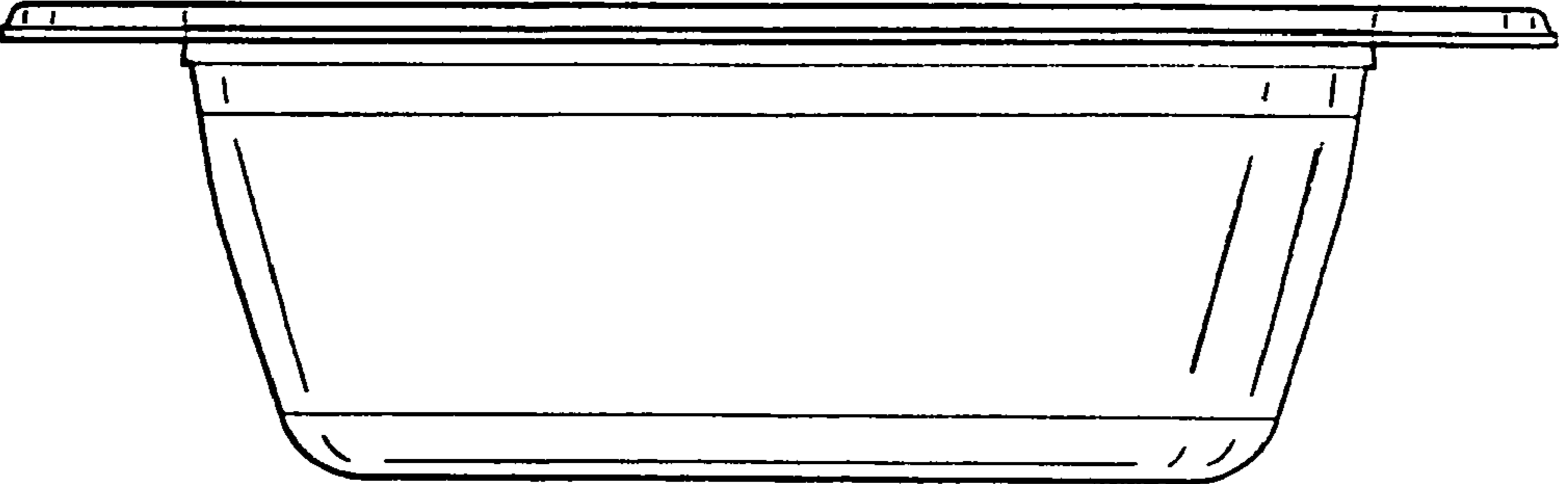


FIG. 3

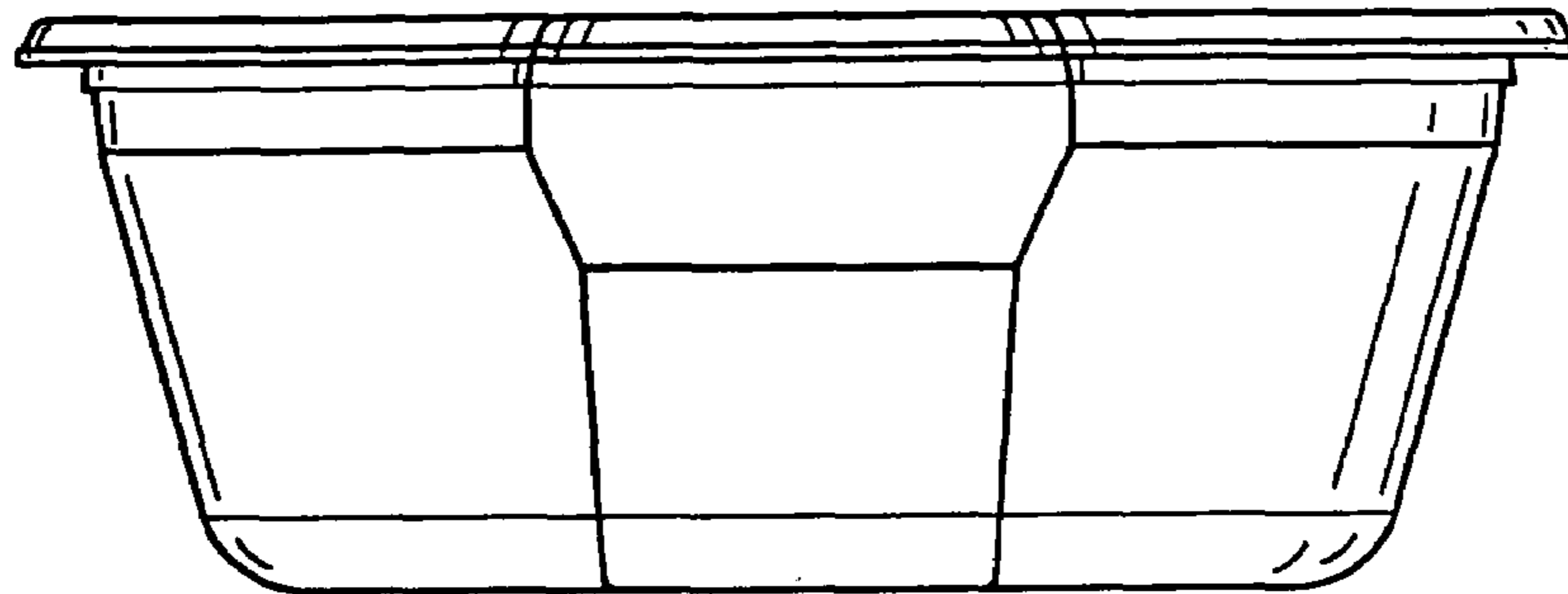


FIG. 4

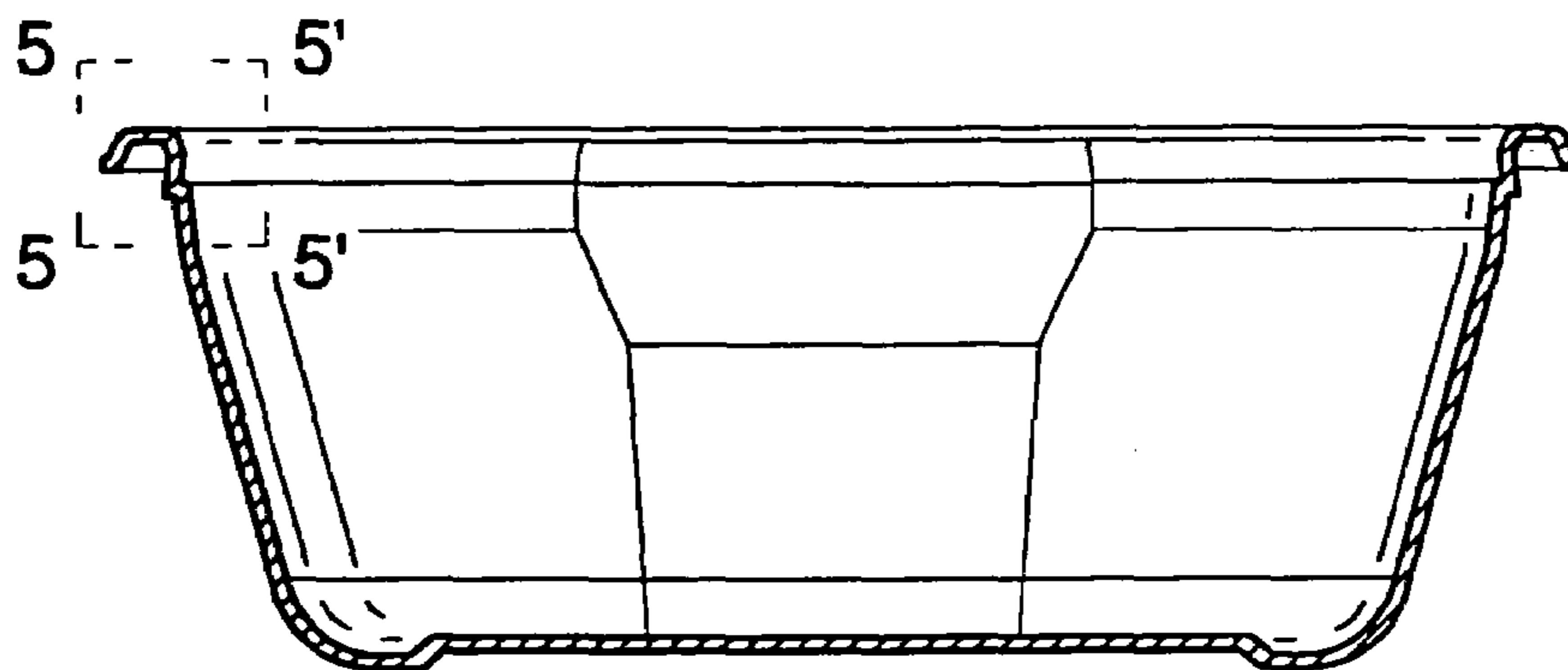


FIG. 5

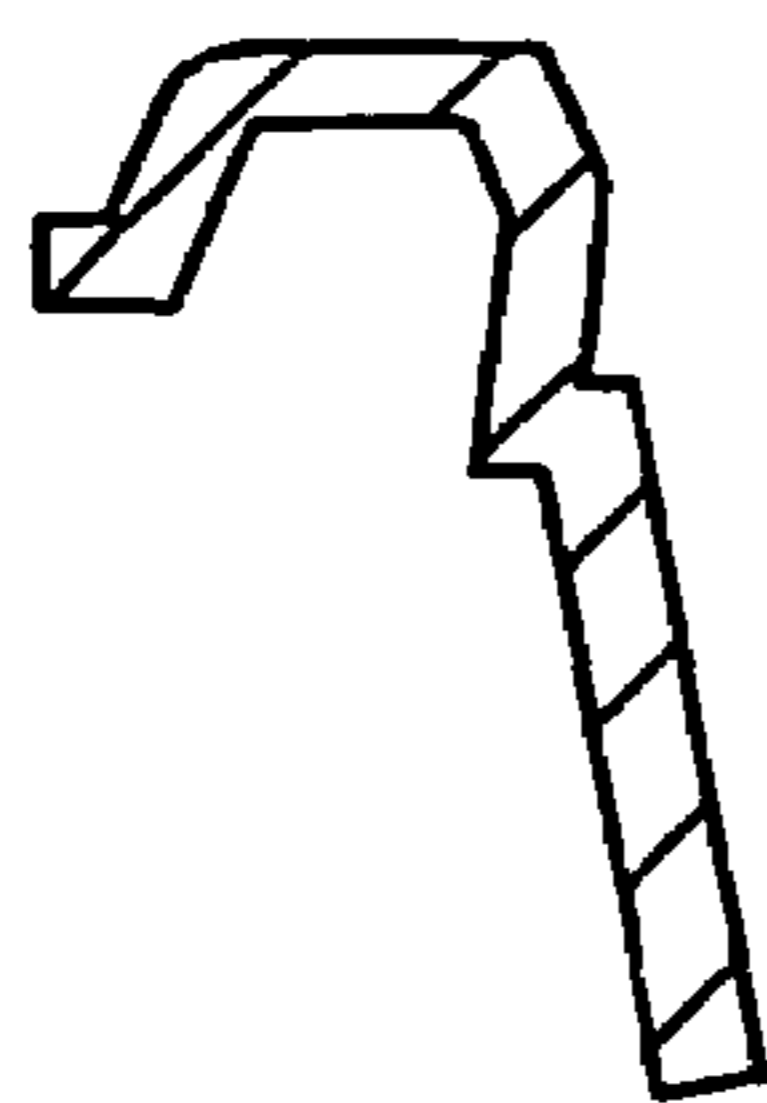


FIG. 6

