



US00D572976S

(12) **United States Design Patent**
Mansfield

(10) **Patent No.:** **US D572,976 S**
(45) **Date of Patent:** **** Jul. 15, 2008**

(54) **DRINKING VESSEL**

(57) **CLAIM**

(76) Inventor: **Bryan D. Mansfield**, 9020 Ogleby
Creek Rd., Myakka City, FL (US) 34251

I claim the ornamental design for a drinking vessel, as shown
and described.

(**) Term: **14 Years**

(21) Appl. No.: **29/278,378**

DESCRIPTION

(22) Filed: **Mar. 27, 2007**

(51) **LOC (8) Cl.** **07-01**

(52) **U.S. Cl.** **D7/524; D7/509; D7/523**

(58) **Field of Classification Search** D7/392-394,
D7/509-511, 515, 522-524, 528, 529, 531-533,
D7/536, 537, 540, 542, 901; 215/10, 365,
215/376, 377, 382, 384, 387, 392, 394, DIG. 7;
220/62.12, 560, 568, 592.17, 607, 608, 623,
220/659, 662, 669, 710

See application file for complete search history.

FIG. 1 is a top and side perspective view of a drinking vessel
showing my new design;

FIG. 2 is a side elevation view thereof, wherein the position of
the top portion is on a flat side, all three other views showing
a flat side are the same;

FIG. 3 is a side elevation view thereof, wherein the position of
the top portion is on a corner, all three other views showing a
corner are the same;

FIG. 4 is a top plan view thereof;

FIG. 5 is a bottom plan view thereof;

FIG. 6 is a vertical longitudinal sectional view along line 6—6
of FIG. 4;

FIG. 7 is a top and side perspective view of a second embodi-
ment showing my new design;

FIG. 8 is a side elevation view thereof, wherein the position of
the top portion is on a flat side, all three other views showing
a flat side are the same;

FIG. 9 is a side elevation view thereof, wherein the position of
the top portion is on a corner, all three other views showing a
corner are the same;

FIG. 10 is a top plan view thereof;

FIG. 11 is a bottom plan view thereof; and,

FIG. 12 is a vertical longitudinal sectional view along line
12—12 of FIG. 10.

(56) **References Cited**

U.S. PATENT DOCUMENTS

398,396 A * 2/1889 Holden 73/864

(Continued)

FOREIGN PATENT DOCUMENTS

EM 000115787-0009 * 12/2003

(Continued)

OTHER PUBLICATIONS

Kempston Cone-Beaker, 5-6th c., History of Glass, Klein and Lloyd,
Orbis and Black Cat Publishing, 1984, 1992, p. 41.*

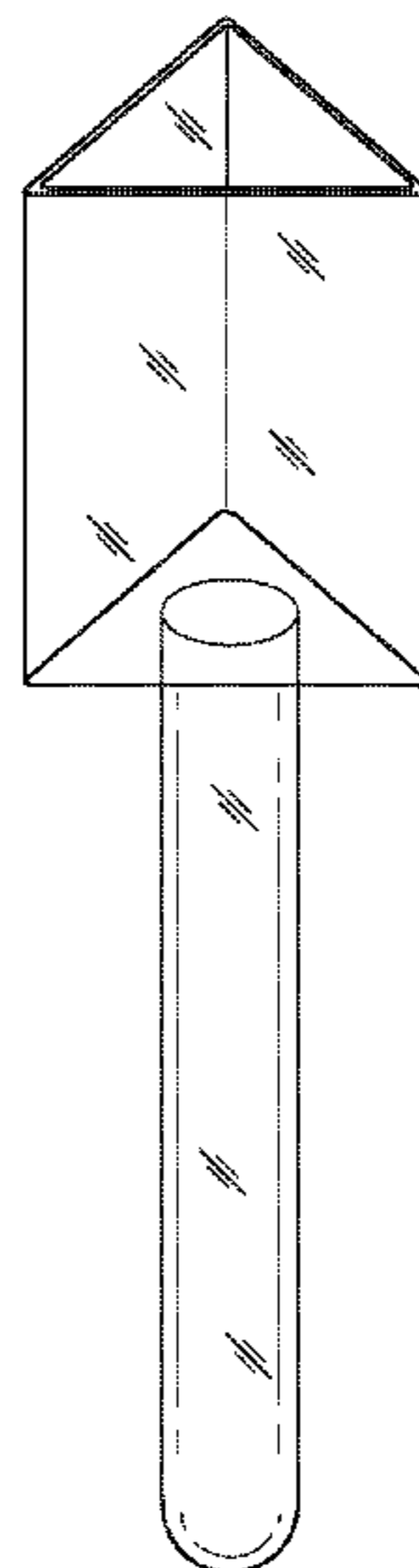
(Continued)

Primary Examiner—T. Chase Nelson

Assistant Examiner—Karen Acker

(74) *Attorney, Agent, or Firm*—Mark Douma

1 Claim, 8 Drawing Sheets



U.S. PATENT DOCUMENTS

632,321	A *	9/1899	Olney	211/74
D46,619	S	11/1914	Fisher	
1,140,822	A *	5/1915	Hirshfeld	312/42
D47,721	S	8/1915	Haley	
D70,754	S	8/1926	Heisey	
D90,928	S	10/1933	Rosenmerkle	
D91,407	S *	1/1934	Kanter	D7/524
D91,409	S *	1/1934	Kanter	D7/524
D93,871	S	11/1934	Griffen	
2,097,571	A *	11/1937	Moran	285/374
D113,230	S	2/1939	Karstdat	
2,383,941	A *	9/1945	Otis	40/406
2,423,173	A *	7/1947	Brady et al.	73/864.02
D161,115	S	12/1950	Meier	
D167,819	S *	9/1952	Yanks et al.	D26/2
D167,930	S *	10/1952	Dribnack	D26/60
D168,409	S	12/1952	Kell	
2,720,307	A *	10/1955	Morgan	206/457
2,809,773	A *	10/1957	Bender	73/864.03
D183,820	S *	10/1958	Yohe	D24/112
D198,139	S	5/1964	Edwards	
3,177,617	A *	4/1965	Koistinen	47/41.11
3,339,605	A *	9/1967	Ignell	220/212.5
3,355,950	A *	12/1967	Harris, Sr.	73/864.01
3,423,008	A *	1/1969	Mykleby	229/110
D215,226	S *	9/1969	Benes	D7/524
D217,001	S	3/1970	Stone	
3,499,569	A *	3/1970	Wentzel	215/374
D219,789	S *	1/1971	Quistgaard	D7/524
D222,646	S *	11/1971	Clark	D26/2
D224,035	S *	6/1972	Douglas	D7/524
D225,523	S	12/1972	Nunn	
D225,535	S *	12/1972	Watanabe	D26/2
D226,663	S *	4/1973	Watanabe	D26/2
D230,552	S *	3/1974	Bengert	D7/524
3,850,290	A *	11/1974	Murphy	206/457
3,864,979	A *	2/1975	Ayres	73/864.02
D234,448	S *	3/1975	Achenbach	D7/524
3,935,946	A *	2/1976	Bengert	206/516
D239,151	S *	3/1976	Lundin	D7/523
D240,284	S *	6/1976	Sarpaneva	D7/523
D240,286	S	6/1976	Sarpaneva	
4,021,124	A *	5/1977	Sarstedt	356/246
4,037,464	A *	7/1977	Wenander	73/61.65
4,044,889	A *	8/1977	Orentreich et al.	206/459.5
D248,004	S	5/1978	Simpson	
D253,872	S *	1/1980	Reynolds	D9/428
D254,946	S *	5/1980	Tayebi	D7/528
D257,394	S *	10/1980	Reichler	D24/117
D258,144	S *	2/1981	Kallet et al.	D24/224
D260,470	S *	9/1981	Angelakos	D7/507
D263,544	S	3/1982	Vennola	
D265,536	S *	7/1982	Turcotte, Jr.	D7/523
D266,025	S *	8/1982	Polhemus et al.	D26/2
4,436,631	A *	3/1984	Graham et al.	210/772
D285,999	S *	10/1986	Ludwick et al.	D7/523
D286,072	S *	10/1986	Miller	D24/224
D286,604	S *	11/1986	Bierlein et al.	D7/523
D287,204	S *	12/1986	Bierlein et al.	D7/523
D287,885	S *	1/1987	Bolduc	D26/11
D289,356	S *	4/1987	Tanaka	D7/523
D299,271	S *	1/1989	Christensen	D24/112
D300,561	S *	4/1989	Asa et al.	D24/112
D302,225	S	7/1989	Shapard	
4,988,011	A *	1/1991	Fenton et al.	220/88.1
4,991,734	A *	2/1991	Nilsson et al.	220/604
D318,728	S *	7/1991	Braune	D24/224
5,073,347	A *	12/1991	Garren et al.	422/100
5,078,970	A *	1/1992	Teodorescu et al.	422/100
5,081,872	A *	1/1992	Greter	73/864.74
5,098,663	A	3/1992	Berthold et al.	
D325,444	S *	4/1992	Murashita et al.	D24/224
5,181,670	A *	1/1993	Eaton et al.	242/388.1
D334,058	S *	3/1993	Noble	D24/116
D334,321	S	3/1993	Falzorano	
D340,838	S	11/1993	Lingo	
5,257,633	A *	11/1993	Vogler et al.	600/576
D346,455	S *	4/1994	Mayr	D26/2
5,393,494	A *	2/1995	Greenfield et al.	422/68.1
D356,232	S *	3/1995	Armstrong et al.	D7/513
D358,080	S	5/1995	Handler	
5,445,315	A *	8/1995	Shelby	229/117.06
D365,146	S *	12/1995	Olson	D24/108
D386,260	S *	11/1997	Polaniec	D24/112
D397,226	S *	8/1998	Kelly et al.	D24/224
5,813,565	A *	9/1998	Huot	220/619
D400,051	S	10/1998	Miyagi	
D401,698	S *	11/1998	Daniels	D24/222
D408,685	S *	4/1999	Lage et al.	D7/523
D417,820	S	12/1999	Pelz et al.	
D418,015	S	12/1999	Santini	
D418,370	S	1/2000	Wilson	
D425,618	S *	5/2000	Niermann et al.	D24/122
D431,418	S	10/2000	Moran	
D435,194	S *	12/2000	Betras	D7/511
6,203,870	B1 *	3/2001	Darr	428/35.7
D449,962	S	11/2001	Harrison et al.	
D453,572	S *	2/2002	Livecchi	D24/224
D454,201	S *	3/2002	Harrop	D24/224
D461,905	S *	8/2002	Wei	D24/224
D474,648	S	5/2003	Dimeo	
6,585,127	B2 *	7/2003	Yang	220/23.86
6,641,881	B1 *	11/2003	Darr	428/35.7
D485,869	S *	1/2004	Miletich	D21/399
D491,020	S	6/2004	Gluck	
D493,004	S *	7/2004	Hoshikawa et al.	D26/3
D500,152	S *	12/2004	Stekelenburg	D26/26
D515,359	S	2/2006	Andrews	
D515,723	S *	2/2006	Chen	D26/67
D527,223	S	8/2006	Thun	
D533,404	S *	12/2006	Mansfield	D7/513
D534,768	S *	1/2007	Mansfield	D7/513
D535,559	S	1/2007	Kehoe	
D540,380	S *	4/2007	Hoshiya et al.	D18/56
D543,783	S *	6/2007	Goldberg	D7/523
D545,448	S *	6/2007	Eriksson et al.	D24/224
2001/0032520	A1 *	10/2001	Smith	73/864.34
2002/0102184	A1 *	8/2002	Co	422/100
2004/0123680	A1 *	7/2004	Judic	73/864.01

FOREIGN PATENT DOCUMENTS

EM	000236195-0004	*	10/2004
EM	000236195-0005	*	10/2004
EM	000545066-0003	*	6/2006
EM	000545066-0004	*	6/2006
EM	000545066-0006	*	6/2006
EM	000545066-0007	*	6/2006

OTHER PUBLICATIONS

Lake Charles Manufacturing, Lake Charles, Louisiana, Shot Wizard Datasheet [online] [retrieved Mar. 29, 2007] 1 page, Retrieved from the Internet <URL <http://www.shotwizard.com/PhotoGallery.asp?ProductCode=207%2D0013W>>.

Bar Products.com Inc., Largo, Florida, Tube Shotz(R) Datasheet [online] [retrieved Mar. 29, 2007] 1 page, Retrieved from the Internet <URL <http://www.barproducts.com/media/5901b.html>>.

* cited by examiner

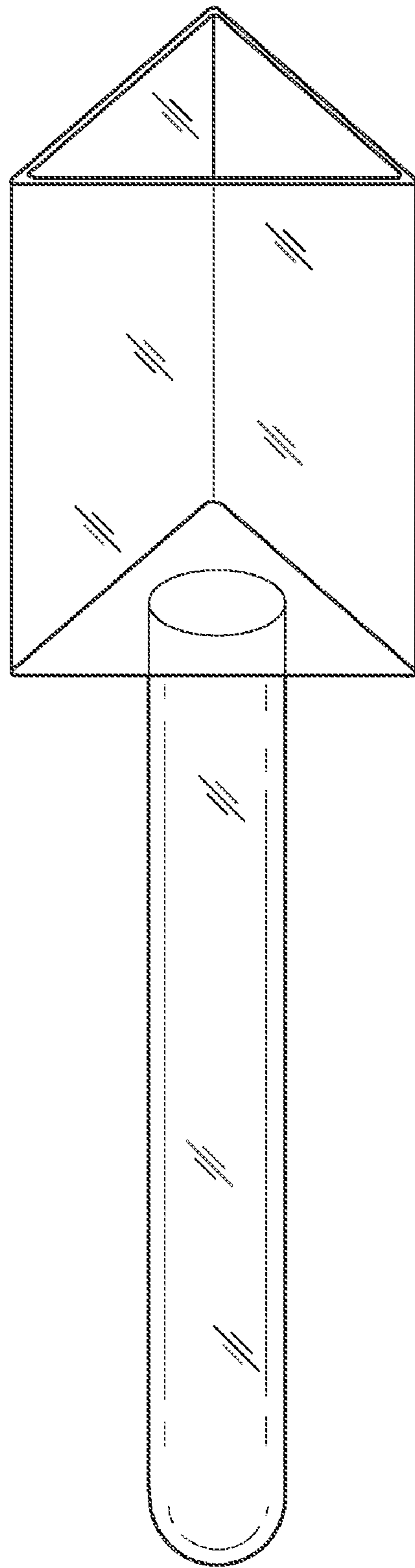


FIG. 1

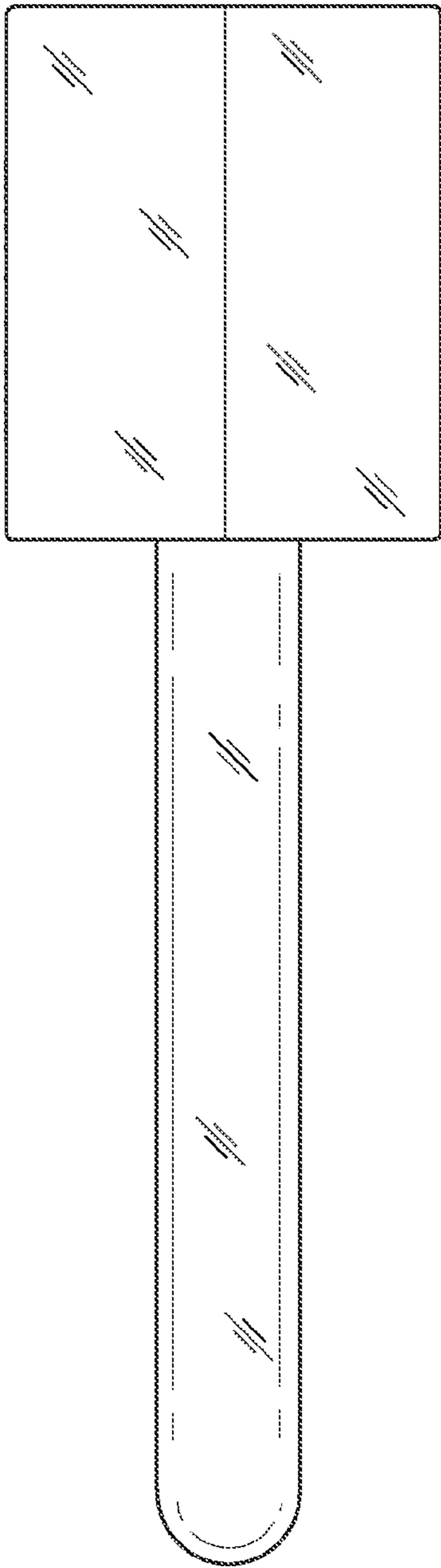


FIG. 2

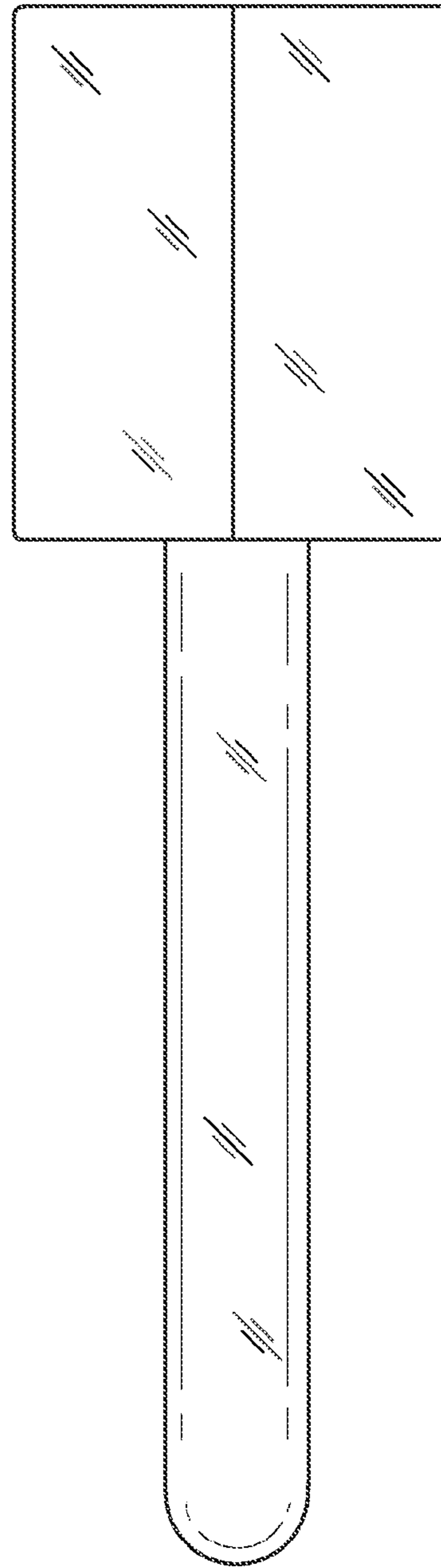


FIG. 3

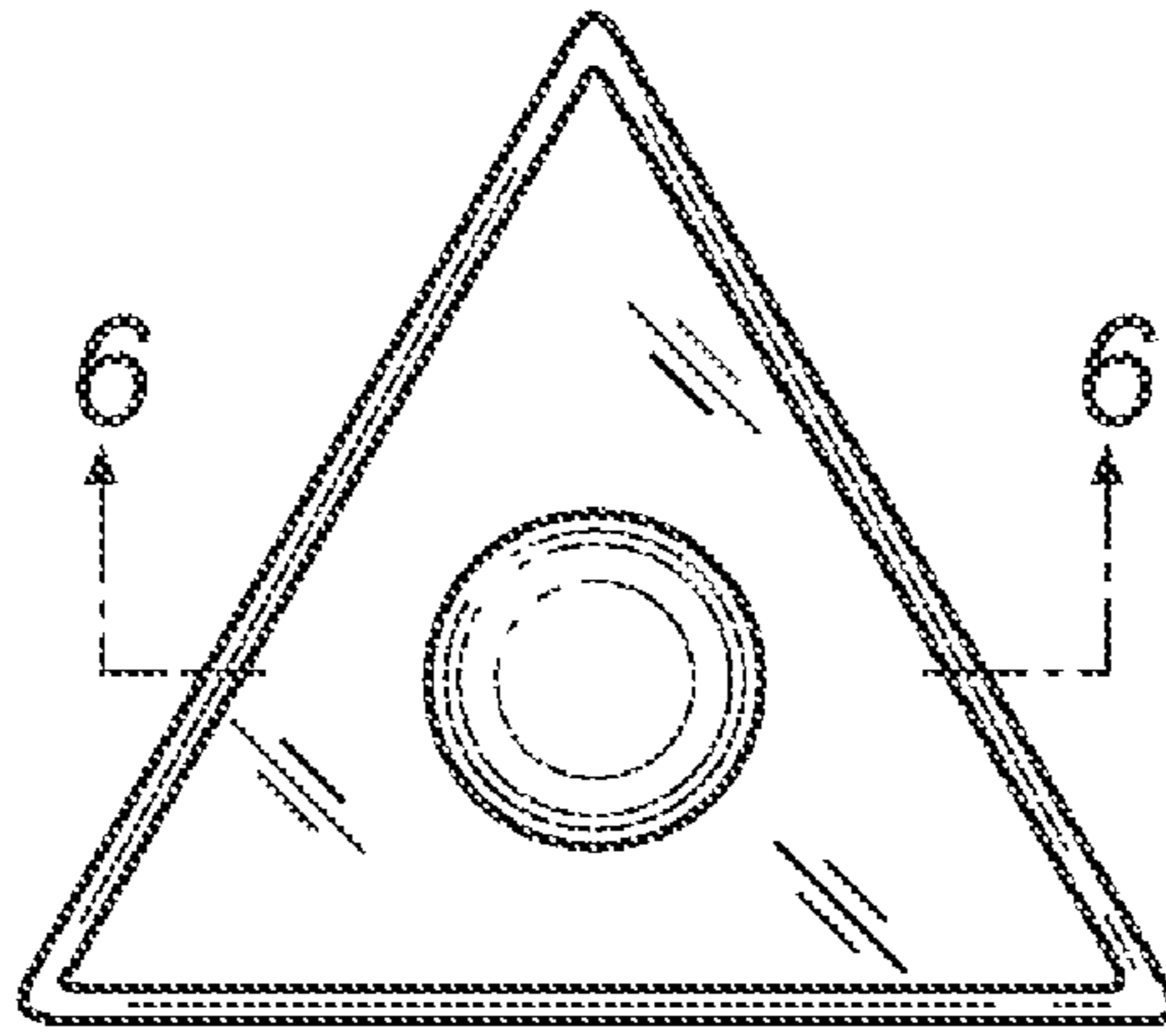


FIG. 4

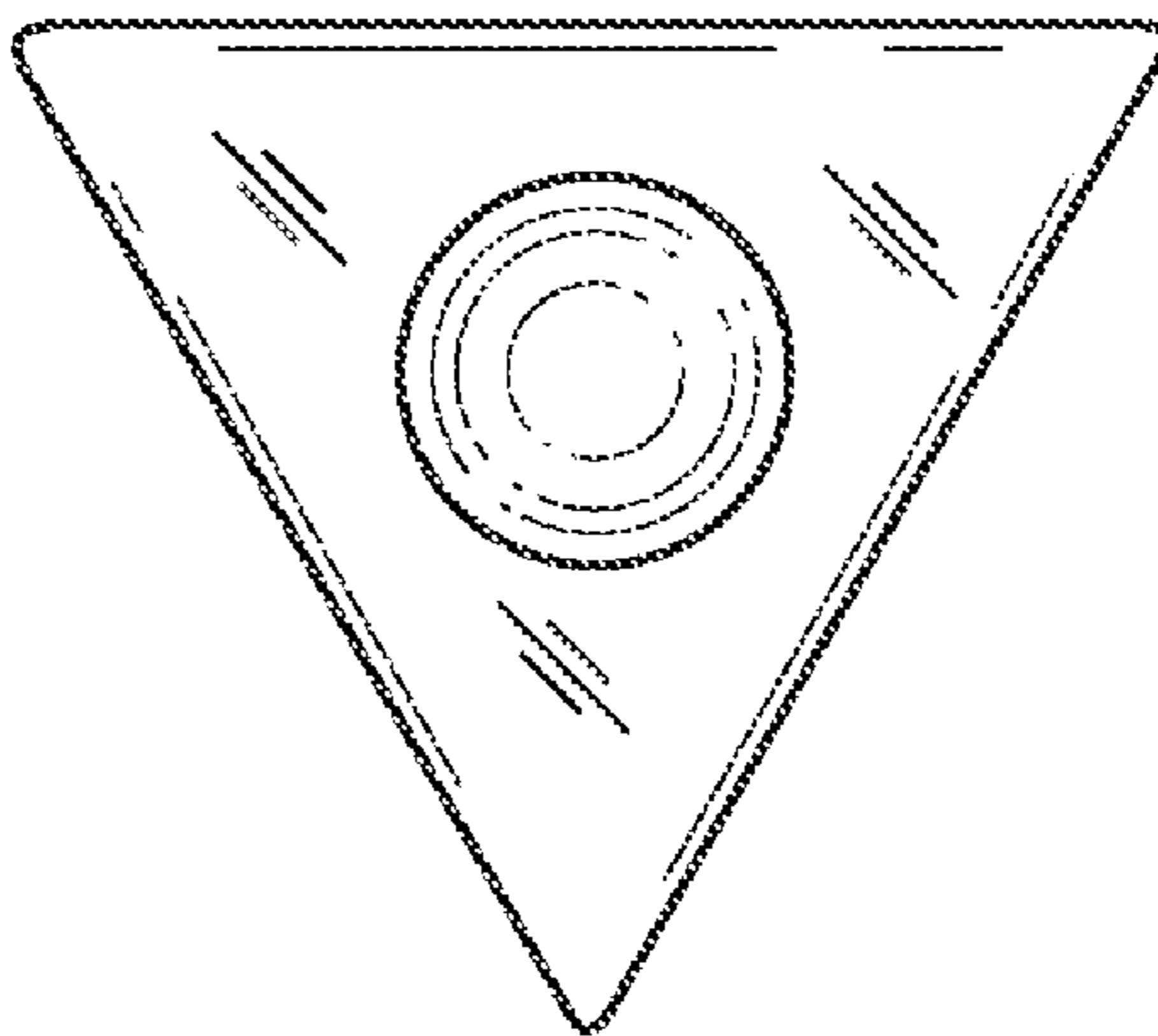


FIG. 5

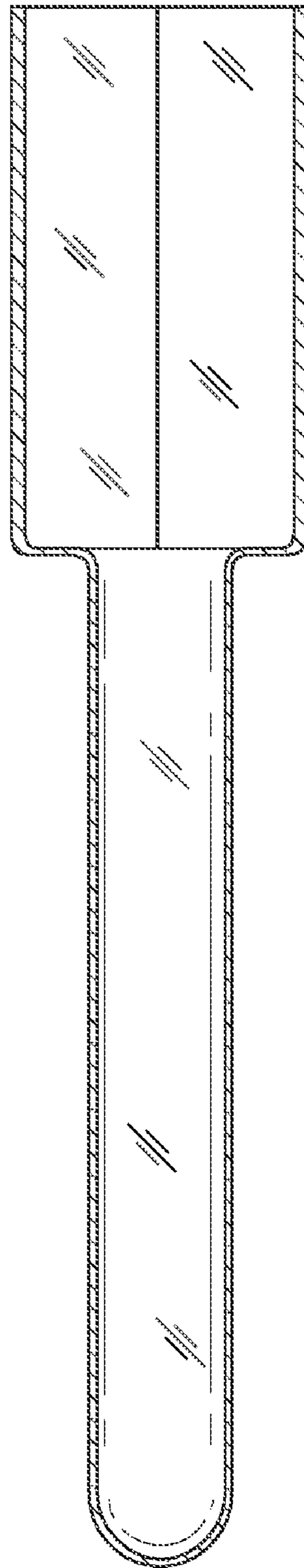


FIG. 6

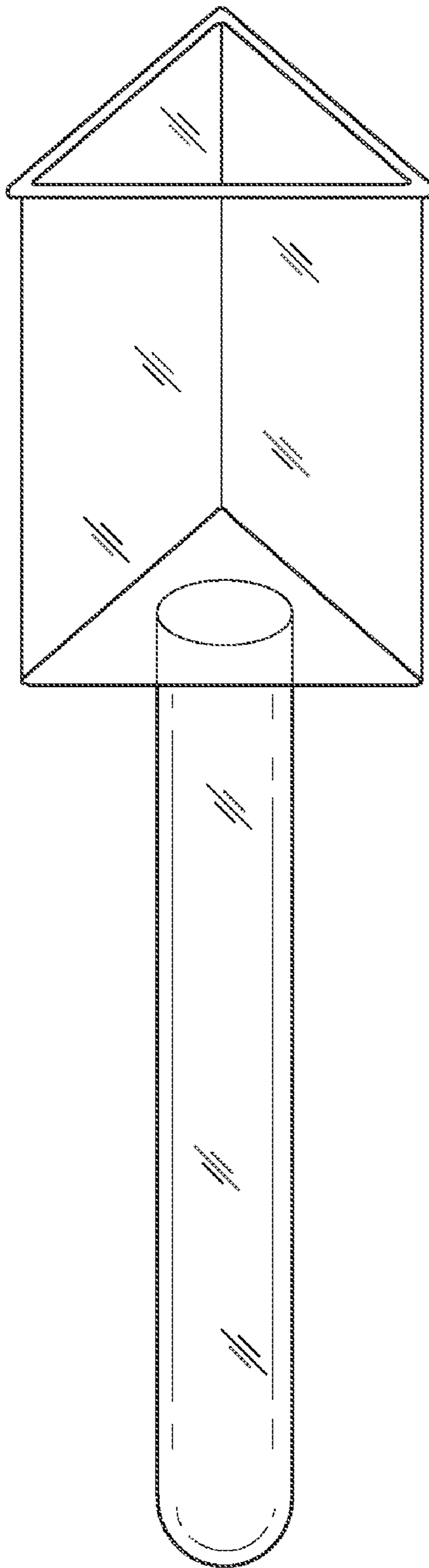


FIG. 7

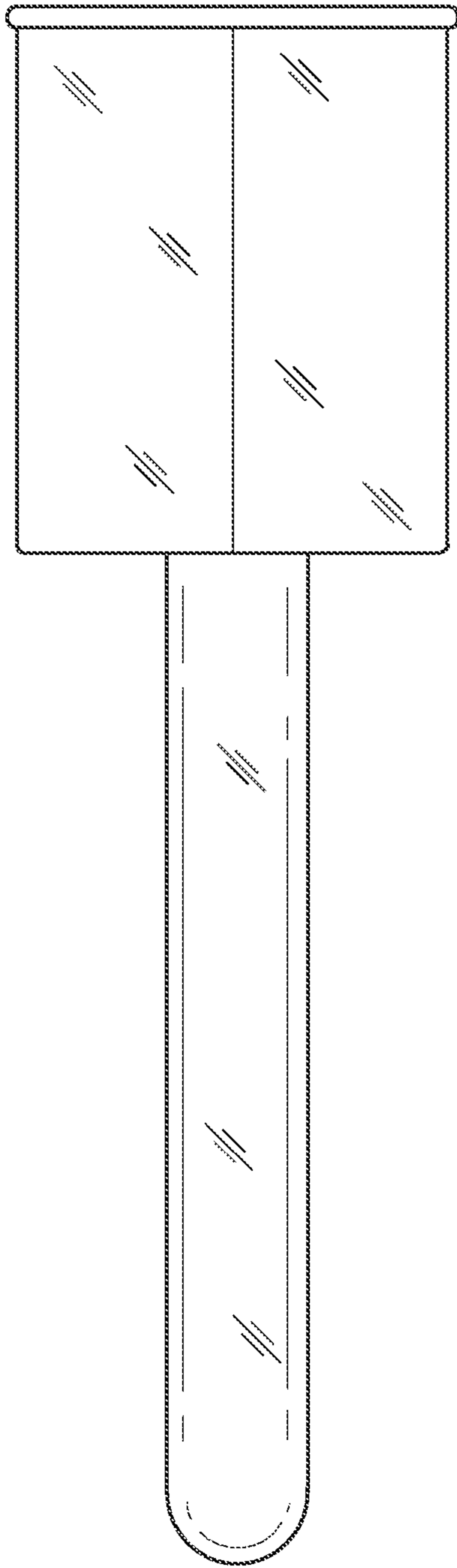


FIG. 8

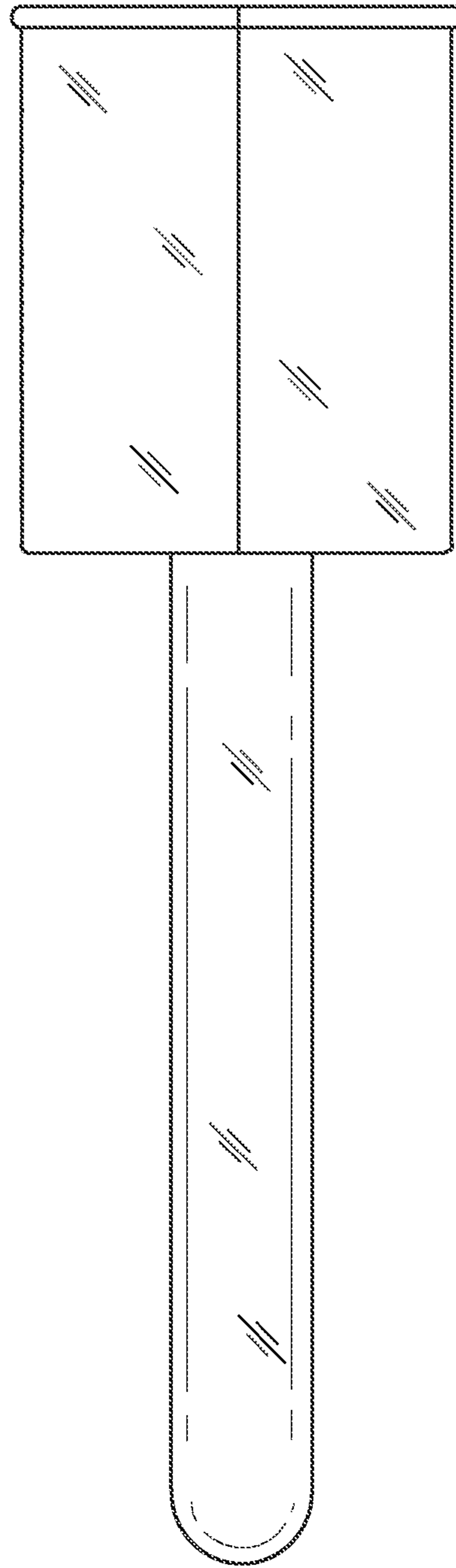


FIG. 9

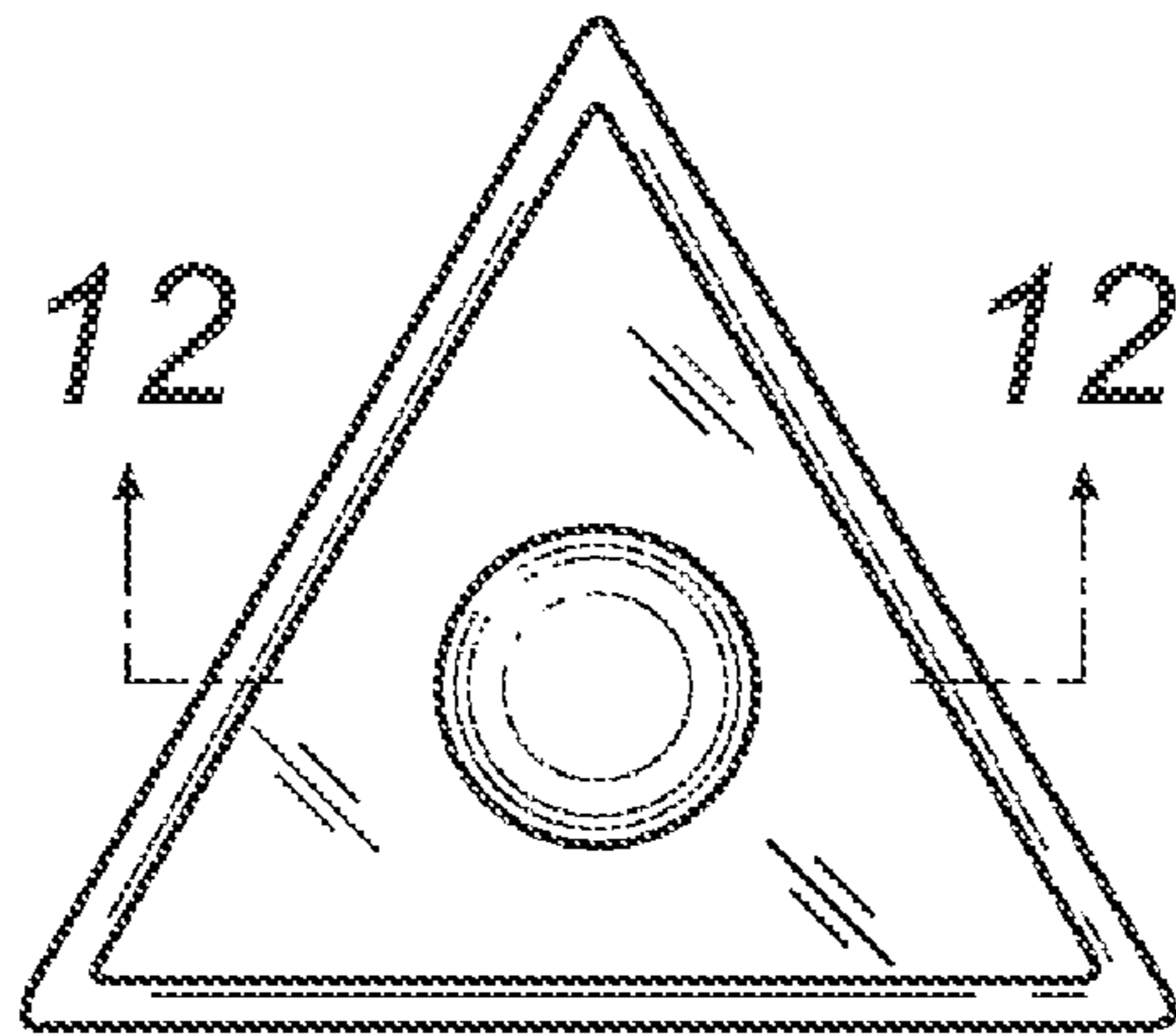


FIG. 10

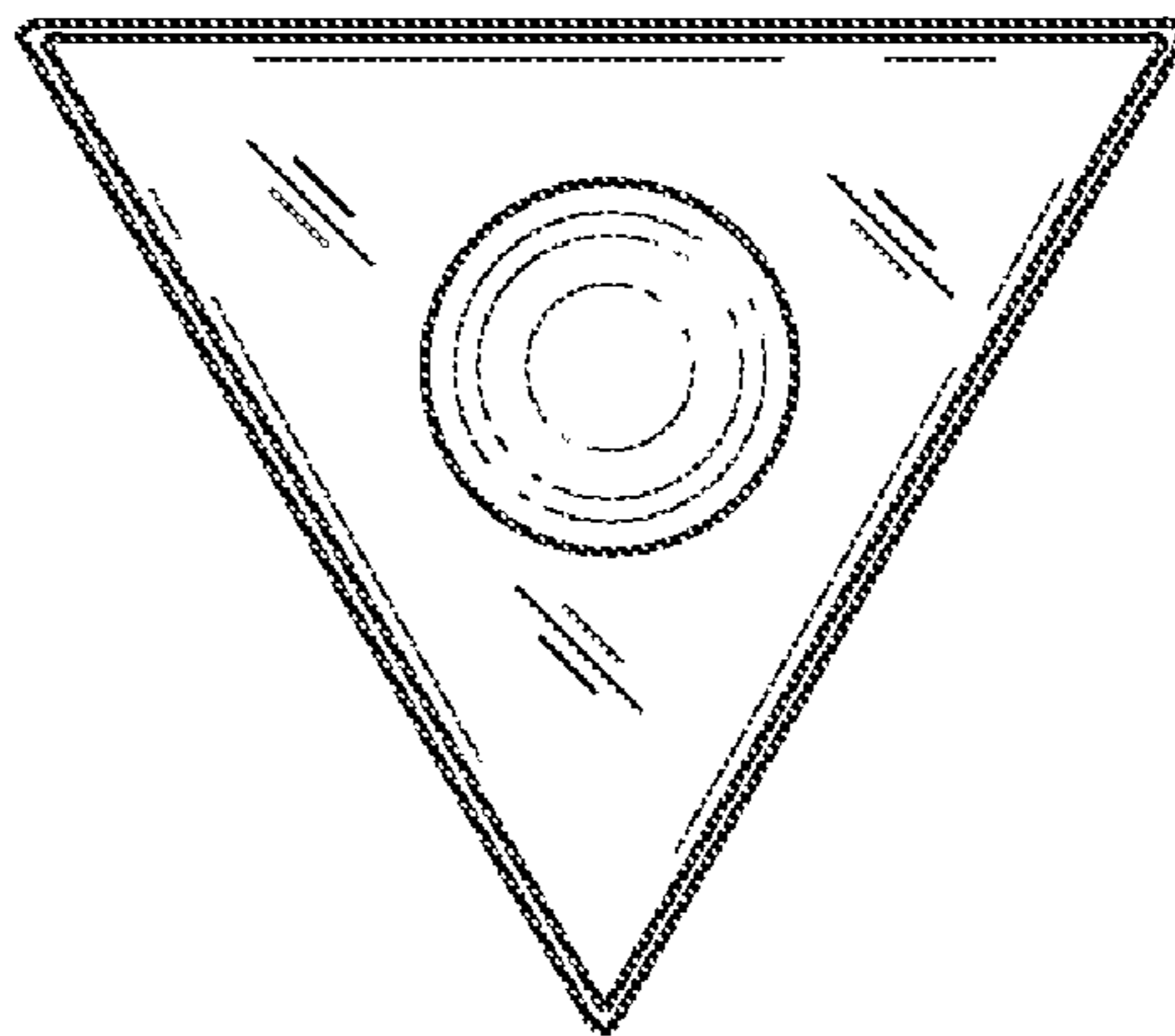


FIG. 11

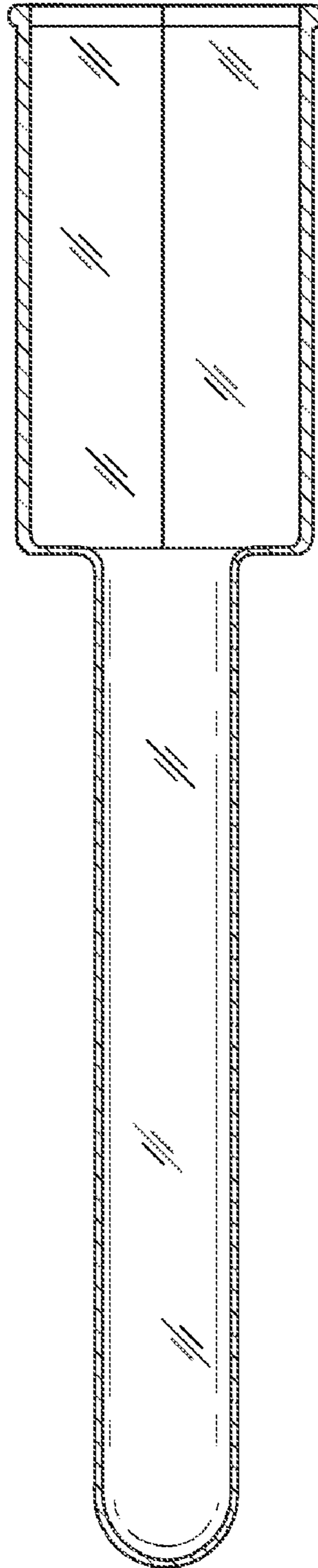


FIG. 12