



US00D572974S

(12) **United States Design Patent**
Tyler et al.

(10) **Patent No.:** **US D572,974 S**
(45) **Date of Patent:** **** Jul. 15, 2008**

(54) **BEVERAGE CONTAINER AND LID**

(74) *Attorney, Agent, or Firm*—The Bilicki Law Firm, PC

(75) Inventors: **Dwayne Tyler**, Sheffield, PA (US); **Brad Bielawski**, Warren, PA (US)

(57) **CLAIM**

The ornamental design for a beverage container and lid, as described and shown.

(73) Assignee: **Whirley Industries, Inc.**, Warren, PA (US)

(**) Term: **14 Years**

DESCRIPTION

(21) Appl. No.: **29/273,222**

FIG. 1 is an exploded side view of a beverage container and lid showing our new design;

(22) Filed: **Feb. 28, 2007**

FIG. 2 is a side perspective view of the beverage container and lid;

(51) **LOC (8) Cl.** **07-01**

FIG. 3 is a top plan view thereof;

(52) **U.S. Cl.** **D7/510; D7/511; D7/536**

FIG. 4 is a side view of the lid portion of the beverage container and lid of both embodiments with the beverage container portion removed for ease of illustration;

(58) **Field of Classification Search** D7/511, D7/510, 608, 533, 536, 531; 220/711, 713, 220/254.1, 603, 703, 592.16, 592.17; 264/46.5
See application file for complete search history.

FIG. 5 is an opposite side view thereof;

(56) **References Cited**

FIG. 6 is a side view of the beverage container and lid, the opposite side being a mirror image thereof;

U.S. PATENT DOCUMENTS

FIG. 7 is an exploded side view of a beverage container and lid showing a second embodiment of my new design;

5,570,797	A *	11/1996	Yeh	215/228
D382,174	S *	8/1997	Grimm	D7/510
D394,187	S *	5/1998	Orrico et al.	D7/533
D411,713	S *	6/1999	Bridges	D7/536
D411,716	S *	6/1999	Besser et al.	D7/608
D420,550	S *	2/2000	Elshof	D7/510
D455,610	S *	4/2002	Bridges	D7/536
6,530,496	B2 *	3/2003	Moran	220/603
D517,371	S *	3/2006	Bielawski	D7/536
D549,522	S *	8/2007	Tien	D7/510
D554,435	S *	11/2007	Carreno et al.	D7/533
D562,077	S *	2/2008	Bhavnani	D7/536

FIG. 8 is a side perspective view of the second embodiment of the beverage container and lid;

FIG. 9 is a top plan view thereof;

FIG. 10 is a side view of the second embodiment of the beverage container and lid, the opposite side being a mirror image thereof;

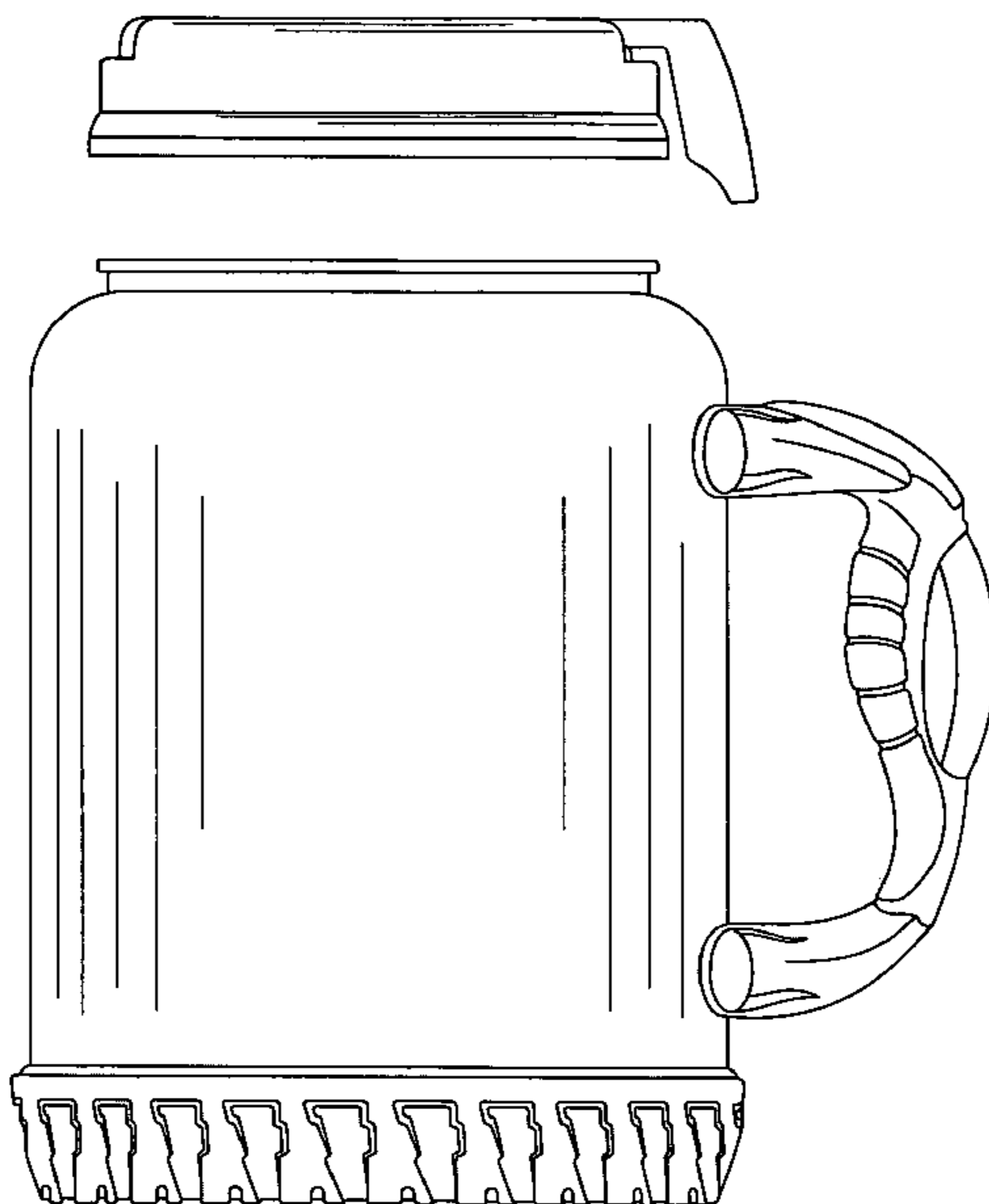
FIG. 11 is a bottom plan view of the first embodiment of the beverage container and lid; and,

FIG. 12 is a bottom plan view of the second embodiment of the beverage container and lid.

* cited by examiner

Primary Examiner—Marianne Pandozzi

1 Claim, 11 Drawing Sheets



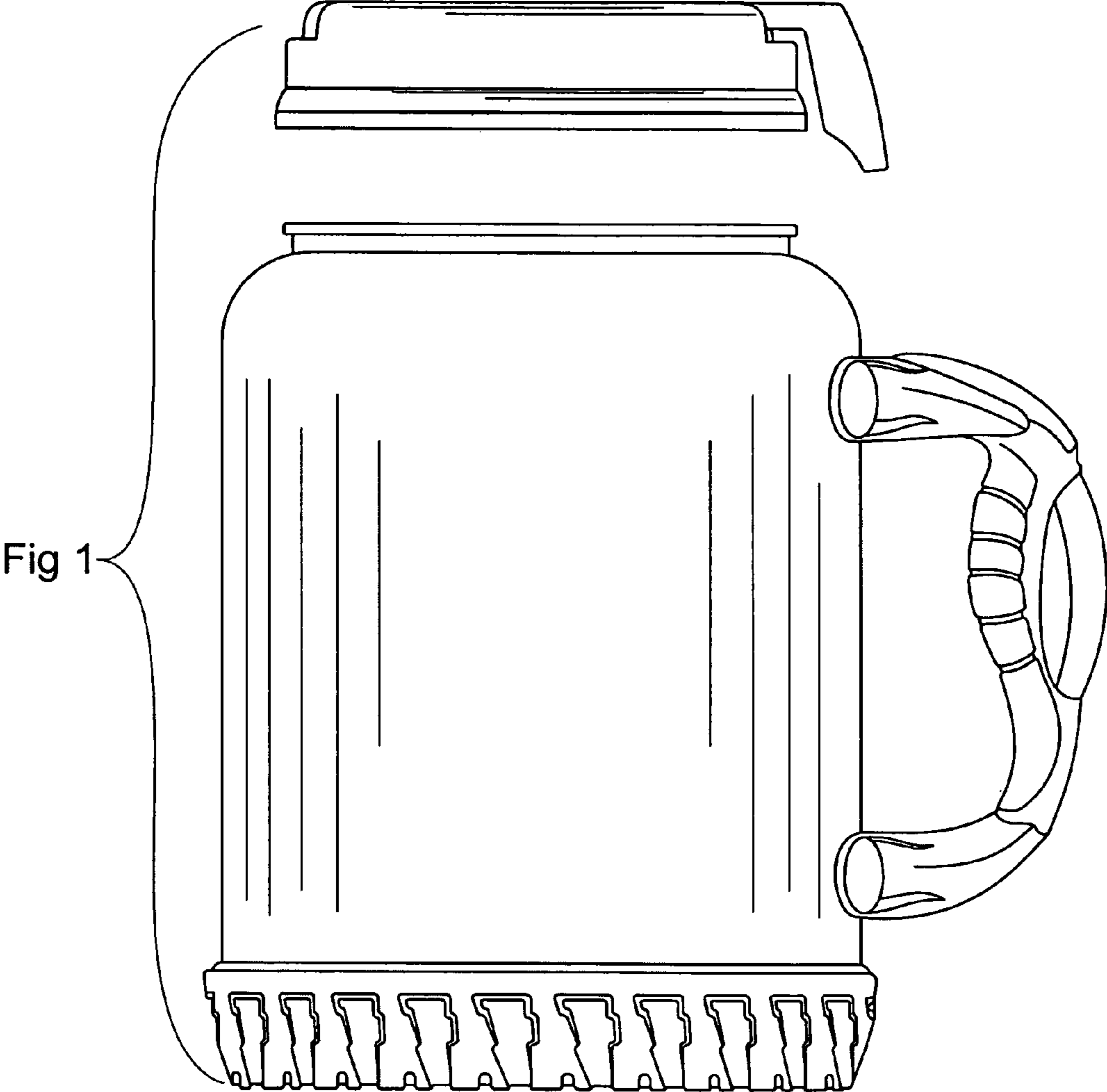




Fig 2

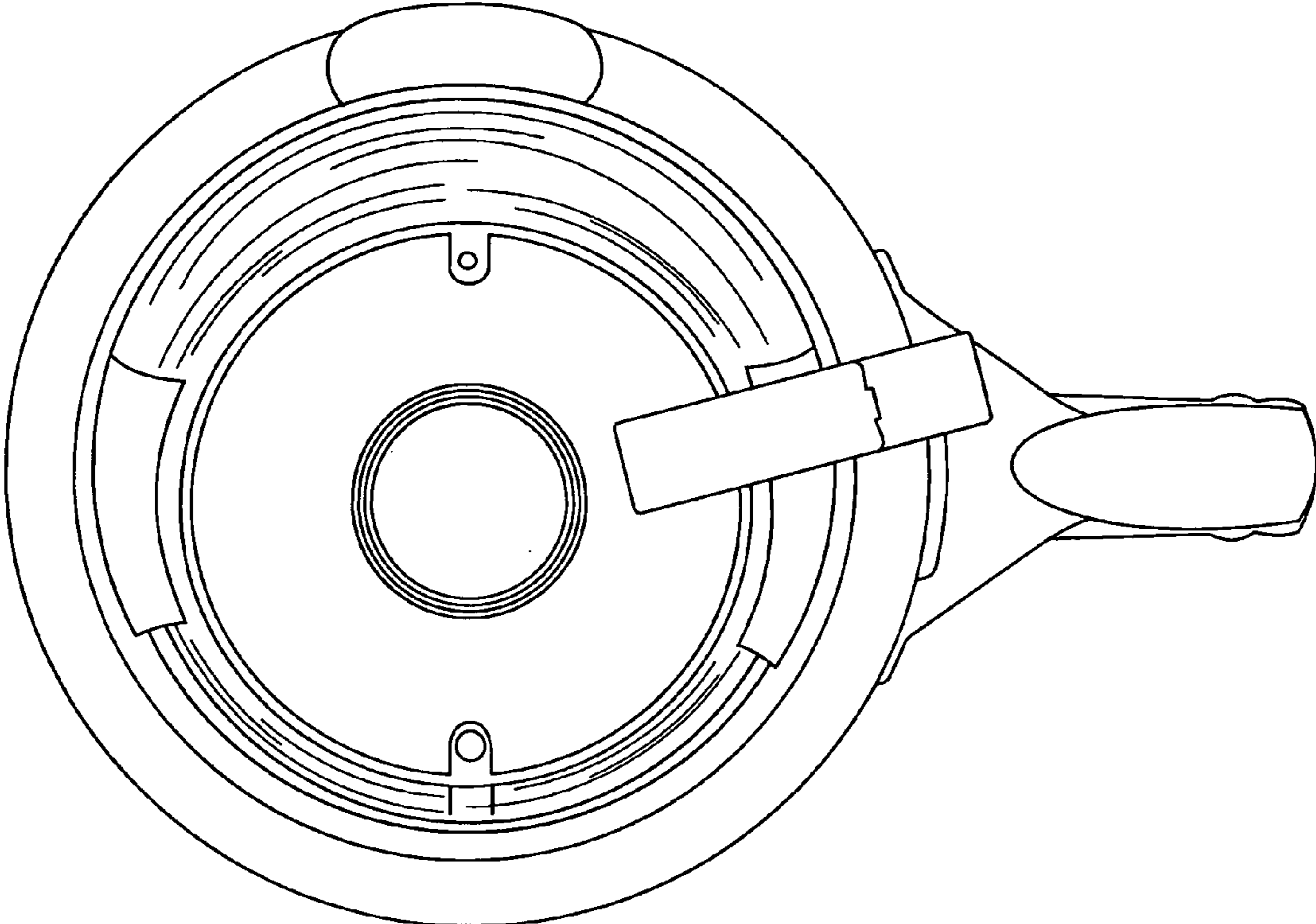


Fig 3

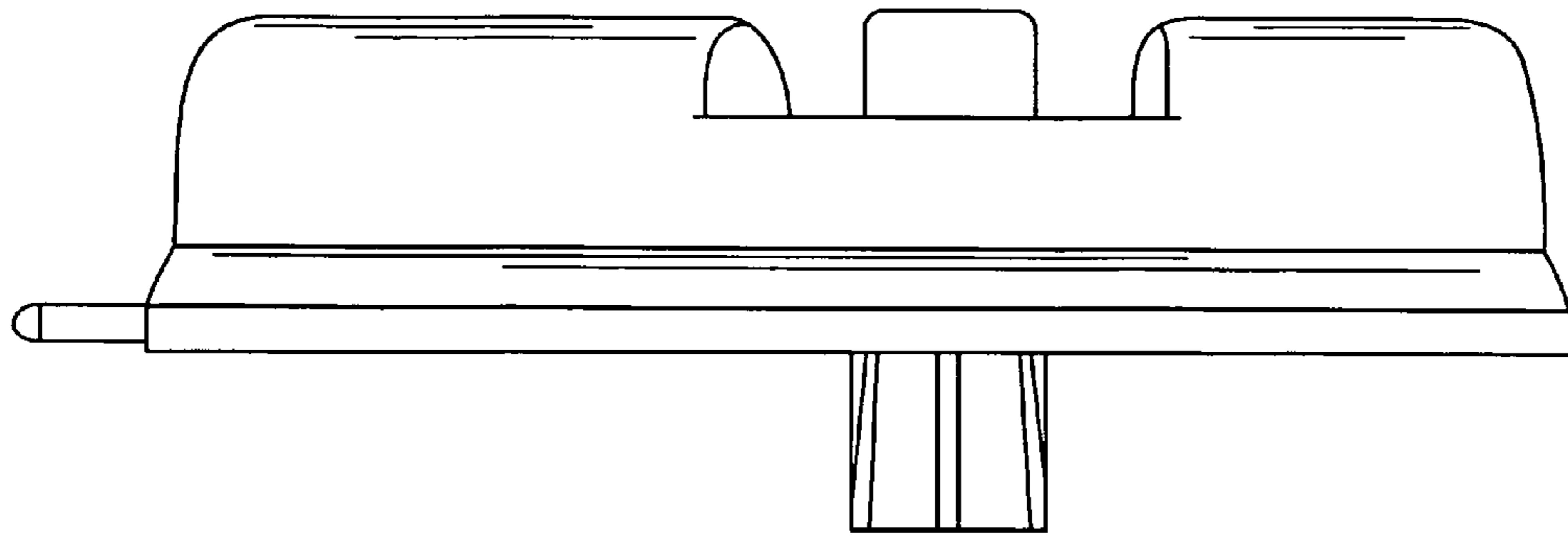


Fig 4

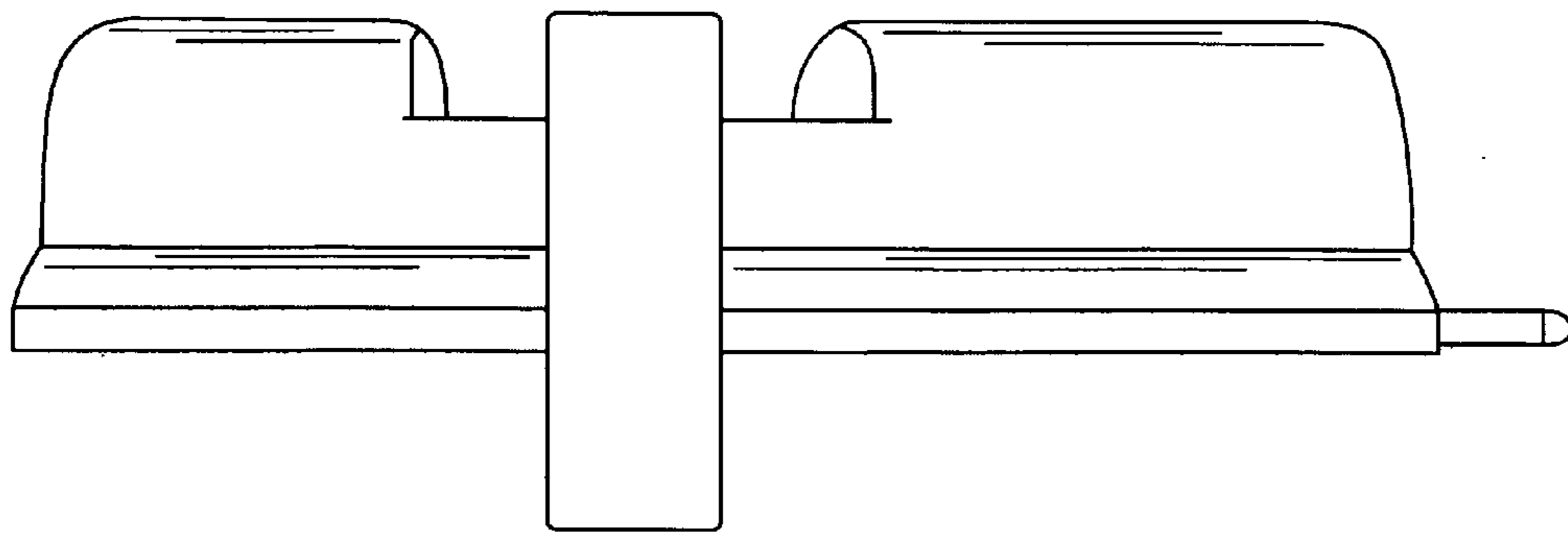


Fig 5

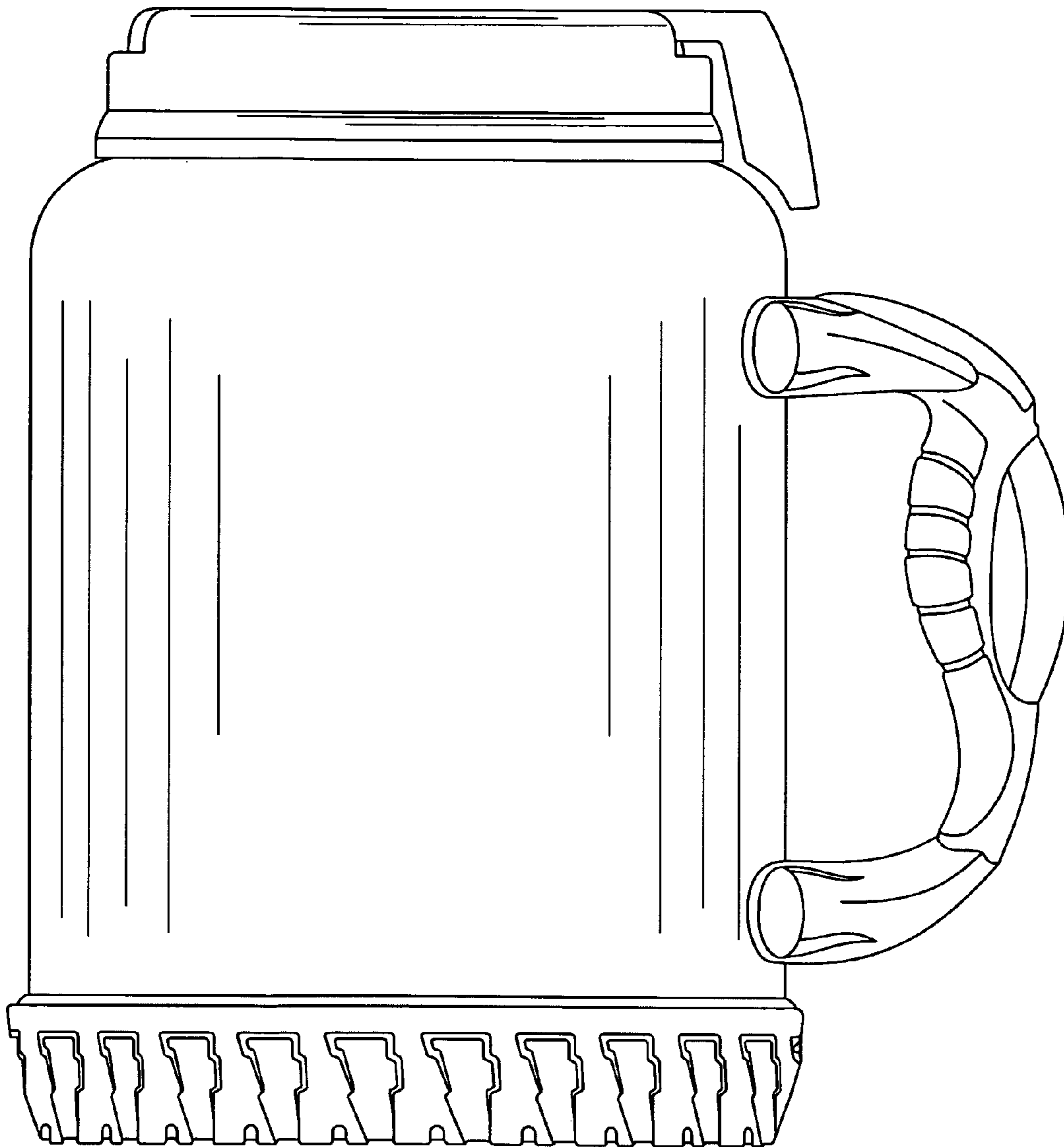
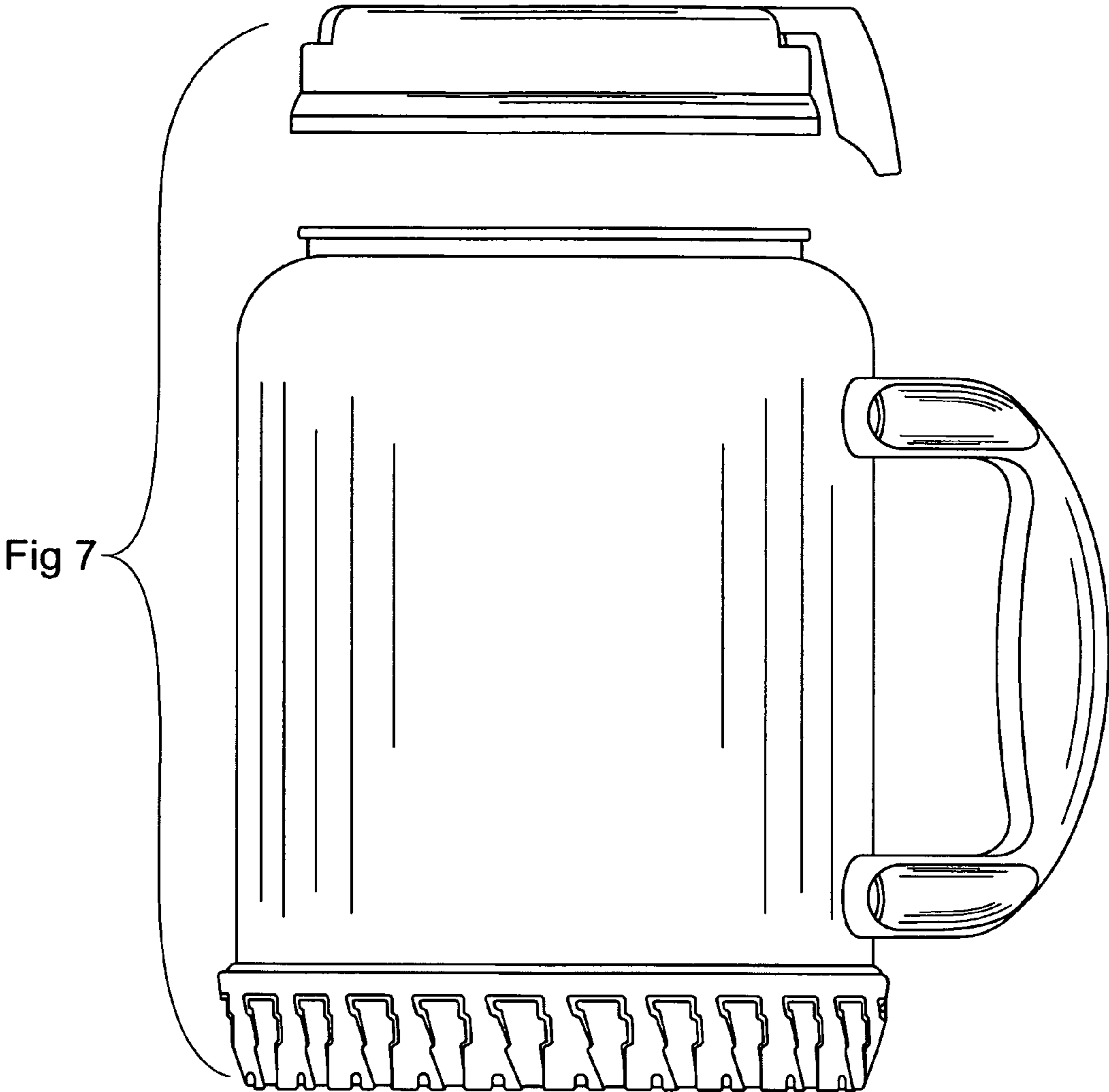


Fig 6



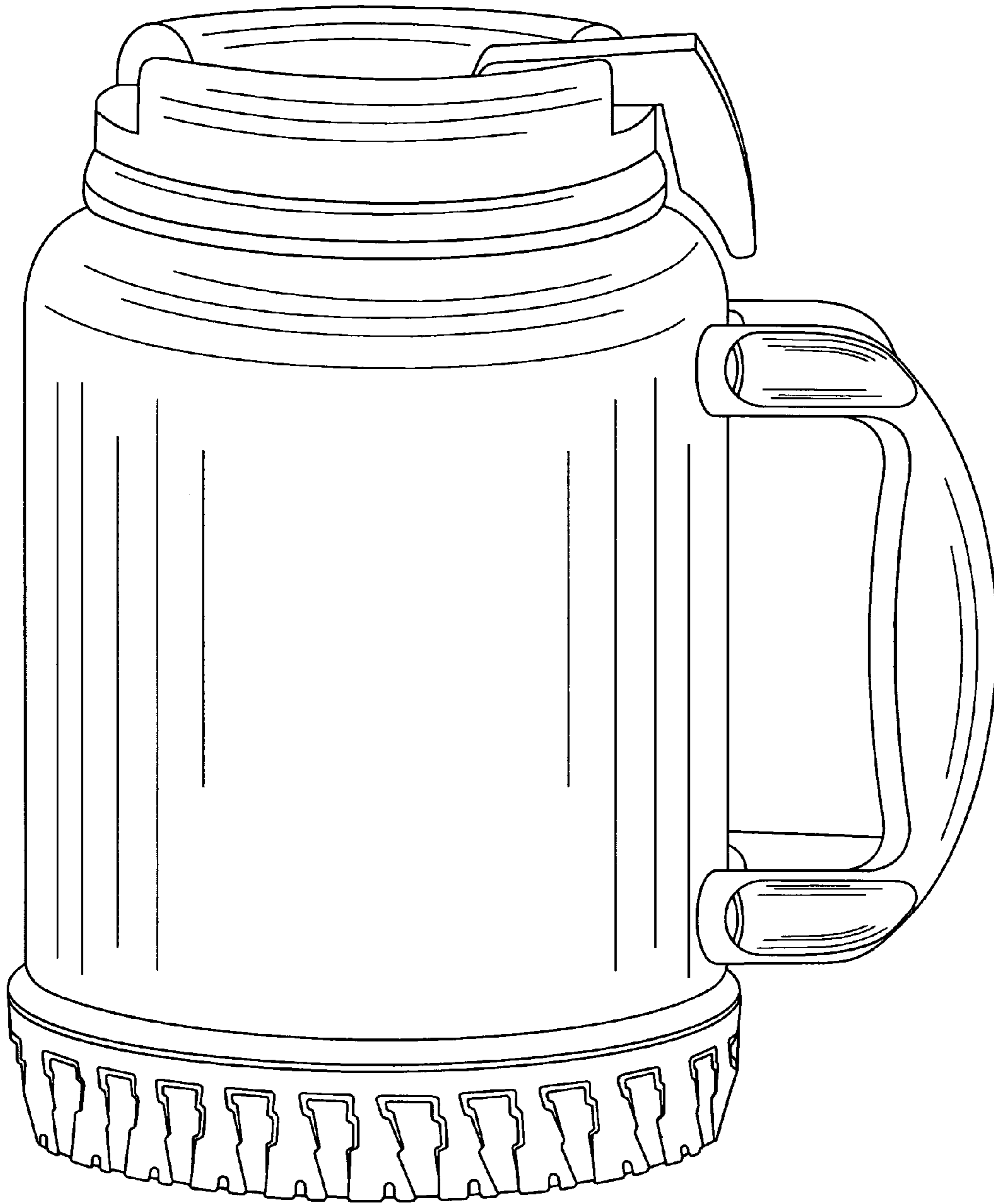


Fig 8

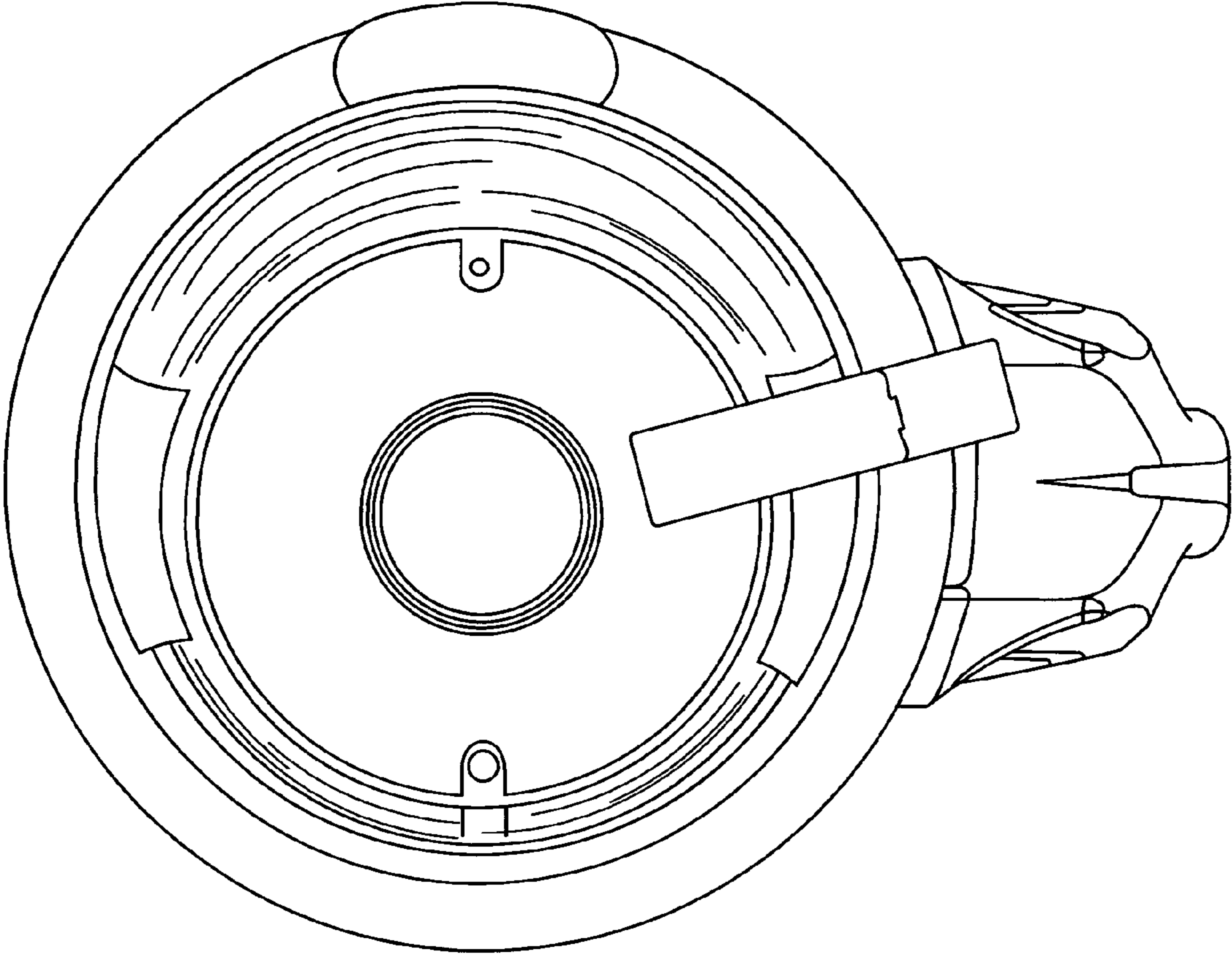


Fig 9

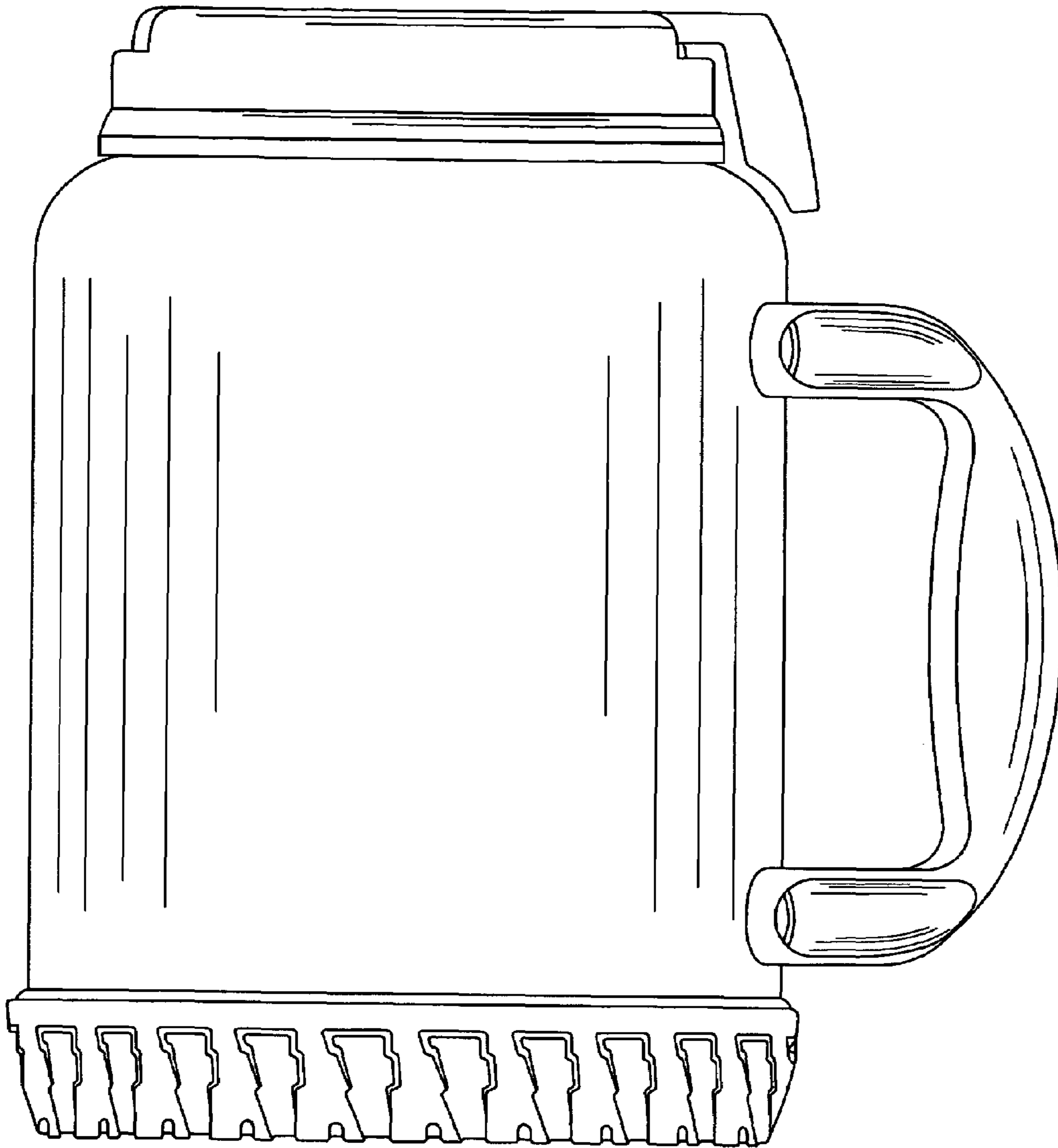


Fig 10

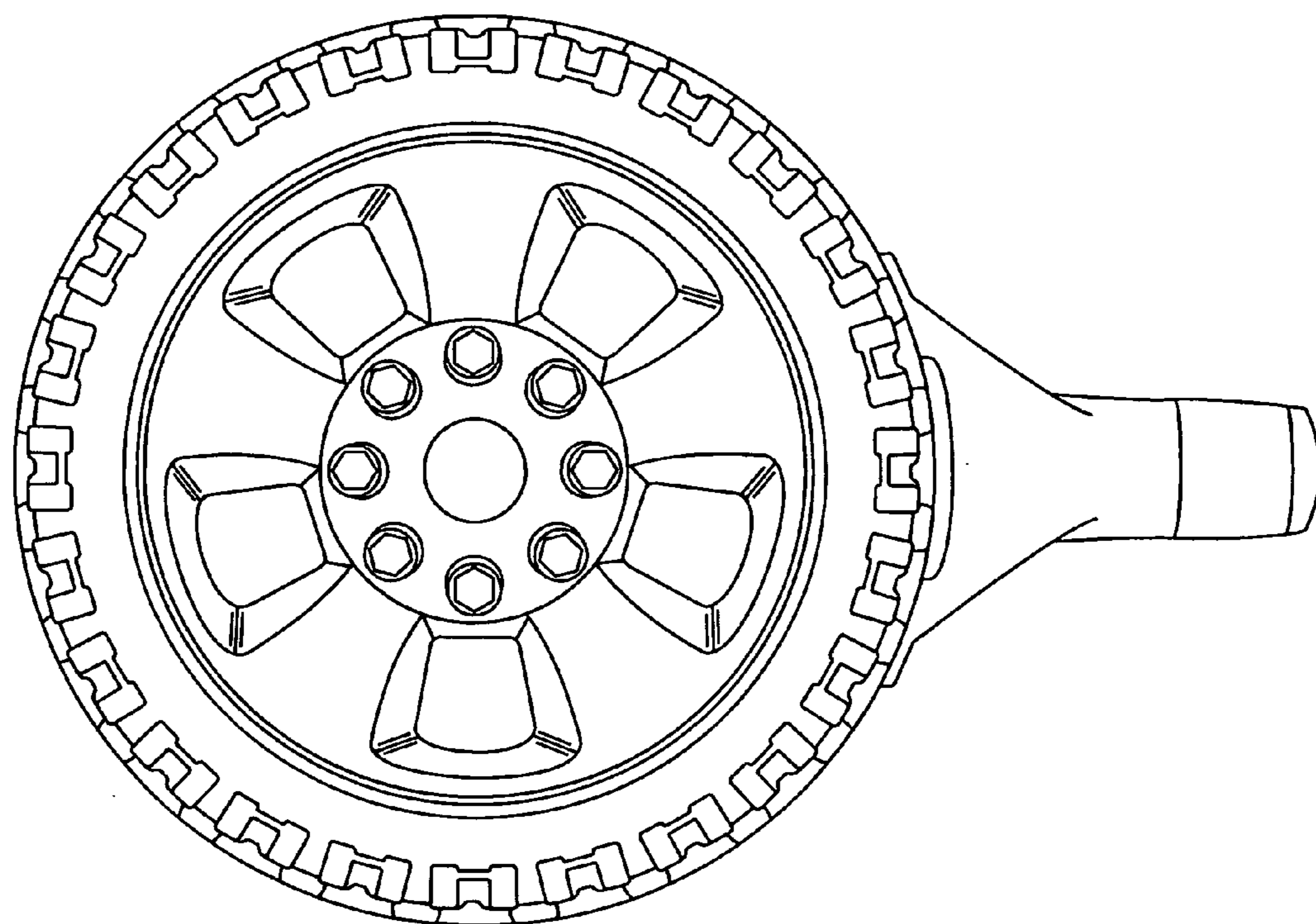


Fig 11

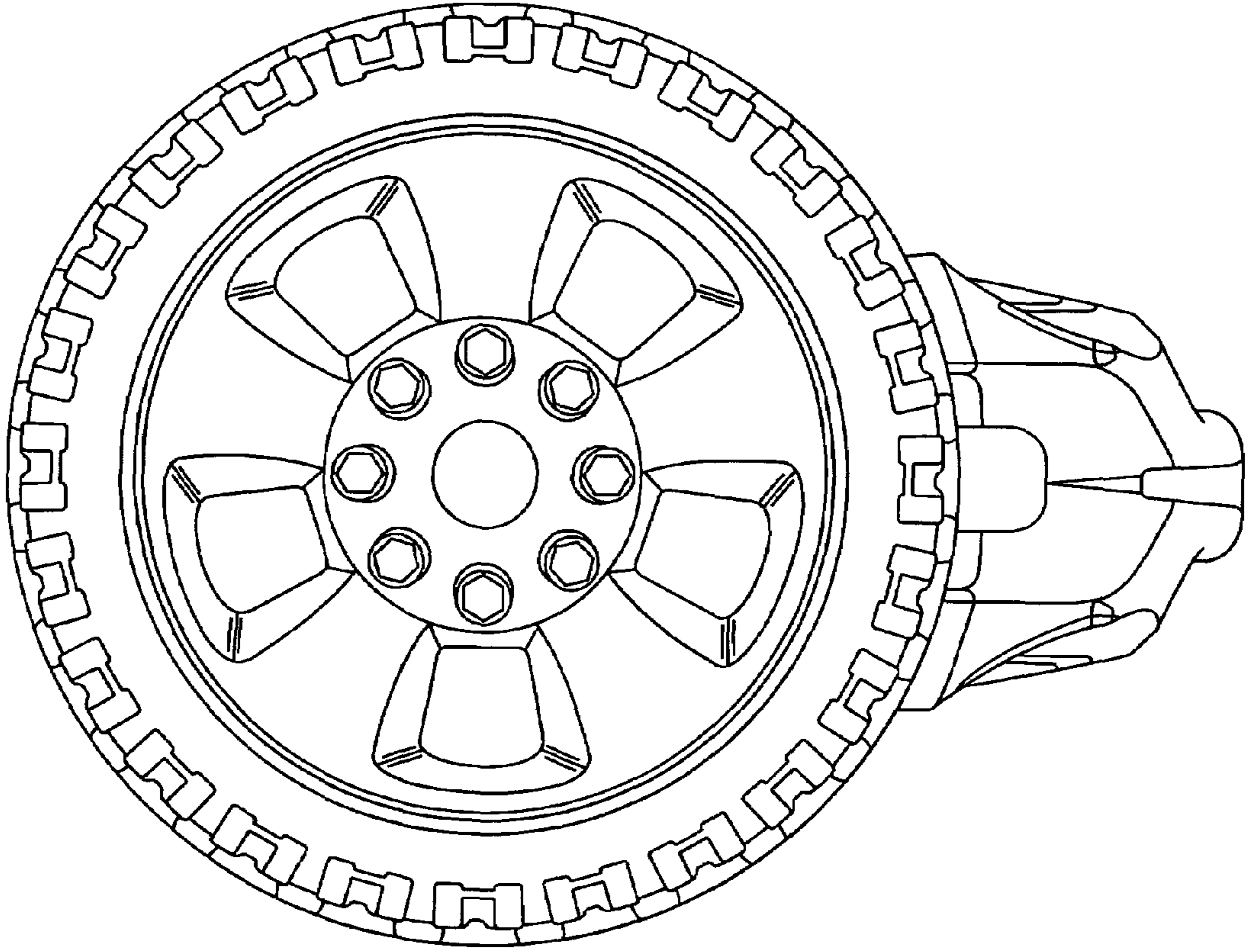


Fig 12