



US00D572969S

(12) **United States Design Patent**  
**Beyeler**

(10) **Patent No.:** **US D572,969 S**  
(45) **Date of Patent:** **\*\* Jul. 15, 2008**

(54) **COOKING POT**

(75) Inventor: **Philipp Beyeler**, Bern (CH)

(73) Assignee: **Kuhn Rikon AG**, Tosstal (CH)

(\*\*) Term: **14 Years**

(21) Appl. No.: **29/252,715**

(22) Filed: **Jan. 26, 2006**

(30) **Foreign Application Priority Data**

Sep. 13, 2005 (CH) ..... 132114

(51) **LOC (8) Cl.** ..... **07-02**

(52) **U.S. Cl.** ..... **D7/360**

(58) **Field of Classification Search** ..... D7/323,  
D7/354, 356-360, 392.1, 538, 542, 545;  
99/324, 326, 339, 357; 126/19 R, 20, 275 R,  
126/275 E, 369, 377; 219/620-622, 385,  
219/386; 220/573.1-574

See application file for complete search history.

(56) **References Cited**

**U.S. PATENT DOCUMENTS**

D374,373 S	*	10/1996	Ito	.....	D7/360
D386,354 S	*	11/1997	Hoekstra	.....	D7/360
D427,483 S	*	7/2000	Geelen et al.	.....	D7/360
D439,104 S	*	3/2001	Thakur	.....	D7/360
D463,201 S	*	9/2002	Mendelson et al.	.....	D7/358
D465,126 S	*	11/2002	Mendelson et al.	.....	D7/358
D471,757 S	*	3/2003	Kitamura et al.	.....	D7/360
D491,011 S	*	6/2004	Park	.....	D7/358
D495,559 S	*	9/2004	Vidal	.....	D7/538

D521,312 S	*	5/2006	Pukall et al.	.....	D7/360
D532,250 S	*	11/2006	Roussard	.....	D7/358
D534,031 S	*	12/2006	Roussard	.....	D7/358

\* cited by examiner

*Primary Examiner*—Caron D. Veynar

*Assistant Examiner*—Ricky Pham

(74) *Attorney, Agent, or Firm*—Wood, Phillips, Katz, Clark & Mortimer

(57) **CLAIM**

The ornamental design for a cooking pot, as shown and described.

**DESCRIPTION**

FIG. 1 is a drawing showing a perspective view of the cooking pot of our new design;

FIG. 2 is a drawing showing a top view of the design shown in FIG. 1;

FIG. 3 is a drawing showing a perspective view of the outer bowl of the cooking pot design shown in FIG. 1, shown separately for ease of illustration;

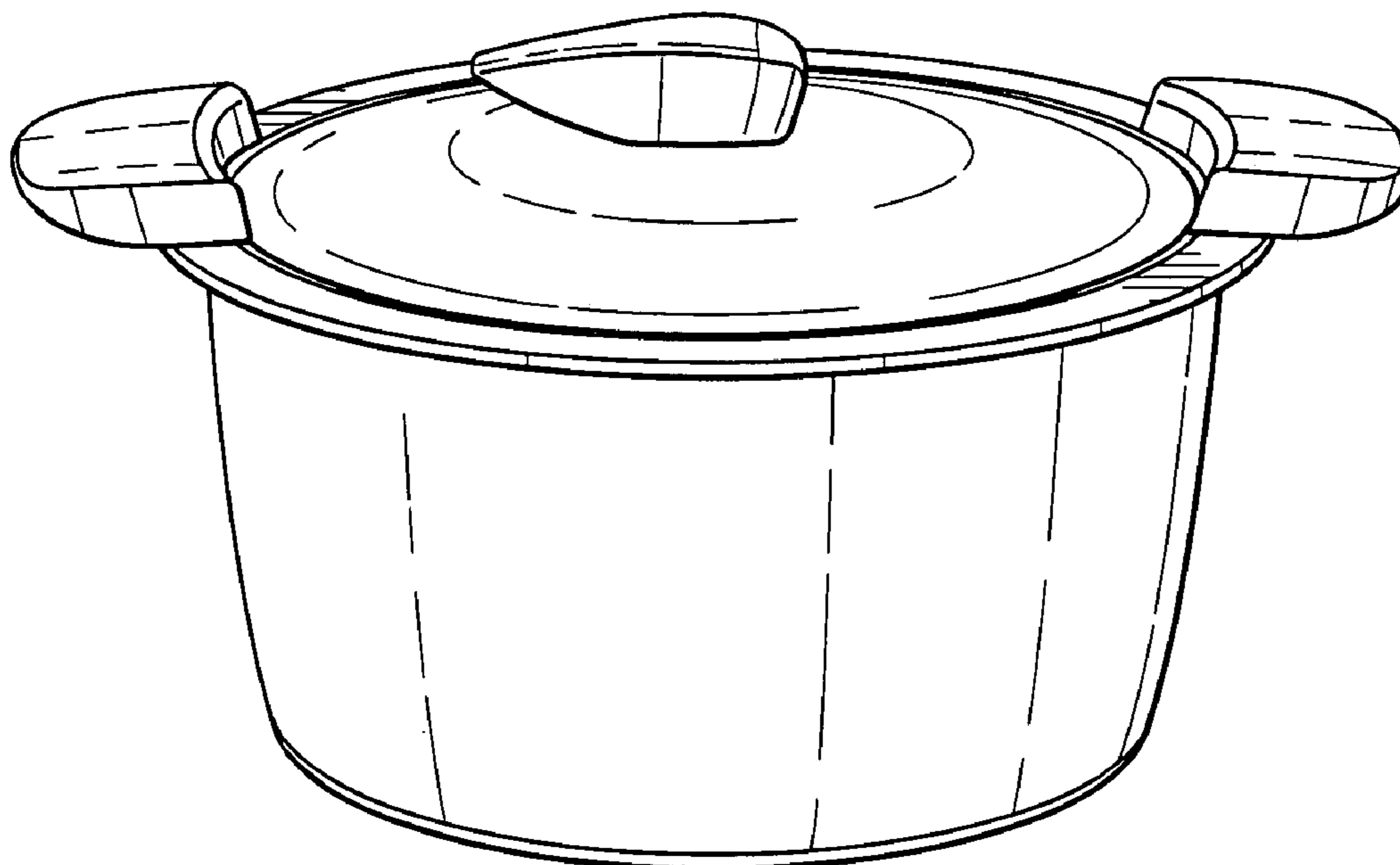
FIG. 4 is a drawing showing a side view of the part shown in FIG. 3;

FIG. 5 is a drawing showing a top view of the part shown in FIG. 3;

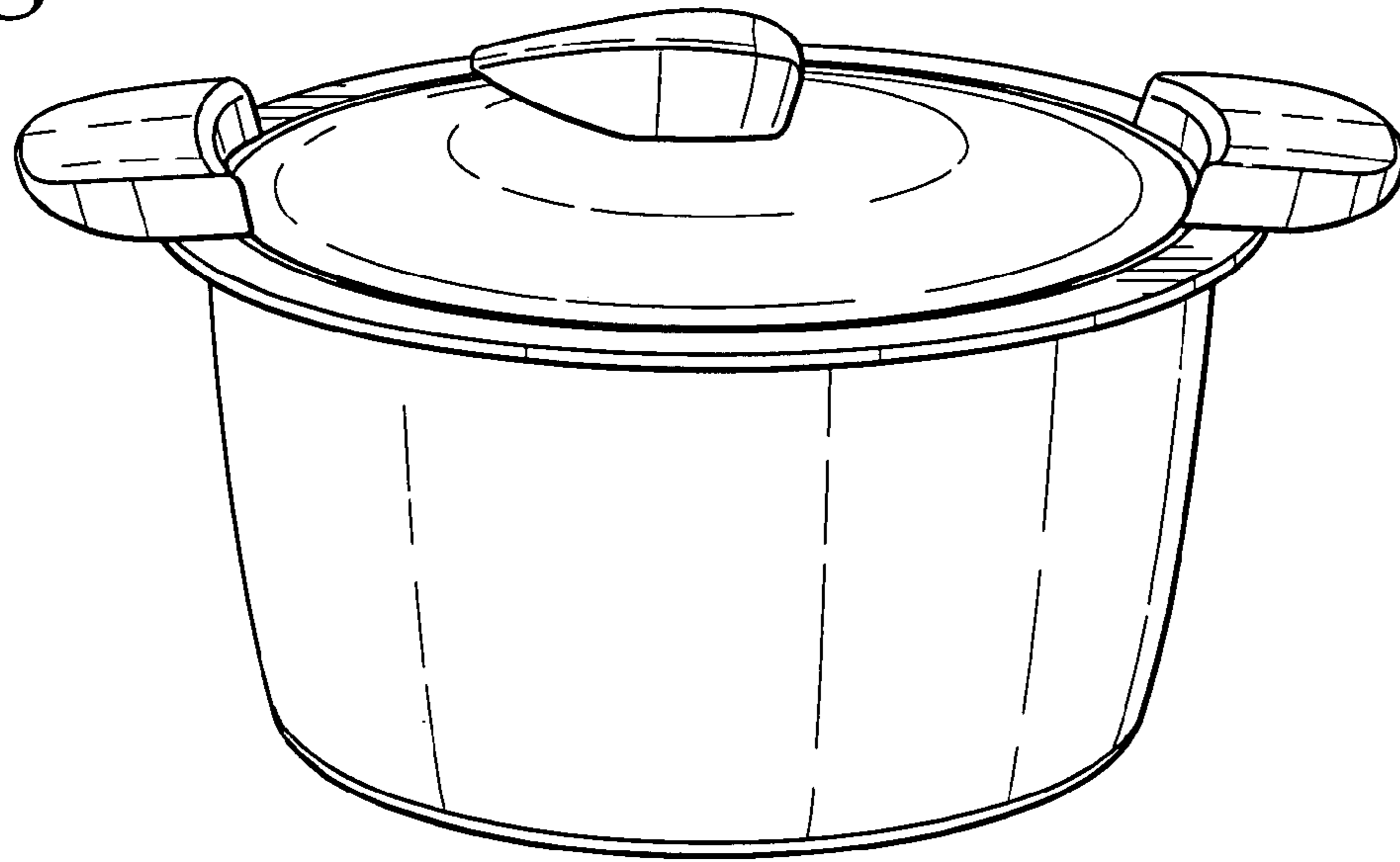
FIG. 6 is a drawing showing a side view of the part shown in FIG. 5; and,

FIG. 7 is a drawing showing a perspective view of the part shown in FIG. 6.

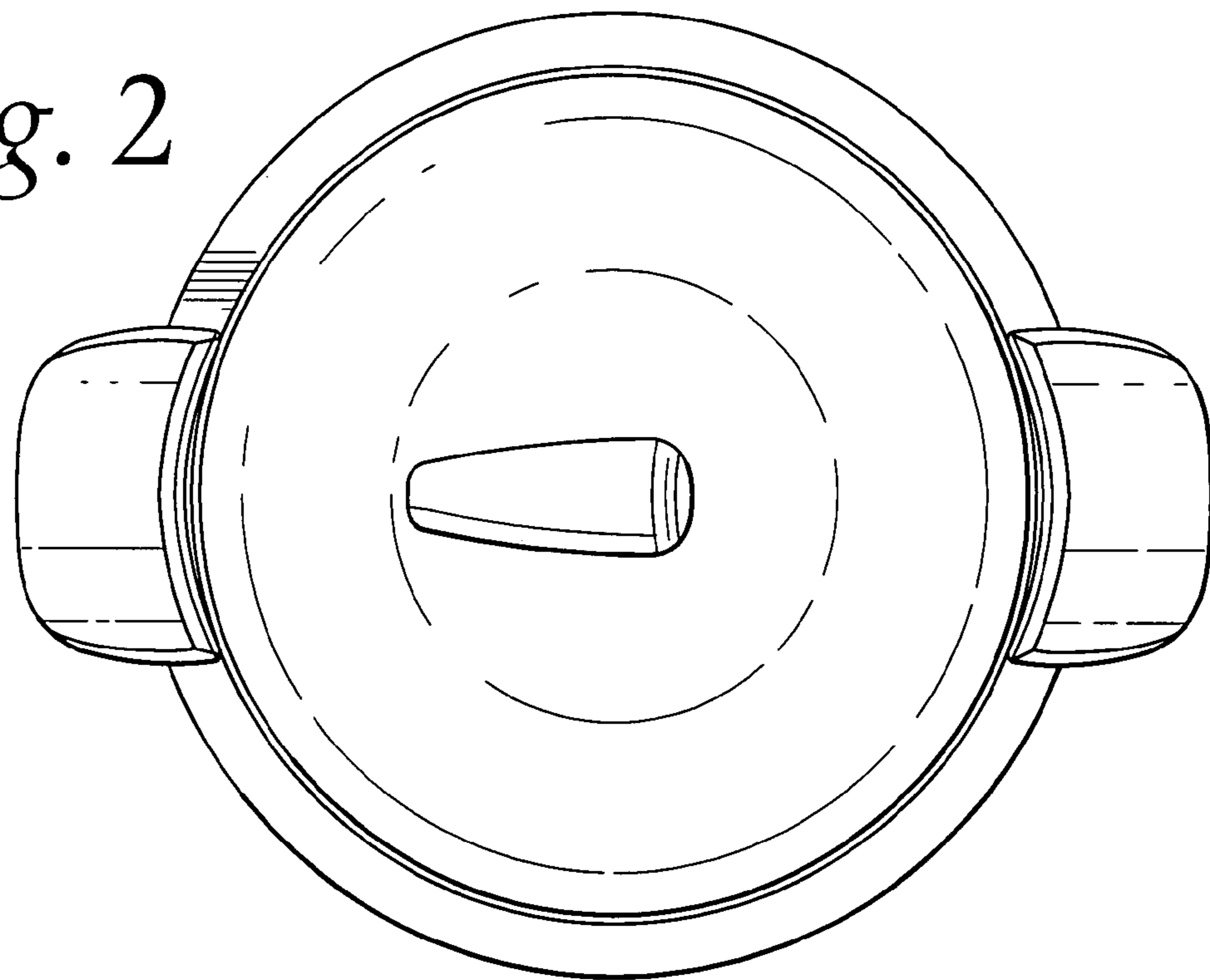
**1 Claim, 4 Drawing Sheets**



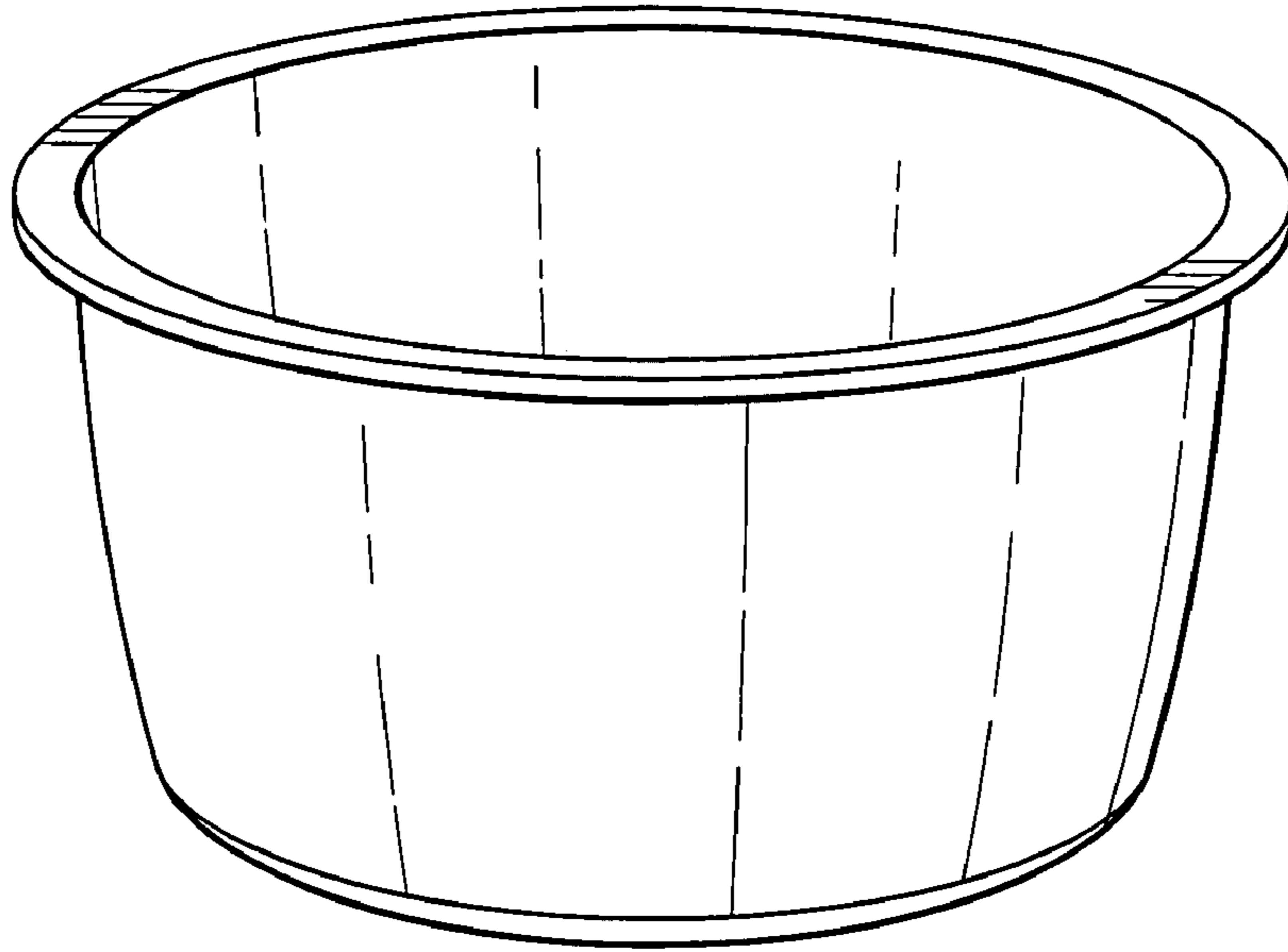
*Fig. 1*



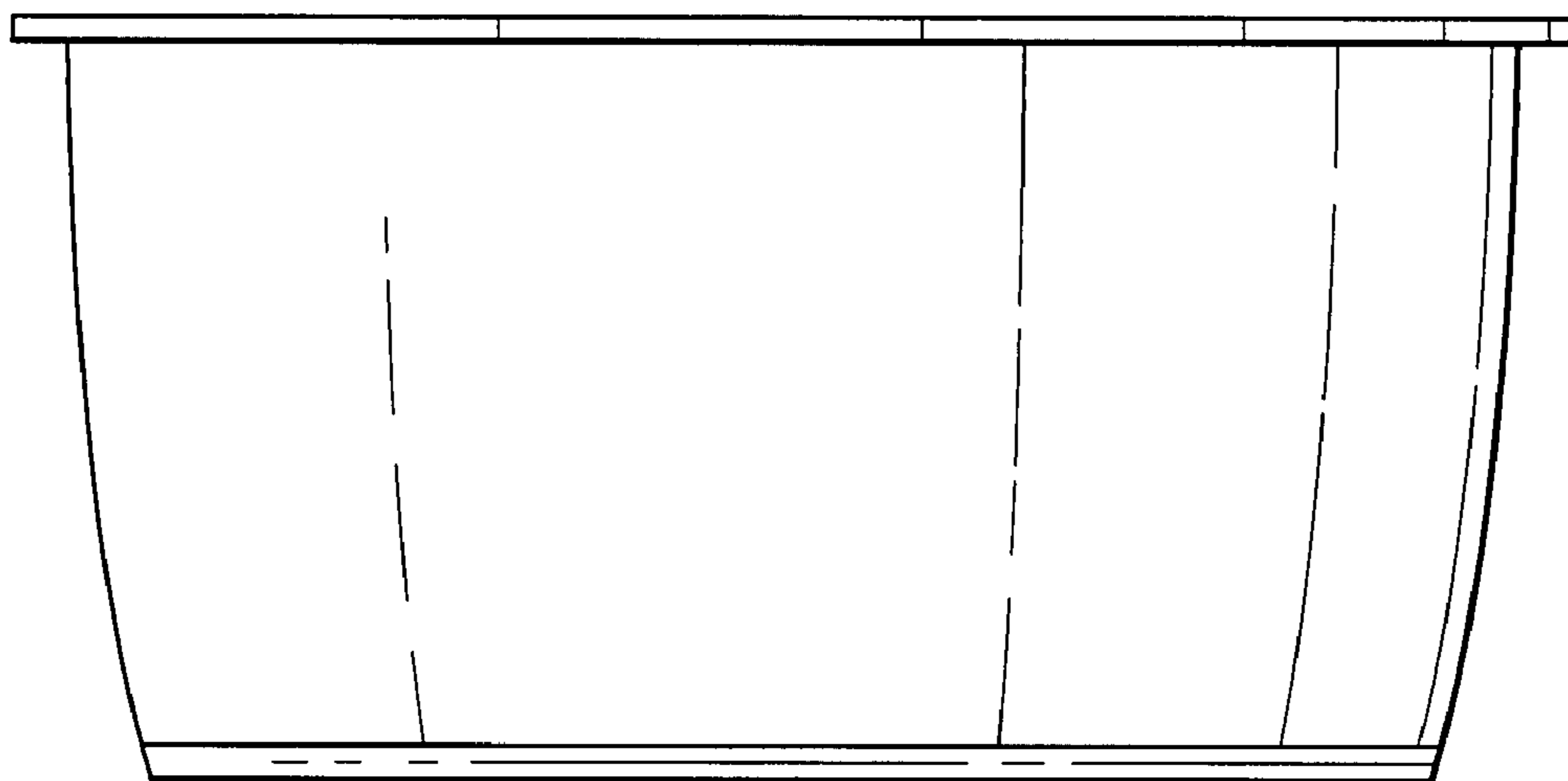
*Fig. 2*



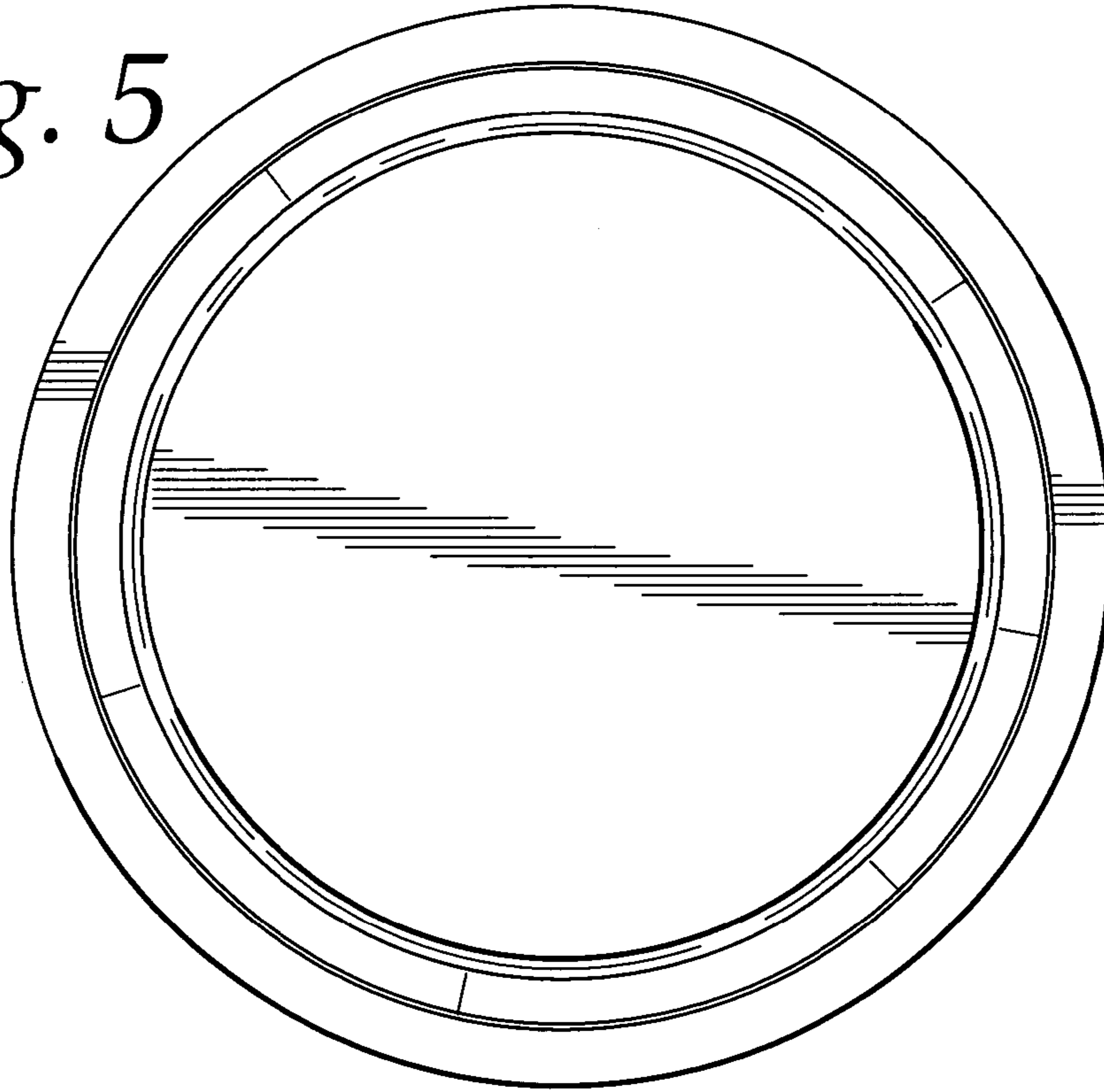
*Fig. 3*



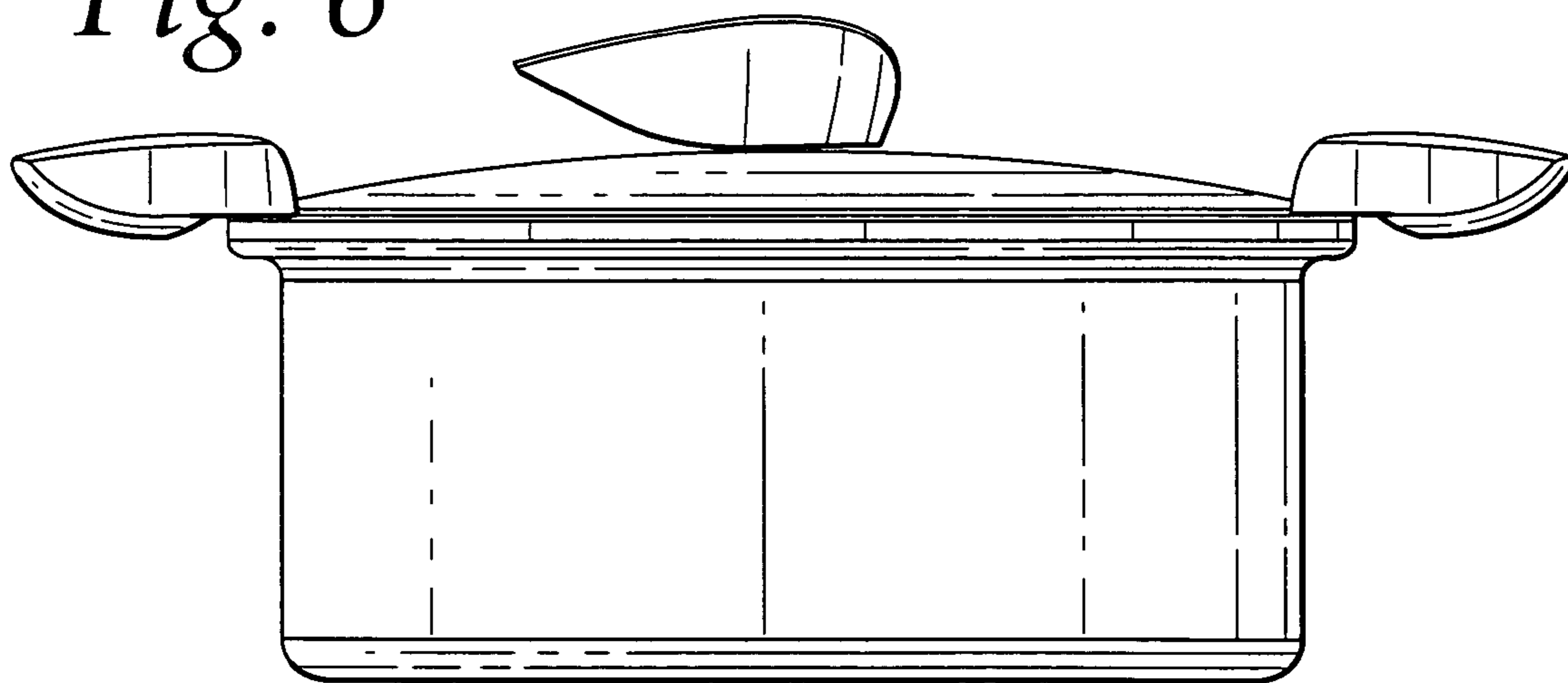
*Fig. 4*



*Fig. 5*



*Fig. 6*



*Fig. 7*

