



US00D572967S

(12) **United States Design Patent**
Thomas

(10) **Patent No.:** **US D572,967 S**
(45) **Date of Patent:** **** Jul. 15, 2008**

(54) **BARBEQUE**

(75) Inventor: **Mark Thomas**, Leichhardt (AU)

(73) Assignee: **Sunbeam Corporation Limited**,
Botany, NSW (AU)

(**) Term: **14 Years**

(21) Appl. No.: **29/293,763**

(22) Filed: **Dec. 11, 2007**

(30) **Foreign Application Priority Data**

Jun. 12, 2007 (NZ) 409274

(51) **LOC (8) Cl.** **07-02**

(52) **U.S. Cl.** **D7/337**

(58) **Field of Classification Search** D7/332,
D7/334, 335, 336, 402-405; 126/25 R, 25 A,
126/25 AA, 9 R, 37 R, 41 R, 40, 50, 304 R,
126/305, 268, 276; 312/249.8, 249.13
See application file for complete search history.

(56) **References Cited**

U.S. PATENT DOCUMENTS

1,531,405 A	3/1925	Lehman
2,559,710 A	7/1951	Danielsen
6,182,560 B1	2/2001	Andress
6,513,515 B1	2/2003	Wu
6,606,987 B2	8/2003	DeMars
6,699,036 B2	3/2004	Schlosser
D503,582 S	4/2005	Johnson
D503,587 S	4/2005	Johnson

6,910,476 B2	6/2005	Johnson	
D510,680 S	10/2005	Johnson	
D511,433 S *	11/2005	Zhang D7/337
6,976,485 B2	12/2005	Johnson	
6,981,497 B2	1/2006	DeMars	
D521,797 S *	5/2006	Huang D7/337
D525,819 S *	8/2006	Chung D7/337
D549,036 S *	8/2007	Chung D7/337

* cited by examiner

Primary Examiner—Ruth McInroy

(74) *Attorney, Agent, or Firm*—King & Spalding LLP

(57) **CLAIM**

The ornamental design for a barbeque, as shown and described.

DESCRIPTION

FIG. 1 is a front perspective view of the barbeque with the lid open;

FIG. 2 is a front perspective view of the barbeque with the lid closed;

FIG. 3 is a rear perspective view of the barbeque with the lid closed;

FIG. 4 is a front view of the barbeque with the lid closed;

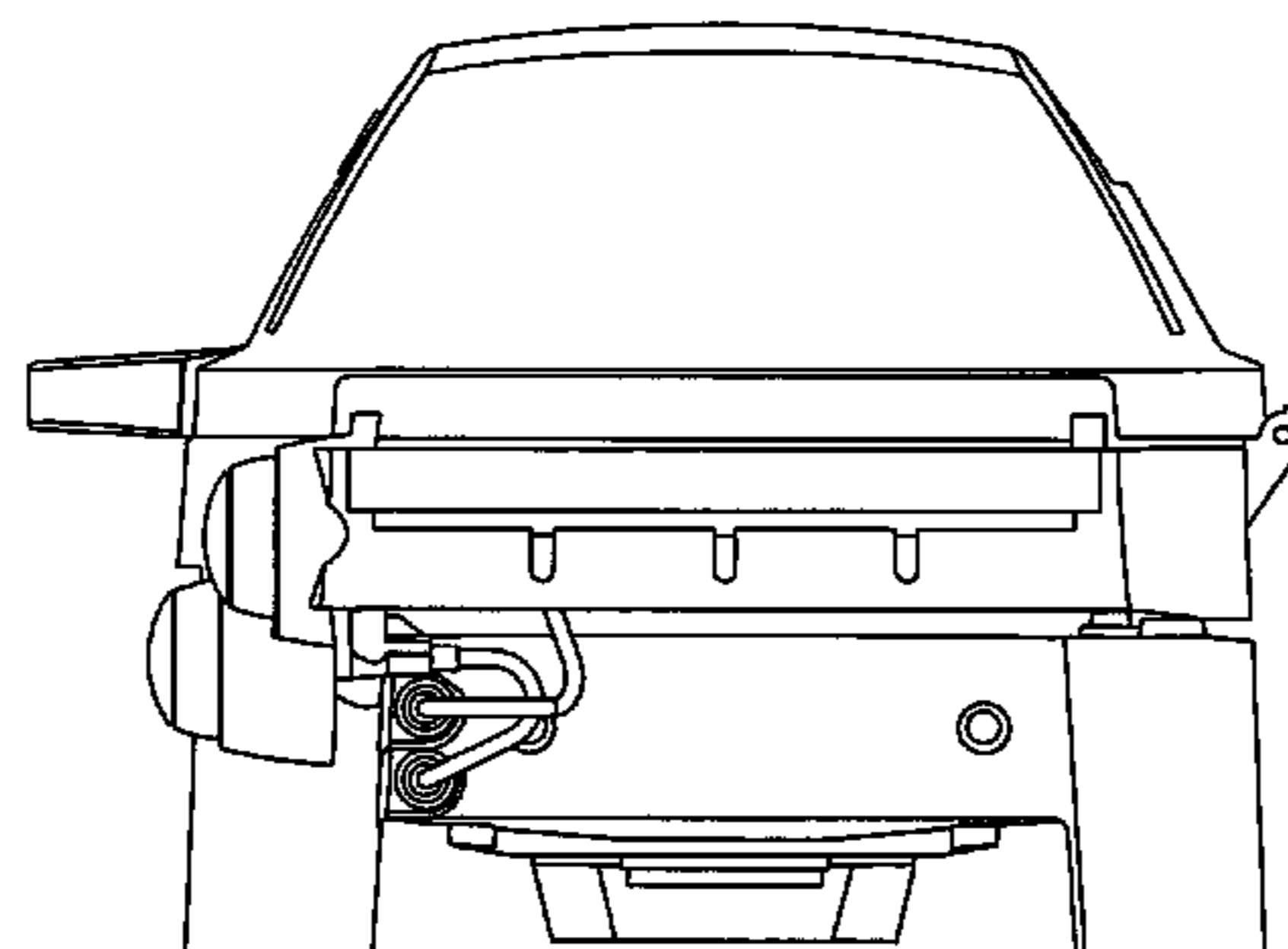
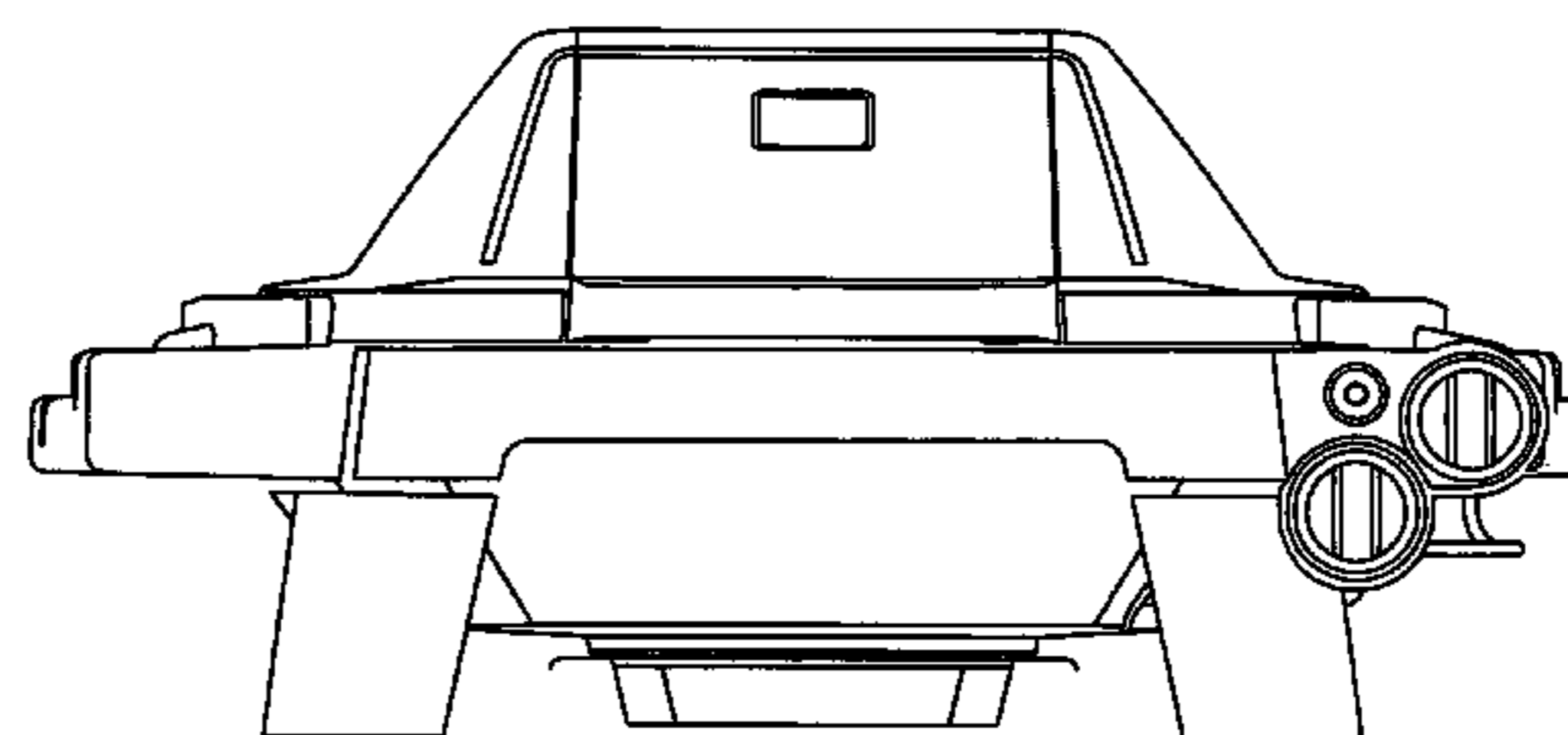
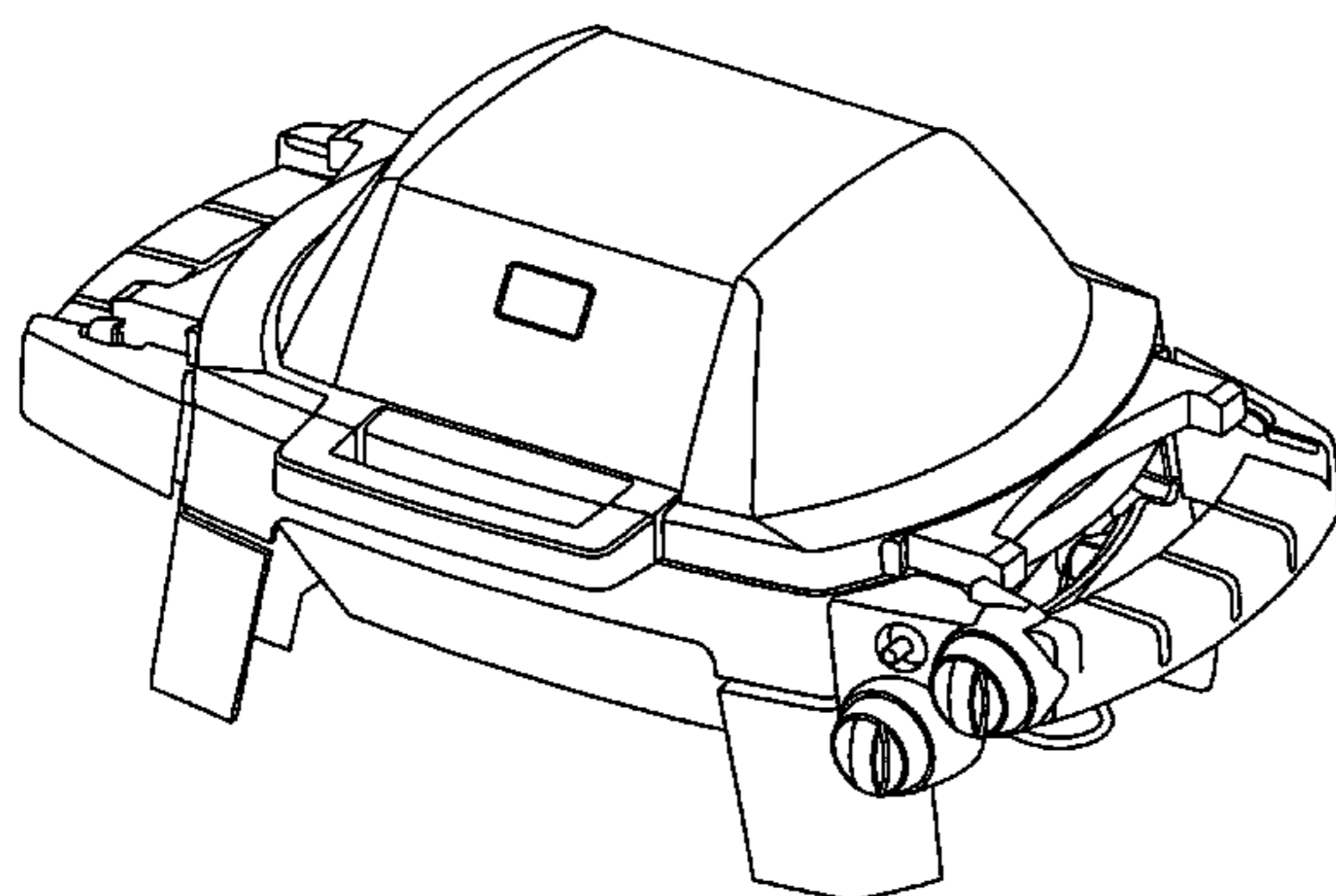
FIG. 5 is a right side view of the barbeque with the lid closed;

FIG. 6 is a left side view of the barbeque with the lid closed;

FIG. 7 is a top view of the barbeque with the lid closed; and,

FIG. 8 is an underside view of the barbeque with the lid closed.

1 Claim, 8 Drawing Sheets



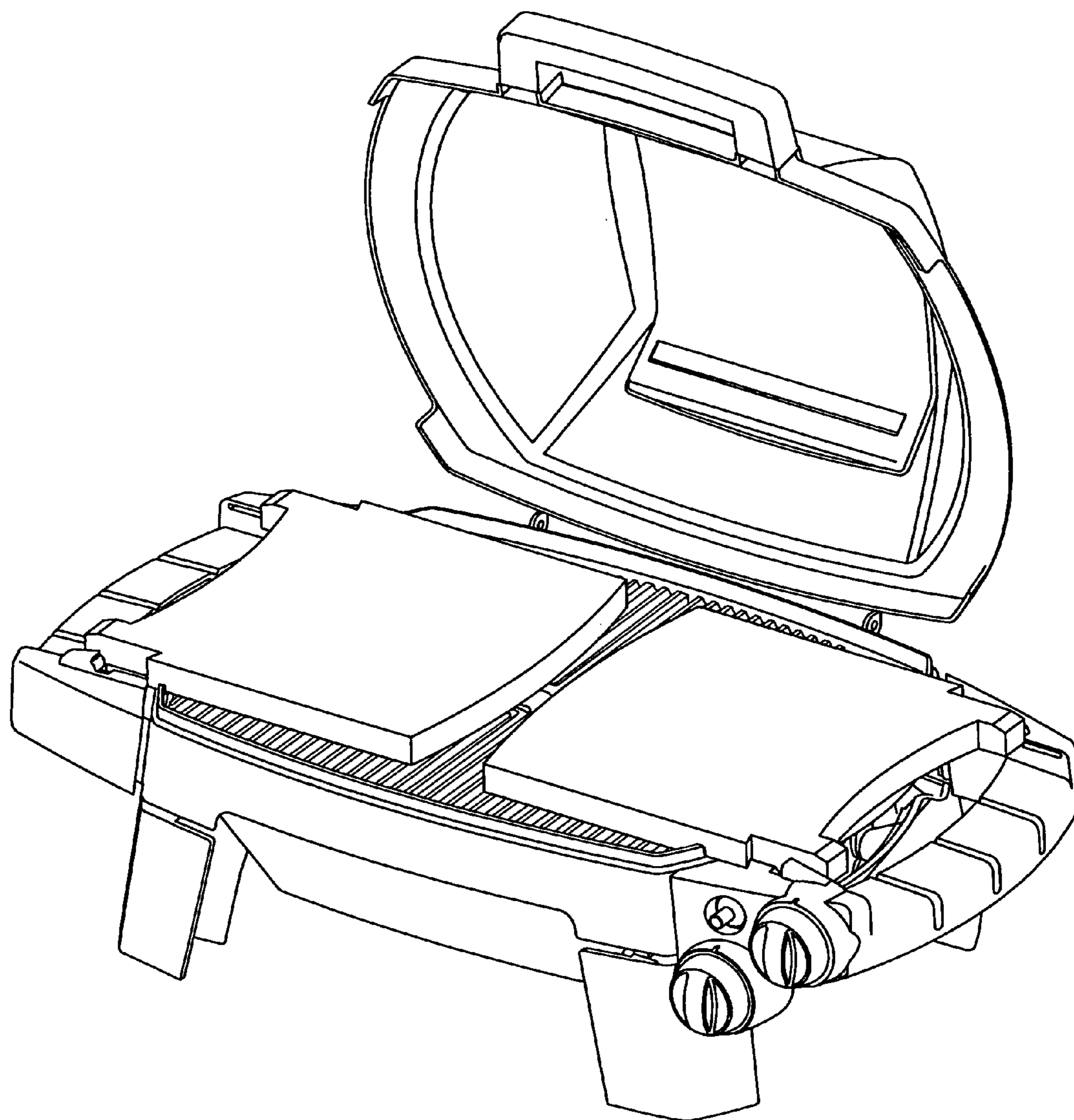


FIG. 1

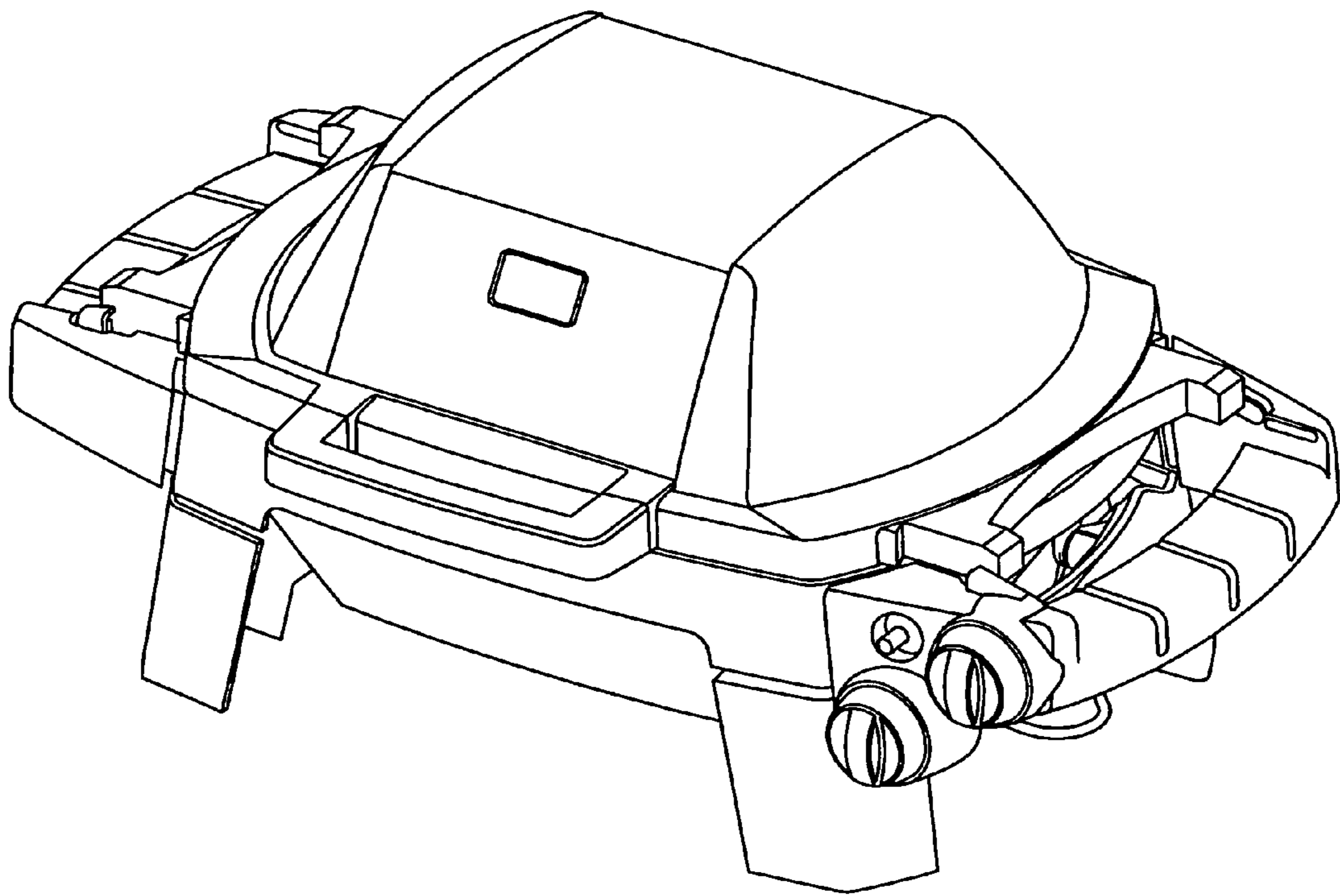


FIG. 2

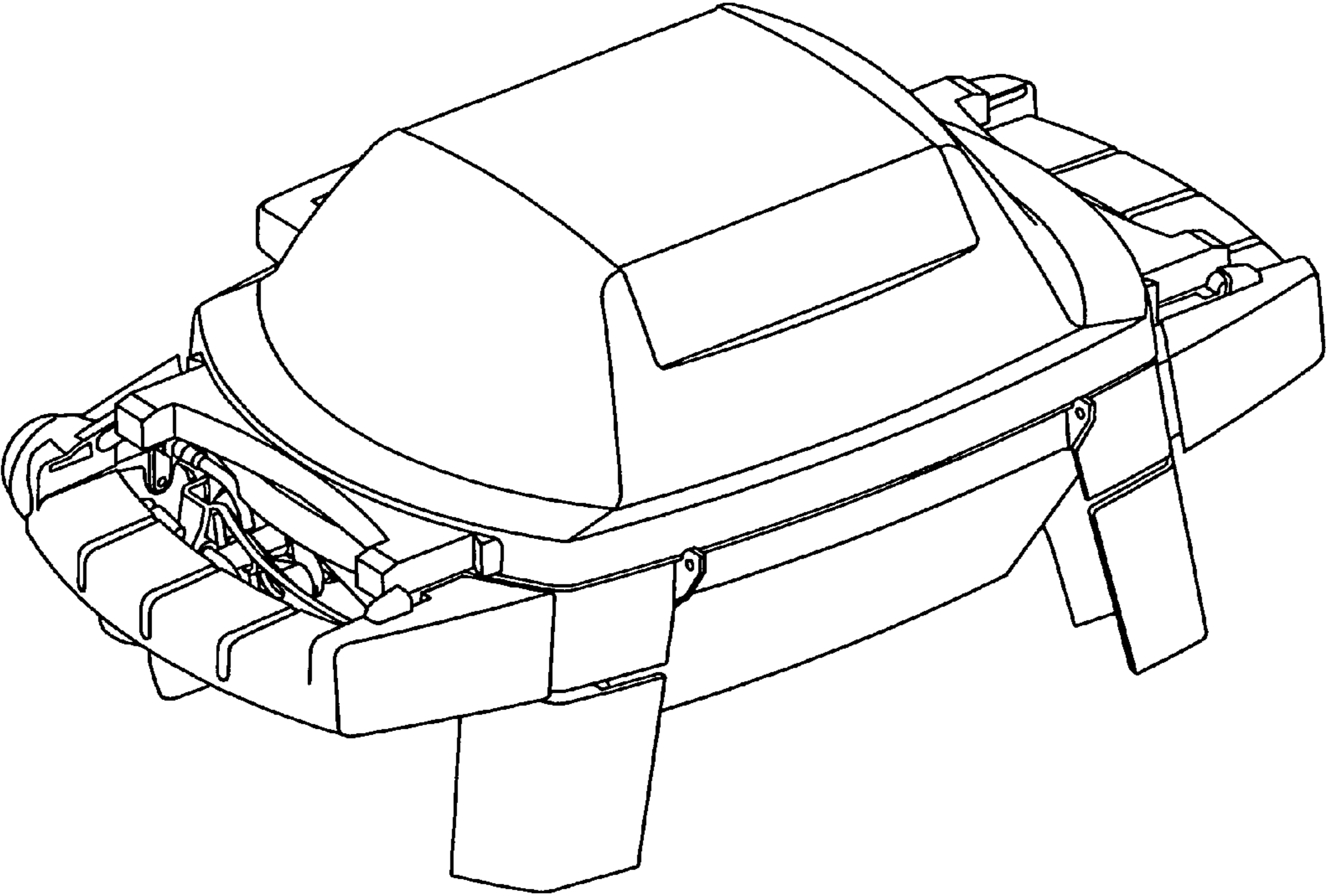


FIG. 3

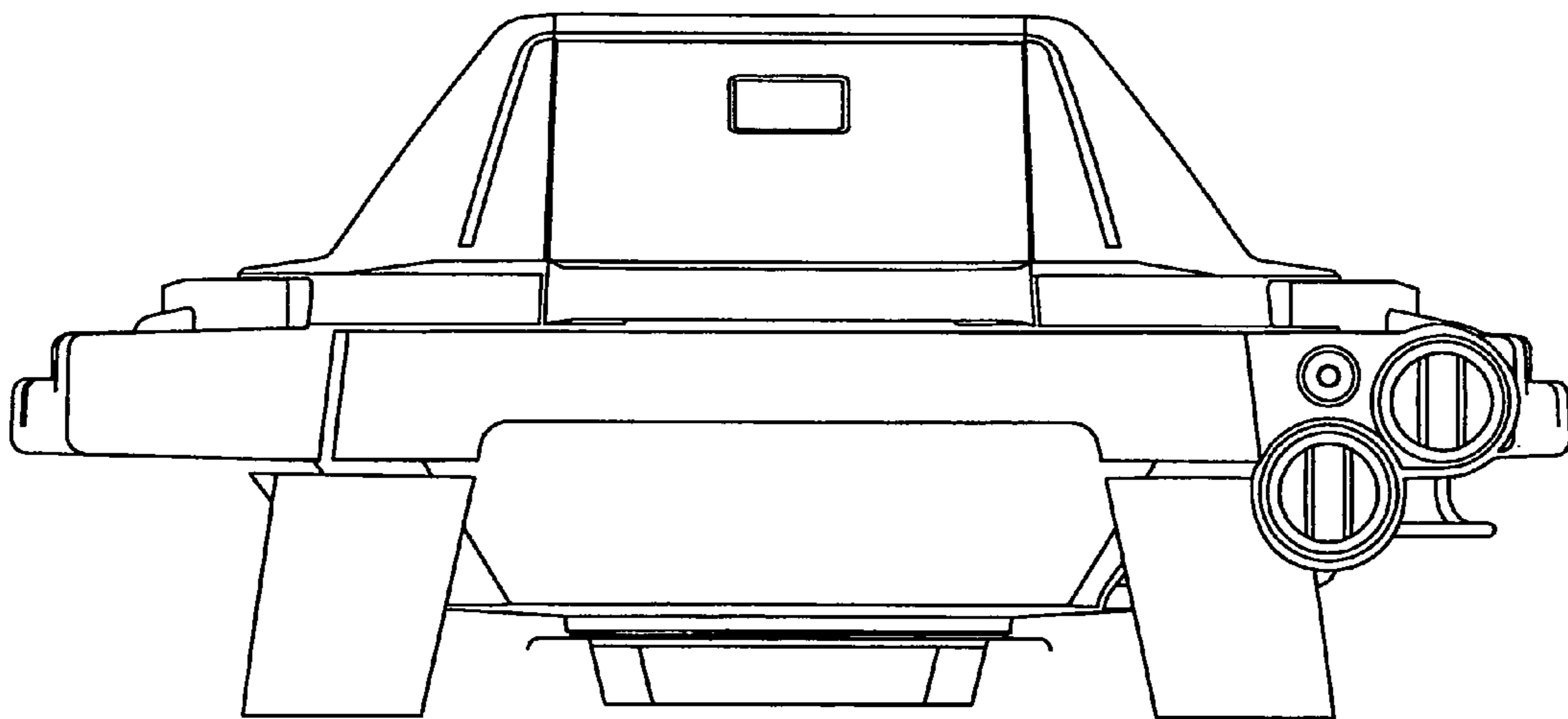


FIG. 4

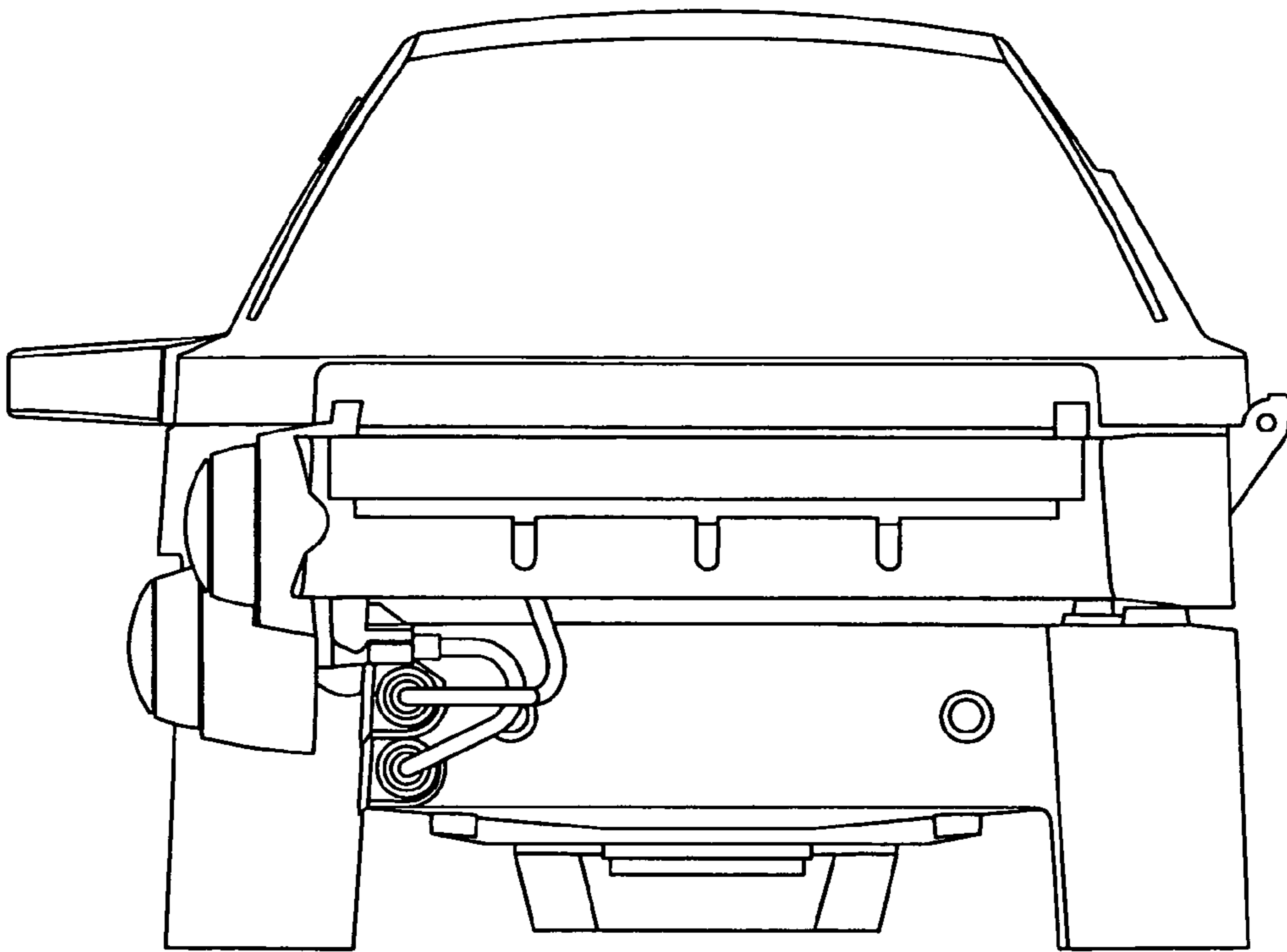


FIG. 5

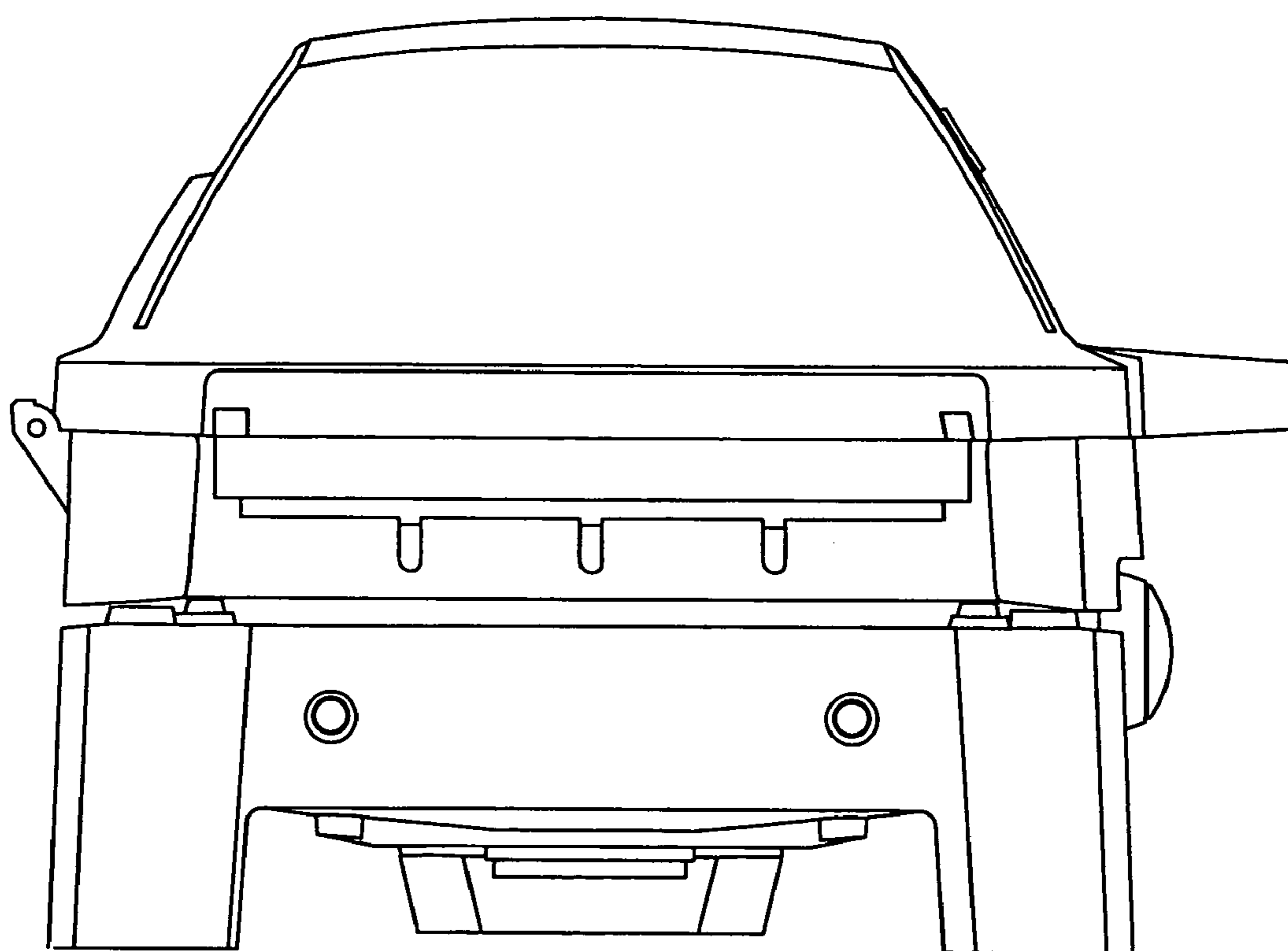


FIG. 6

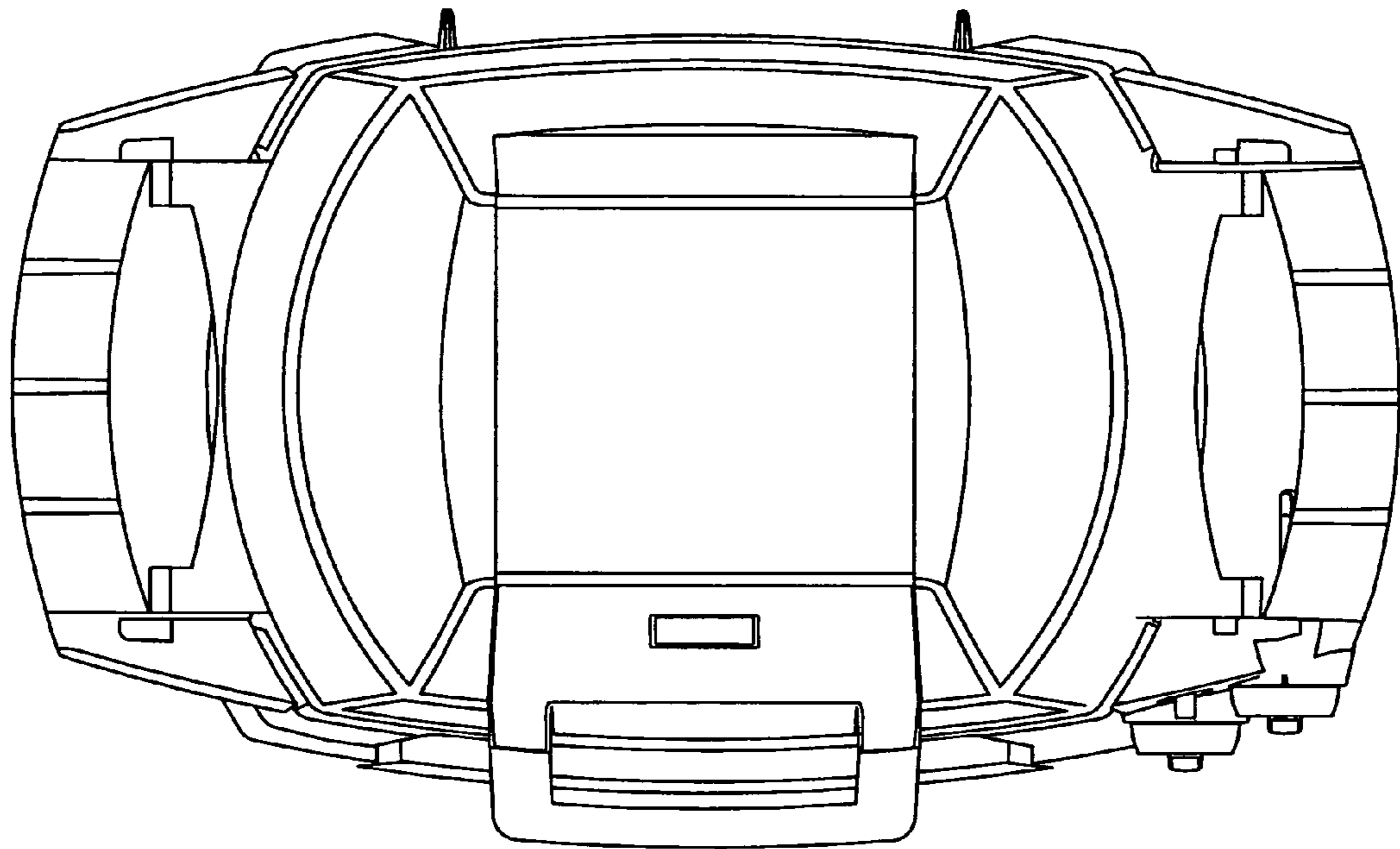


FIG. 7

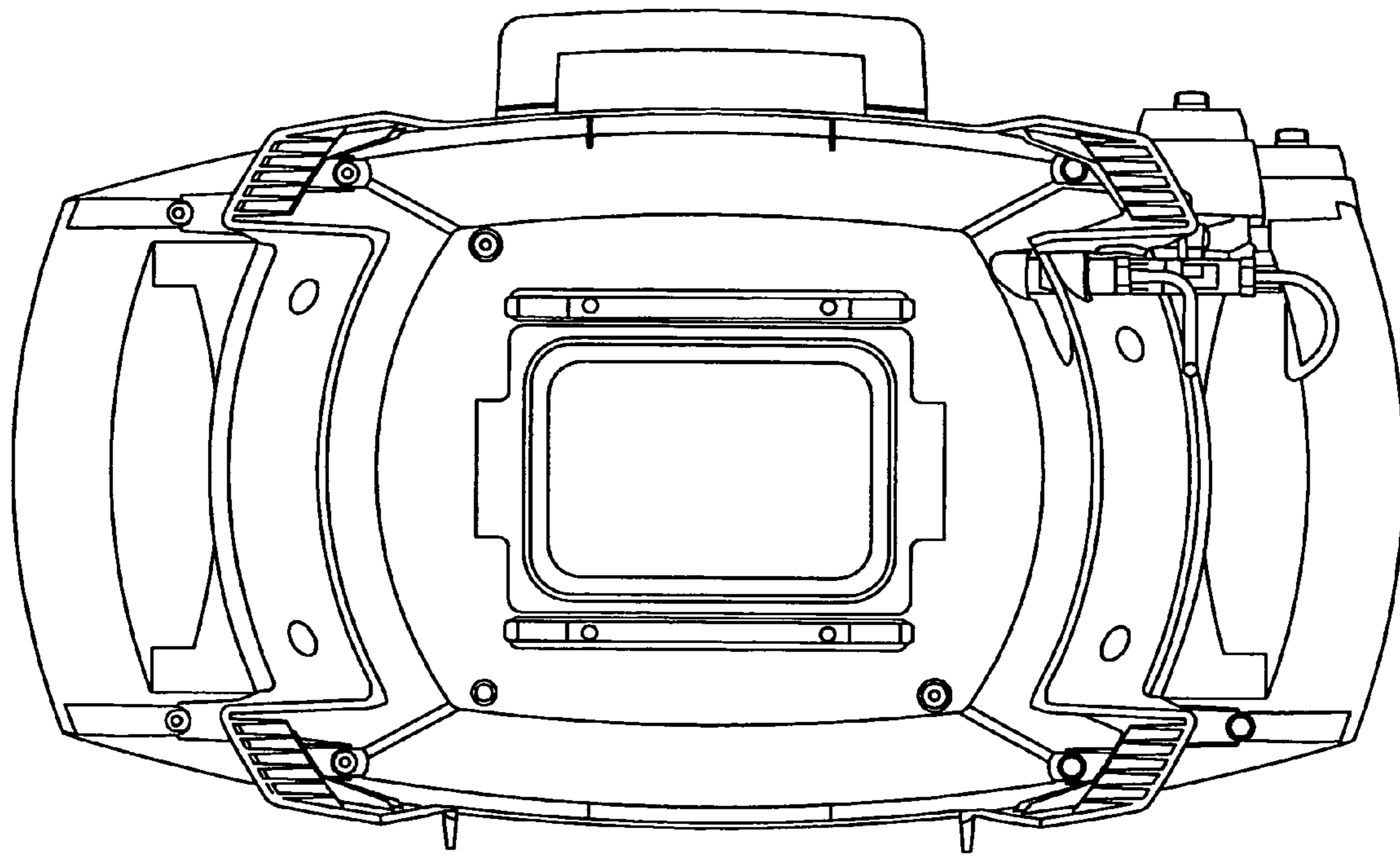


FIG. 8