

US00D572962S

(12) **United States Design Patent**
Freitag et al.

(10) **Patent No.:** **US D572,962 S**
(45) **Date of Patent:** **** Jul. 15, 2008**

(54) **DISC PACKAGE**

(75) Inventors: **Kenny Freitag**, Cheshire, MA (US);
John A. Gelardi, Kennebunkport, ME (US)

(73) Assignee: **MeadWestVaco Corporation**, Glen Allen, VA (US)

(**) Term: **14 Years**

(21) Appl. No.: **29/275,341**

(22) Filed: **Dec. 21, 2006**

- D420,240 S * 2/2000 Sorenson et al. D6/632
- D422,428 S * 4/2000 Pijanowski et al. D6/407
- D422,445 S 4/2000 Markowitz
- D437,505 S 2/2001 Fraser et al.
- D440,108 S 4/2001 Derman
- D450,973 S 11/2001 Bieda
- D452,104 S 12/2001 Tang
- D452,105 S 12/2001 Chan
- D452,793 S 1/2002 Lee
- D453,081 S 1/2002 Yu
- D456,201 S 4/2002 Hummell et al.
- D459,935 S 7/2002 Takahashi et al.
- 6,412,631 B2 * 7/2002 Belden, Jr. 206/308.1

(Continued)

Related U.S. Application Data

(63) Continuation of application No. 29/246,672, filed on May 2, 2006, now Pat. No. Des. 563,141, and a continuation of application No. 29/251,743, filed on Jan. 12, 2006, now Pat. No. Des. 557,546.

(51) **LOC (8) Cl.** **06-02**

(52) **U.S. Cl.** **D6/634**

(58) **Field of Classification Search** D6/407,
D6/626-635; D3/273, 294, 295, 299-301,
D3/303; 206/209, 310-313, 751; 211/40,
211/41.1, 41.12

See application file for complete search history.

(56) **References Cited**

U.S. PATENT DOCUMENTS

- D286,463 S 11/1986 Sfikas
- D324,609 S 3/1992 Yasuhara et al.
- D325,468 S 4/1992 Ohba
- D335,215 S 5/1993 Stumpff
- D347,728 S 6/1994 Taniyama
- D375,015 S 10/1996 Kobayashi et al.
- D375,864 S 11/1996 Taniyama
- D391,437 S 3/1998 Moore et al.
- D392,500 S 3/1998 McEwan
- D395,190 S 6/1998 Roth et al.
- D401,463 S 11/1998 Cheris et al.
- D406,719 S 3/1999 Clausen
- D419,359 S 1/2000 Eguchi et al.

Primary Examiner—Charles A. Rademaker

Assistant Examiner—Charles D Hanson

(57) **CLAIM**

The ornamental design for a disc package, as shown and described.

DESCRIPTION

This application is also related to U.S. patent application Ser. No. 29/251,763, U.S. patent application Ser. No. 29/251,742, and U.S. patent application Ser. No. 29/251,744 all of which were filed on Jan. 12, 2006.

FIG. 1 is a top perspective view of a disc package showing our new design;

FIG. 2 is a plan view of the disc package of FIG. 1;

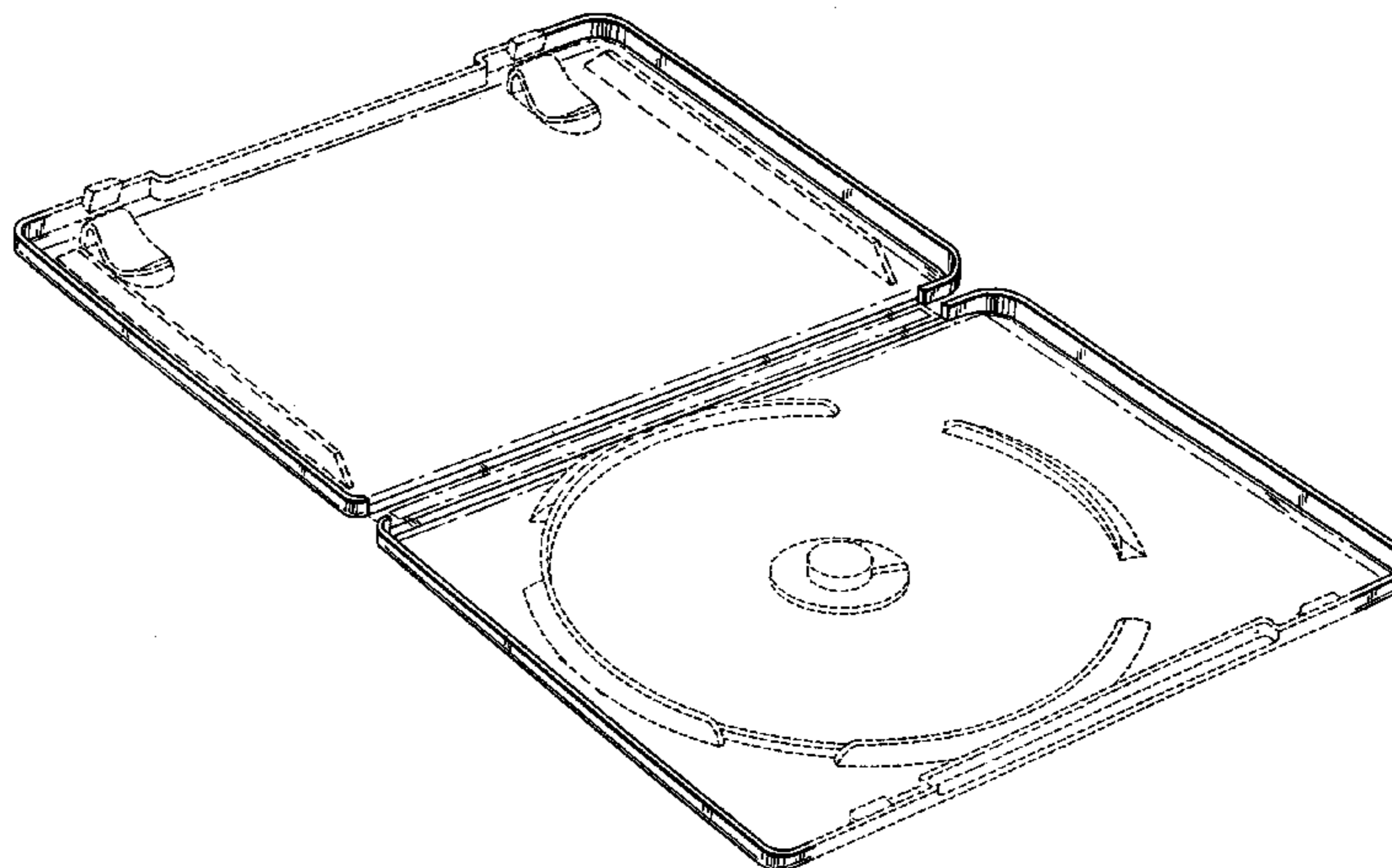
FIG. 3 is a plan view of the interior of the disc package of FIG. 1 in an open position;

FIG. 4 is a perspective view of the interior of the disc package of FIG. 1 in an open position; and,

FIG. 5 is a plan view of the exterior of the disc package of FIG. 1 in an open position.

The dash-dash broken lines which illustrate unclaimed structure and the dot-dash broken lines which define the bounds of the claimed design form no part thereof.

1 Claim, 4 Drawing Sheets



US D572,962 S

Page 2

U.S. PATENT DOCUMENTS

D465,960 S 11/2002 Yau
D470,707 S 2/2003 Lopez Mas
D481,251 S 10/2003 Yau
D484,352 S 12/2003 Palmer
D492,535 S 7/2004 Hiramatsu

D495,913 S 9/2004 Hsiao
D505,565 S * 5/2005 Chen D6/407
D518,676 S 4/2006 Lee et al.
7,044,296 B2 * 5/2006 Solling 206/308.2
D522,791 S * 6/2006 Ho D6/634
* cited by examiner

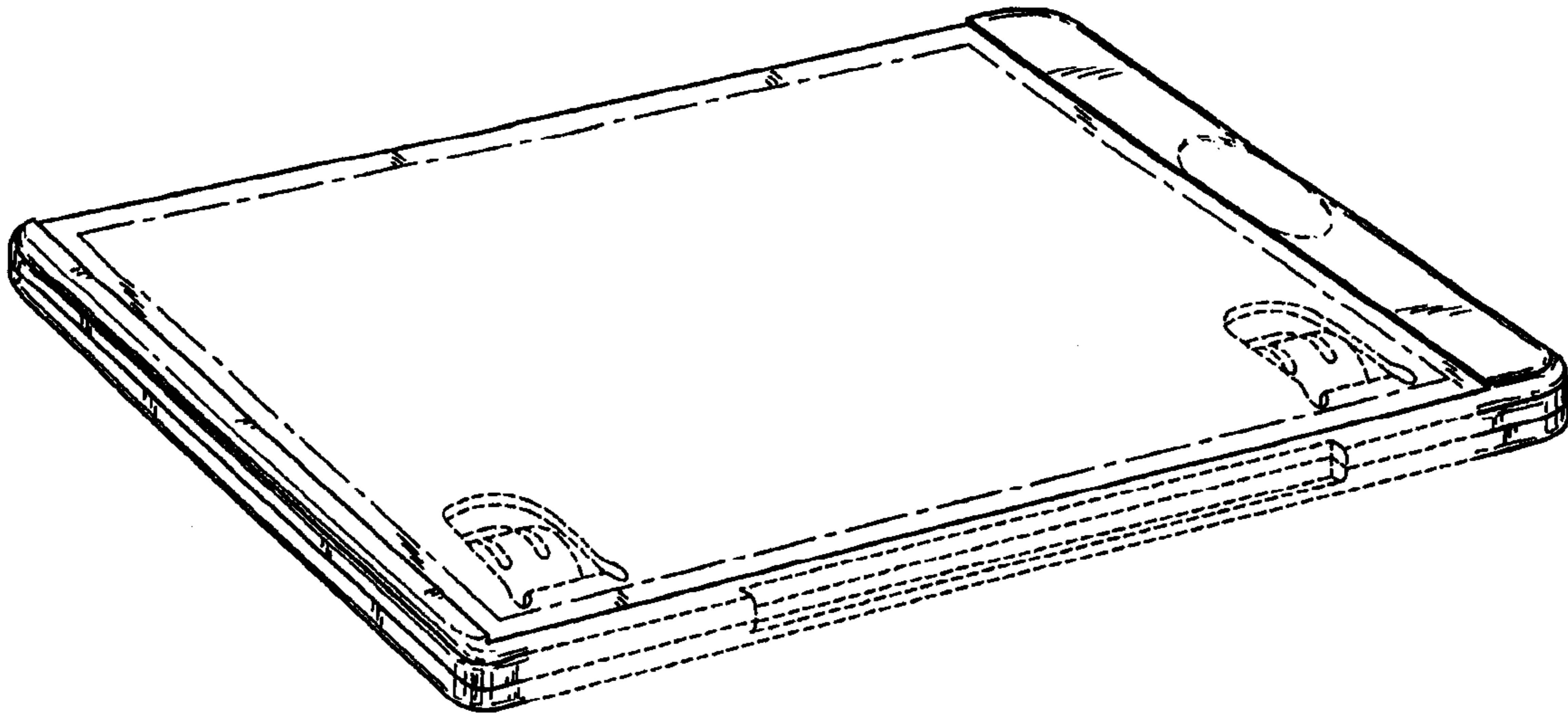


FIG. 1

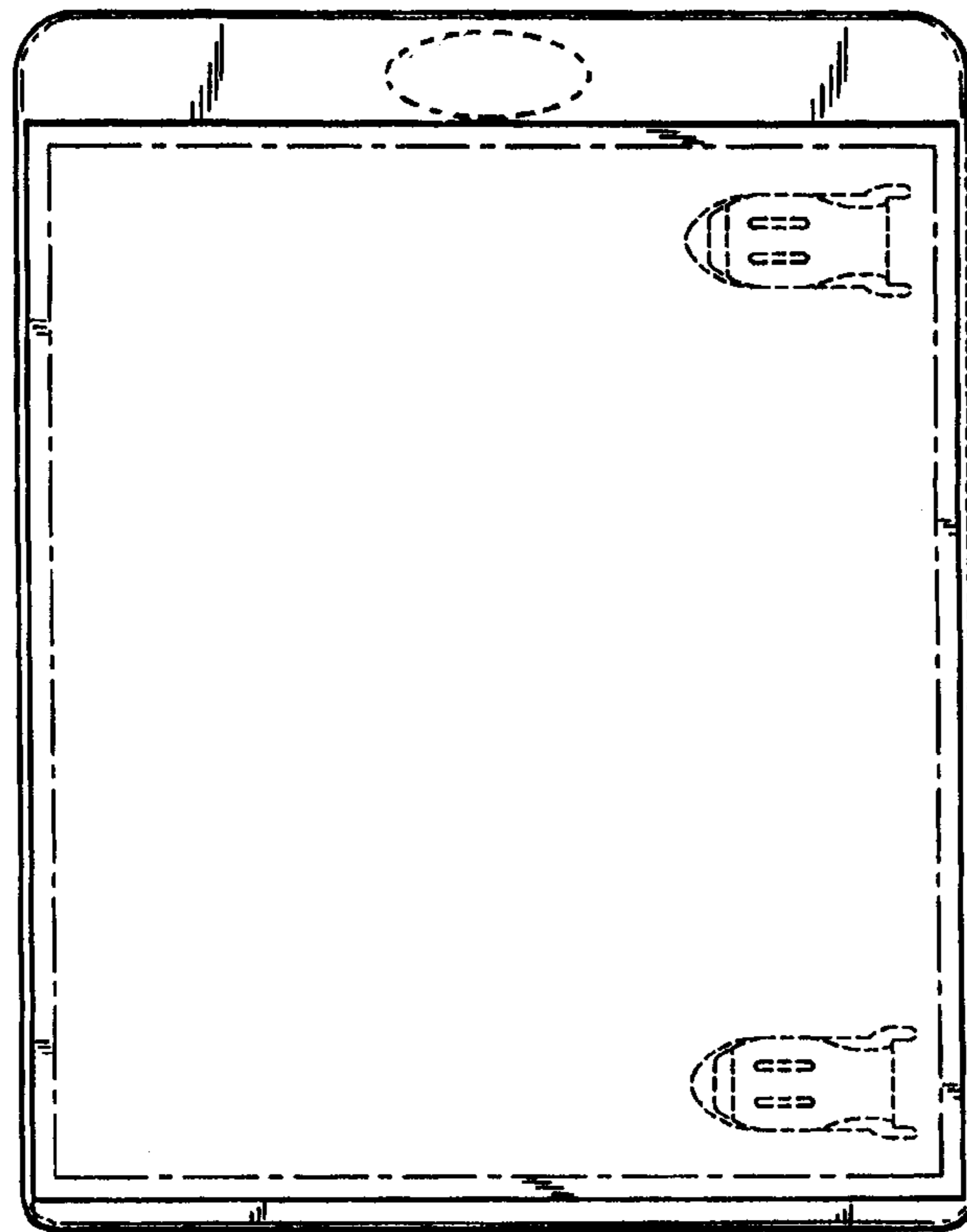


FIG. 2

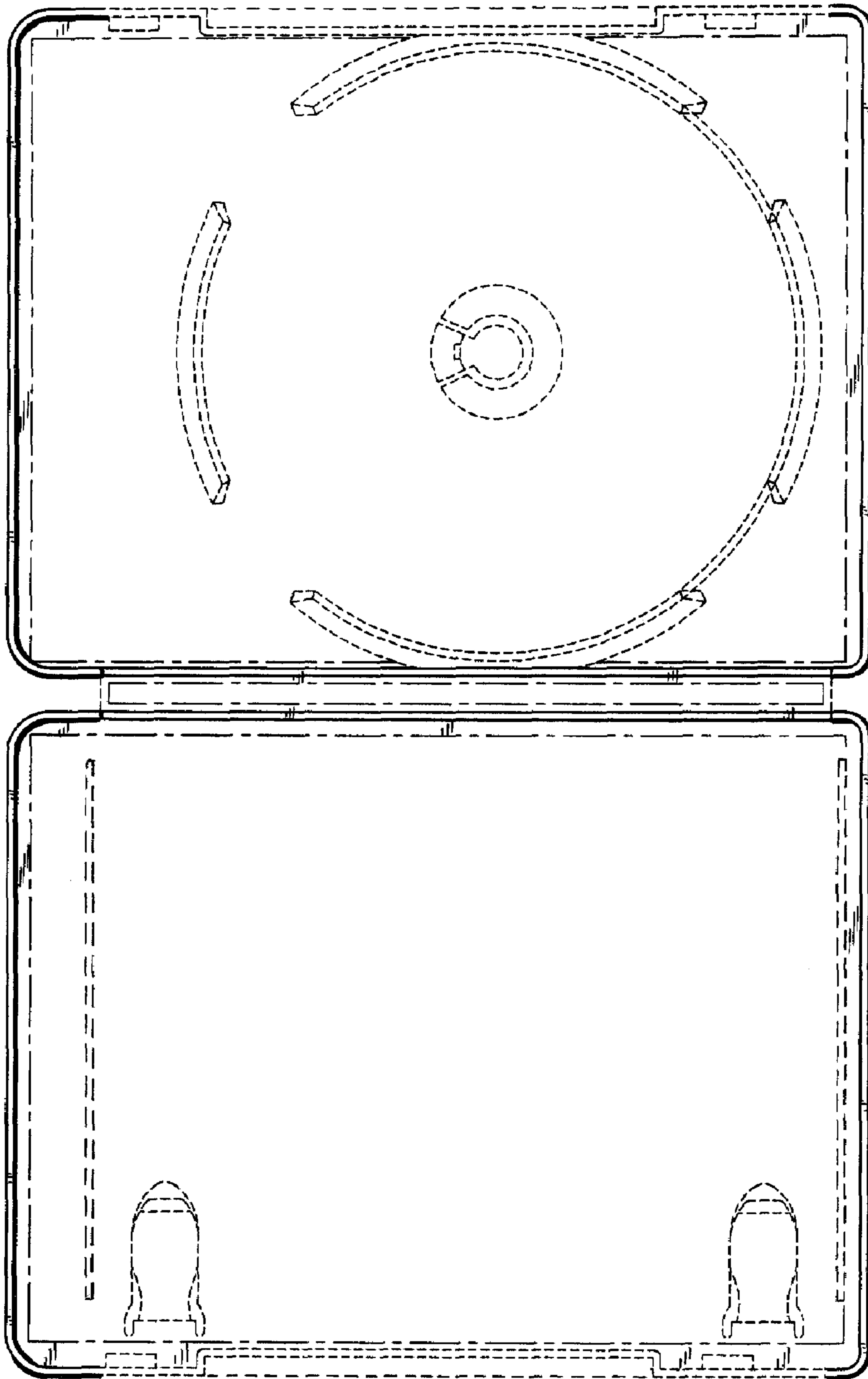


FIG.3

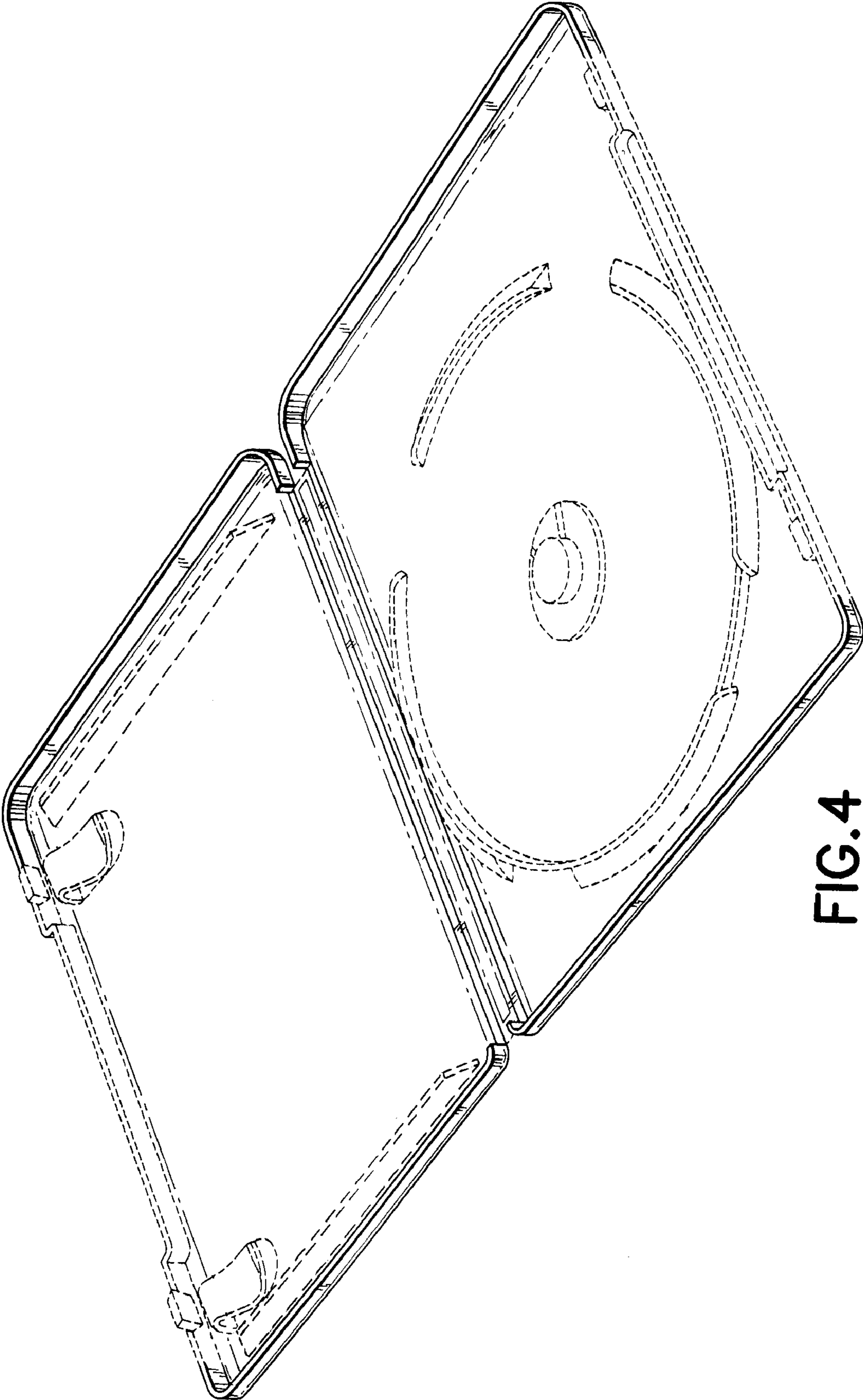


FIG.4

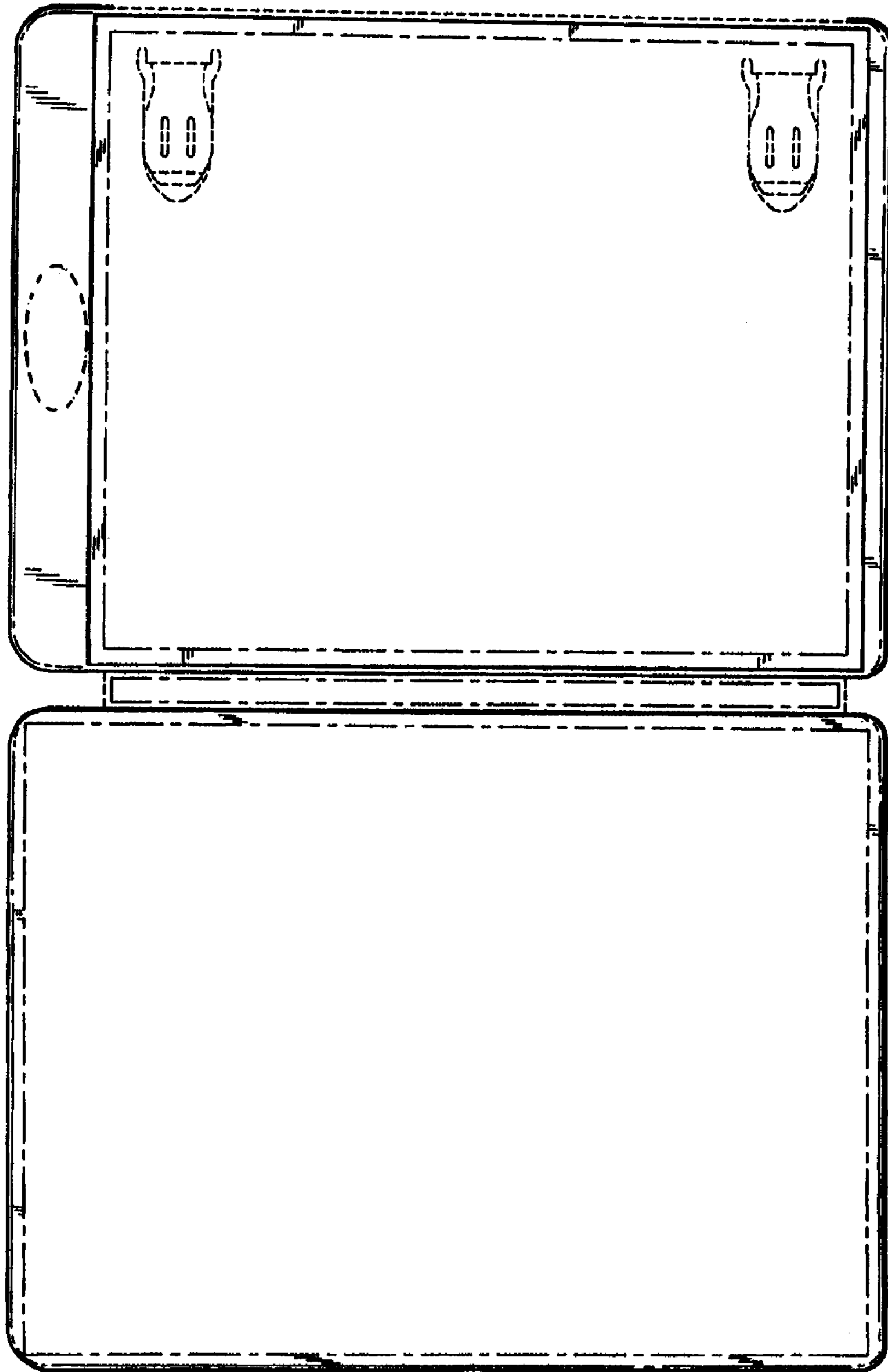


FIG. 5

UNITED STATES PATENT AND TRADEMARK OFFICE
Certificate

Patent No. D. 572,962 S

Patented: July 15, 2008

On petition requesting issuance of a certificate for correction of inventorship pursuant to 35 U.S.C. 256, it has been found that the above identified patent, through error and without any deceptive intent, improperly sets forth the inventorship.

Accordingly, it is hereby certified that the correct inventorship of this patent is: Kenny Freitag, Cheshire, MA (US); John A. Gelardi, Kennebunkport, ME (US); and Andrew Siditsky, Simi Valley, CA (US).

Signed and Sealed this Sixth Day of September 2011.

IAN SIMMONS
Supervisory Patent Examiner
Art Unit 2916
Technology Center 2900