



US00D572961S

(12) **United States Design Patent**
Costa

(10) **Patent No.:** **US D572,961 S**
(45) **Date of Patent:** **** Jul. 15, 2008**

(54) **SLIP COVER FOR PLAY YARD**

(75) Inventor: **Allison Costa**, 3782 Berry Dr., Studio City, CA (US) 91604

(73) Assignee: **Allison Costa**, Studio City, CA (US)

(**) Term: **14 Years**

(21) Appl. No.: **29/272,932**

(22) Filed: **Feb. 21, 2007**

(51) **LOC (8) Cl.** **06-13**

(52) **U.S. Cl.** **D6/610**

(58) **Field of Classification Search** D6/610,
D6/616, 331, 504, 491, 596, 390, 503; 5/93.1,
5/100, 93.2, 97, 98.1, 99.1, 663, 512, 946;
128/872; 135/96

See application file for complete search history.

(56) **References Cited**

U.S. PATENT DOCUMENTS

2,025,613	A	12/1935	Rohan	
2,128,978	A	9/1938	Akin	
2,556,790	A	6/1951	Berdan	
3,103,669	A	9/1963	Mundis	
D323,589	S *	2/1992	Mariol	D6/331
5,163,191	A	11/1992	Chan et al.	
5,363,521	A *	11/1994	Garland et al.	5/99.1
D382,718	S *	8/1997	Mariol	D6/331
5,781,944	A *	7/1998	Huang	5/99.1
5,941,408	A	8/1999	Sherman	
D434,914	S *	12/2000	Wang	D6/331
D461,645	S *	8/2002	Hartenstine et al.	D6/331
D462,532	S *	9/2002	Hartenstine et al.	D6/331
D478,453	S *	8/2003	Neveau	D6/596
6,687,927	B1	2/2004	Tharalson et al.	
D494,393	S *	8/2004	Chen	D6/503
6,887,173	B2	5/2005	Lacroix et al.	
6,895,611	B2	5/2005	Tharalson et al.	
D510,217	S *	10/2005	Neveau	D6/503

D554,871 S * 11/2007 Volk et al. D6/331
2003/0098053 A1 * 5/2003 Huang 135/96
2006/0218725 A1 * 10/2006 Carpenter et al. 5/93.1

* cited by examiner

Primary Examiner—Louis S Zarfaz

Assistant Examiner—David G Muller

(74) *Attorney, Agent, or Firm*—Lerner, David, Littenberg, Krumholz & Mentlik, LLP

(57) **CLAIM**

The ornamental design for slip cover for play yard, as shown and described.

DESCRIPTION

FIG. 1 is a perspective view of the subject slip cover for play yard;

FIG. 2 is a front elevation view thereof (the rear view being a mirror image of the front plan view);

FIG. 3 is a right side view thereof (the left side being a mirror image of the right side elevation view);

FIG. 4 is a top plan view thereof;

FIG. 5 is perspective view of the second embodiment of the subject slip cover for play yard;

FIG. 6 is a front elevation view of the second embodiment thereof (the rear view being a mirror image of the front plan view);

FIG. 7 is a right side elevation view of the second embodiment thereof (the left side being a mirror image of the right side view); and,

FIG. 8 is a top plan view of the second embodiment thereof.

The broken line showing of parts of the drawings is included for the purpose of illustrating use and environment and forms no part of the claimed design.

1 Claim, 8 Drawing Sheets

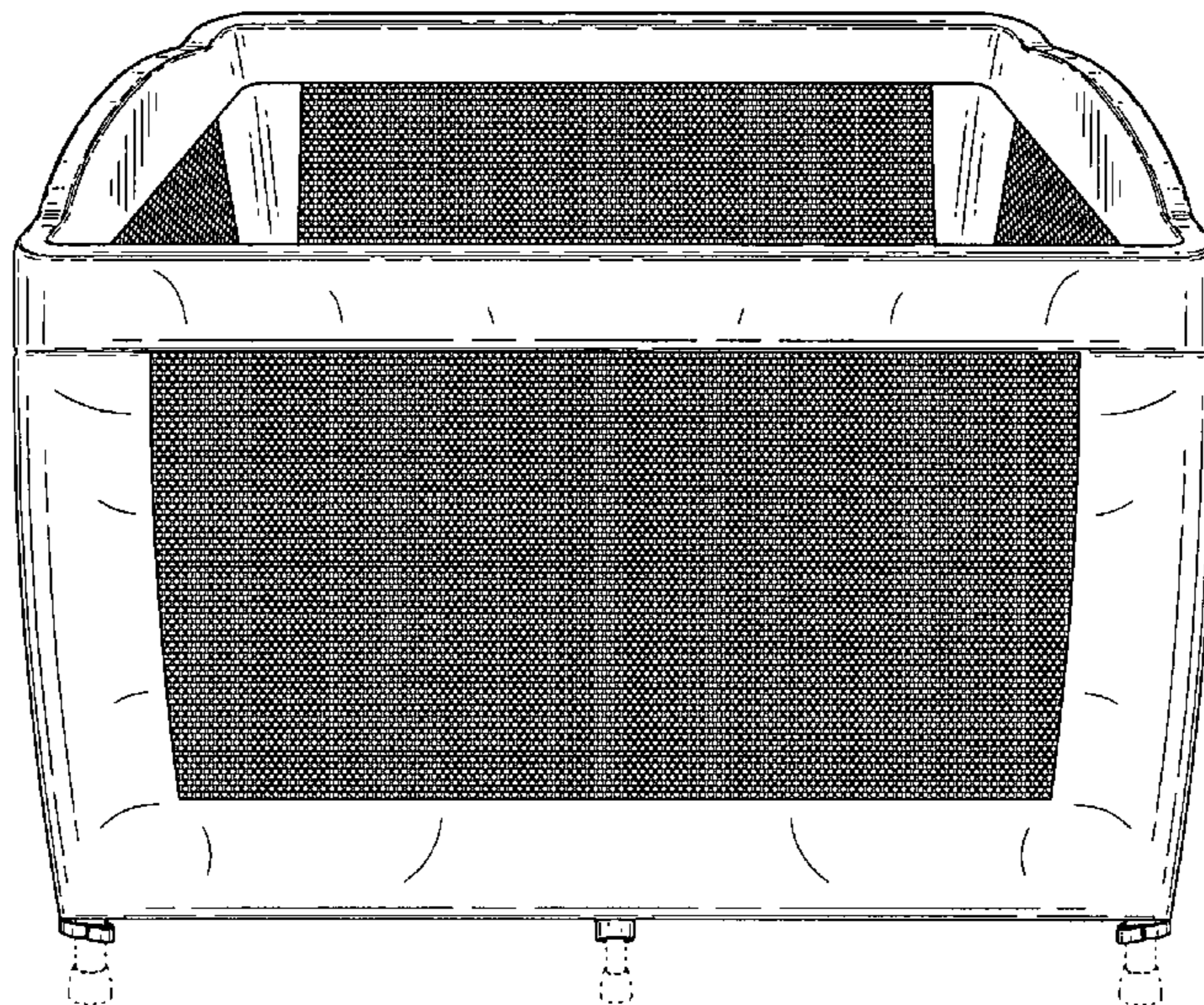


FIG. 1

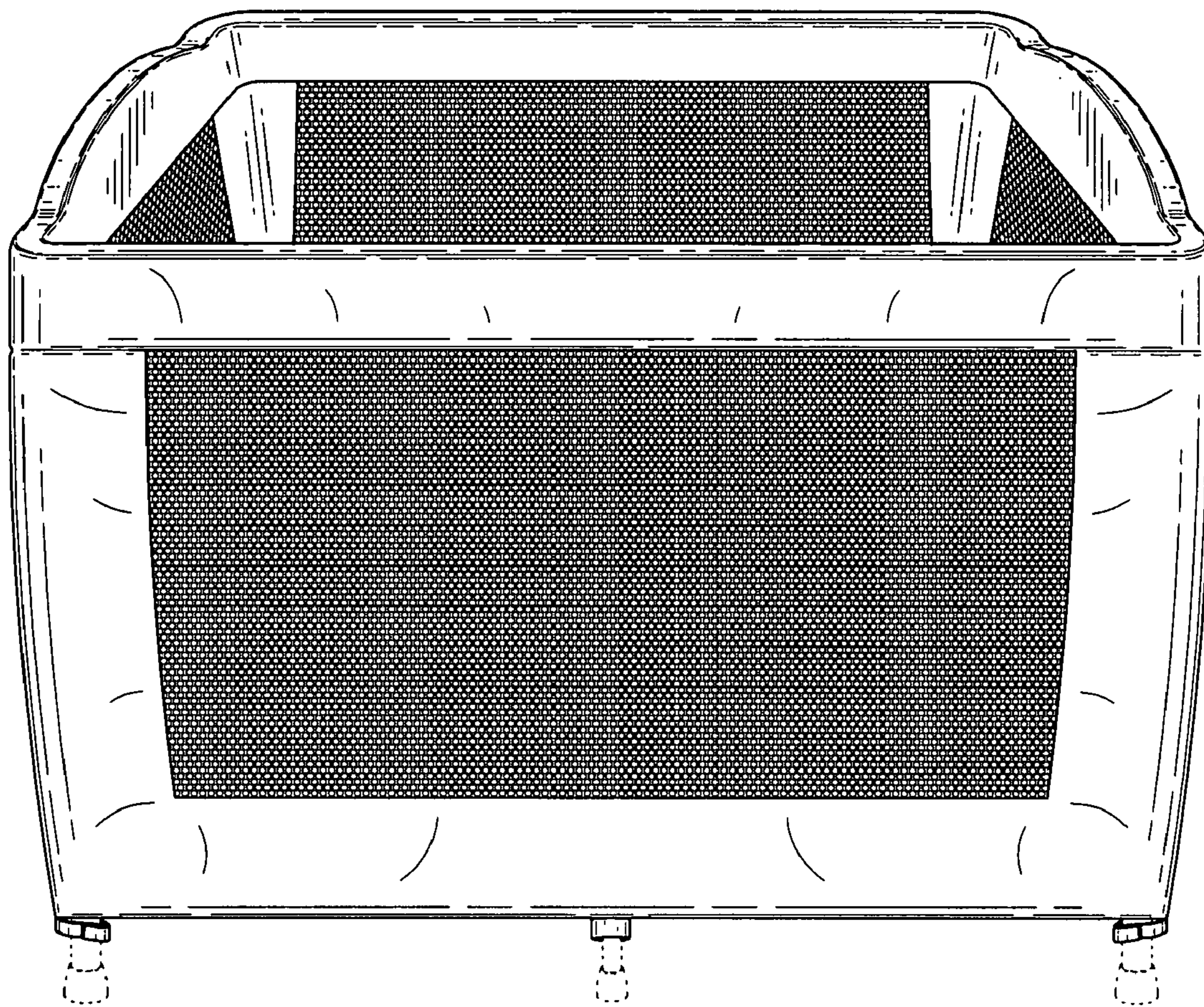


FIG. 2

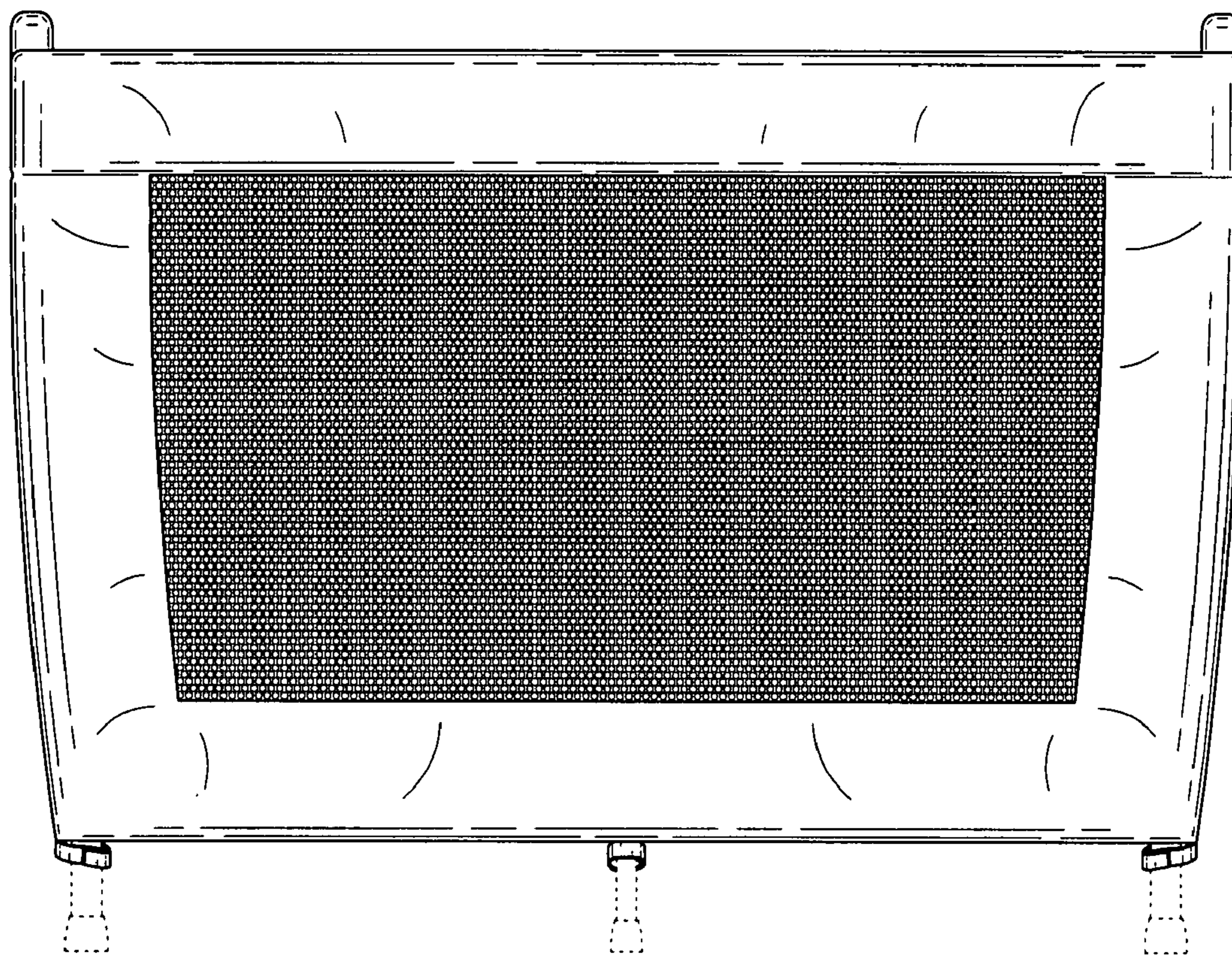


FIG. 3

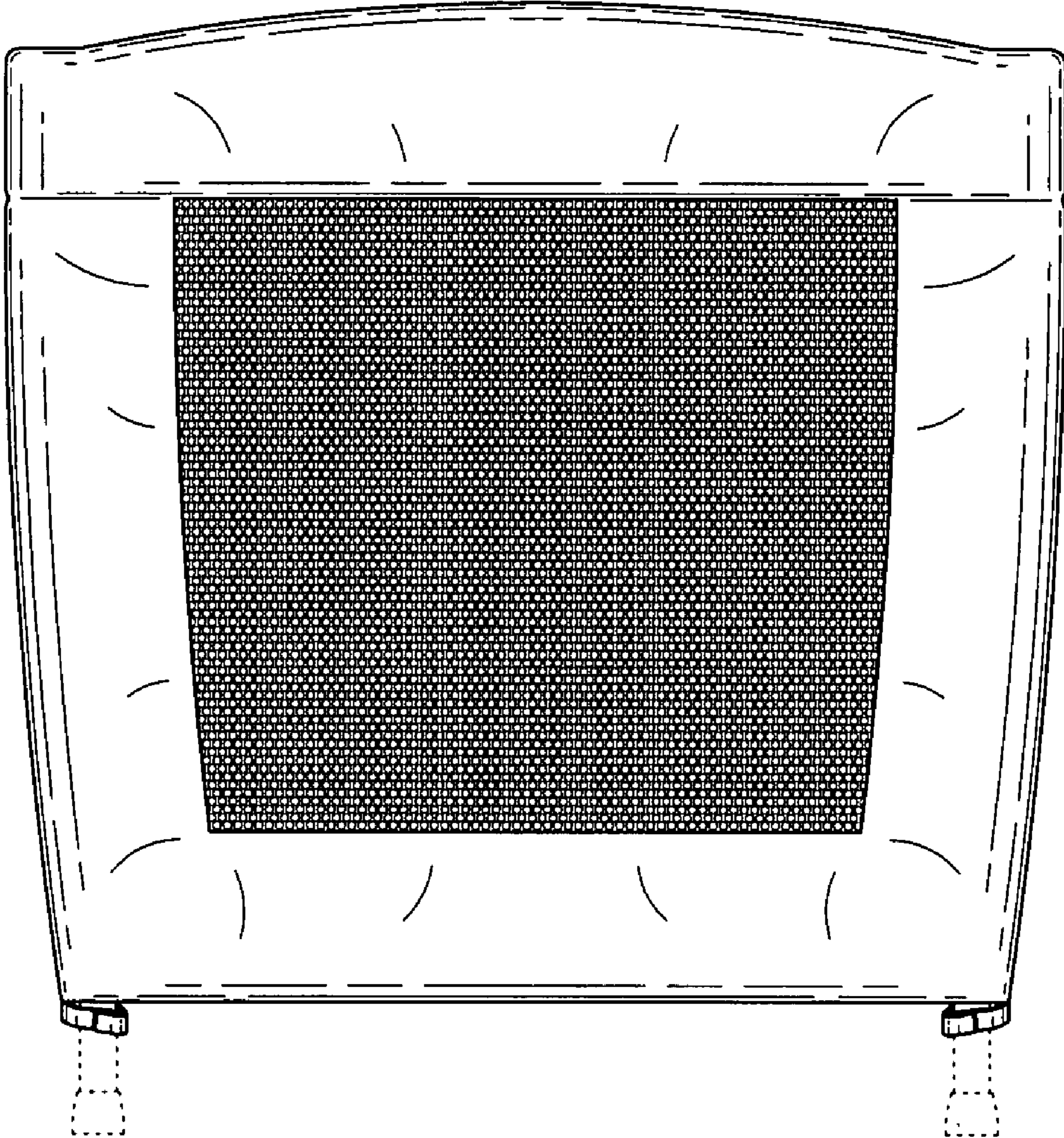


FIG. 4

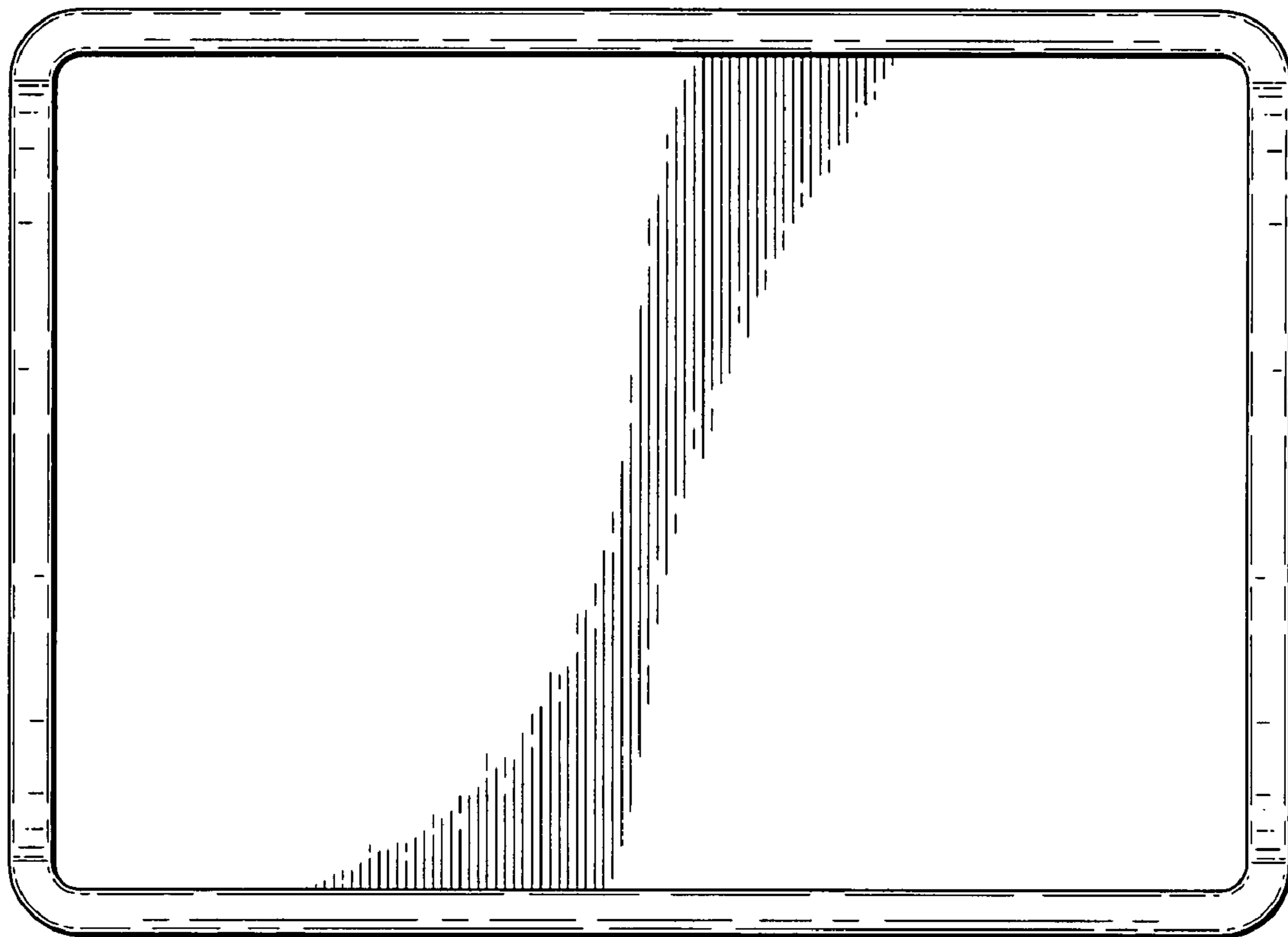


FIG. 5

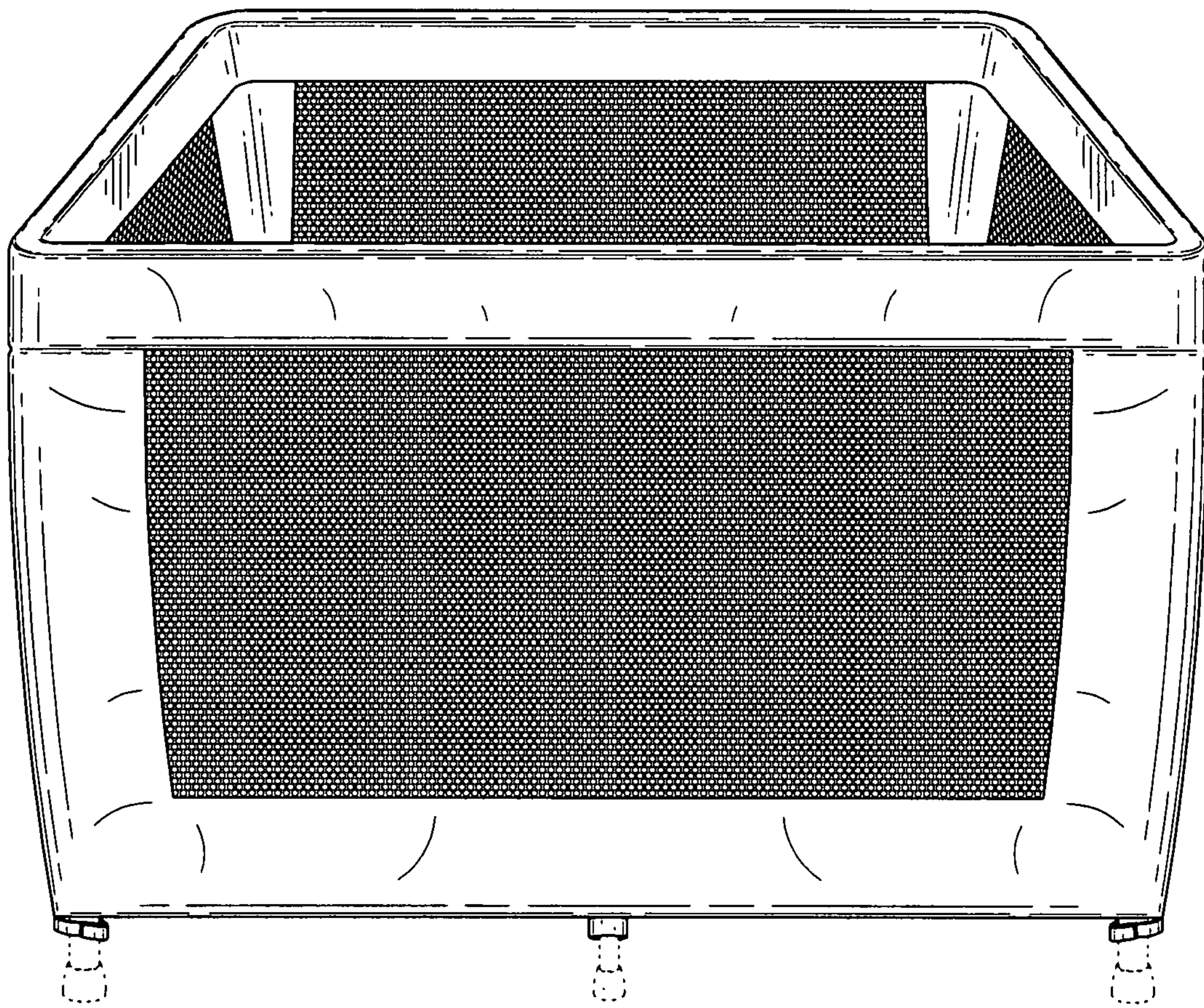


FIG. 6

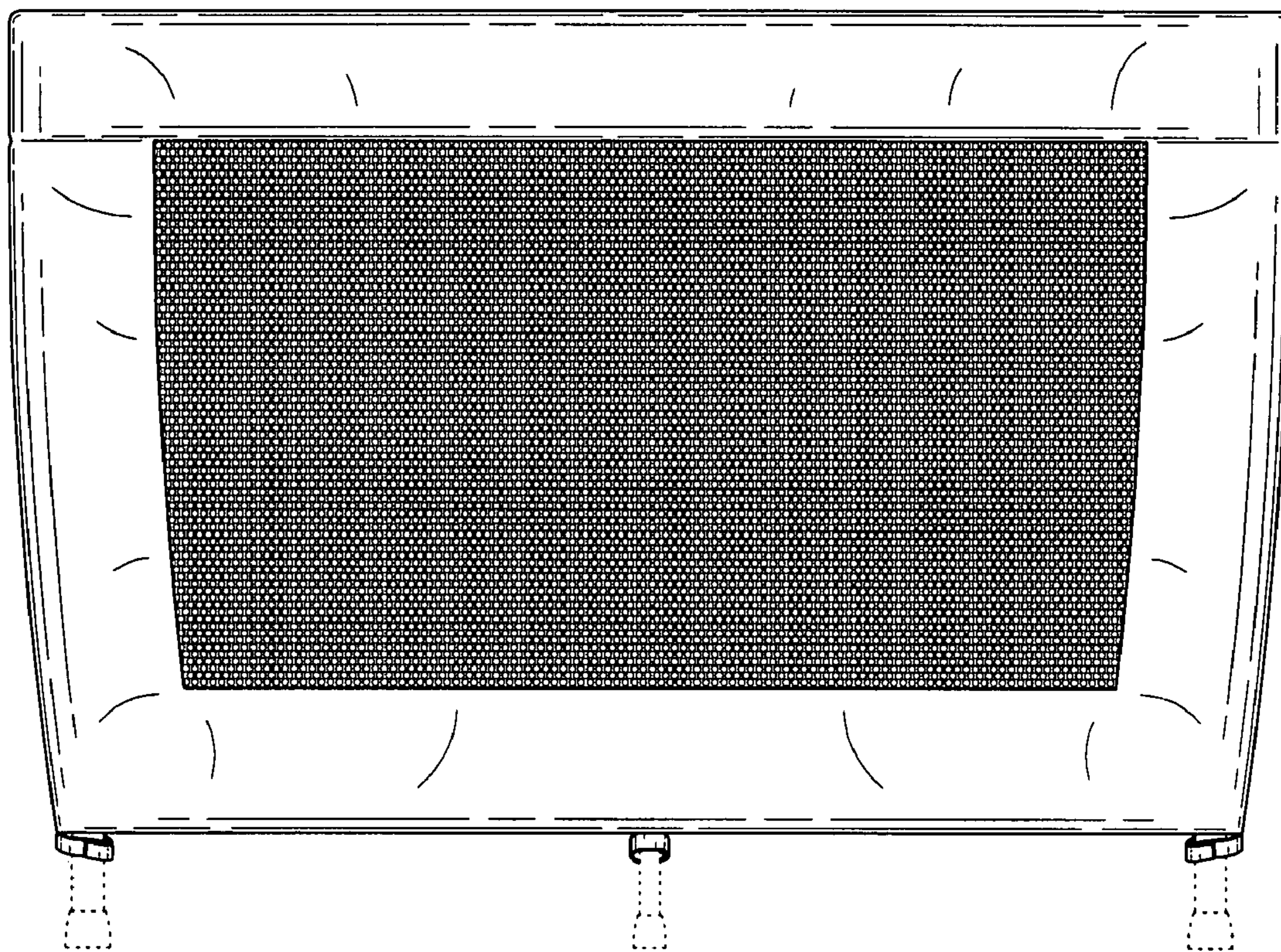


FIG. 7

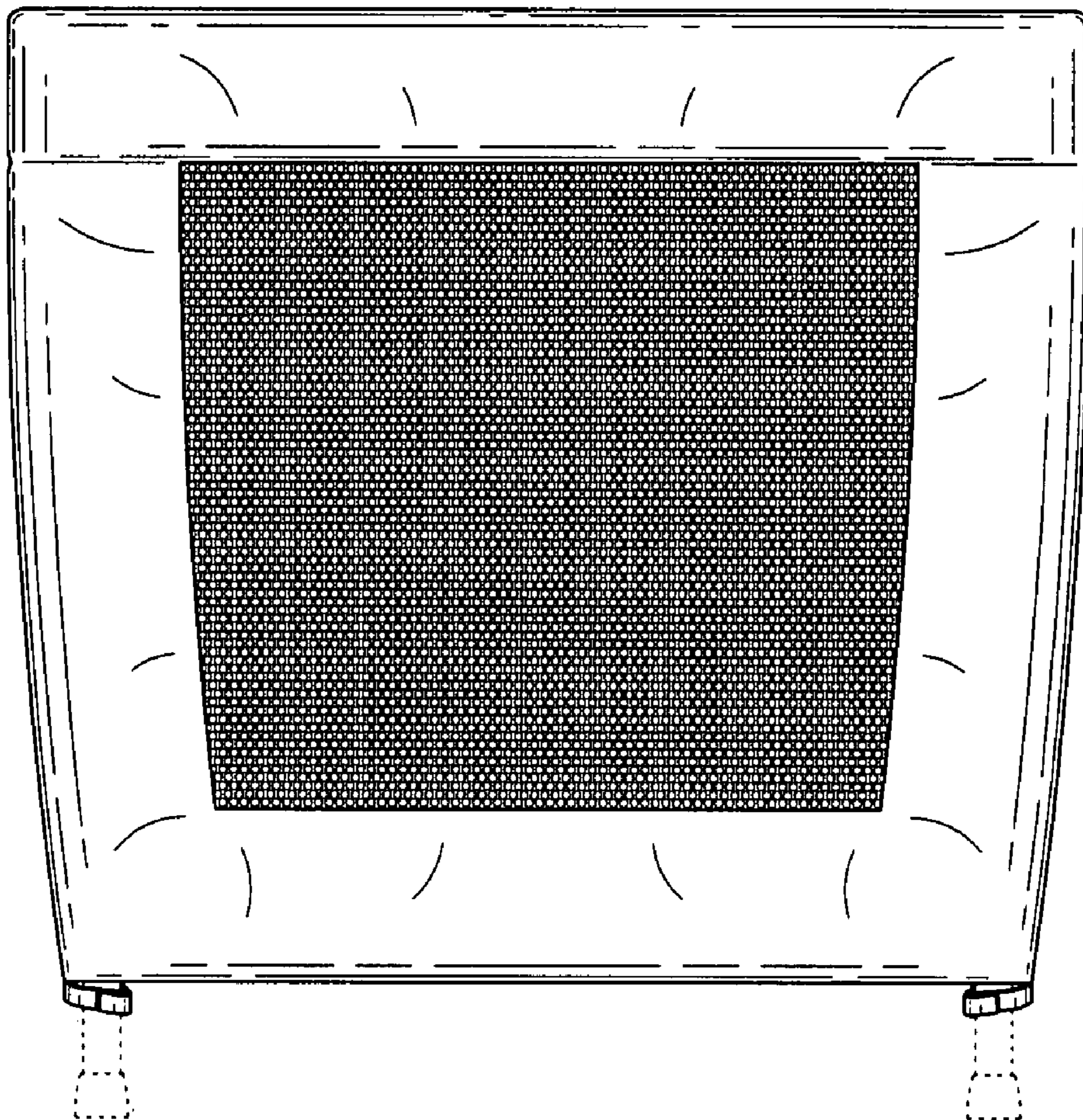
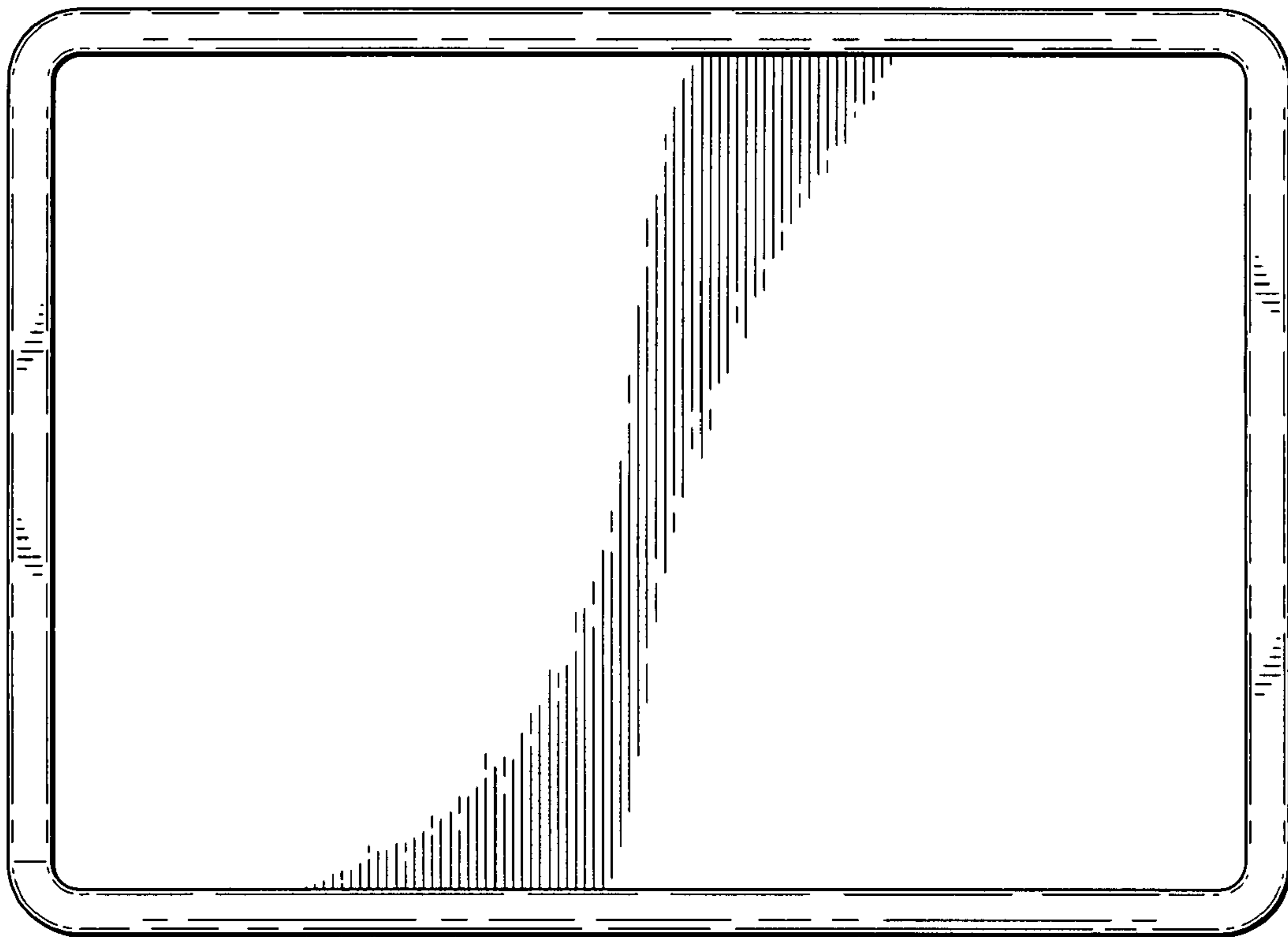


FIG. 8



UNITED STATES PATENT AND TRADEMARK OFFICE
CERTIFICATE OF CORRECTION

PATENT NO. : Des. 572,961 S
APPLICATION NO. : 29/272932
DATED : July 15, 2008
INVENTOR(S) : Allison Costa

Page 1 of 1

It is certified that error appears in the above-identified patent and that said Letters Patent is hereby corrected as shown below:

On the Title page, Item (Description), FIG. 2, line 2, "plan" should read --elevation--.
On the Title page, Item (Description), FIG. 3, line 1, after "FIG. 3 is a right side" insert --elevation--.
On the Title page, Item (Description), FIG. 6, line 2, "plan" should read --elevation--.
On the Title page, Item (Description), FIG. 7, line 2, after "image of the right side" insert --elevation--.

Signed and Sealed this

Twentieth Day of October, 2009



David J. Kappos
Director of the United States Patent and Trademark Office