



US00D572954S

(12) **United States Design Patent**
Huang

(10) **Patent No.:** **US D572,954 S**
(45) **Date of Patent:** **** Jul. 15, 2008**

(54) **CABINET PANEL**

(75) Inventor: **Ching-Dar Huang**, Kaohsiung (TW)
(73) Assignee: **Ofisworld Co., Ltd.**, Kaohsiung (TW)
(**) Term: **14 Years**

(21) Appl. No.: **29/295,406**
(22) Filed: **Sep. 28, 2007**

(51) **LOC (8) Cl.** **06-06**
(52) **U.S. Cl.** **D6/510**
(58) **Field of Classification Search** D3/307,
D3/319; D6/432, 436, 441, 445-446, 448,
D6/492, 509-511, 632; D14/444; D32/25;
312/109, 199, 204, 330.1, 348.4
See application file for complete search history.

(56) **References Cited**

U.S. PATENT DOCUMENTS

D240,381 S *	7/1976	Takazi	D6/492
D287,676 S *	1/1987	Christen	D6/446
D379,897 S *	6/1997	Huang	D6/632
D386,634 S *	11/1997	Daug	D6/510
D396,460 S *	7/1998	Su	D14/444
D474,925 S *	5/2003	Macor et al.	D6/492

* cited by examiner

Primary Examiner—Caron D. Veynar
Assistant Examiner—Ricky Pham
(74) *Attorney, Agent, or Firm*—Alan Kamrath; Kamrath & Associates PA

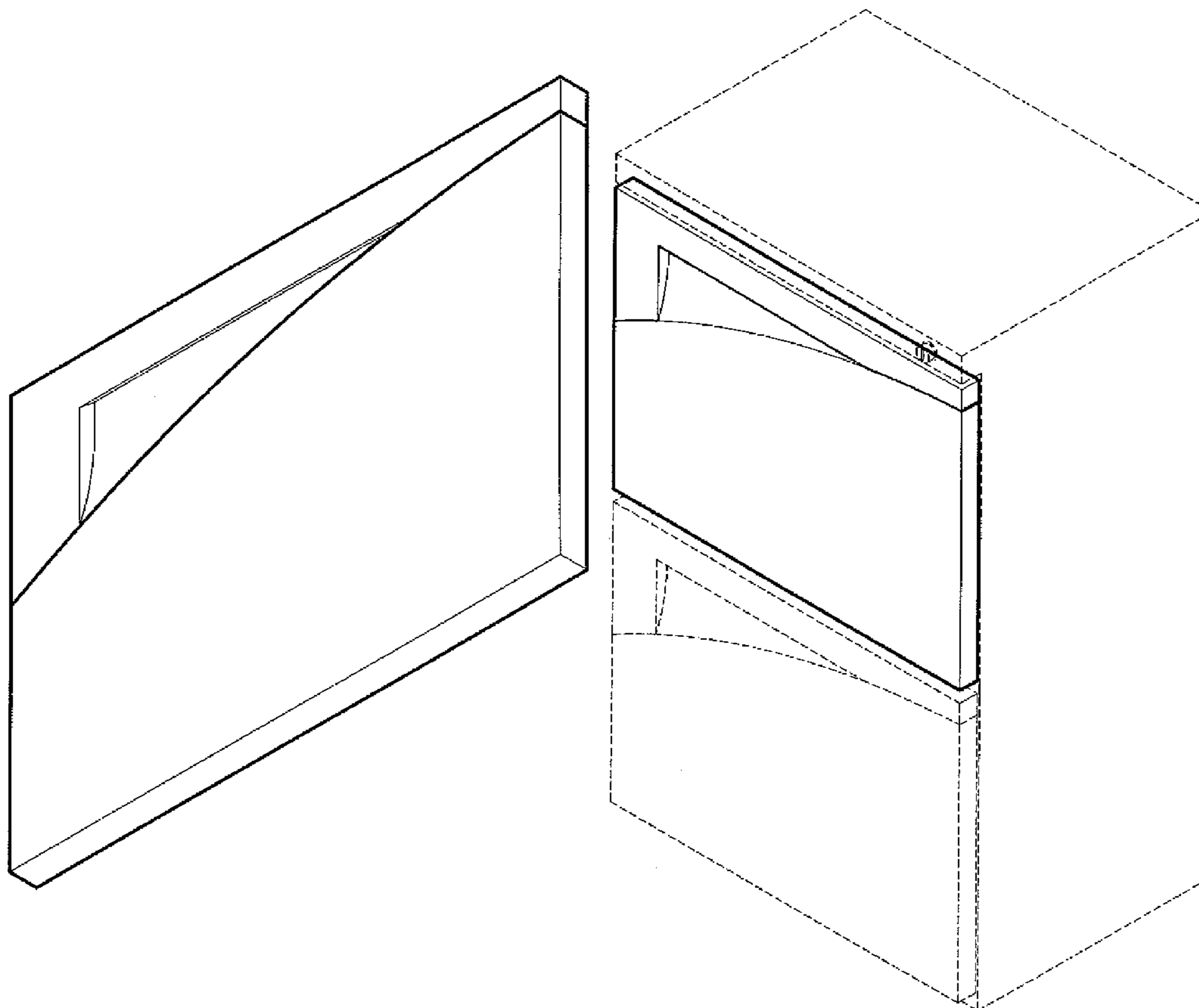
(57) **CLAIM**

The ornamental design for a cabinet panel, as shown and described.

DESCRIPTION

FIG. 1 is a perspective view of a cabinet panel showing my new design; shown separately for ease of illustration;
FIG. 2 is a right side elevational view thereof;
FIG. 3 is a top plan view thereof;
FIG. 4 is a front elevational view thereof;
FIG. 5 is a bottom plan view thereof;
FIG. 6 is a left side elevational view thereof;
FIG. 7 is a rear elevational view thereof; and,
FIG. 8 is a perspective view thereof in application to a cabinet. The broken lines shown in FIG. 8 are for illustrative purposes only and form no part of the claimed design.

1 Claim, 5 Drawing Sheets



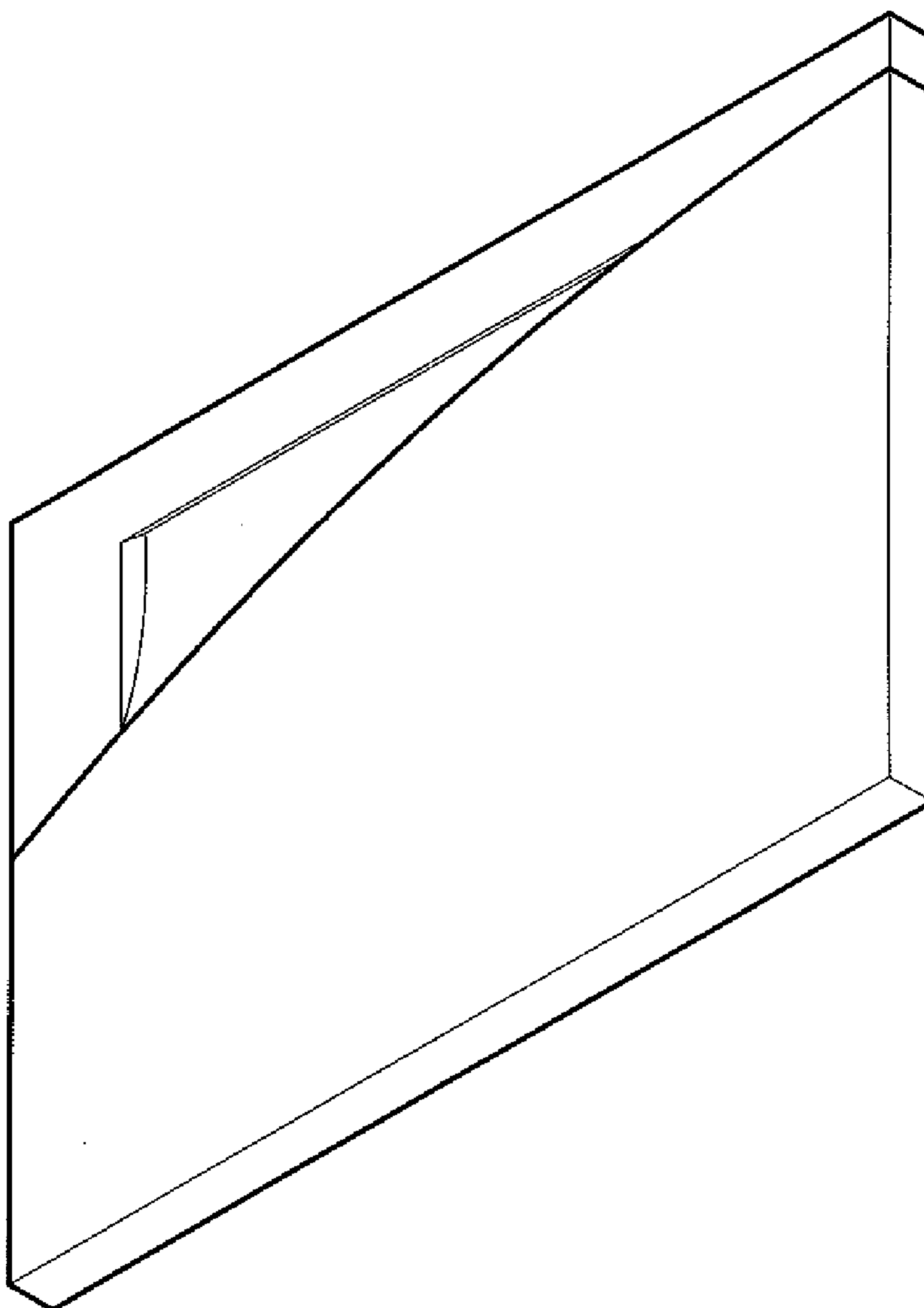


FIG. 1

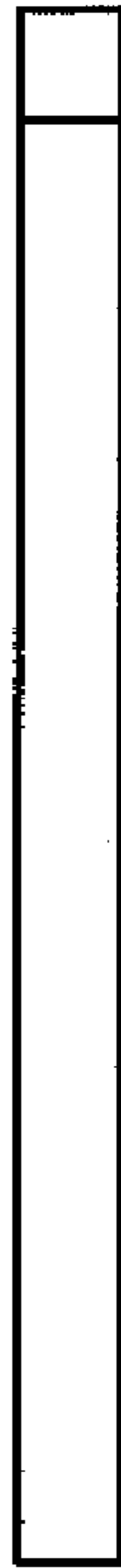


FIG. 2



FIG. 3

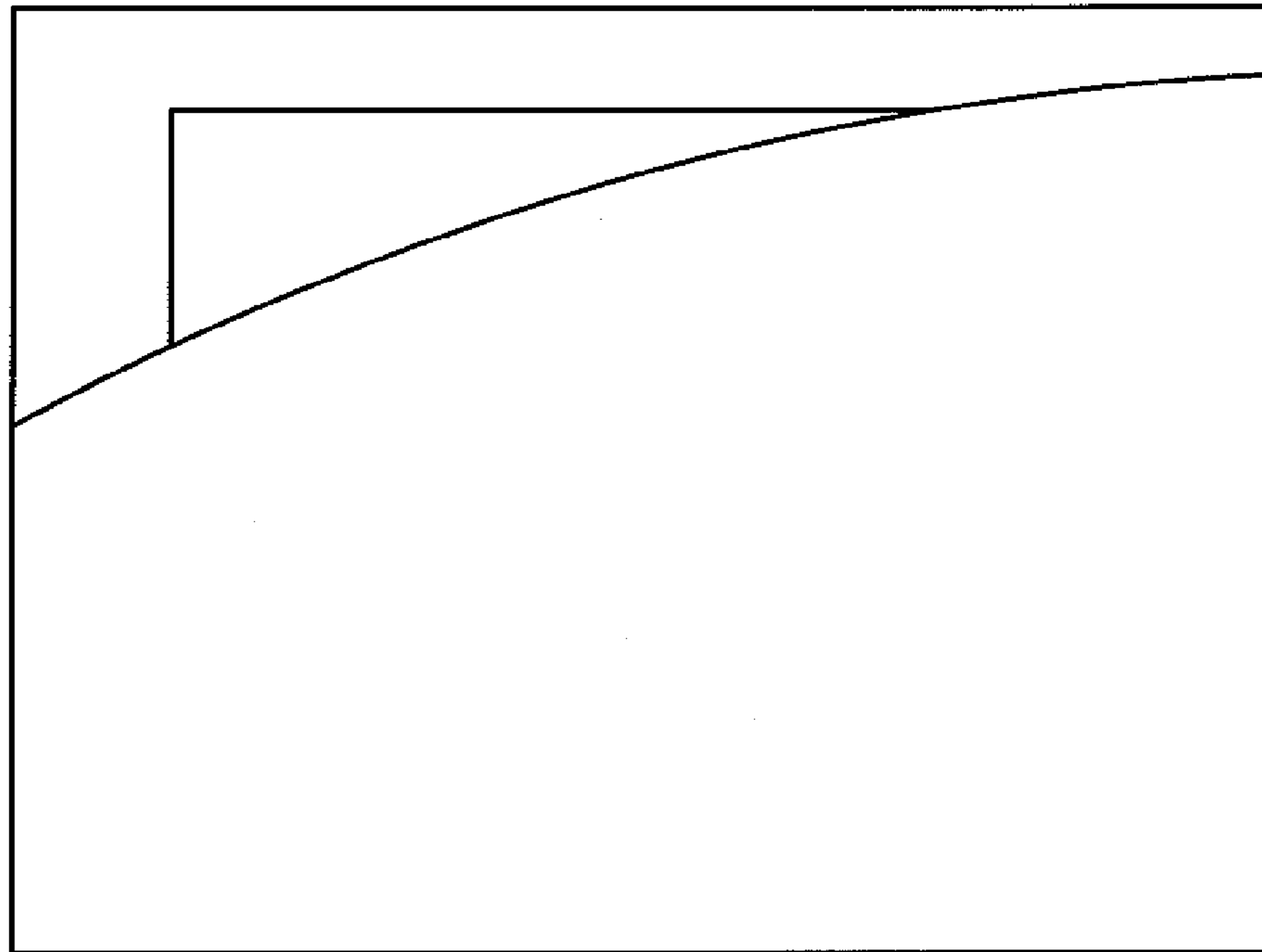


FIG. 4



FIG. 5



FIG. 6

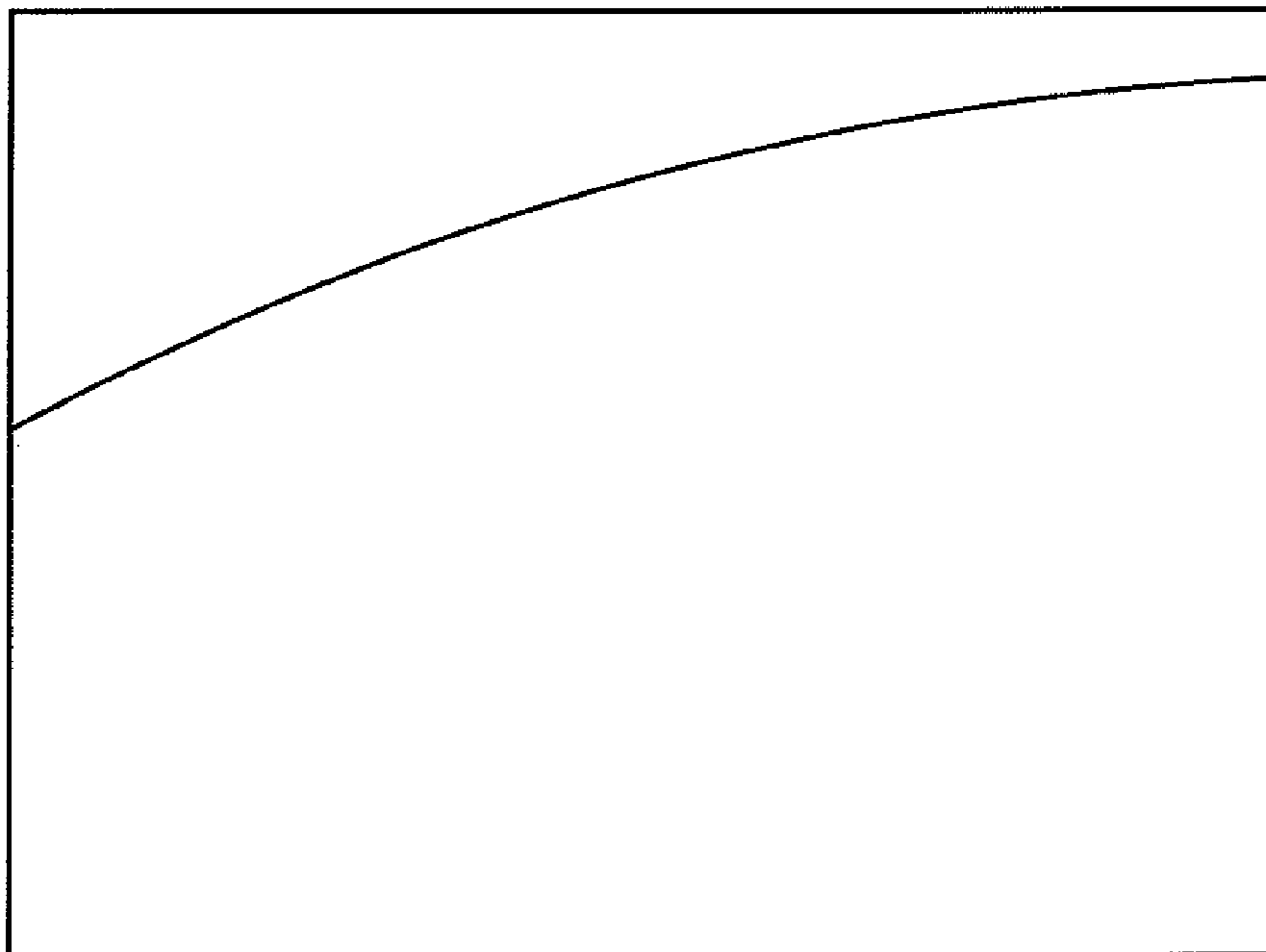


FIG. 7

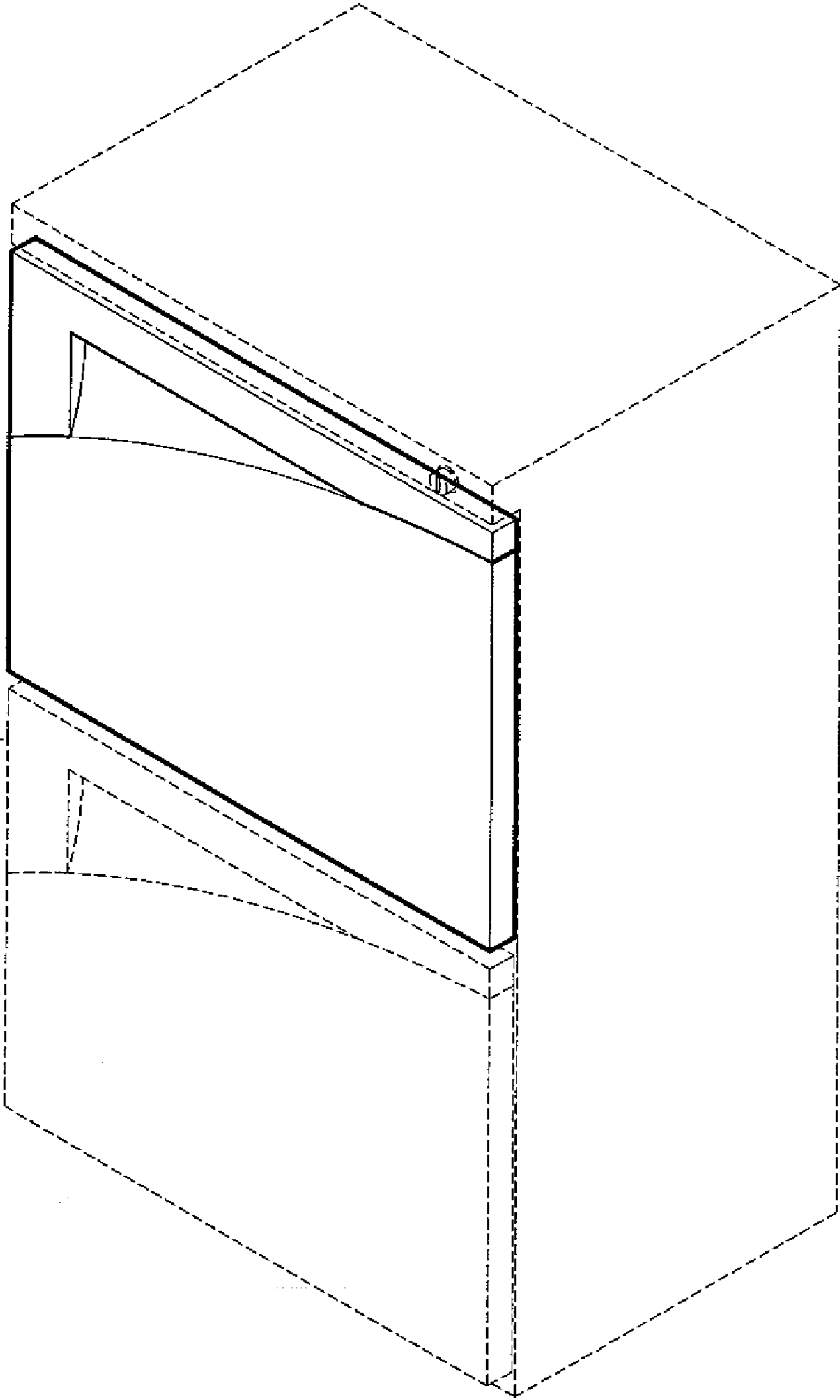


FIG. 8