



US00D572950S

(12) **United States Design Patent**  
**Aoki et al.**

(10) **Patent No.:** **US D572,950 S**  
(45) **Date of Patent:** **\*\* Jul. 15, 2008**

(54) **ELECTRIC MASSAGING CHAIR**

(75) Inventors: **Motohiro Aoki**, Kadoma (JP); **Etsushi Muramatsu**, Kadoma (JP); **Yoshiyuki Miyake**, Kadoma (JP); **Jyunichi Yamada**, Tokyo (JP); **Nobutaka Katou**, Tokyo (JP)

(73) Assignee: **Matsushita Electric Works, Ltd.**, Kadoma-shi, Osaka (JP)

(\*\*) Term: **14 Years**

(21) Appl. No.: **29/289,331**

(22) Filed: **Jul. 16, 2007**

(30) **Foreign Application Priority Data**

Jan. 16, 2007 (JP) ..... 2007-000562

(51) **LOC (8) Cl.** ..... **06-01**

(52) **U.S. Cl.** ..... **D6/501**

(58) **Field of Classification Search** ..... D6/501,  
D6/370, 334-336, 358, 364-367, 372-375,  
D6/379, 356, 498, 500, 502; 297/411.2,  
297/411.27, 411.28, 411.36, 452.29, 284.4,  
297/452.3

See application file for complete search history.

(56) **References Cited**

**U.S. PATENT DOCUMENTS**

D502,829 S \* 3/2005 Grove ..... D6/501  
D534,745 S \* 1/2007 Garcia ..... D6/492  
D535,123 S \* 1/2007 Garcia ..... D6/492  
D535,124 S \* 1/2007 Garcia ..... D6/492

D536,907 S \* 2/2007 Egger ..... D6/492  
D537,659 S \* 3/2007 Egger ..... D6/492  
D556,480 S \* 12/2007 Tran ..... D6/501  
D557,953 S \* 12/2007 Mazzera ..... D6/501  
D561,503 S \* 2/2008 Grove ..... D6/501

\* cited by examiner

*Primary Examiner*—Robert M. Spear

*Assistant Examiner*—Katrina A Kile

(74) *Attorney, Agent, or Firm*—Osha Liang LLP

(57) **CLAIM**

The ornamental design for an electric massaging chair, as shown and described.

**DESCRIPTION**

FIG. 1 is a perspective view of the top, front and left side of an electric massaging chair showing our new design;

FIG. 2 is a left side view thereof, the right side view being mirror image thereof;

FIG. 3 is a front view thereof;

FIG. 4 is a rear view thereof;

FIG. 5 is a top plan view thereof;

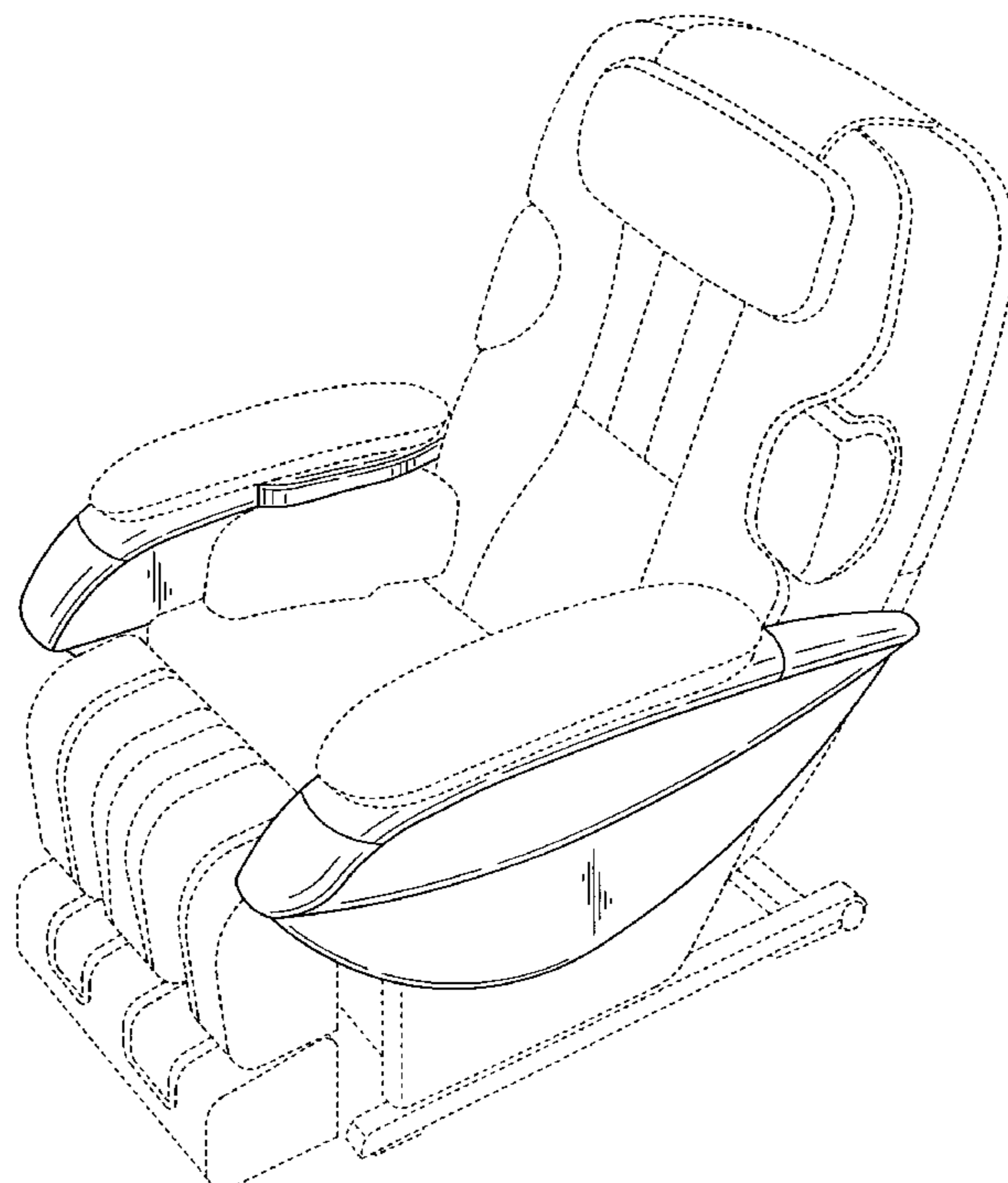
FIG. 6 is a bottom view thereof;

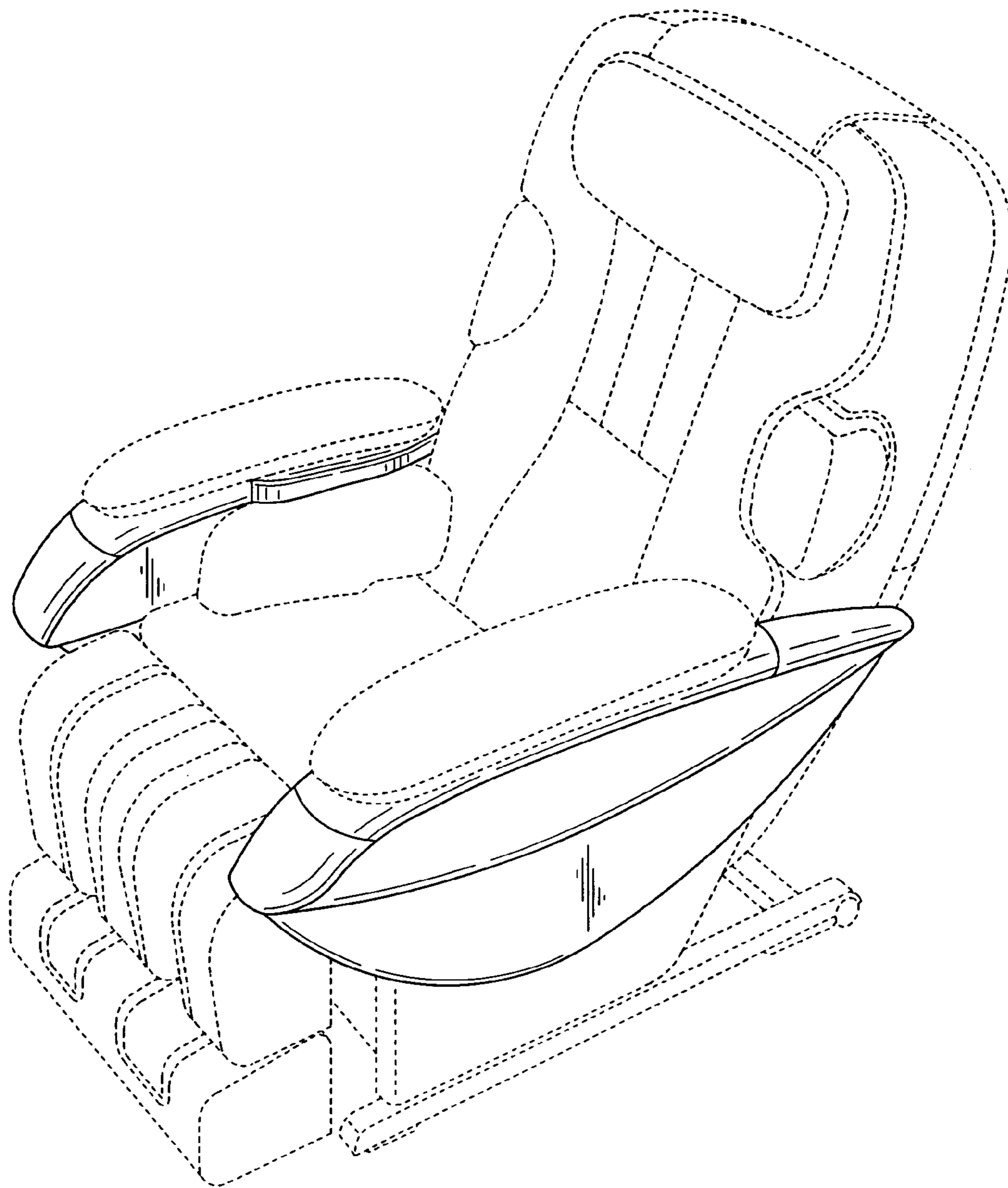
FIG. 7 is a top plan reference view showing the sectioned position; and,

FIG. 8 is a cross sectional view at 8—8 in FIG. 7 omitting interior mechanism.

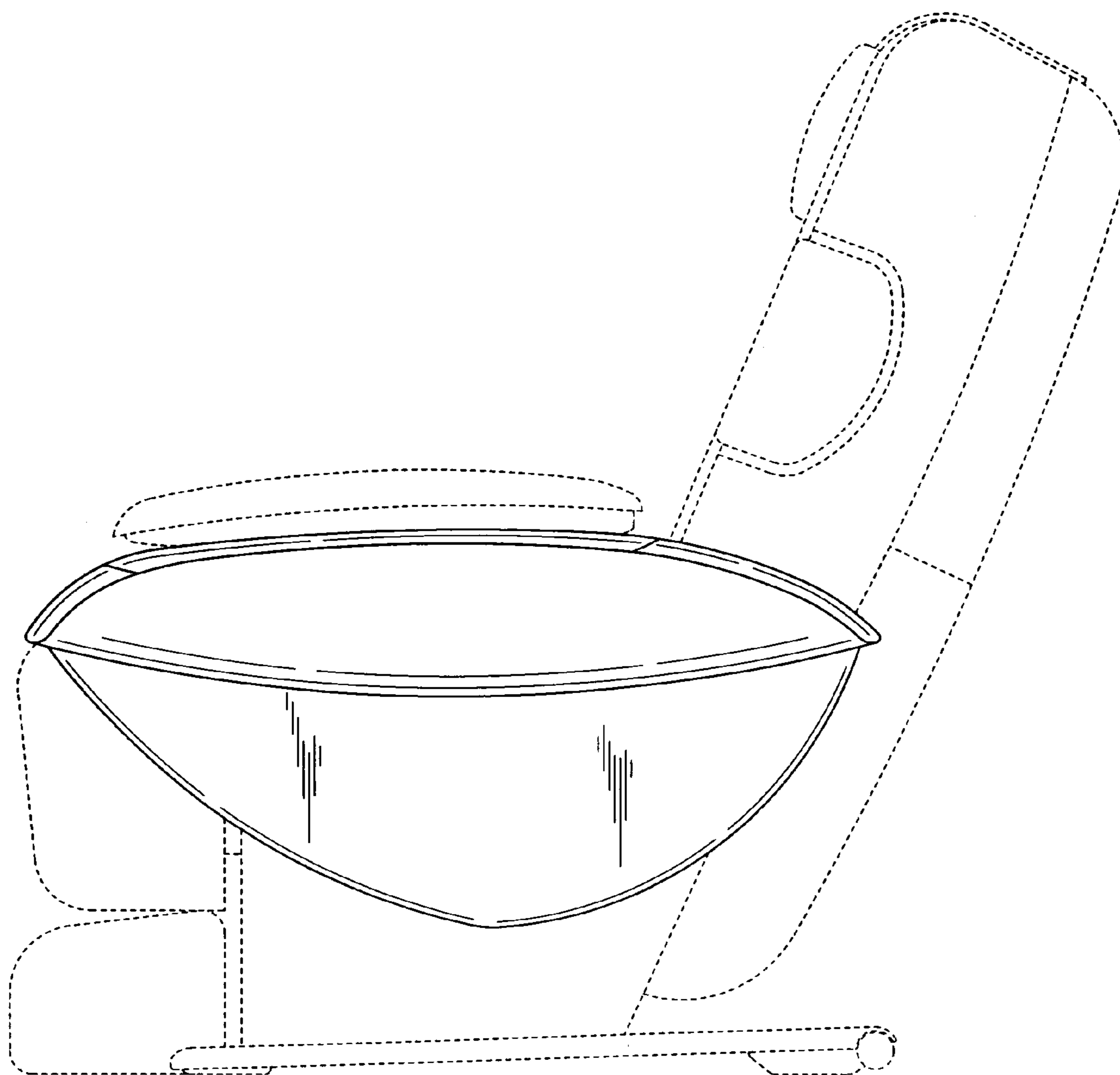
The portion of the article in broken lines are shown for illustrative purposes only and form no part of the claimed design.

**1 Claim, 8 Drawing Sheets**

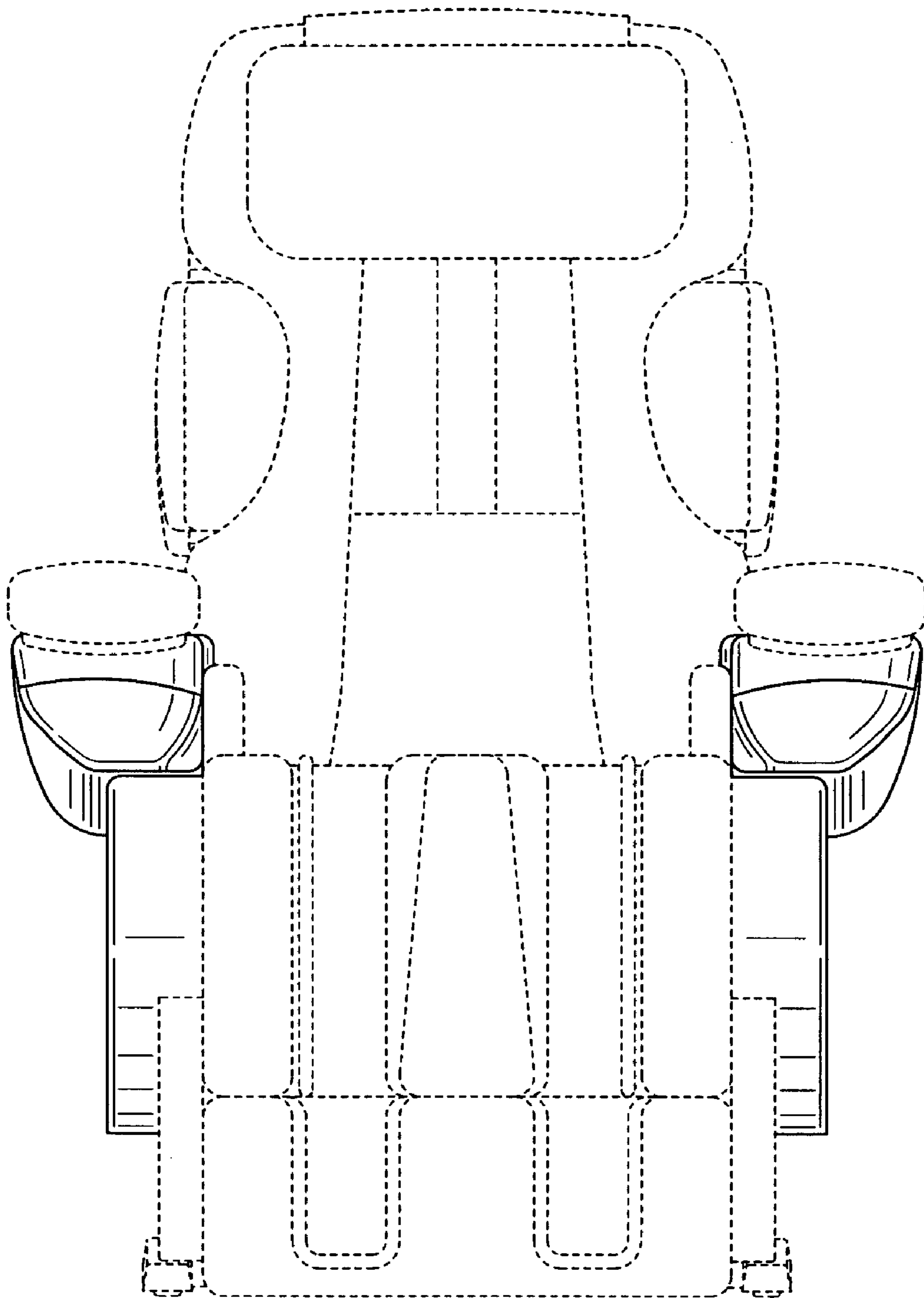




**FIG. 1**



*FIG. 2*



**FIG. 3**

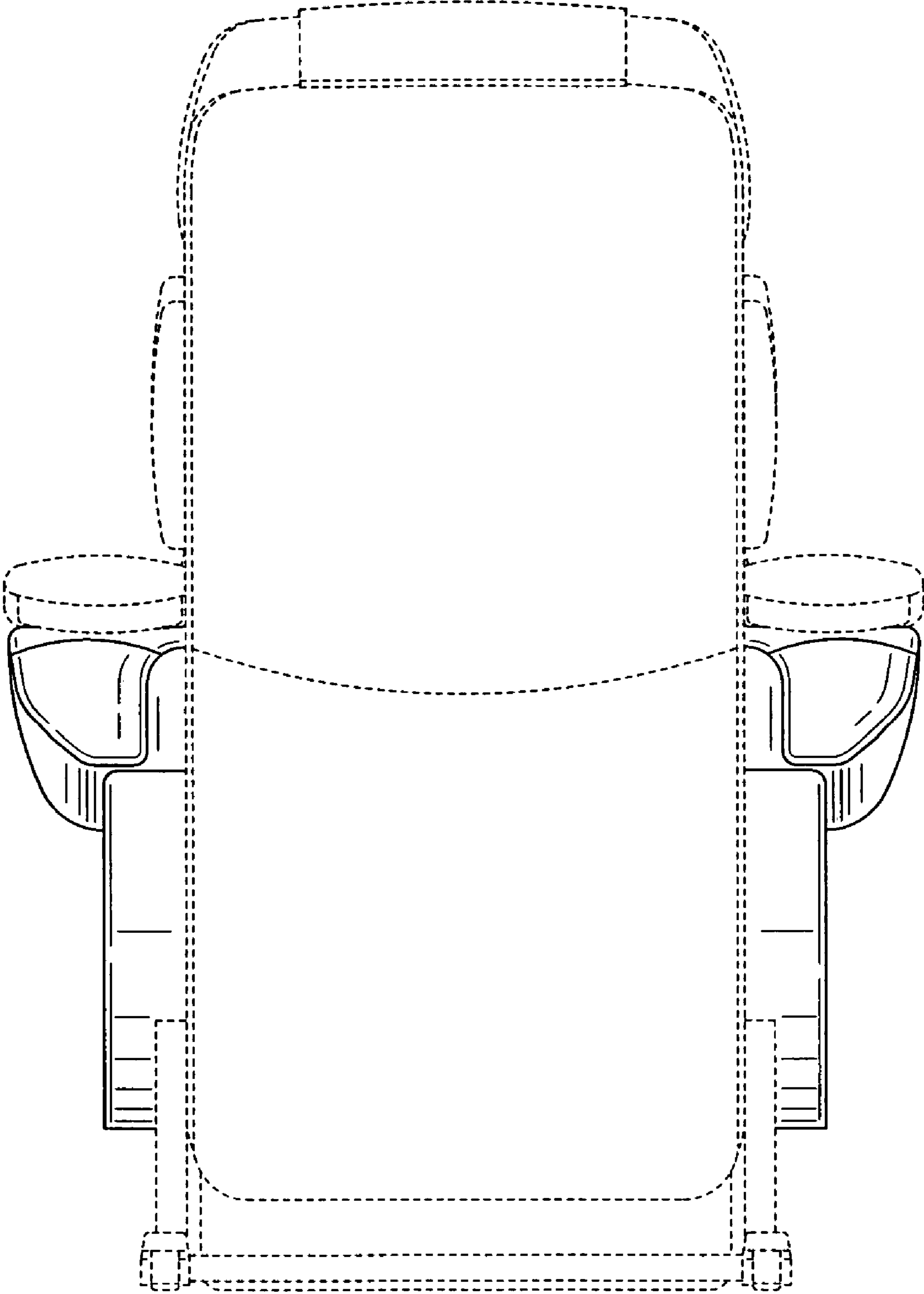


FIG. 4

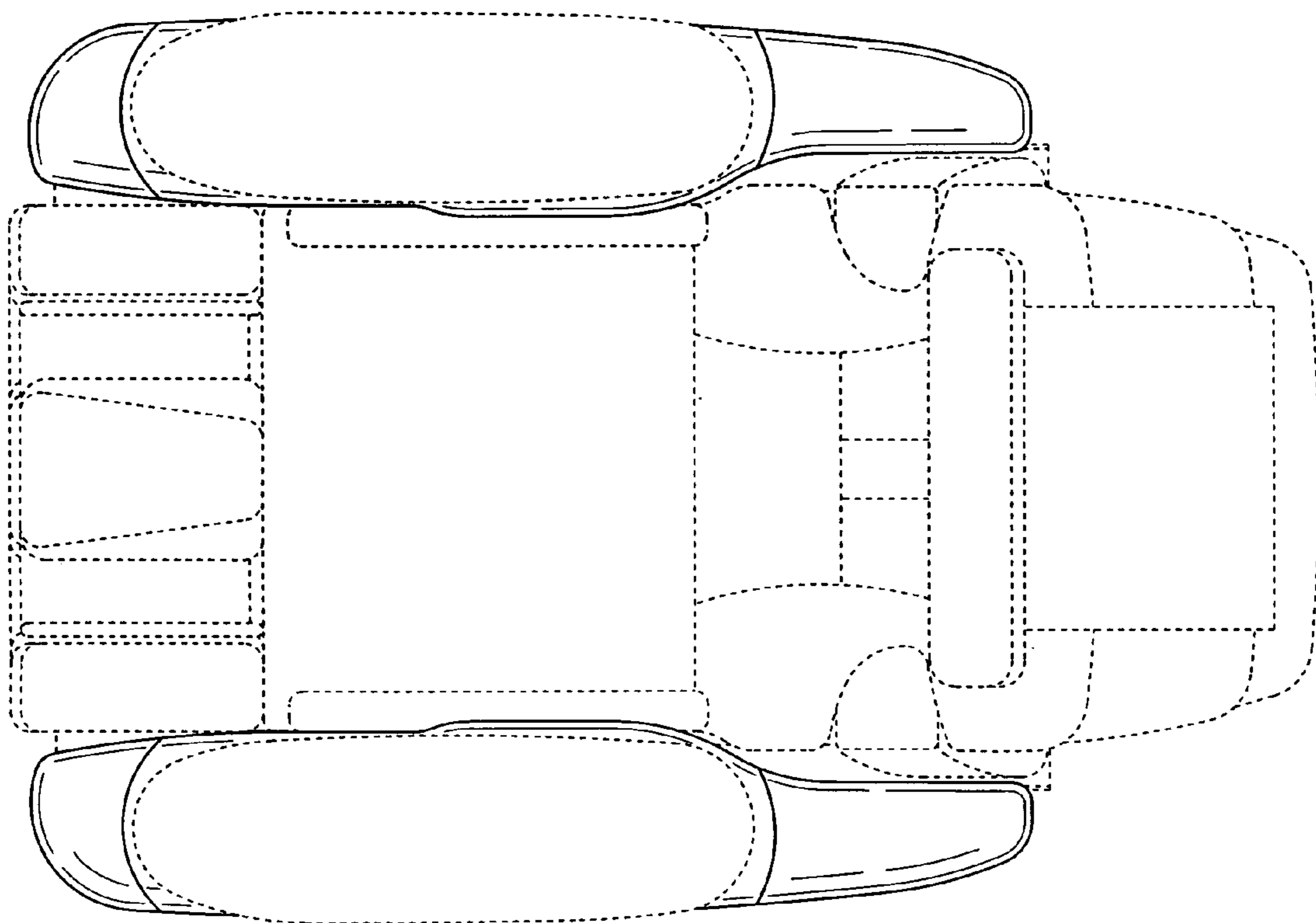


FIG. 5

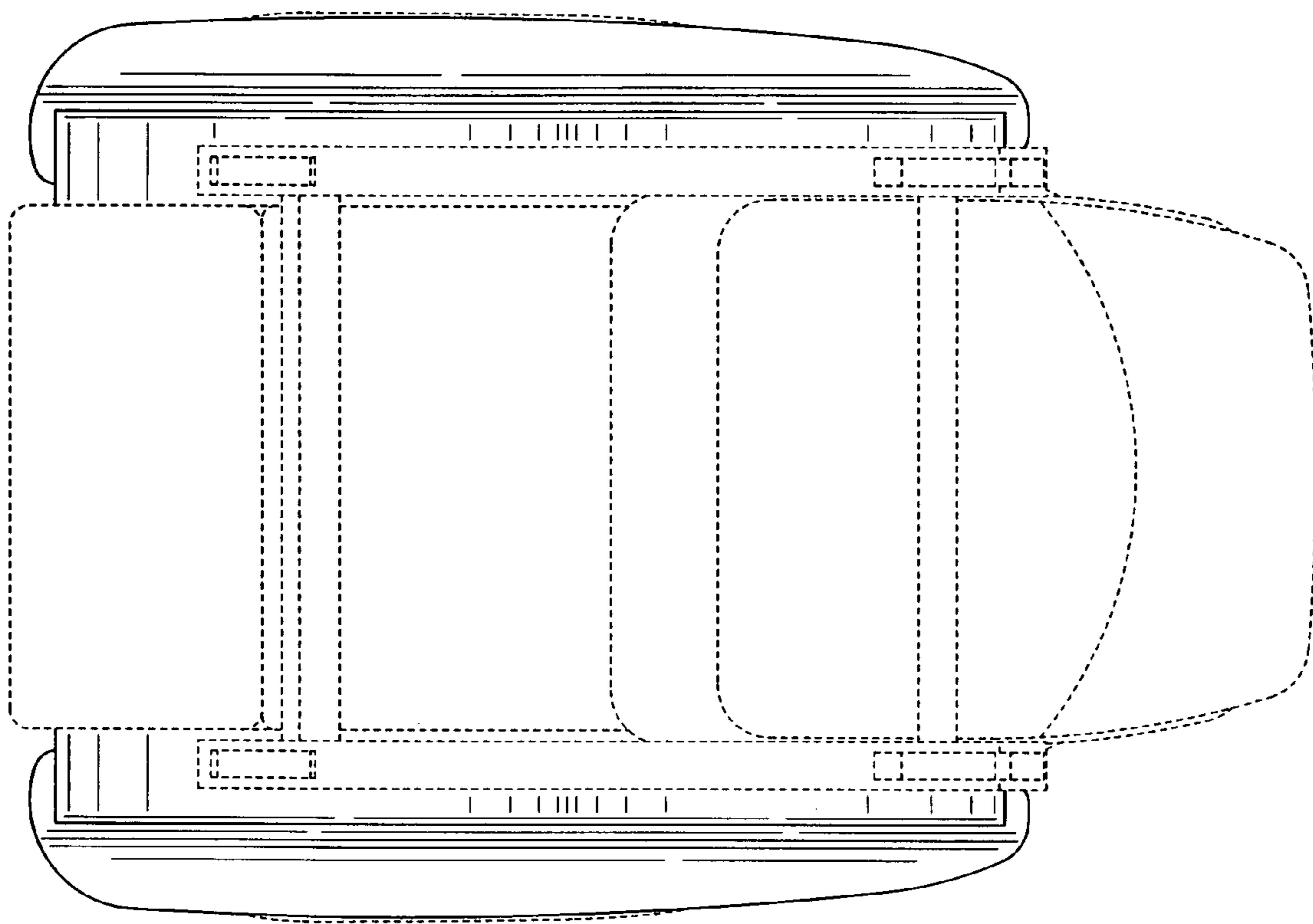


FIG. 6

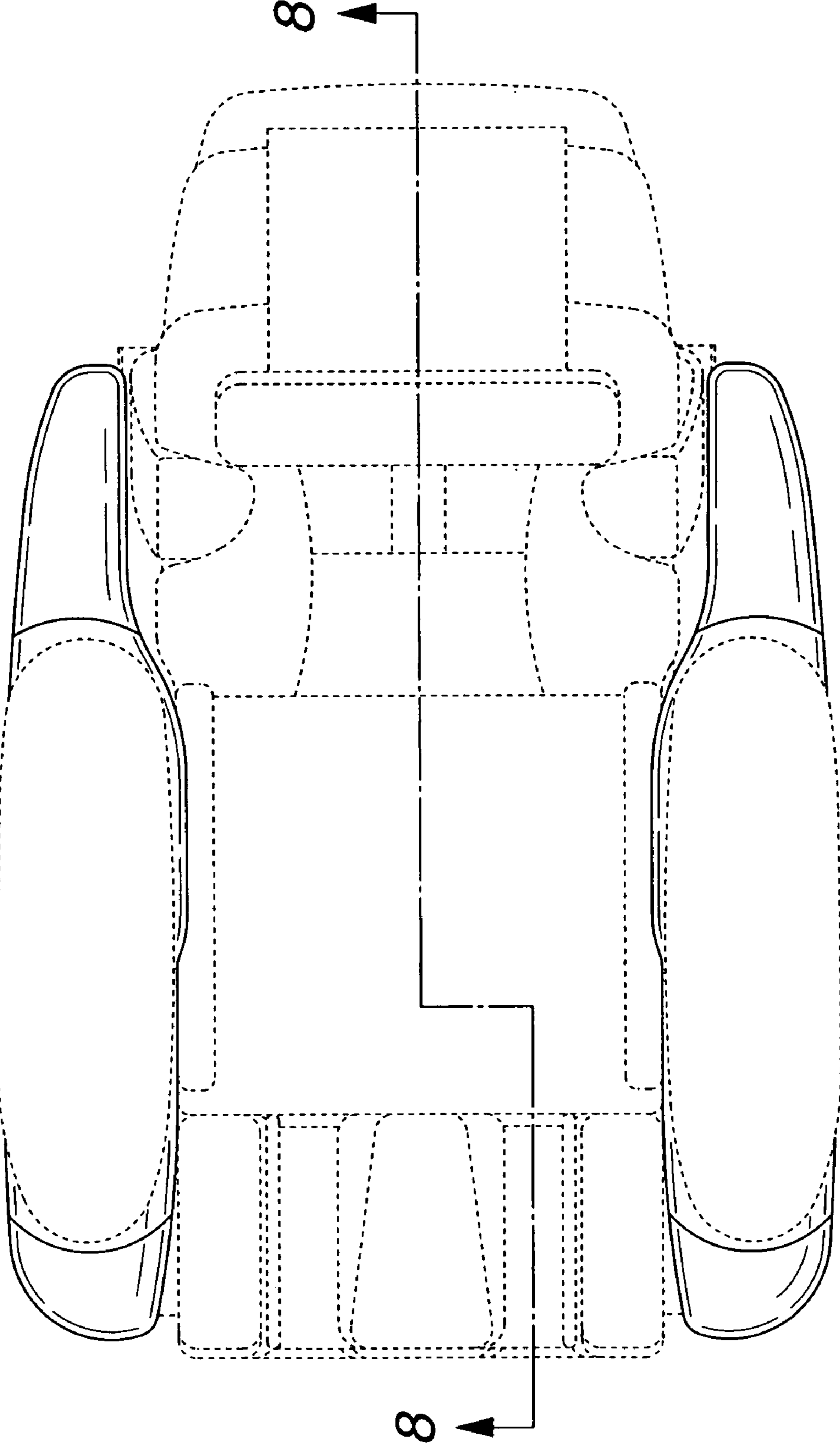


FIG. 7



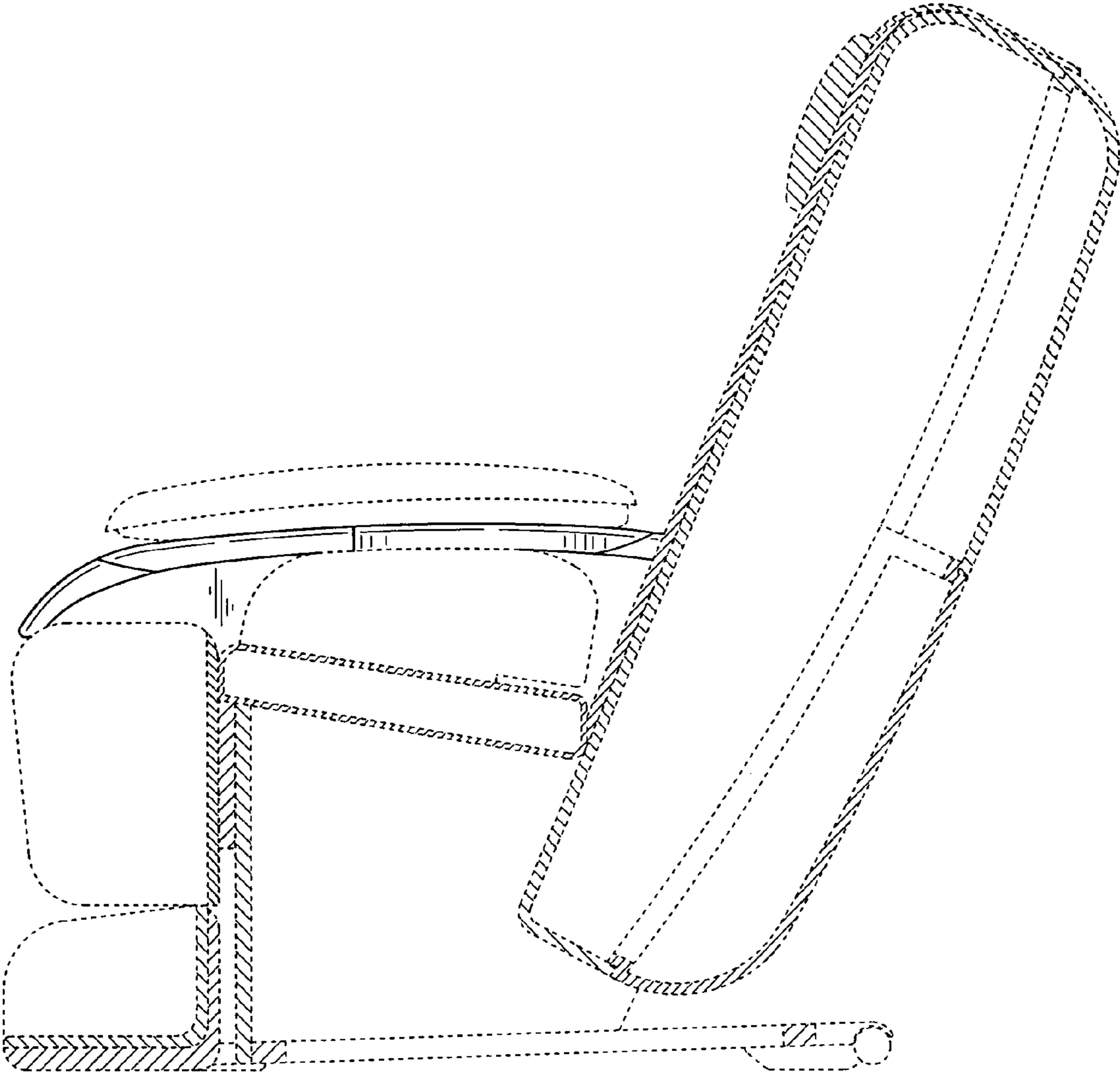


FIG. 8

UNITED STATES PATENT AND TRADEMARK OFFICE  
**CERTIFICATE OF CORRECTION**

PATENT NO. : Des. 572,950 S  
APPLICATION NO. : 29/289331  
DATED : July 15, 2008  
INVENTOR(S) : Motohiro Aoki et al.

Page 1 of 1

It is certified that error appears in the above-identified patent and that said Letters Patent is hereby corrected as shown below:

On the Cover Page:

On the Cover Page, section (75) Inventors, line 1, the first Inventor's city of residence "Kadoma" should be --Yokohama--.

On the Cover Page, section (75) Inventors, line 2, the second Inventor's city of residence "Kadoma" should be --Yokohama--.

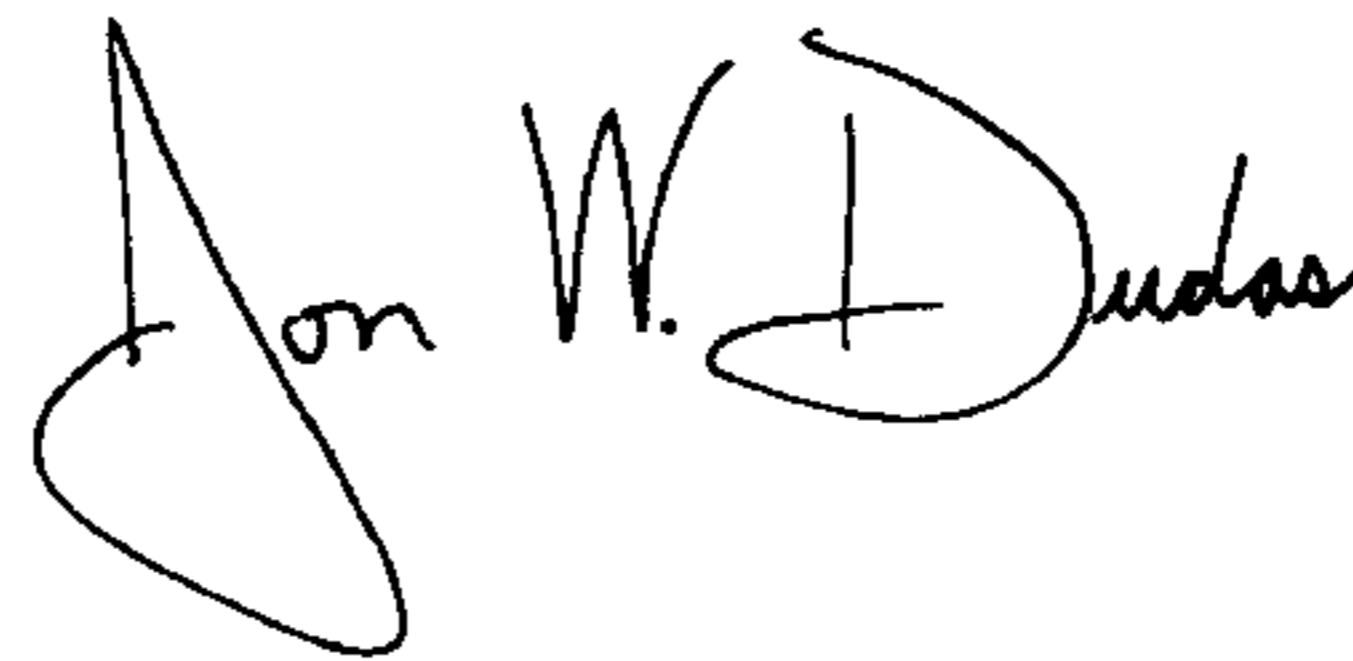
On the Cover Page, section (75) Inventors, line 3, the third Inventor's city of residence "Kadoma" should be --Osaka--.

On the Cover Page, section (75) Inventors, line 4, the fourth Inventor's city of residence "Tokyo" should be --Hidaka--.

On the Cover Page, section (75) Inventors, line 5, the fifth Inventor's city of residence "Tokyo" should be --Yokohama--.

Signed and Sealed this

Ninth Day of December, 2008



JON W. DUDAS  
*Director of the United States Patent and Trademark Office*