



US00D572949S

(12) **United States Design Patent**  
**Chen et al.**

(10) **Patent No.:** **US D572,949 S**  
(45) **Date of Patent:** **\*\* Jul. 15, 2008**

(54) **GUARD FOR A JUVENILE CHAIR**

D431,212 S \* 9/2000 Haung ..... D12/129  
D455,680 S \* 4/2002 Huang ..... D12/129  
D465,754 S \* 11/2002 Huang ..... D12/129  
D519,422 S \* 4/2006 Huang ..... D12/129

(75) Inventors: **Shun-Min Chen**, Neihu (TW);  
**Xiao-Fang Lu**, Neihu (TW)

(73) Assignee: **Wonderland Nursery Goods Co., Ltd.**  
(TW)

\* cited by examiner

*Primary Examiner*—Charles A. Rademaker

*Assistant Examiner*—Charles D Hanson

(74) *Attorney, Agent, or Firm*—Davidson Berquist Jackson &  
Gowdey LLP

(\*\*) Term: **14 Years**

(21) Appl. No.: **29/265,180**

(22) Filed: **Aug. 28, 2006**

(57) **CLAIM**

The ornamental design for guard for a juvenile chair, as shown and described.

(51) **LOC (8) Cl.** ..... **06-01**

(52) **U.S. Cl.** ..... **D6/500; D12/133**

(58) **Field of Classification Search** ..... D12/128–133;  
296/65.03, 65.04; 224/409; 297/DIG. 4;  
280/62, 647–650, 29, 200, 47, 38, 250.1,  
280/259, 642, 658; D21/839; D6/500

**DESCRIPTION**

FIG. 1 is a perspective view of guard for a juvenile chair showing our new design;

FIG. 2 is a front elevational view thereof;

FIG. 3 is a rear elevational view thereof;

FIG. 4 is a left side elevational view thereof;

FIG. 5 is a right side elevational view thereof;

FIG. 6 is a top plan view thereof;

FIG. 7 is a bottom plan view thereof;

FIG. 8 is a perspective view in use; and,

FIG. 9 is another perspective view in use.

The portions shown in dashed lines are for illustrative purposes only and form no part of the claimed design.

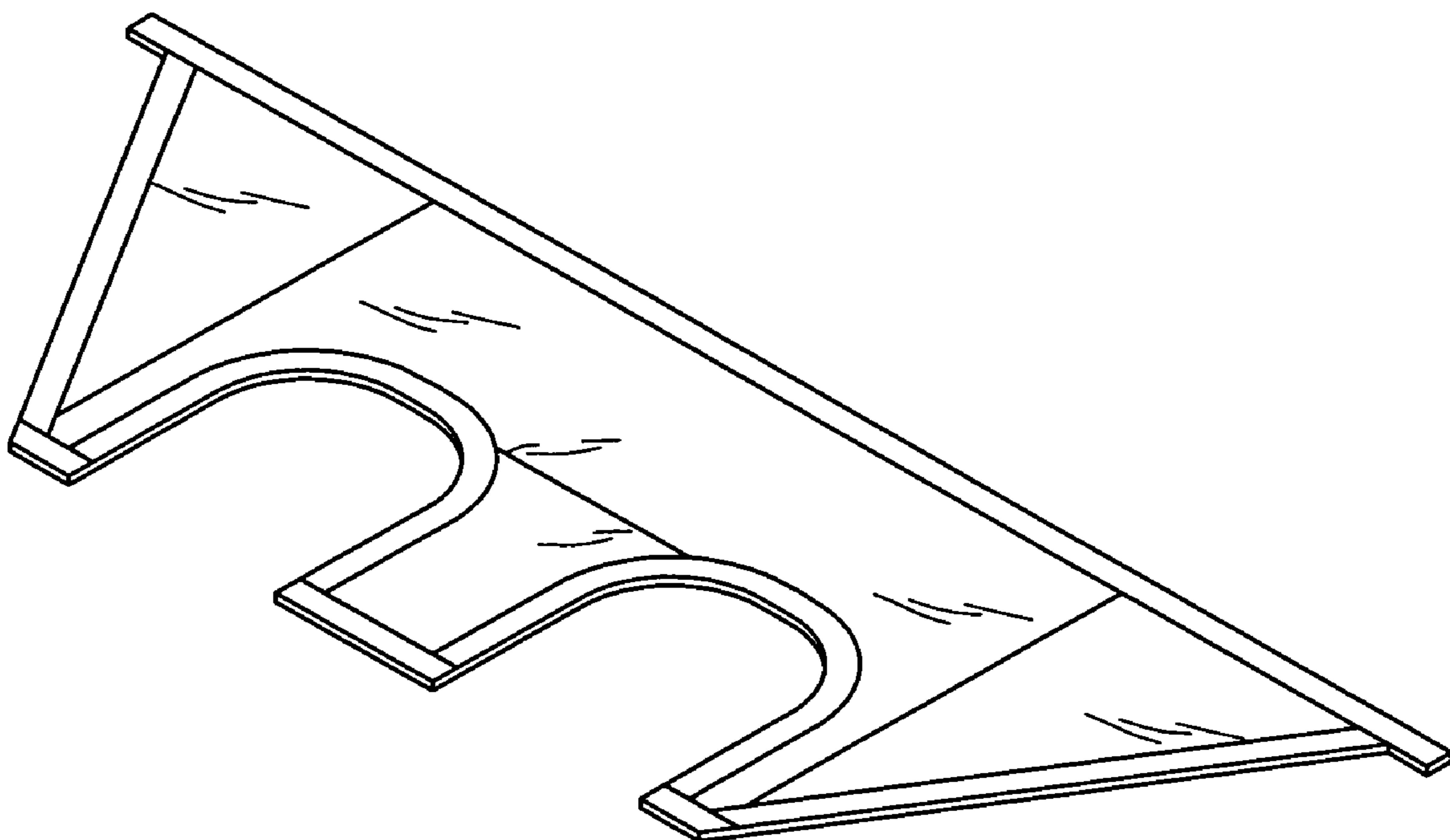
See application file for complete search history.

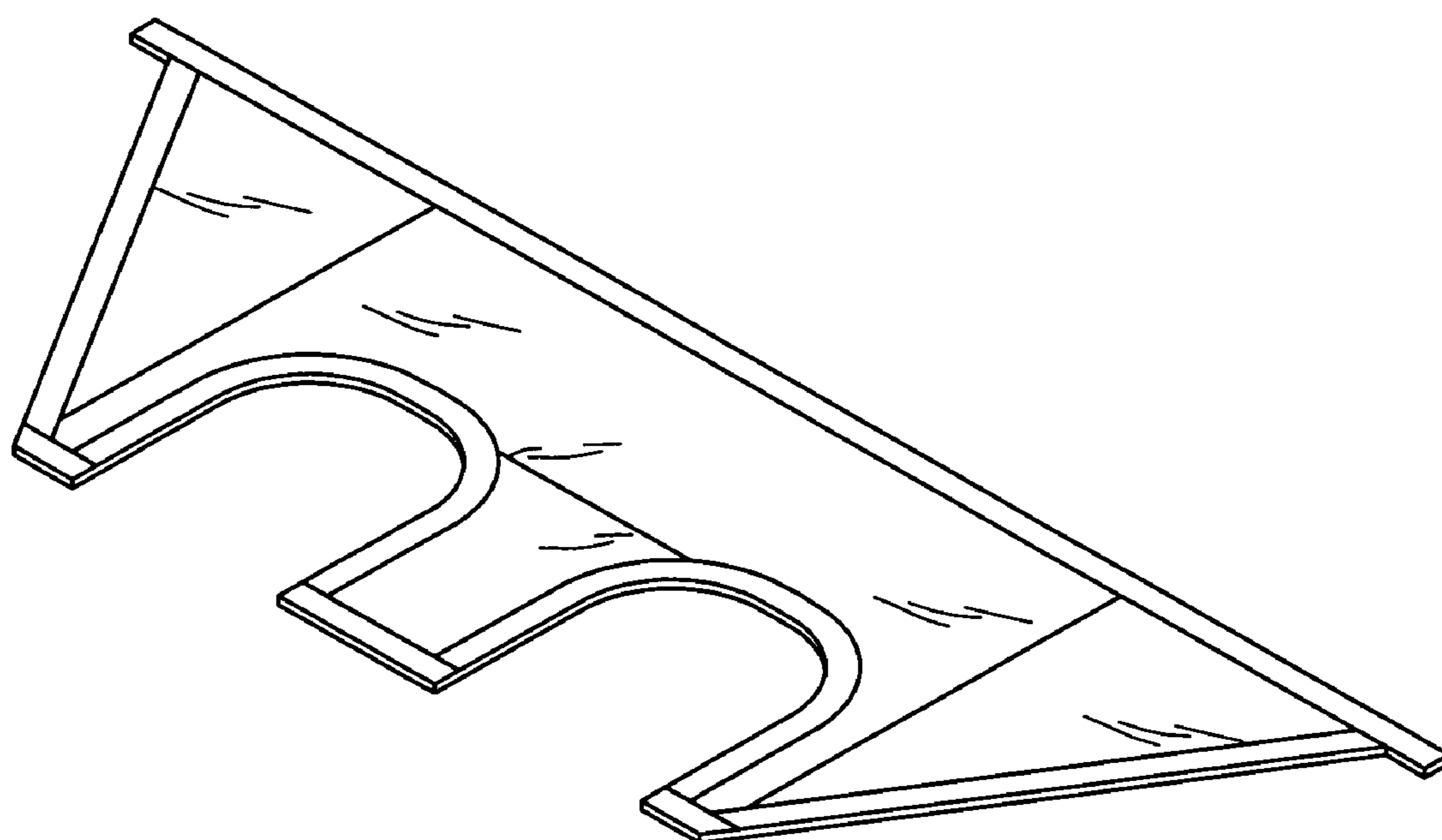
(56) **References Cited**

U.S. PATENT DOCUMENTS

D267,863 S \* 2/1983 Nakao et al. .... D12/129  
D279,362 S \* 6/1985 Sink ..... D12/133  
D320,370 S \* 10/1991 Takahashi et al. .... D12/129  
5,203,612 A \* 4/1993 Pokrzywinski ..... 297/466  
D335,642 S \* 5/1993 Huang ..... D12/129  
D369,994 S \* 5/1996 Cho ..... D12/129  
D370,437 S \* 6/1996 Siesholtz et al. .... D12/129  
D396,673 S \* 8/1998 Micoley ..... D12/129  
D398,884 S \* 9/1998 King et al. .... D12/129  
D412,467 S \* 8/1999 Hartenstine ..... D12/129  
D421,940 S \* 3/2000 Gibson et al. .... D12/129

**1 Claim, 5 Drawing Sheets**





F I G. 1



FIG. 2



FIG. 3

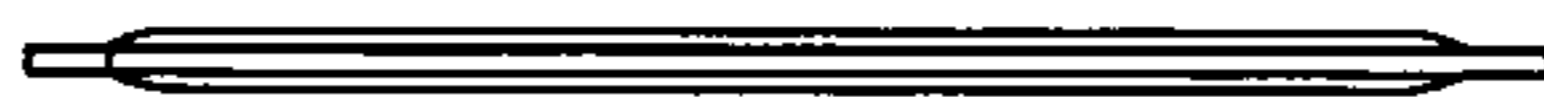


FIG. 4

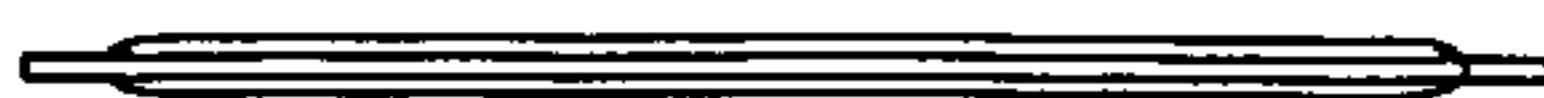


FIG. 5

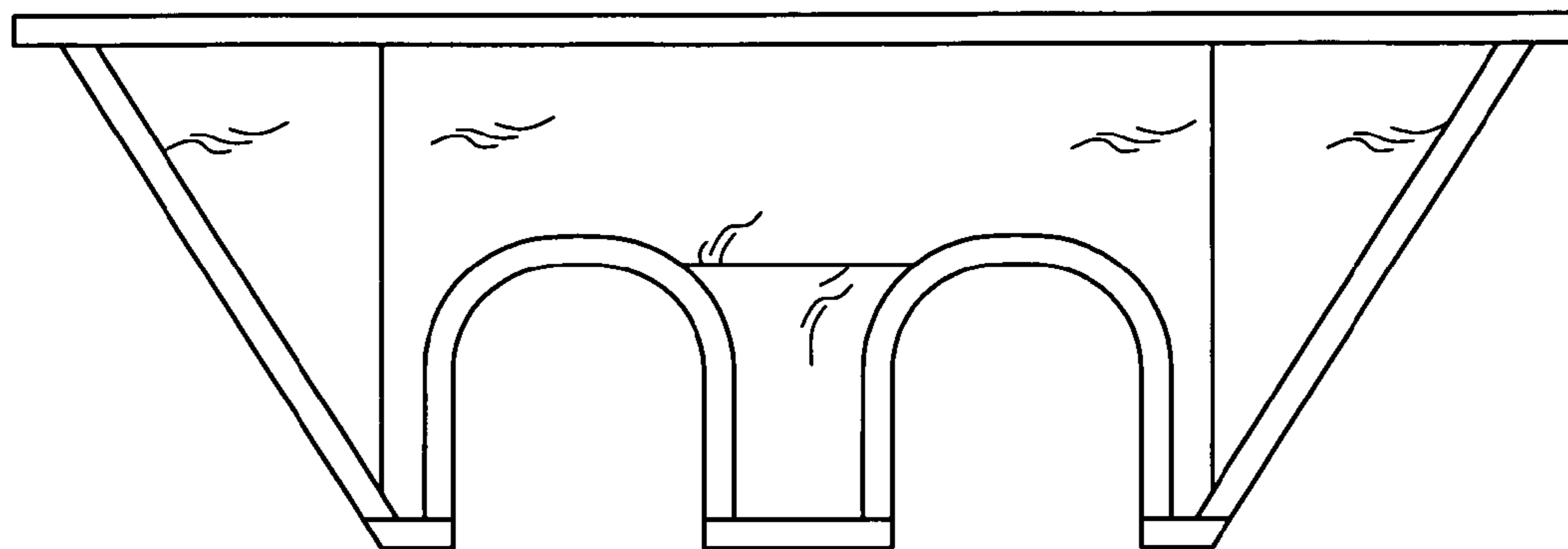


FIG. 6

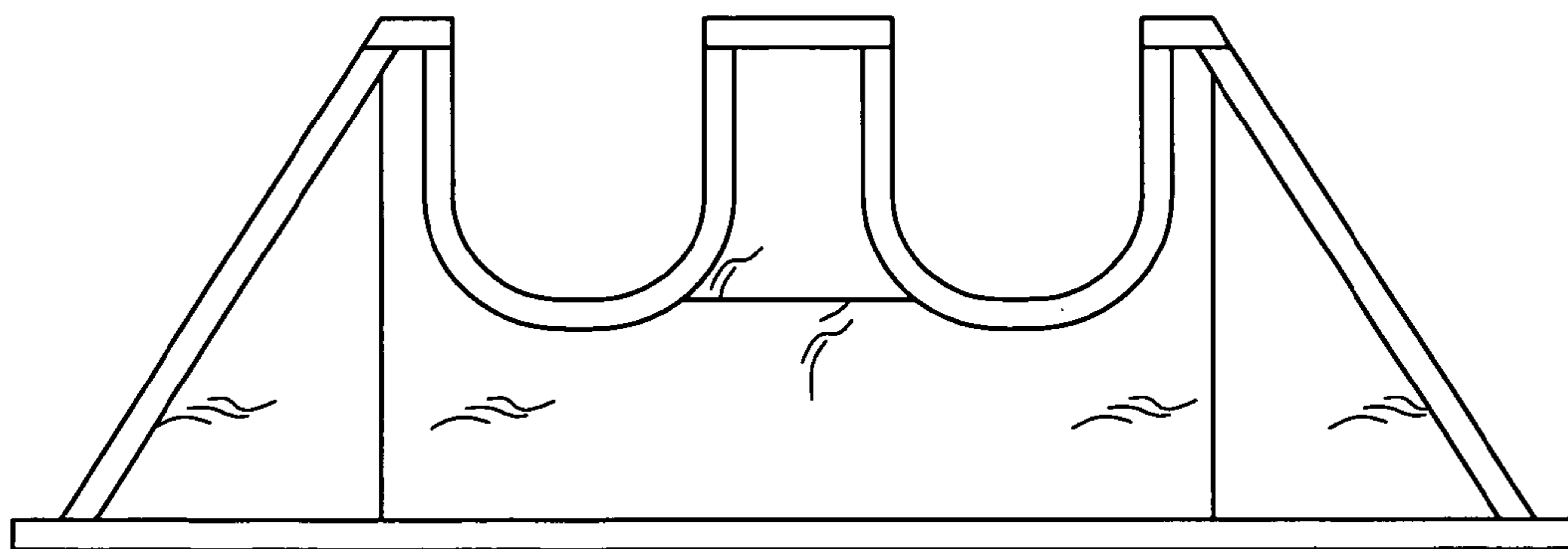


FIG. 7

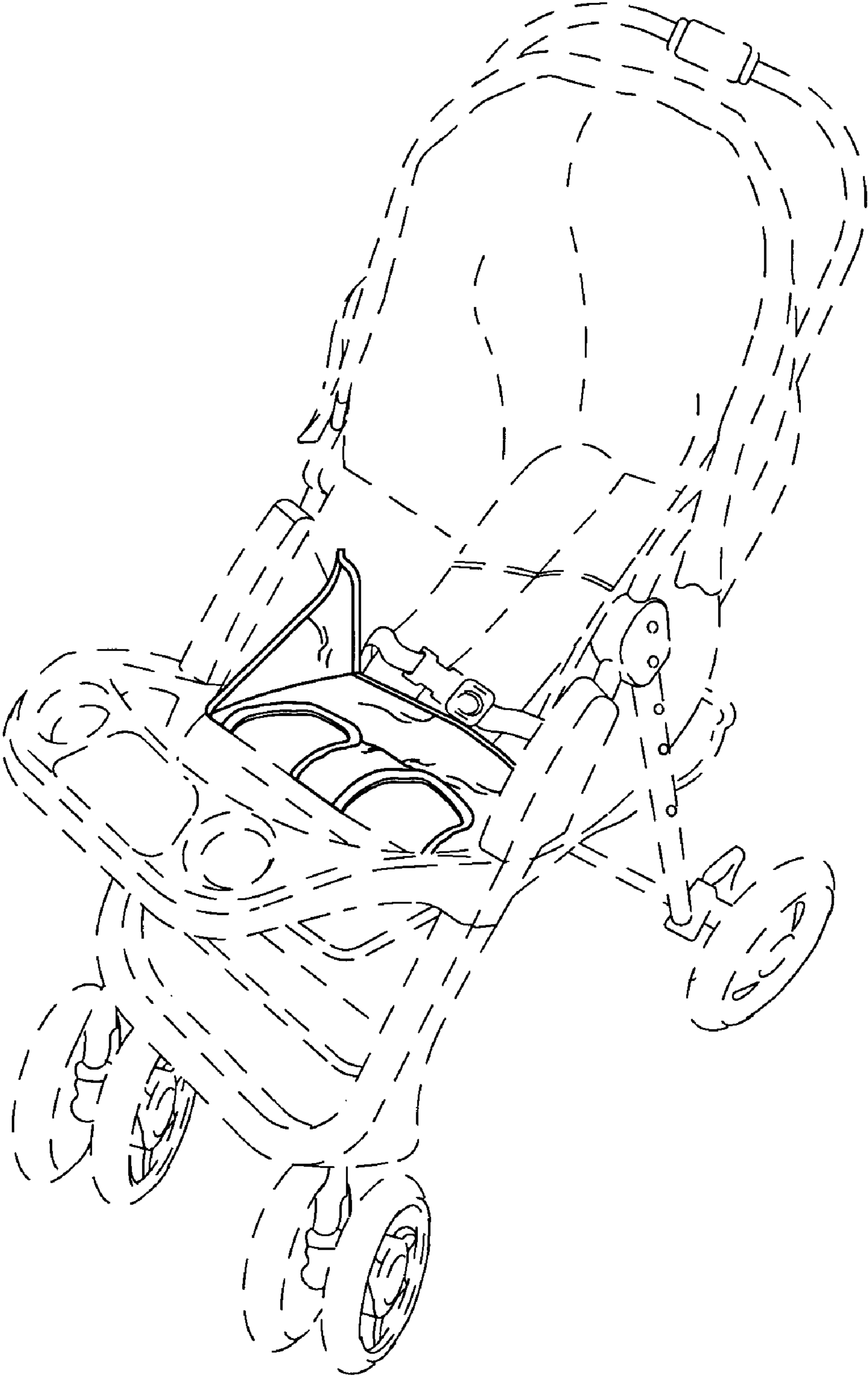
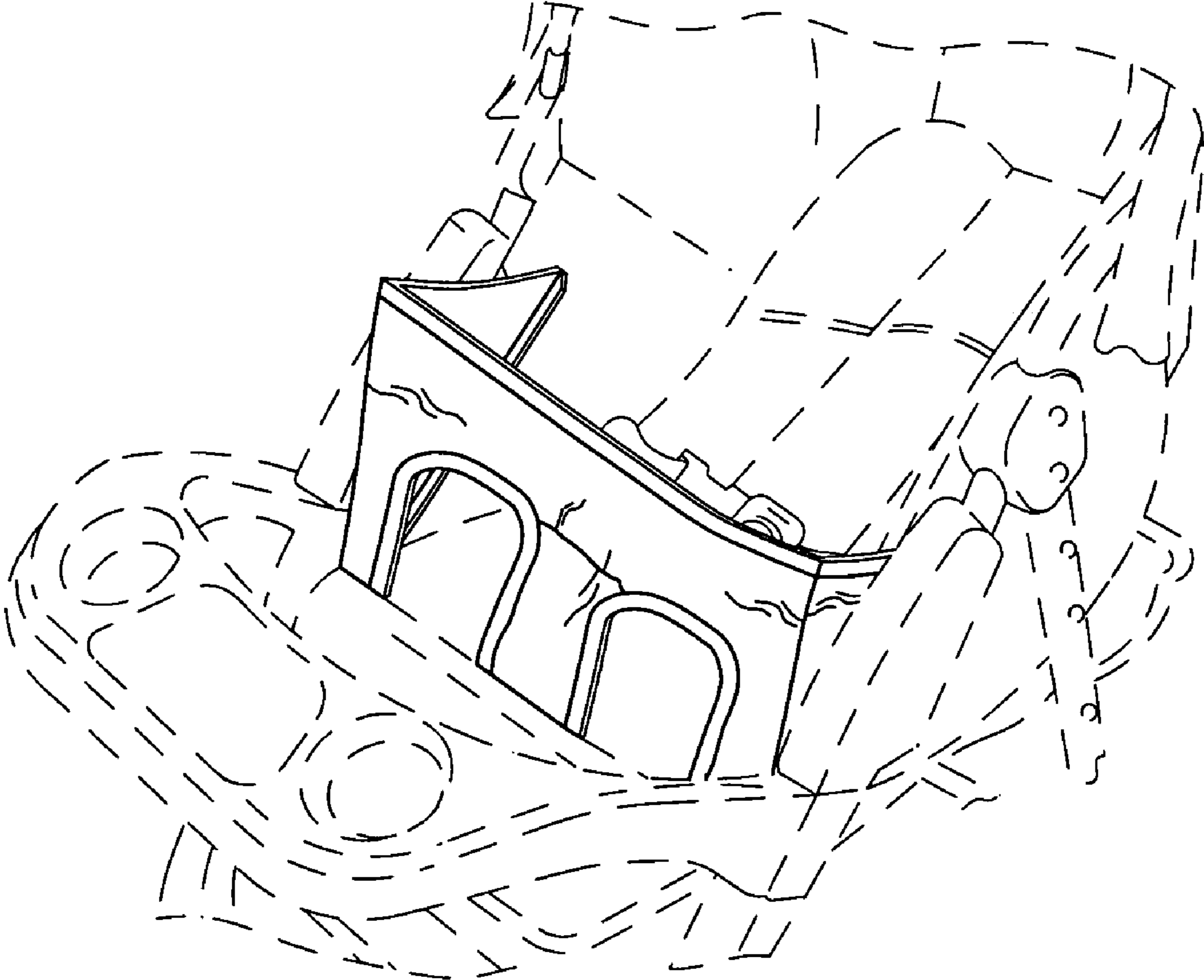


FIG. 8



F I G . 9