

US00D572948S

(12) **United States Design Patent**  
**Wakasugi et al.**

(10) **Patent No.:** **US D572,948 S**  
(45) **Date of Patent:** **\*\* Jul. 15, 2008**

(54) **CHAIR**

(75) Inventors: **Kouichi Wakasugi**, Tokyo (JP); **Yuji Inoue**, Tokyo (JP); **Atsuo Okamoto**, Tokyo (JP); **Motomi Kawakami**, Tokyo (JP)

(73) Assignee: **Uchida Yoko Co., Ltd.**, Tokyo (JP)

(\*\*) Term: **14 Years**

(21) Appl. No.: **29/257,891**

(22) Filed: **Apr. 13, 2006**

(30) **Foreign Application Priority Data**

Oct. 14, 2005 (JP) ..... D2005-030065

(51) **LOC (8) Cl.** ..... **06-06**

(52) **U.S. Cl.** ..... **D6/500; D6/366**

(58) **Field of Classification Search** ..... D6/334-336,  
D6/364, 365, 366, 367, 369, 379, 380, 500-50;  
297/284.4, 411.27, 452.29, 452.3, 452.56,  
297/452.64

See application file for complete search history.

(56) **References Cited**

**U.S. PATENT DOCUMENTS**

D486,656 S \* 2/2004 Su ..... D6/366  
6,729,691 B2 \* 5/2004 Koepke et al. .... 297/452.56  
D493,627 S \* 8/2004 Ma ..... D6/366

D505,798 S \* 6/2005 Seiler ..... D6/366  
D507,124 S \* 7/2005 Yang ..... D6/366  
D514,832 S \* 2/2006 Tsai ..... D6/366  
D527,920 S \* 9/2006 Giugiaro ..... D6/366  
D528,810 S \* 9/2006 Giugiaro ..... D6/366  
D528,811 S \* 9/2006 Giugiaro ..... D6/366  
D534,384 S \* 1/2007 Su ..... D6/502

\* cited by examiner

*Primary Examiner*—Mimosa De

(74) *Attorney, Agent, or Firm*—Rader, Fishman & Grauer PLLC

(57) **CLAIM**

The ornamental design for a chair, as shown and described.

**DESCRIPTION**

FIG. 1 is a front elevational view of a chair showing our new design;

FIG. 2 is a rear elevational view thereof;

FIG. 3 is a top plan view thereof;

FIG. 4 is a bottom plan view thereof;

FIG. 5 is a right side elevational view thereof; and,

FIG. 6 is a left side elevational view thereof.

Portions of FIGS. 1-6 that are shown as broken lines are for illustrative purpose only and form no part of the claimed design.

**1 Claim, 6 Drawing Sheets**

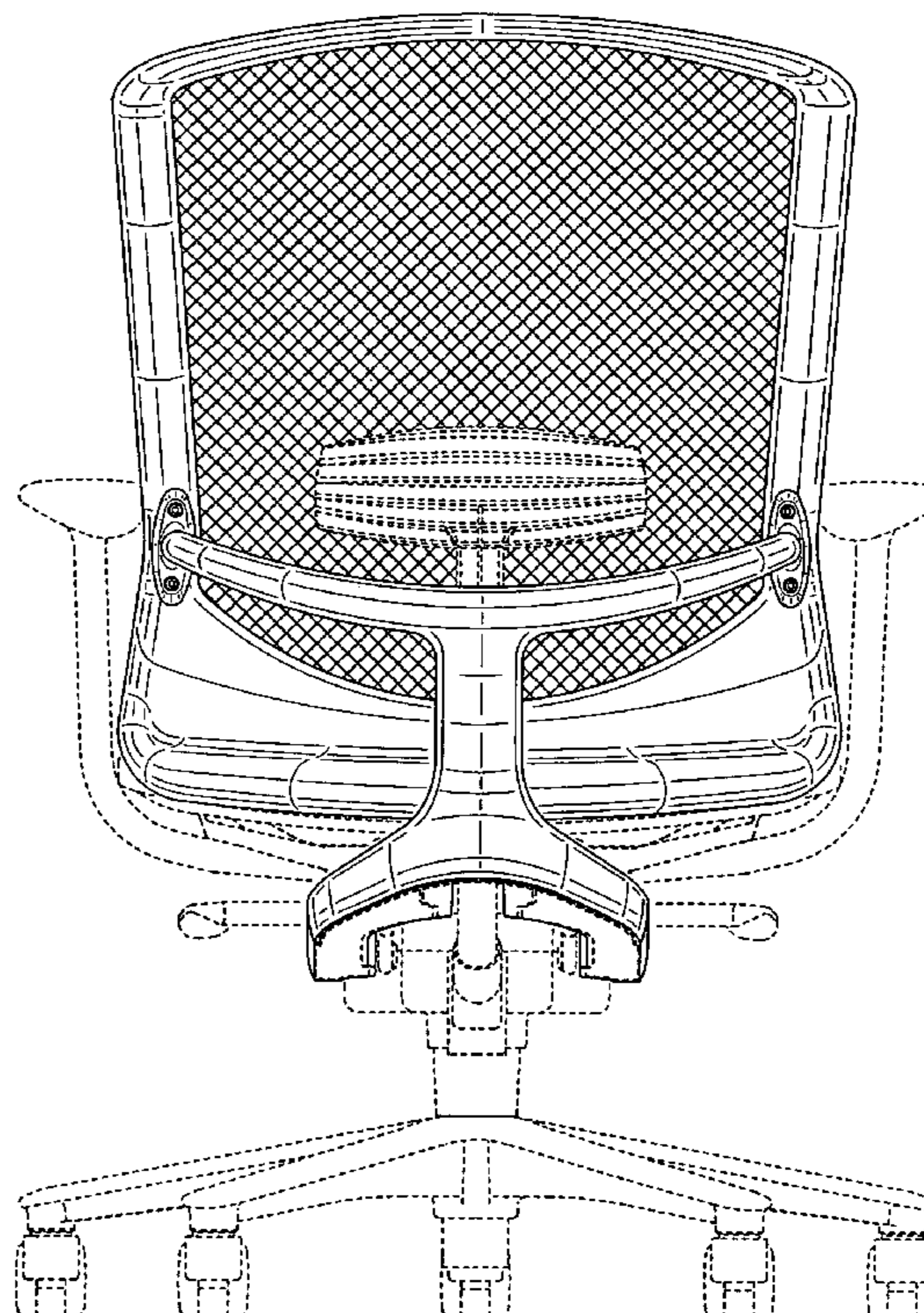
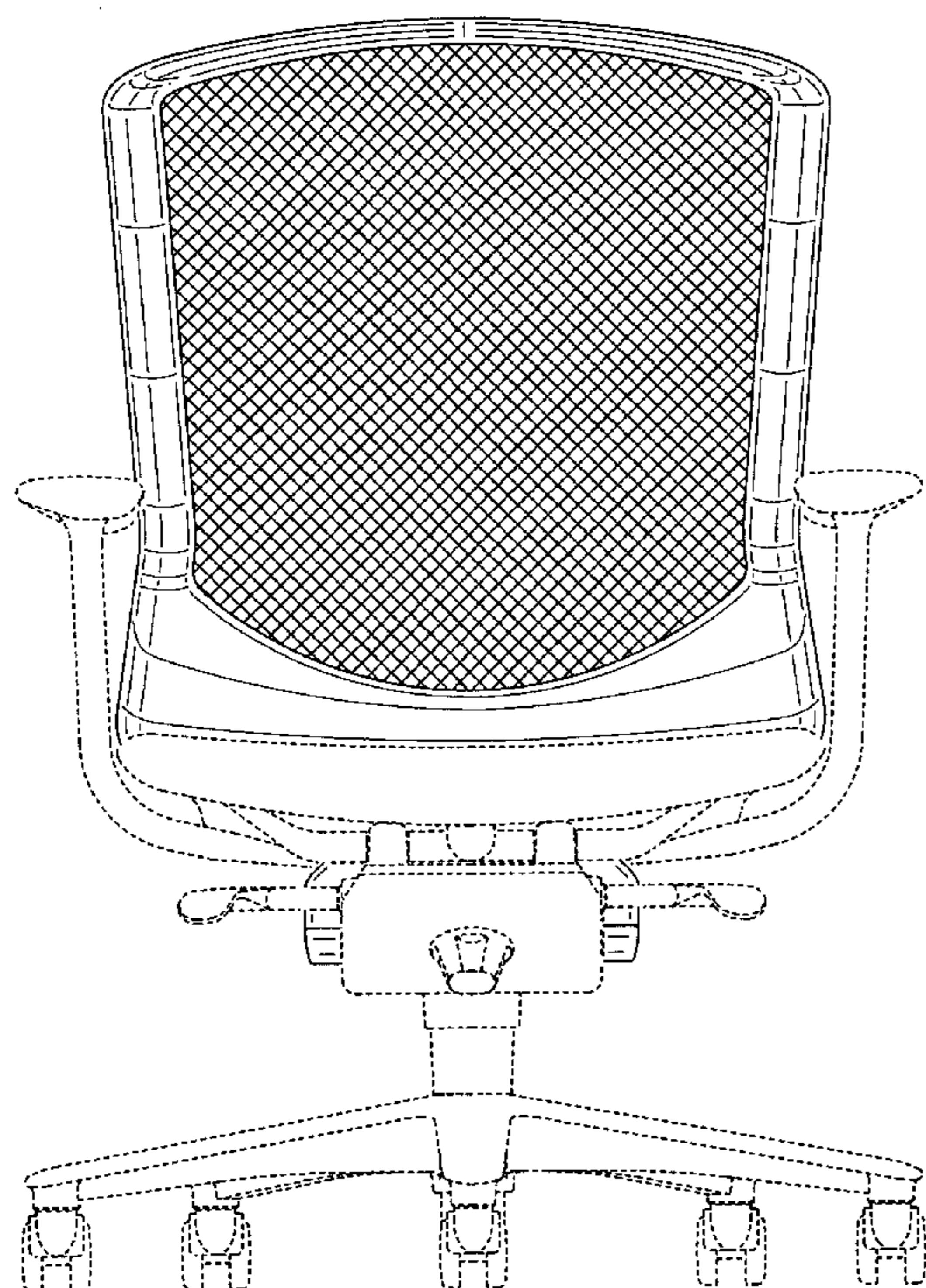


Fig. 1

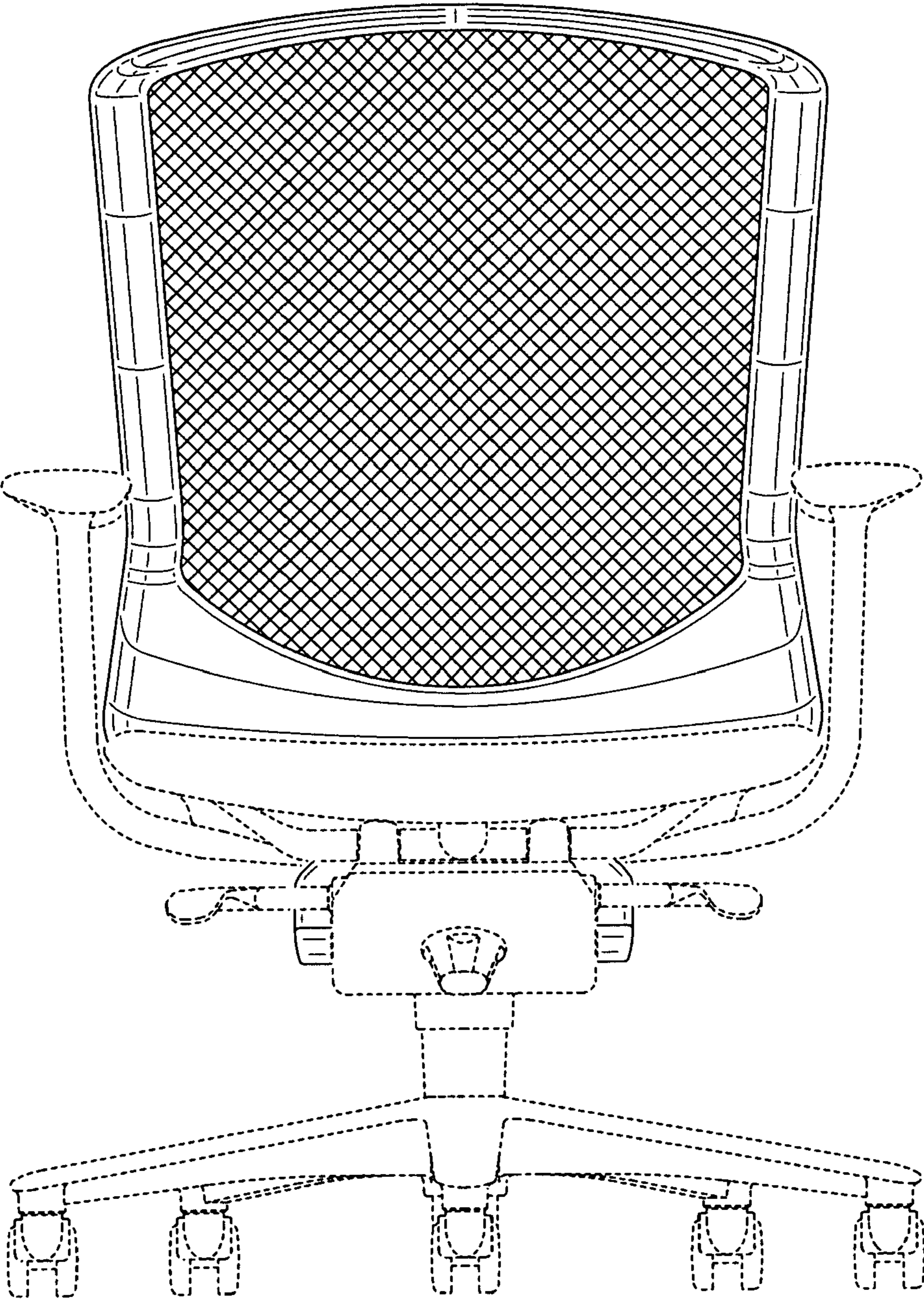


Fig.2

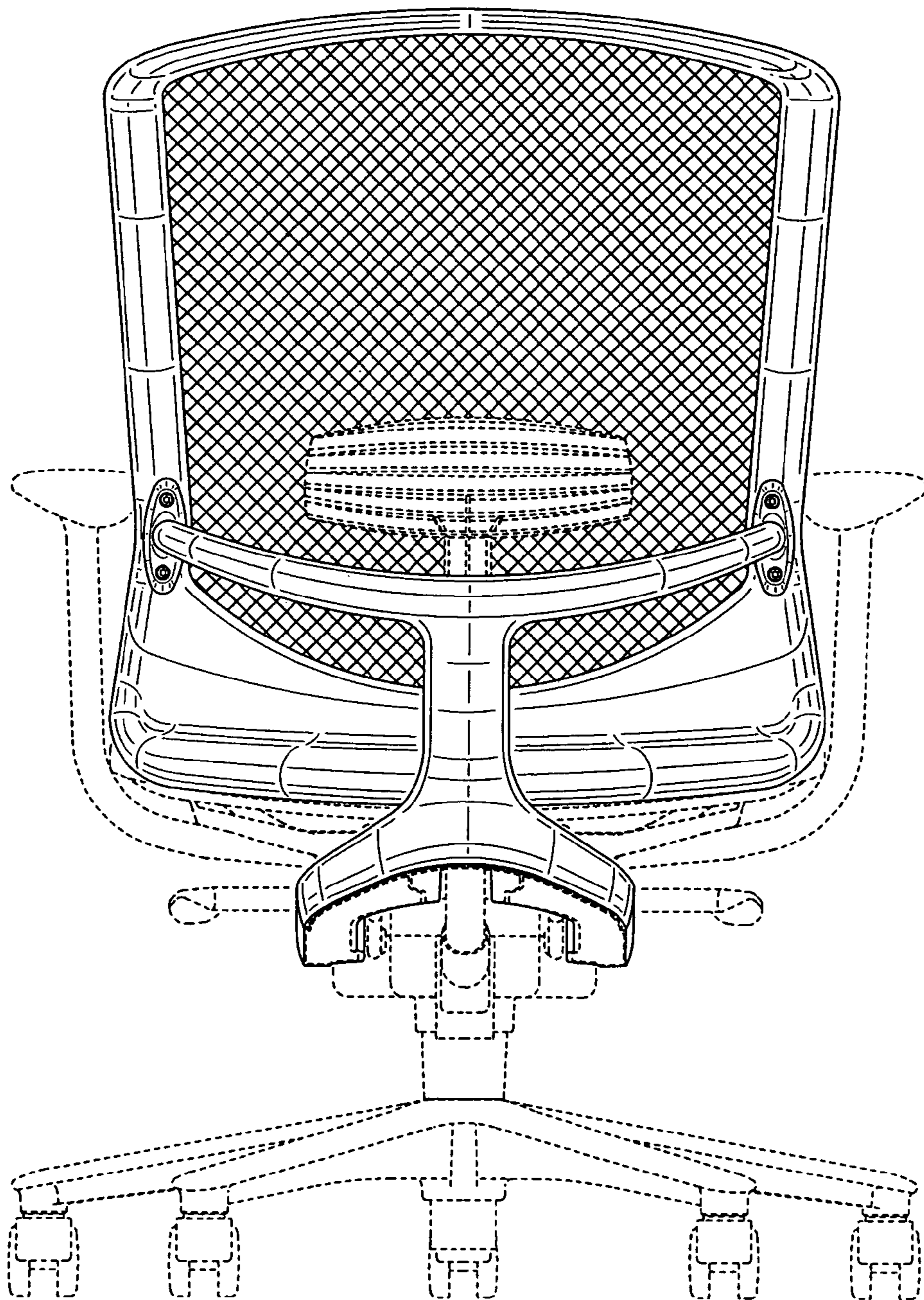


Fig.3

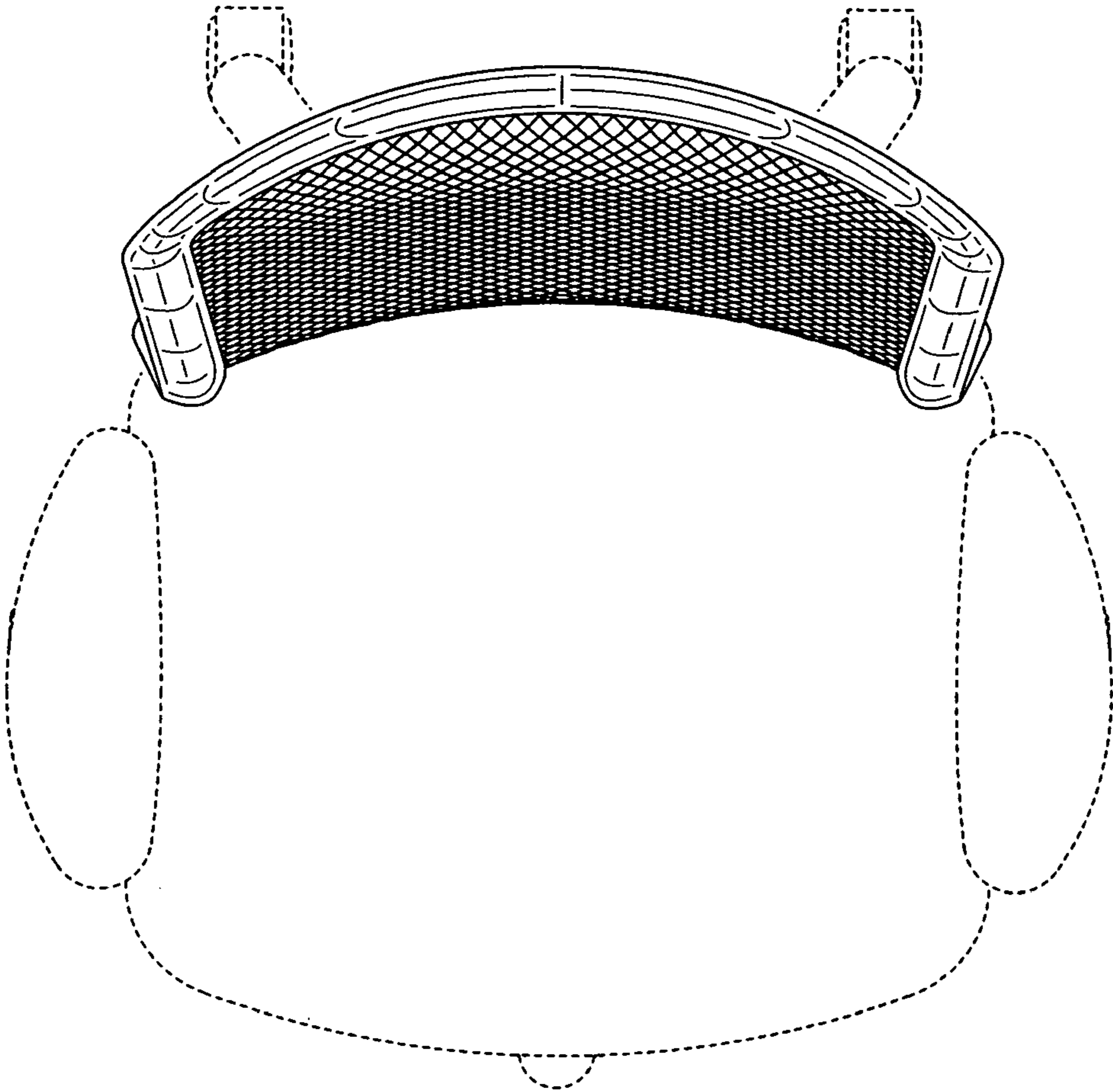


Fig.4

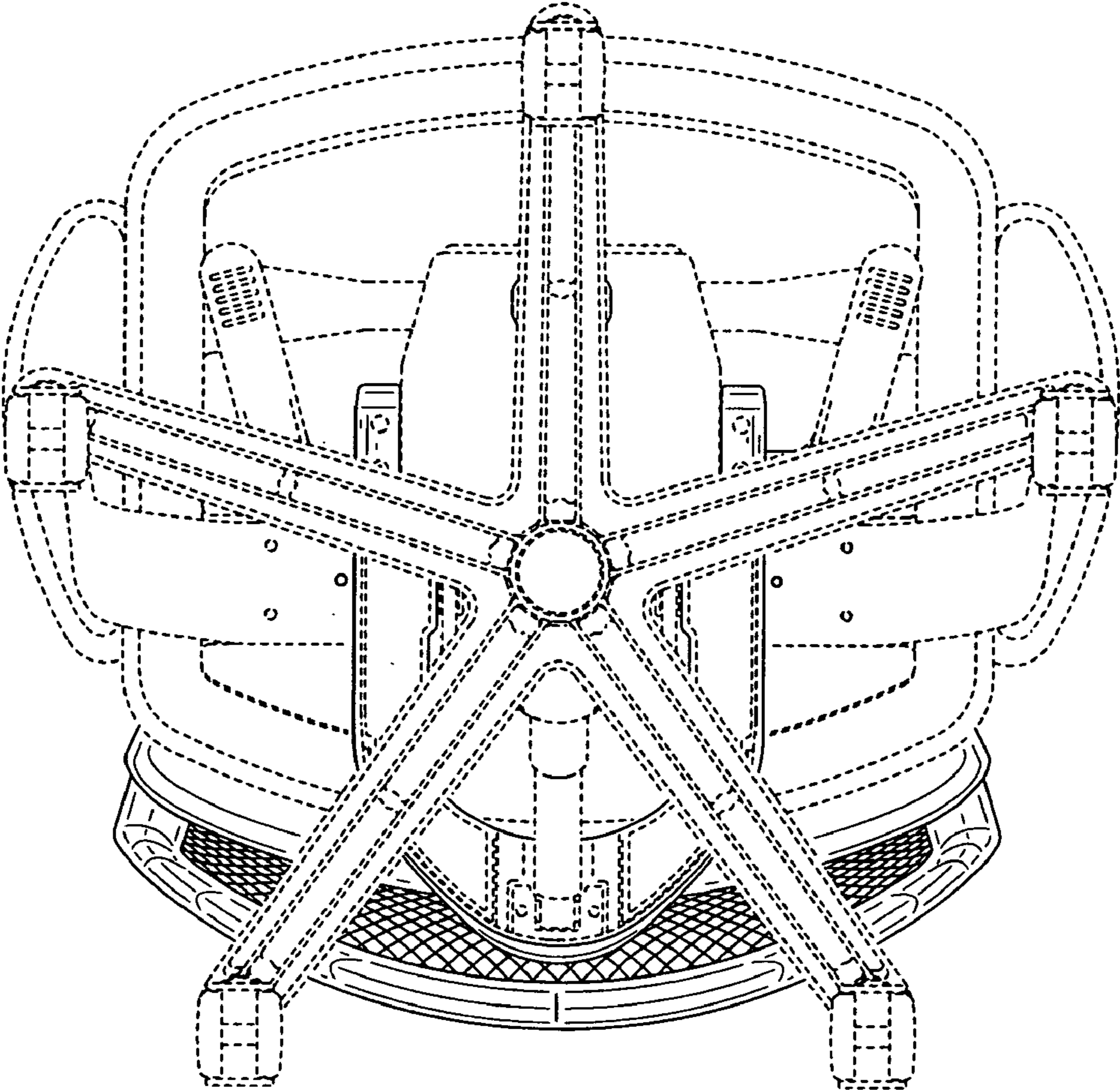


Fig.5

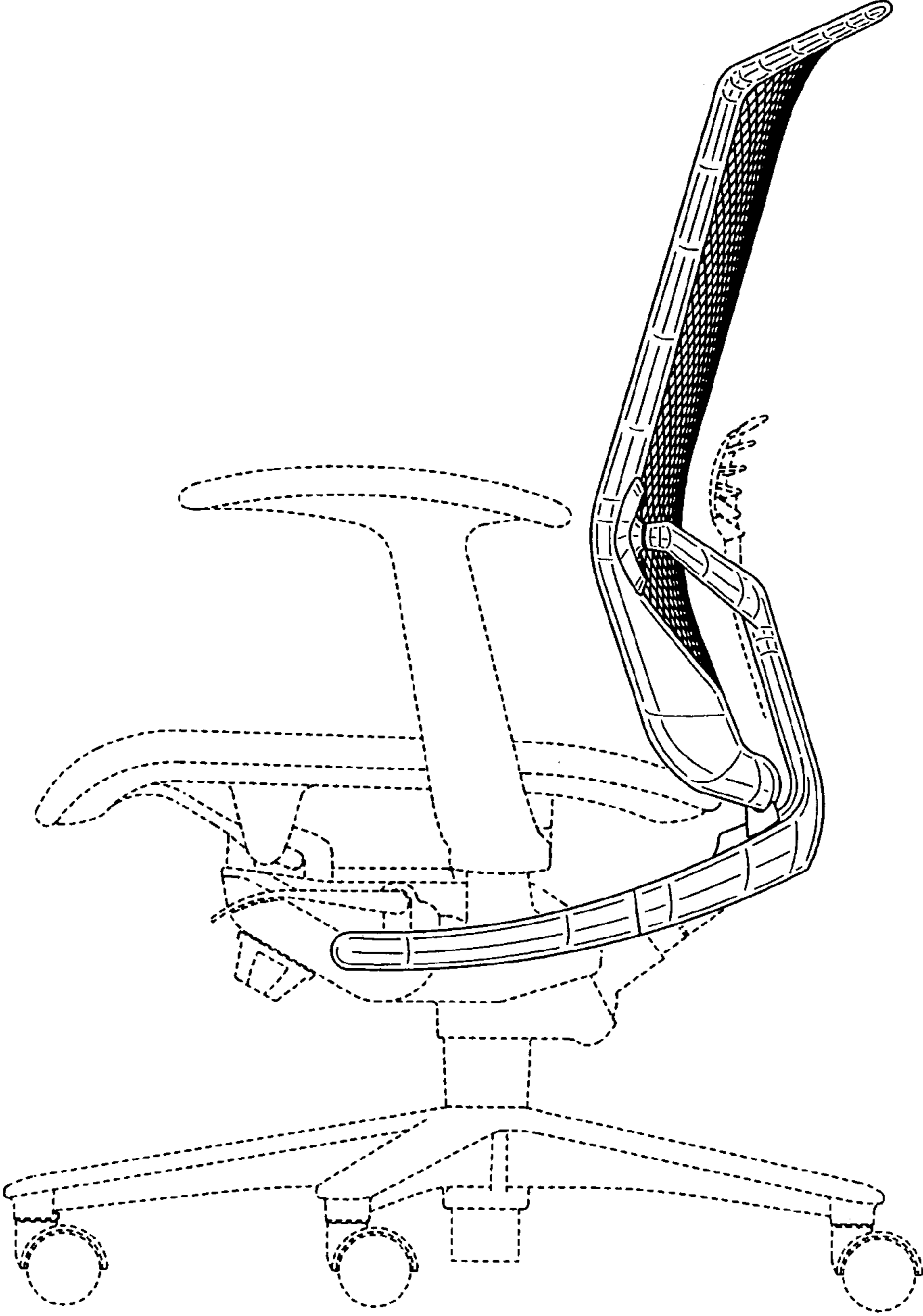


Fig.6

