



US00D572944S

(12) **United States Design Patent**
Sexton

(10) **Patent No.:** **US D572,944 S**

(45) **Date of Patent:** **** Jul. 15, 2008**

(54) **COMPONENT RACK**

(75) Inventor: **James S. Sexton**, San Ramon, CA (US)

(73) Assignee: **Z-Line Designs**, San Ramon, CA (US)

(**) Term: **14 Years**

(21) Appl. No.: **29/280,184**

(22) Filed: **May 18, 2007**

(51) **LOC (8) Cl.** **06-04**

(52) **U.S. Cl.** **D6/477**

(58) **Field of Classification Search** D6/474,
D6/477, 479-478, 470, 460-461, 464-465;
D14/126, 133, 129; 211/41.14, 42-43, 133.1,
211/205; 312/7.1, 7.2, 9.1, 111, 249.6, 249.8
See application file for complete search history.

(56) **References Cited**

U.S. PATENT DOCUMENTS

D472,075 S *	3/2003	de Carolis	D6/479
D489,548 S *	5/2004	Malizia	D6/477
D491,753 S *	6/2004	deCarolis	D6/479
D505,572 S *	5/2005	Chang	D6/474
D506,329 S *	6/2005	Sexton	D6/477
D507,128 S *	7/2005	Choo	D6/477
D507,433 S *	7/2005	Portnoy	D6/477
D517,350 S *	3/2006	Sexton	D6/479
D519,757 S *	5/2006	Portnoy	D6/479
D525,052 S *	7/2006	Malizia	D6/474
D539,565 S *	4/2007	Sexton, III	D6/474
D562,593 S *	2/2008	Zambelli	D6/474

* cited by examiner

Primary Examiner—Elizabeth A. Albert

Assistant Examiner—Kelley A Donnelly

(74) *Attorney, Agent, or Firm*—Townsend and Townsend and Crew LLP

(57) **CLAIM**

The ornamental design for a component rack, as shown and described.

DESCRIPTION

FIG. 1 is a perspective view of a component rack showing my new design;

FIG. 2 is a left side elevational view thereof;

FIG. 3 is a right side elevational view thereof;

FIG. 4 is a front elevational view thereof;

FIG. 5 is a rear elevational view thereof;

FIG. 6 is a top plan view thereof;

FIG. 7 is a bottom plan view thereof.

FIG. 8 is a perspective view of a second embodiment of a component rack showing my new design;

FIG. 9 is a left side elevational view thereof;

FIG. 10 is a right side elevational view thereof;

FIG. 11 is a front elevational view thereof;

FIG. 12 is a rear elevational view thereof;

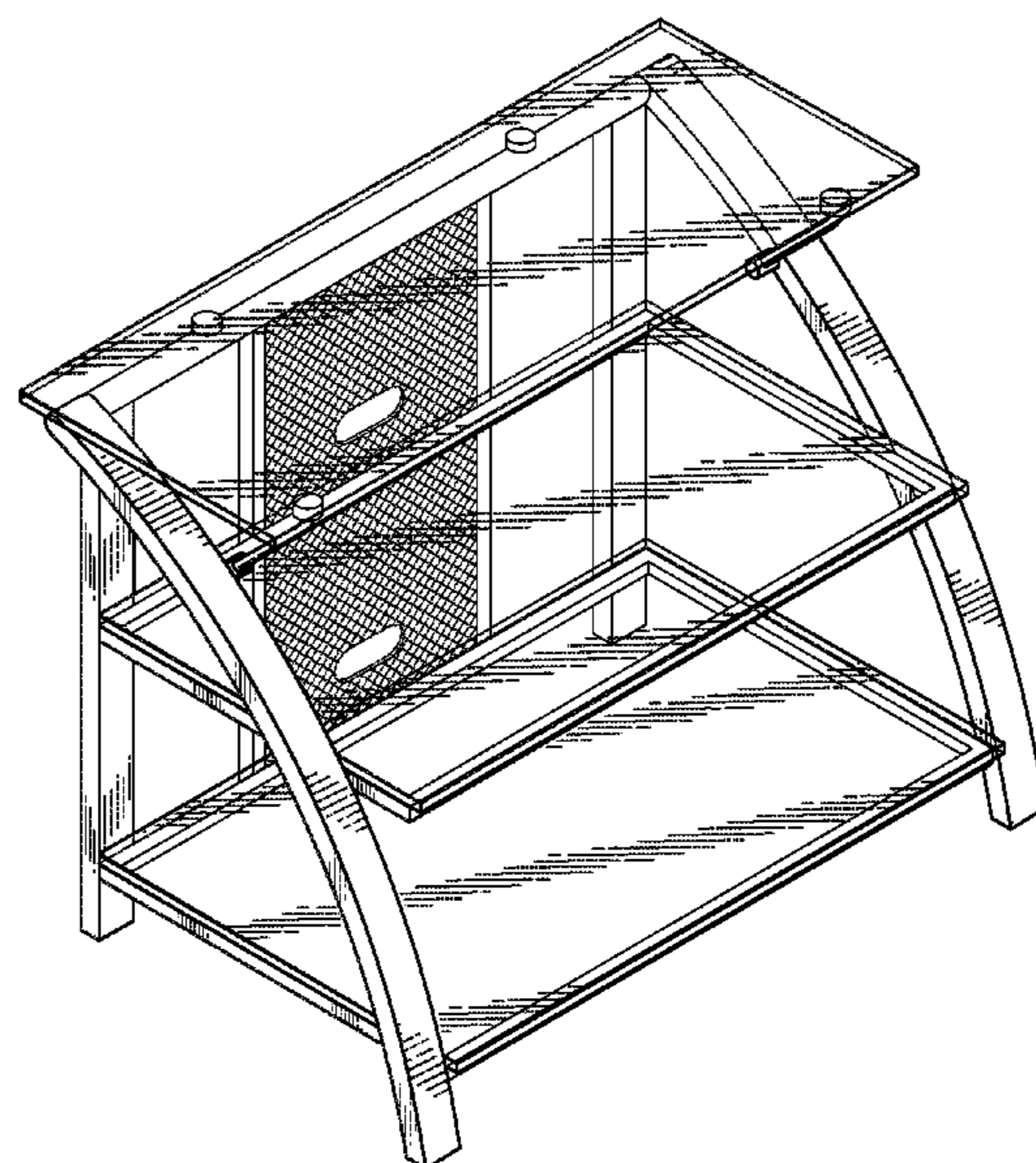
FIG. 13 is a top plan view thereof; and,

FIG. 14 is a bottom plan view thereof.

The “cross hatched” pattern that can be seen in FIGS. 1, 4, and 5 is used to represent a type of mesh, metal panel.

The broken lines showing the outline cut-outs in FIGS. 1, 4, 5, 8, 11, and 12 are for environmental purposes and form no part of the claimed design.

1 Claim, 8 Drawing Sheets



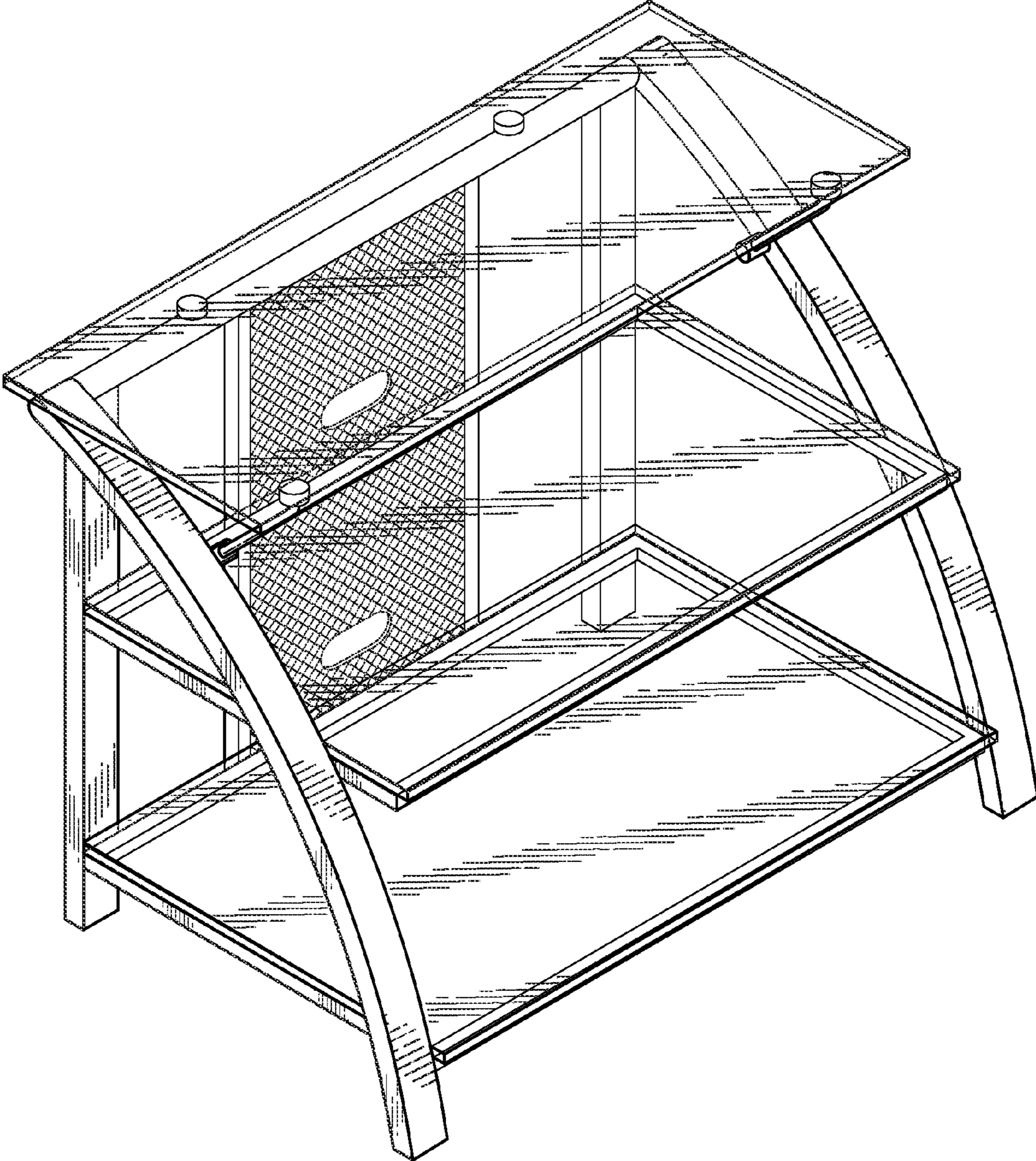


FIG. 1

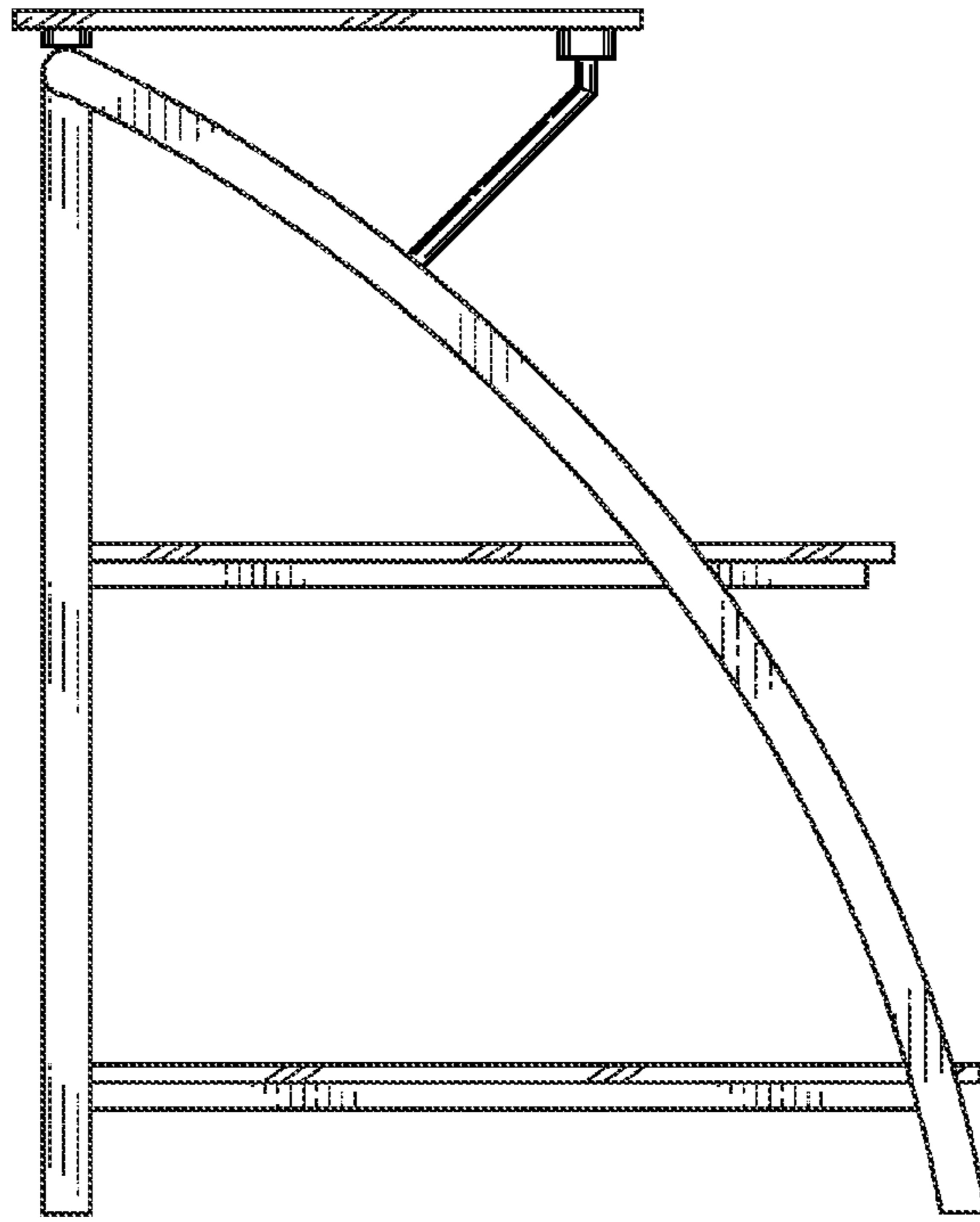


FIG. 2

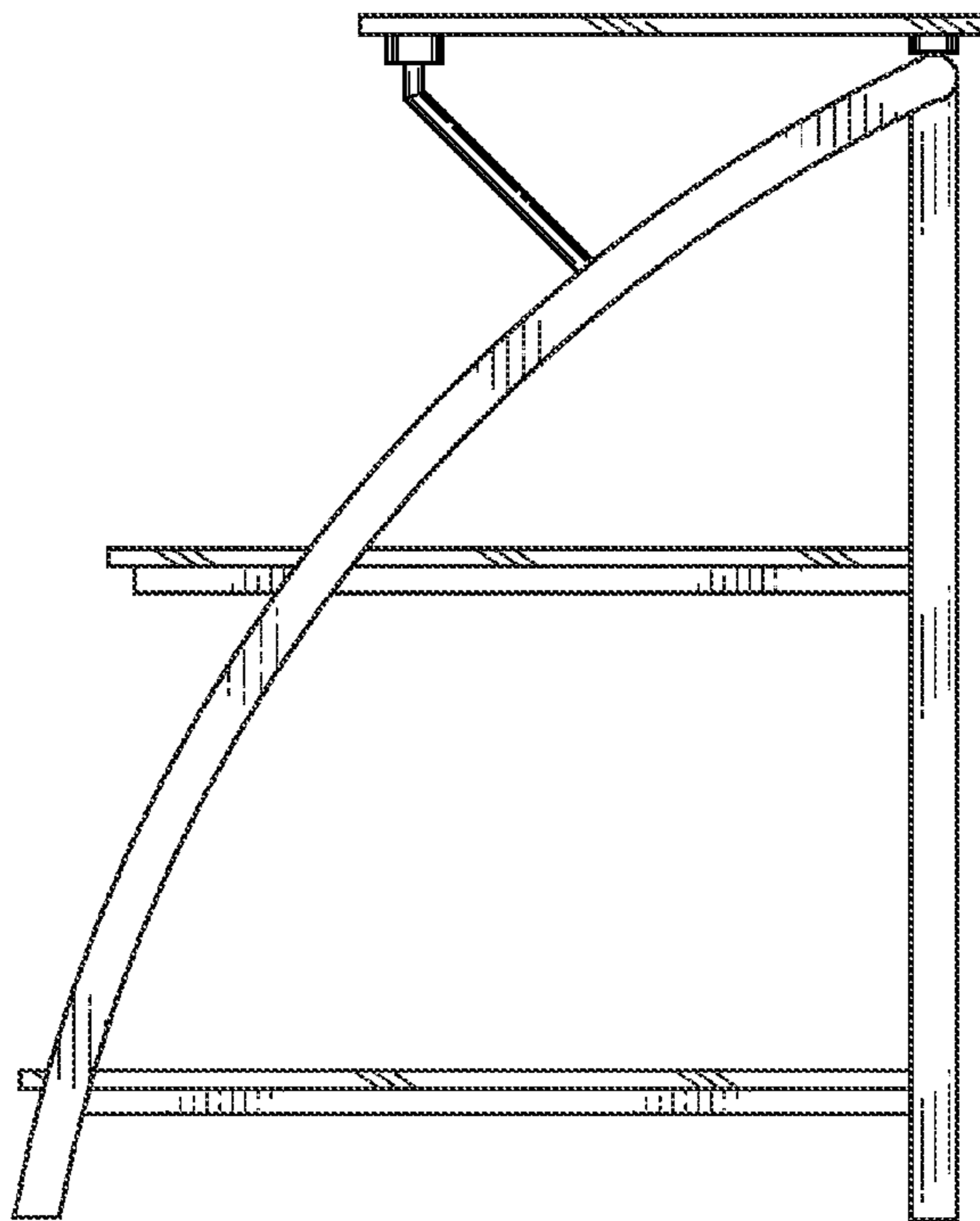


FIG. 3

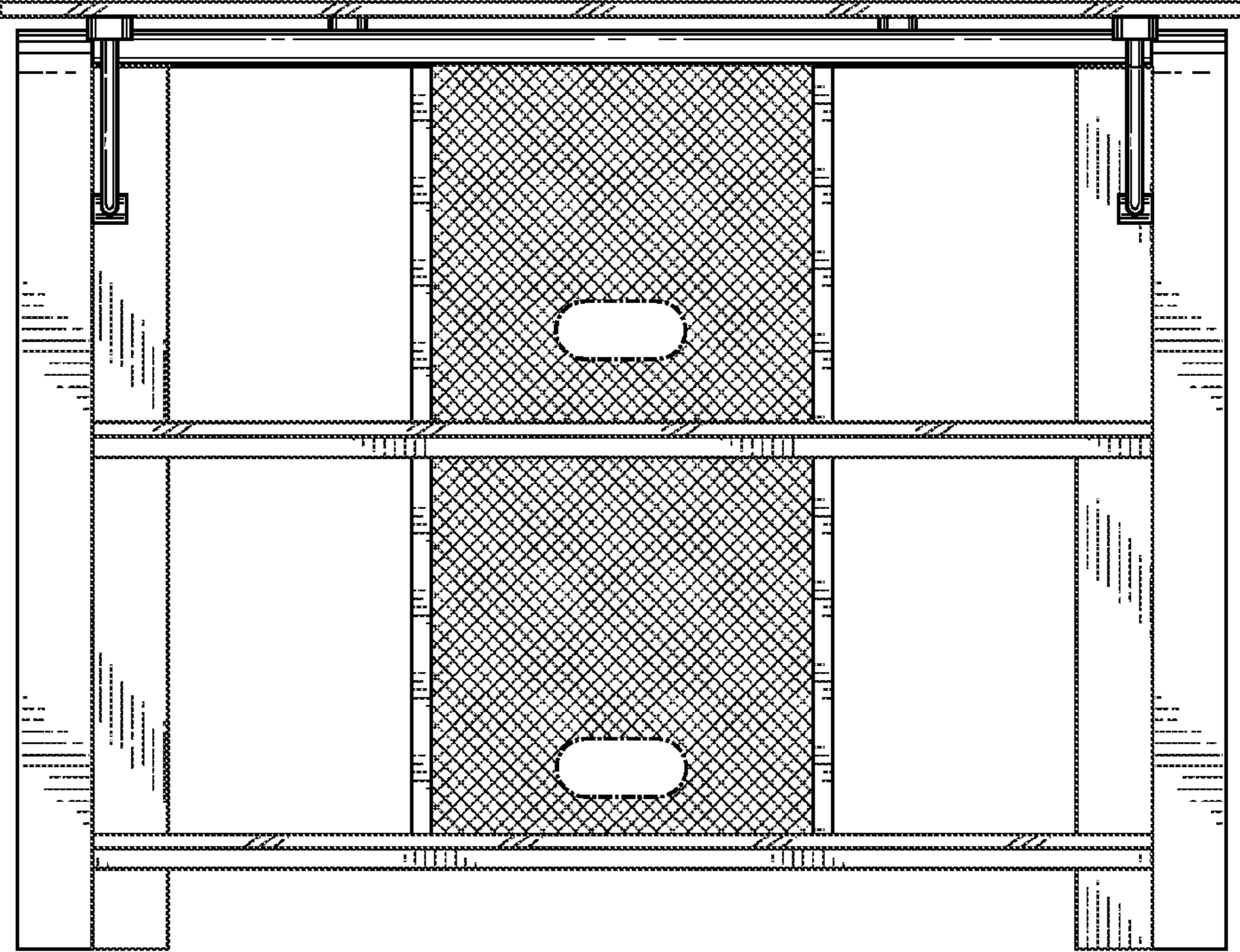


FIG. 4

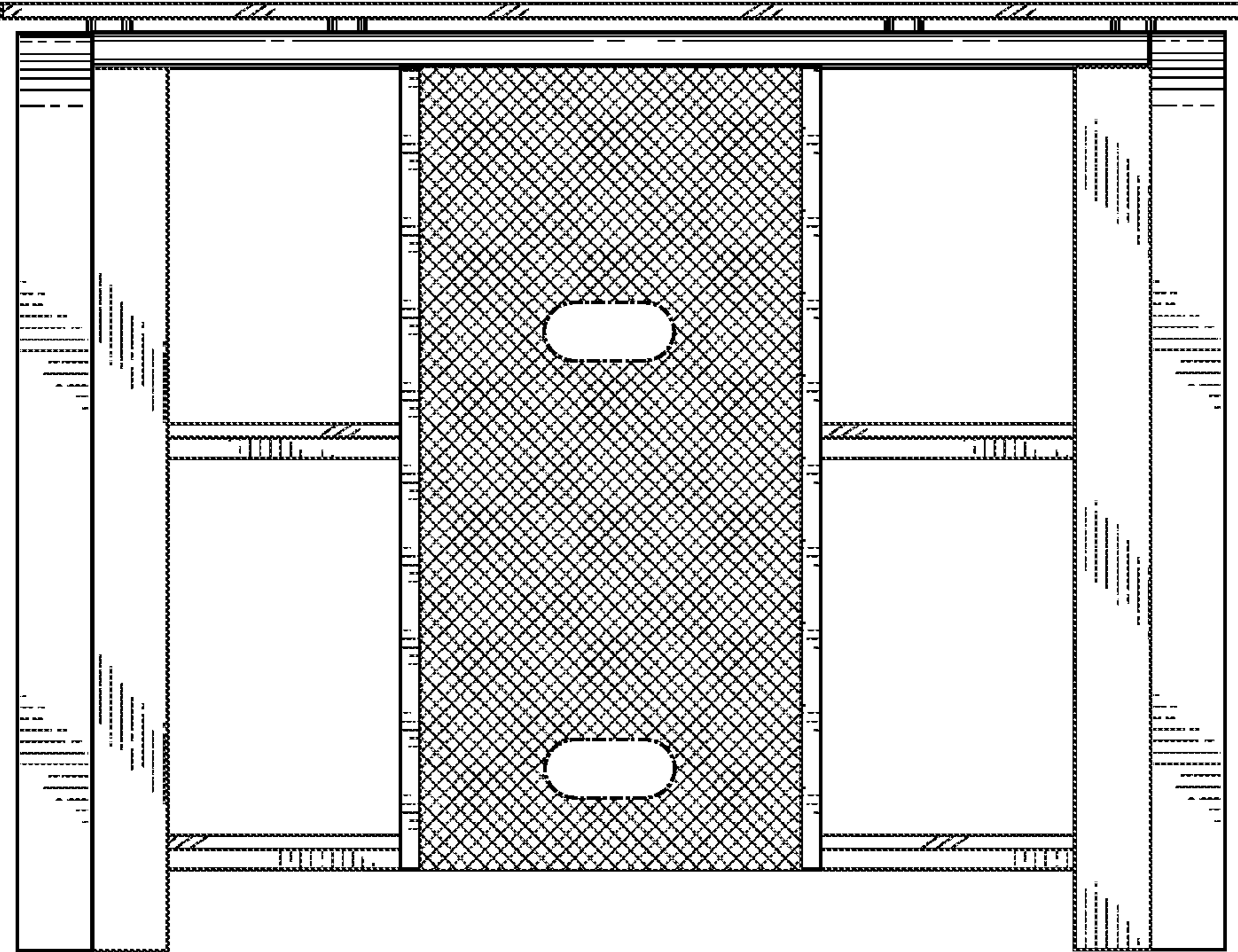


FIG. 5

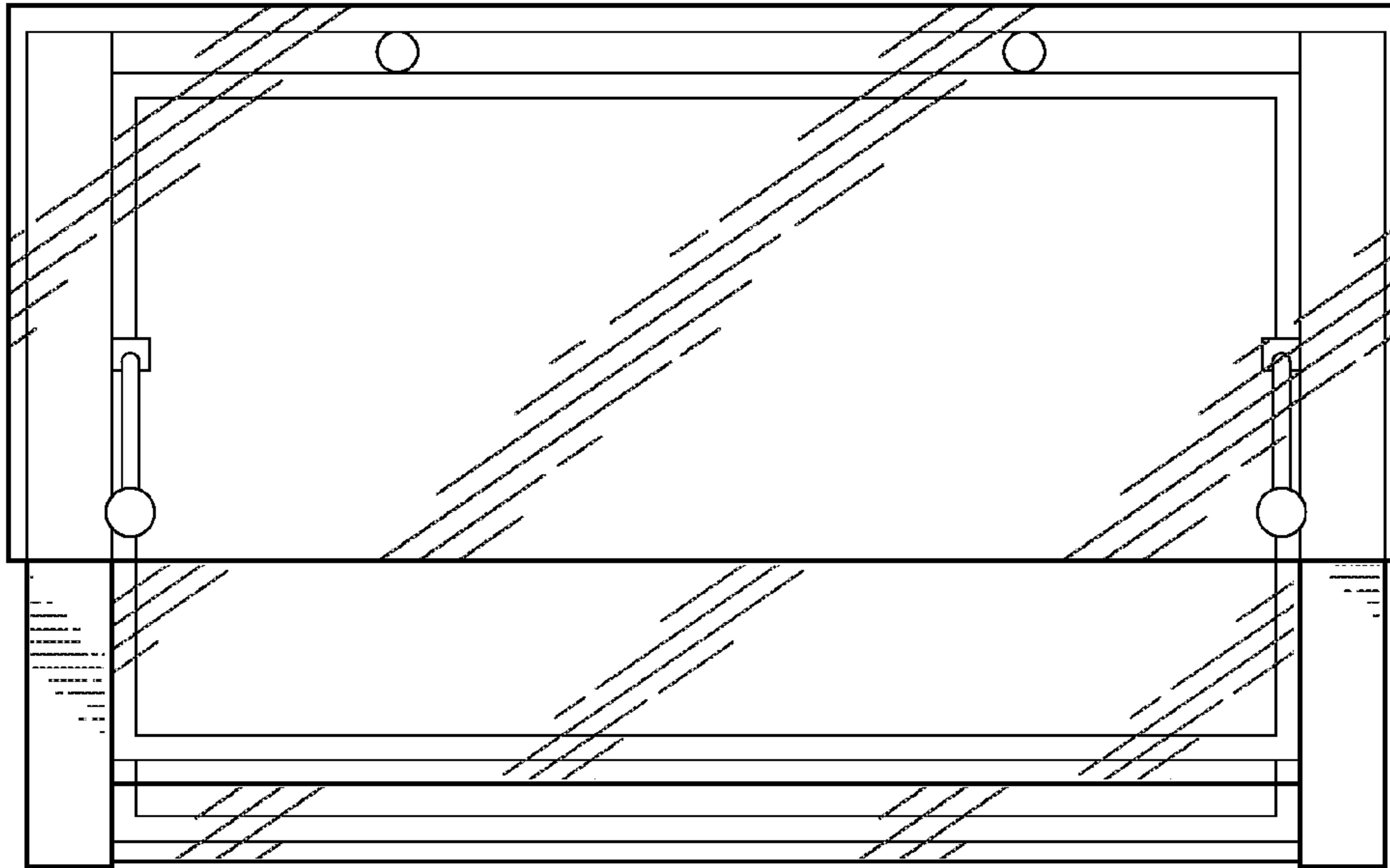


FIG. 6

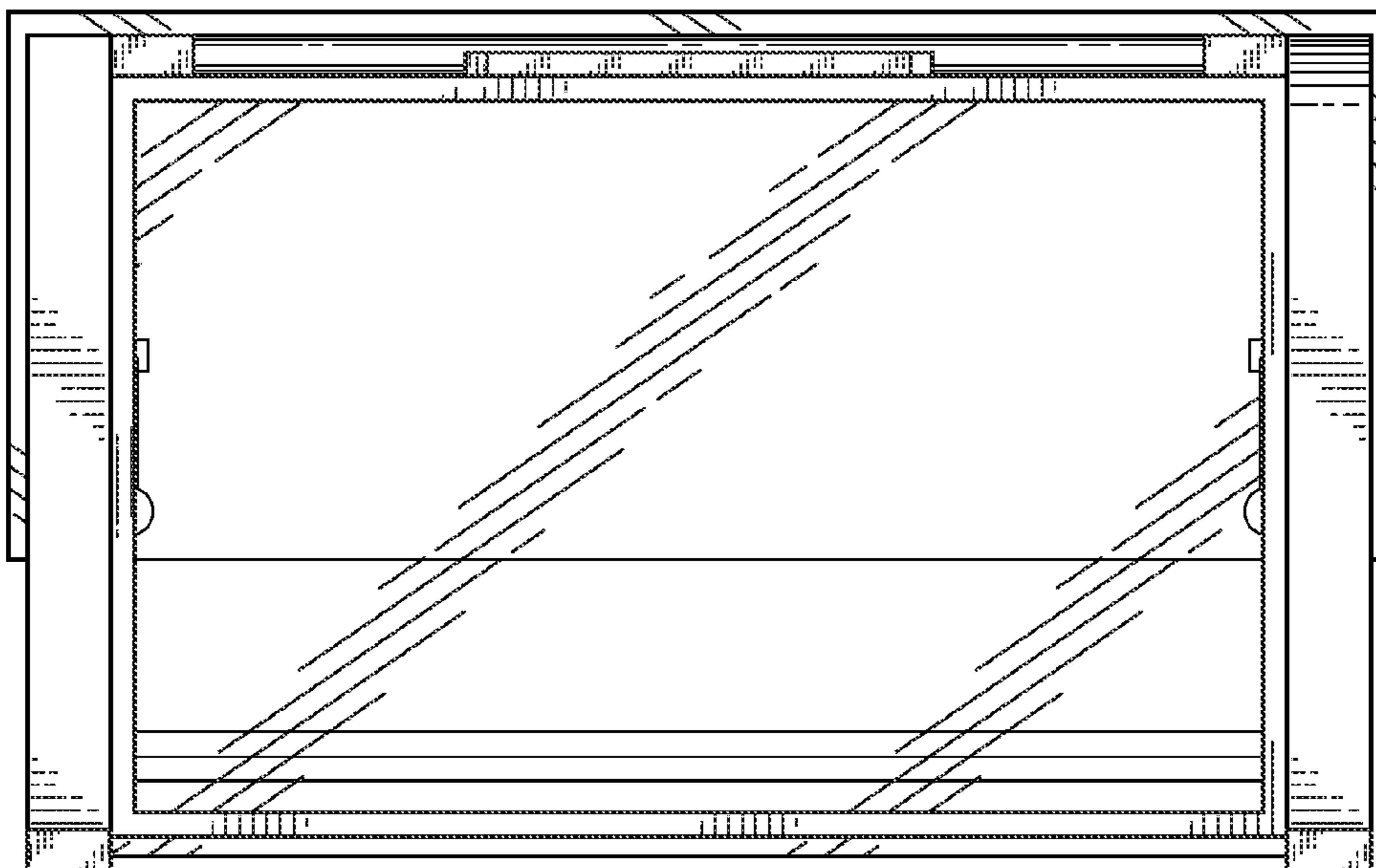


FIG. 7

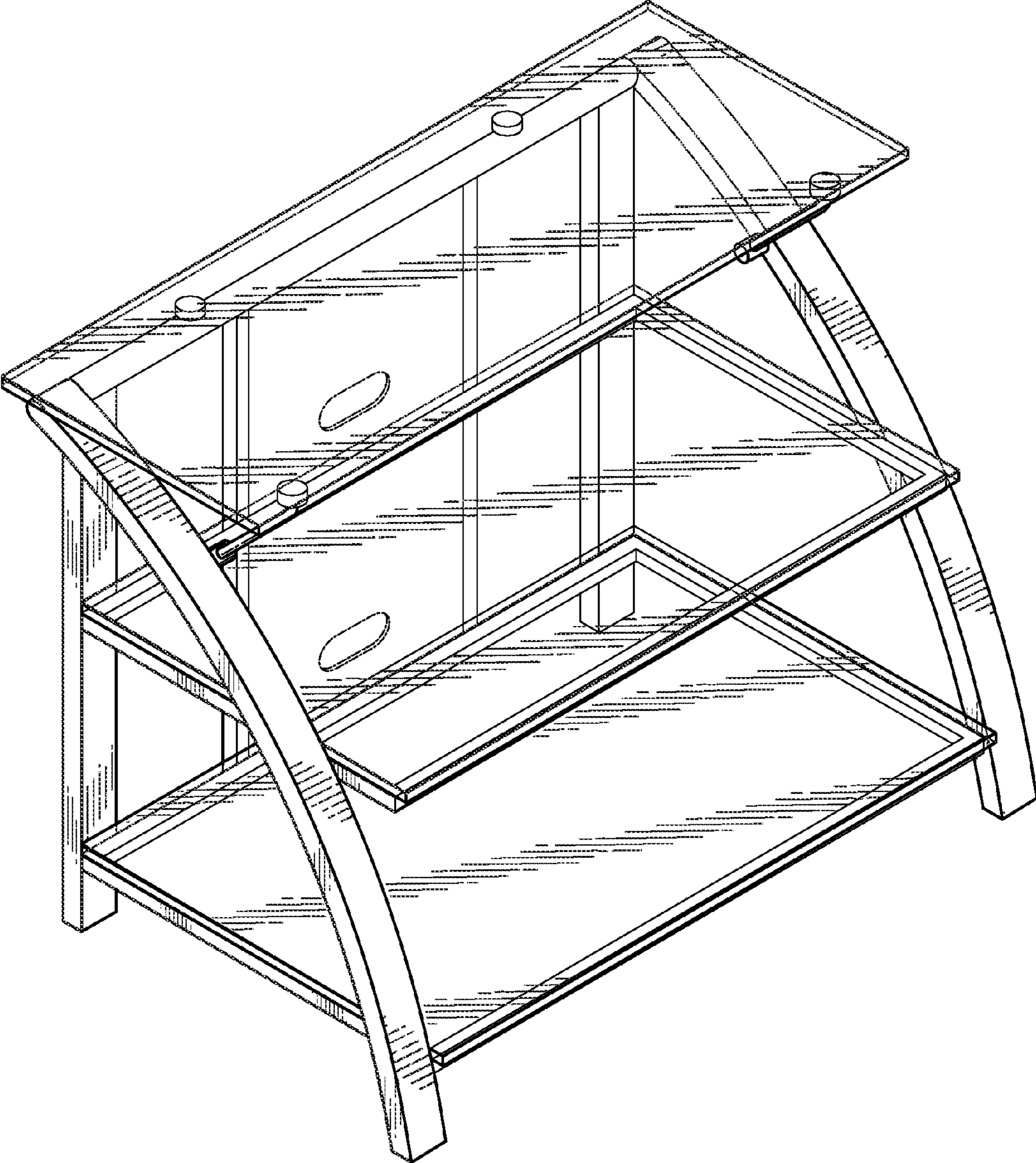


FIG. 8

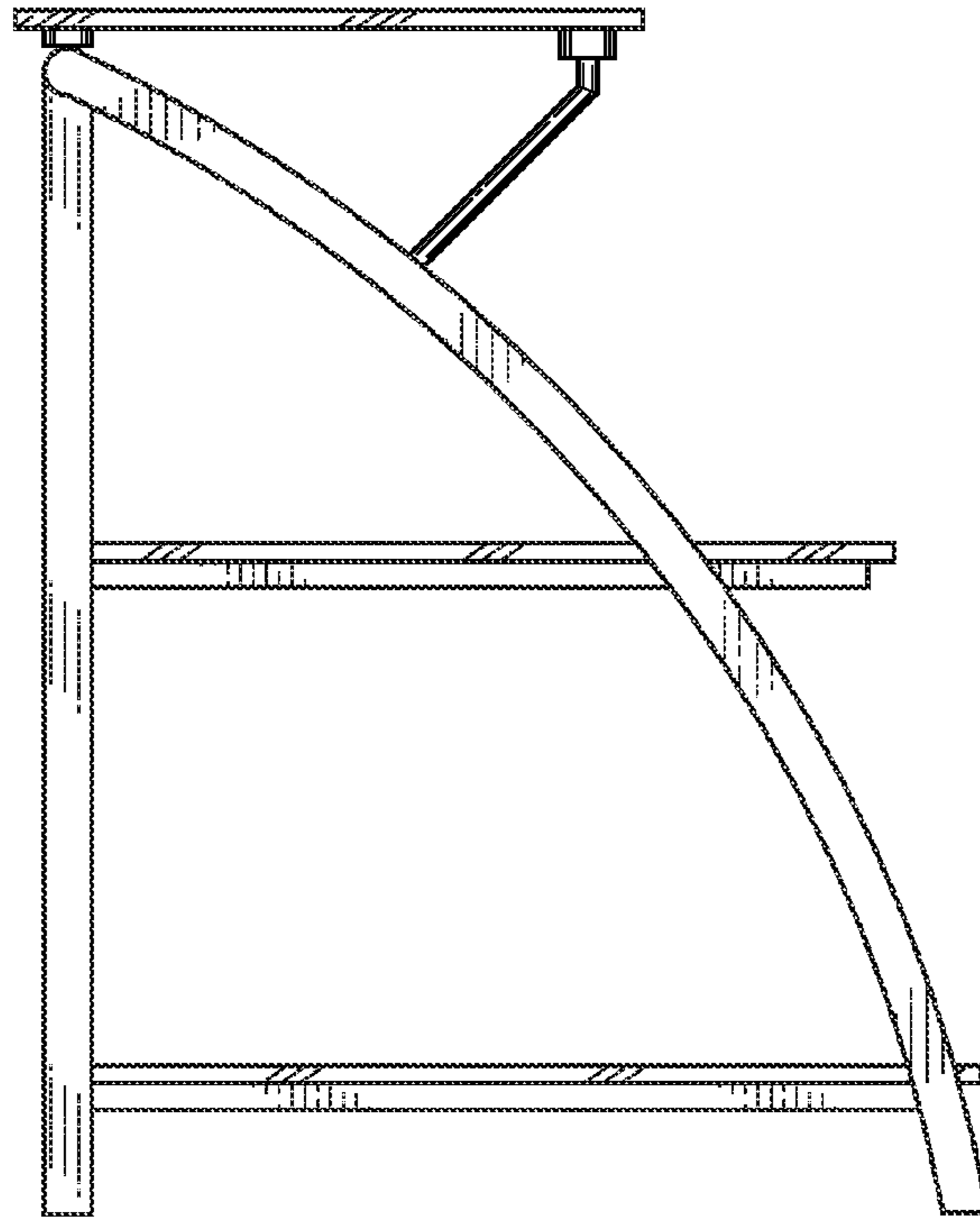


FIG. 9

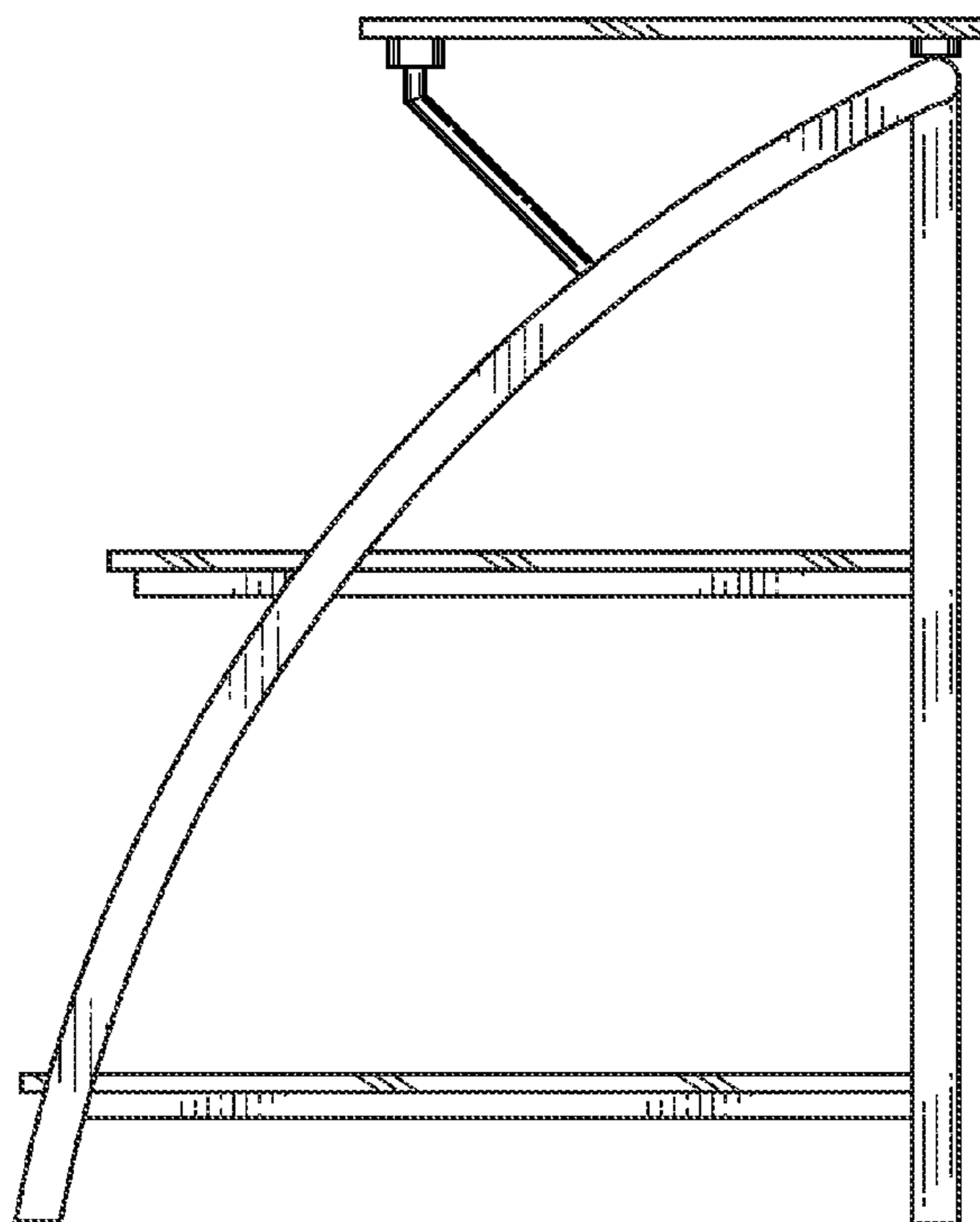


FIG. 10

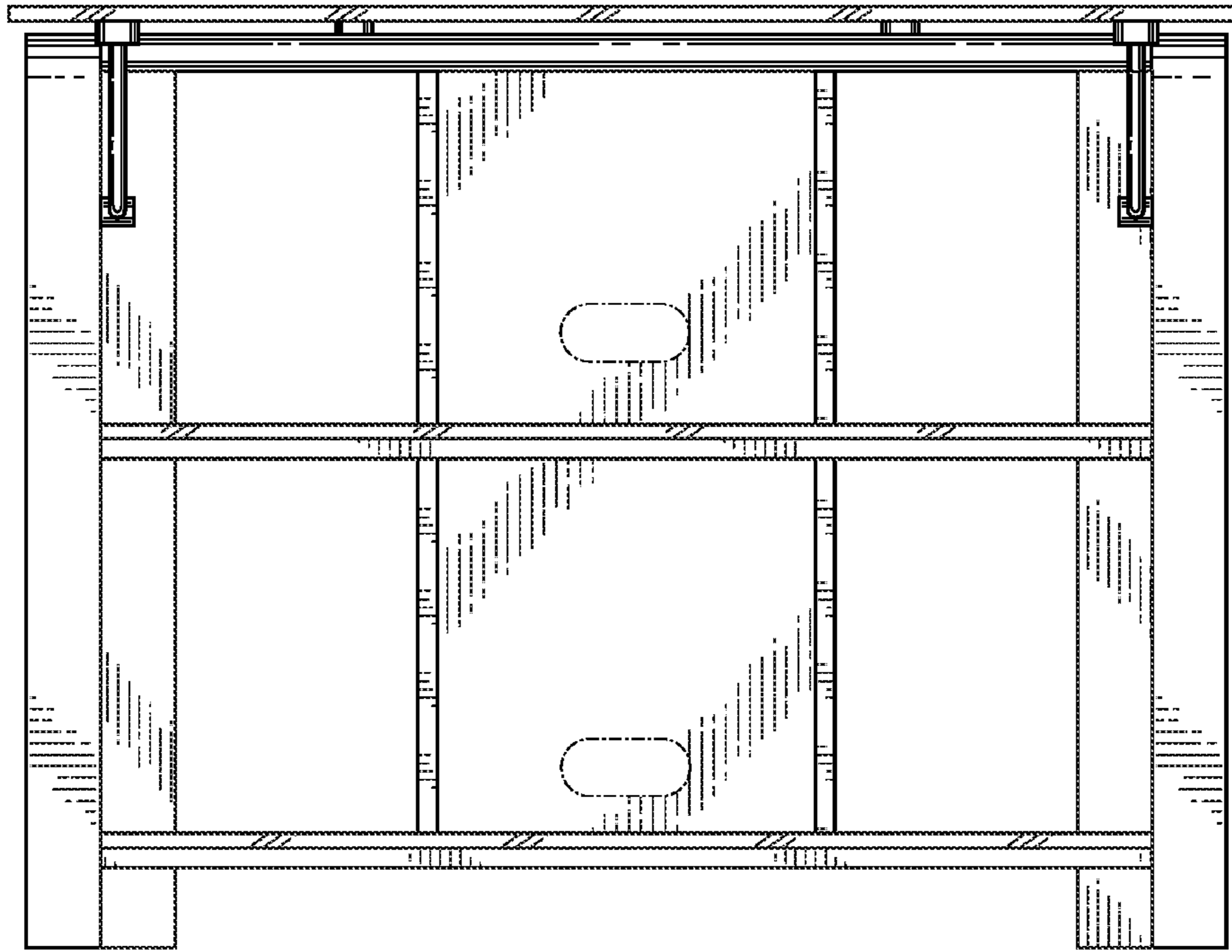


FIG. 11

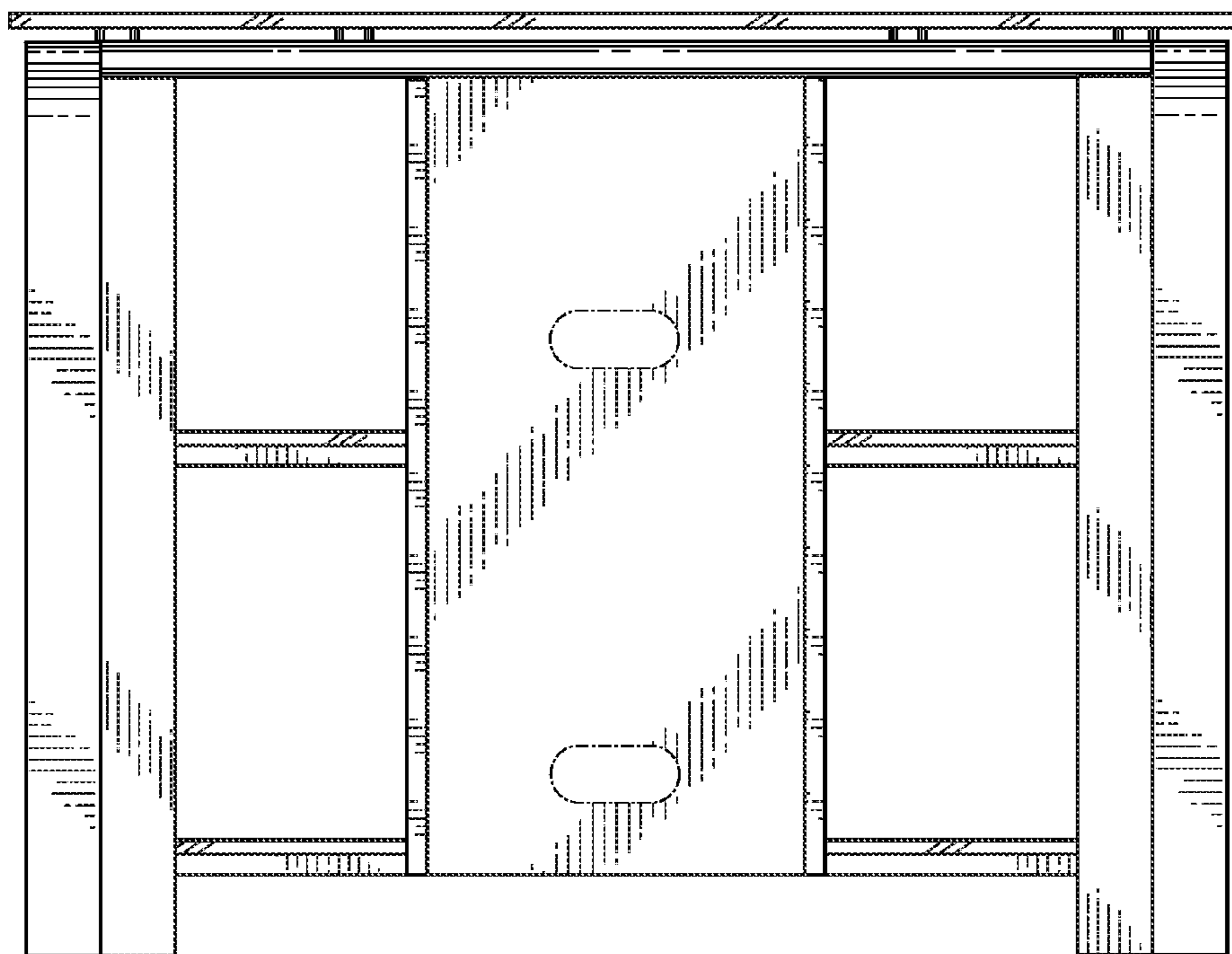


FIG. 12

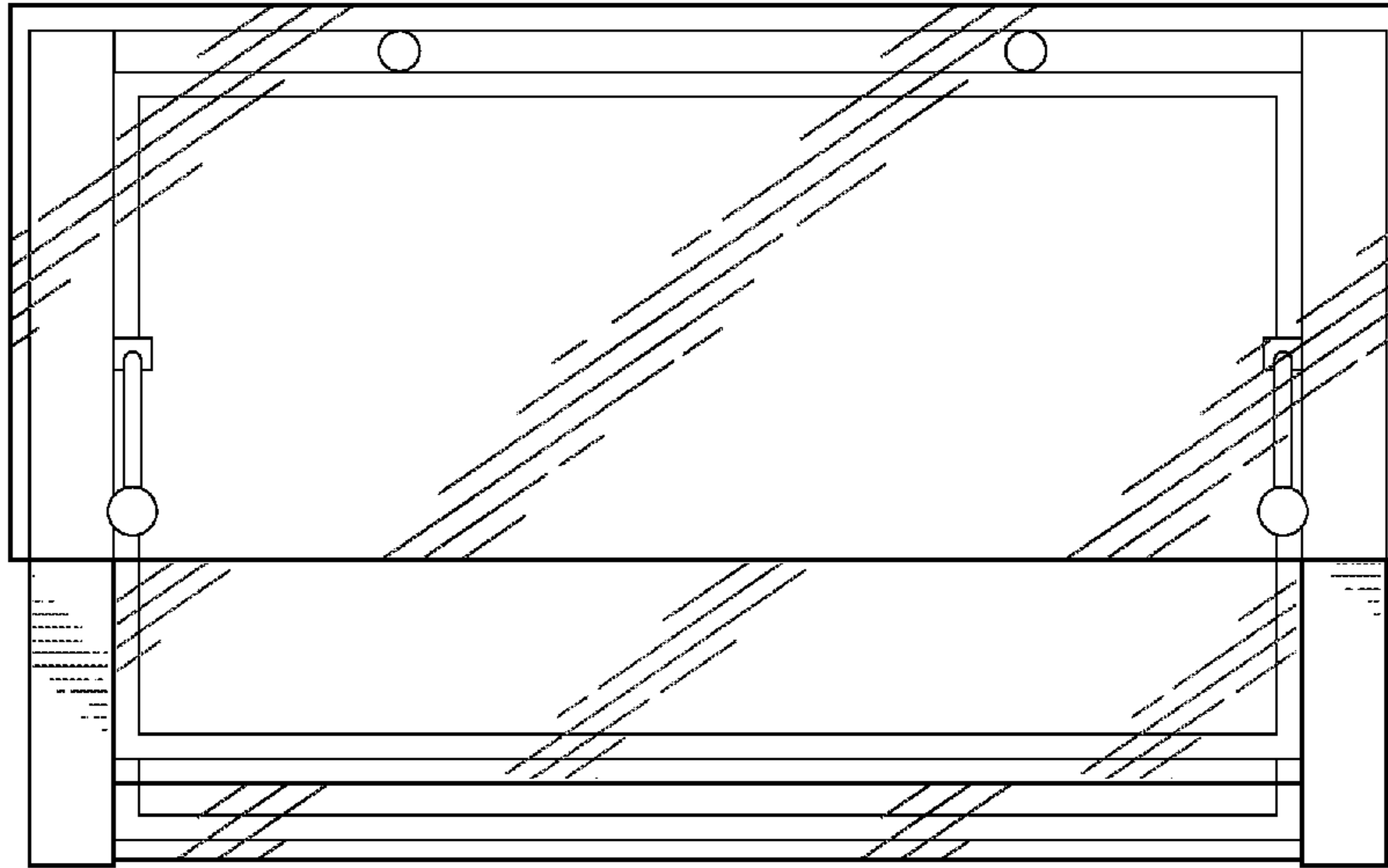


FIG. 13

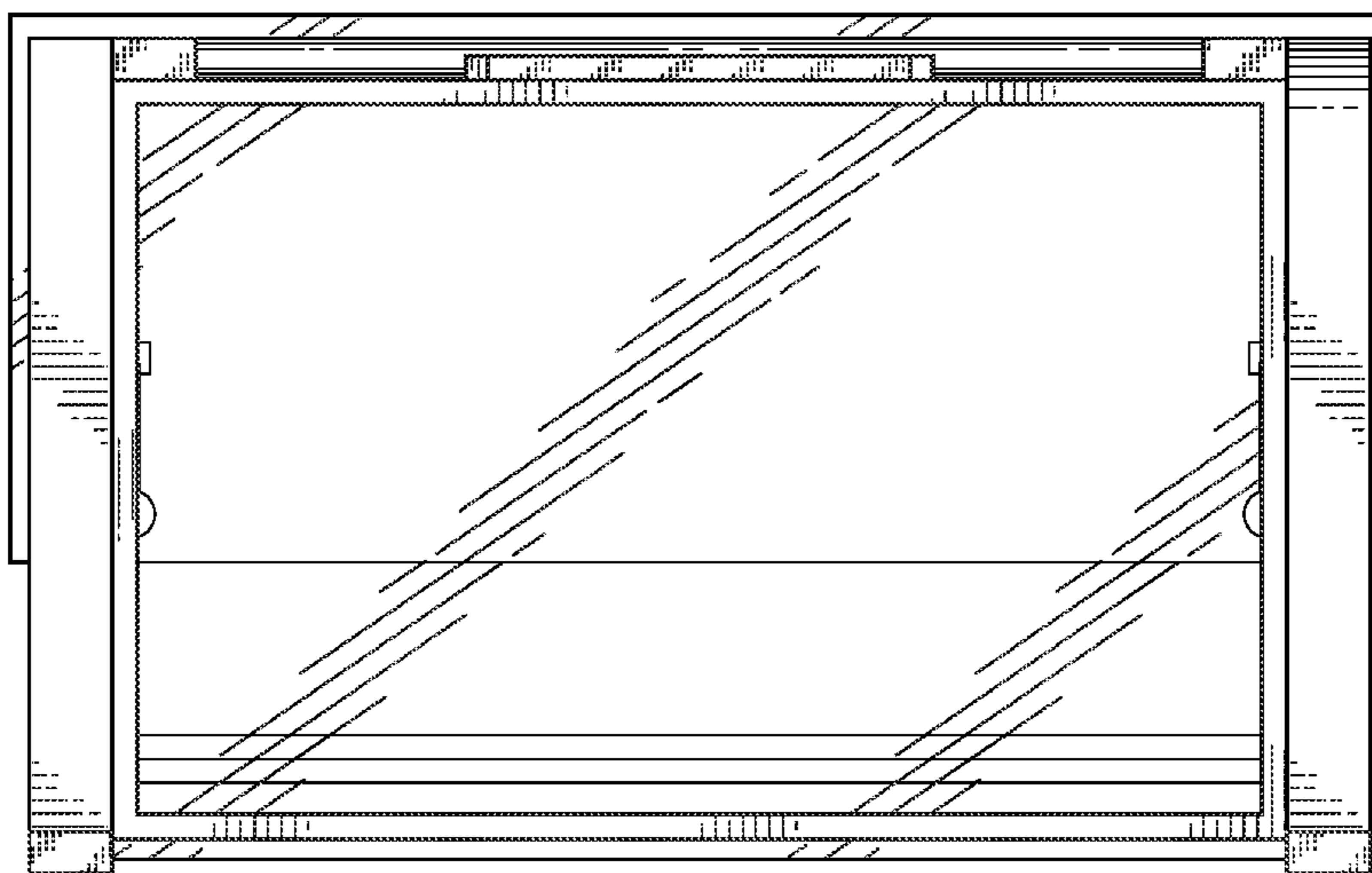


FIG. 14