



US00D572943S

(12) **United States Design Patent**  
**Antonioni**

(10) **Patent No.:** **US D572,943 S**

(45) **Date of Patent:** **\*\* Jul. 15, 2008**

(54) **SHELF**

D476,508 S \* 7/2003 Chang ..... D6/474  
D505,572 S \* 5/2005 Chang ..... D6/474

(75) Inventor: **Dario Cesar Antonioni**, Santa Monica,  
CA (US)

\* cited by examiner

(73) Assignee: **Elite Manufacturing Corp.**, Santa Fe  
Springs, CA (US)

*Primary Examiner*—Elizabeth A. Albert  
*Assistant Examiner*—Kelley A. Donnelly  
(74) *Attorney, Agent, or Firm*—Marvin E. Jacobs, Esq.

(\*\*) Term: **14 Years**

(57) **CLAIM**

(21) Appl. No.: **29/277,532**

The ornamental design of a shelf, as shown and described.

(22) Filed: **Feb. 28, 2007**

**DESCRIPTION**

(51) **LOC (8) Cl.** ..... **06-04**

(52) **U.S. Cl.** ..... **D6/477**

(58) **Field of Classification Search** ..... D6/477-479,  
D6/460-461, 468, 474; 108/51, 91-92, 96;  
211/40, 41.12, 42, 49.1, 50, 85.2, 188  
See application file for complete search history.

FIG. 1 is a perspective view of a shelf showing my new design. The broken lines showing a mirror image shelf are included for the purpose of illustrating environment and form no part of the claimed design.

FIG. 2 is a top plan view of the shelf.

FIG. 3 is a bottom plan view of the shelf.

FIG. 4 is a front elevational view of the shelf.

FIG. 5 is a right side elevational view of the shelf; and,

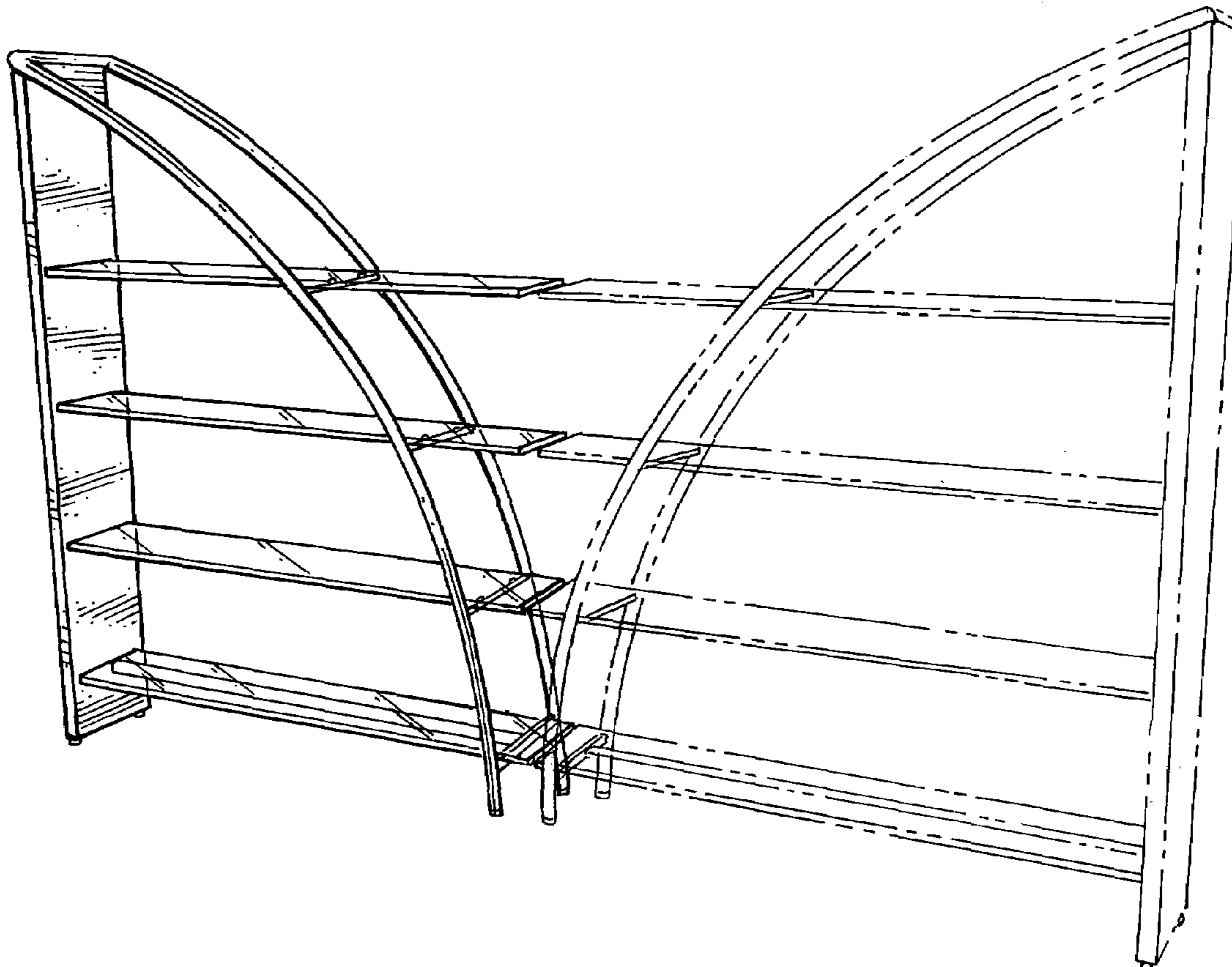
FIG. 6 is a left side elevational view of the shelf.

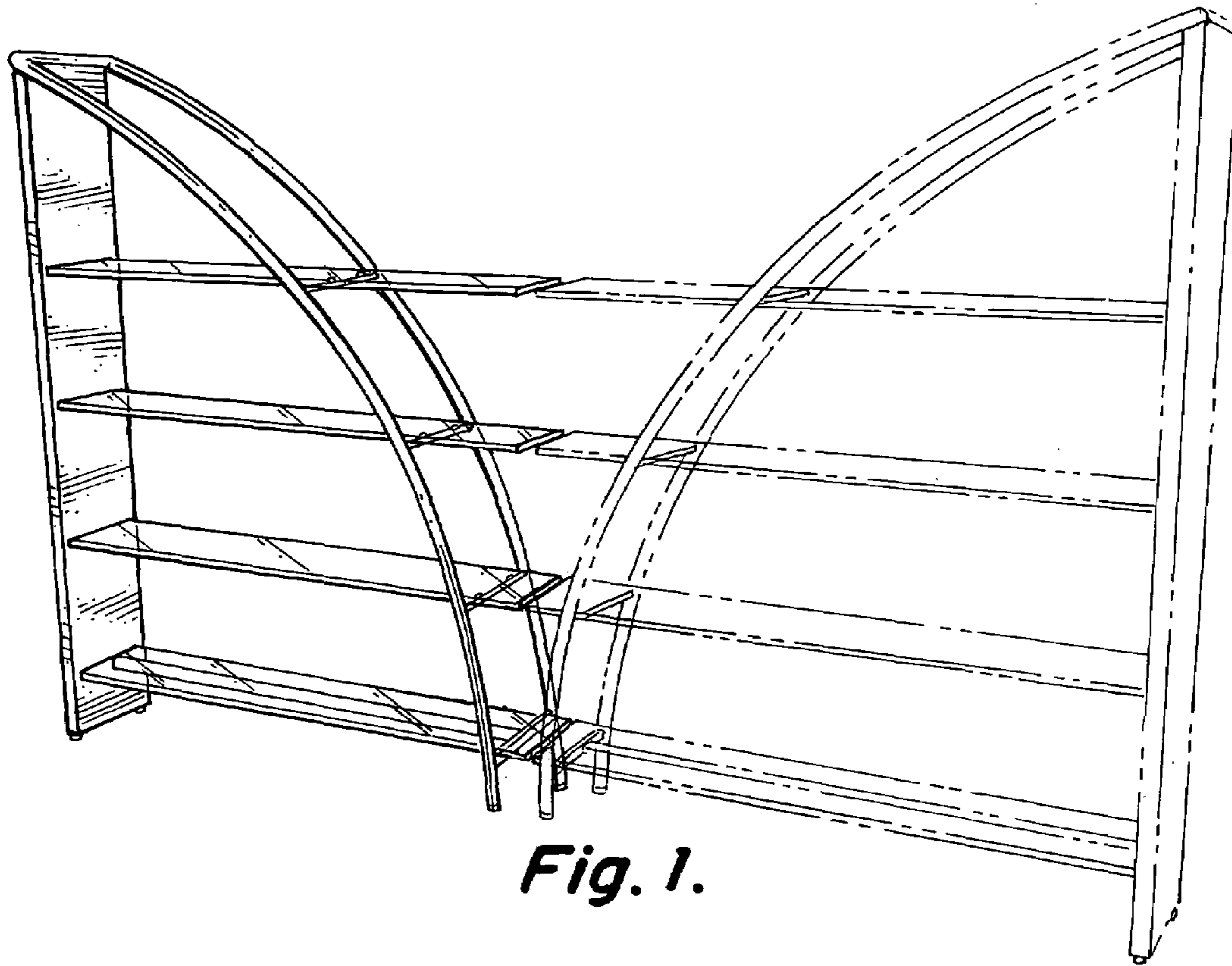
(56) **References Cited**

**U.S. PATENT DOCUMENTS**

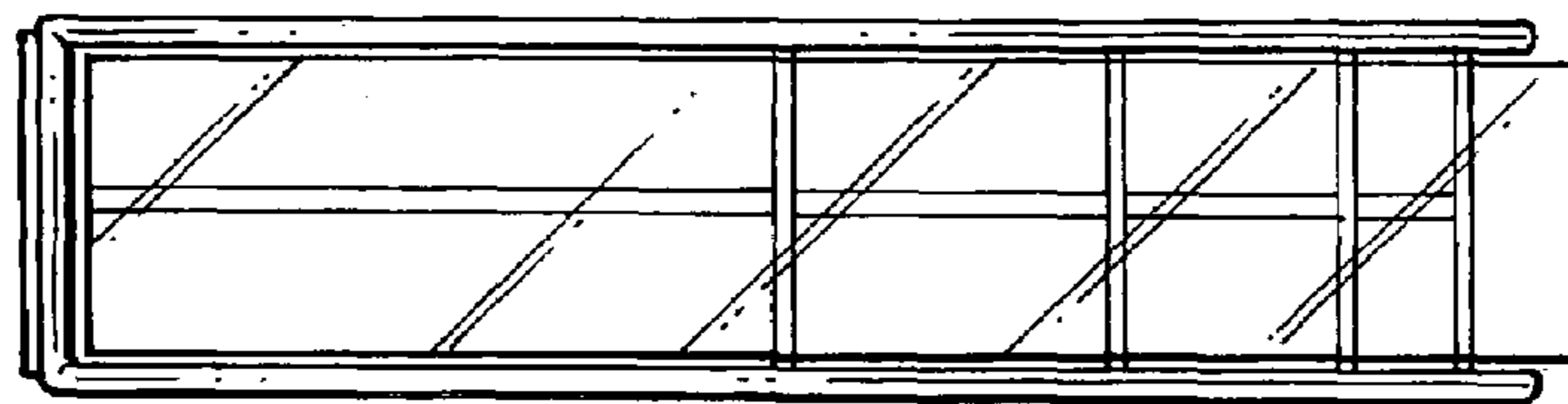
D433,846 S \* 11/2000 Chang ..... D6/474  
D451,307 S \* 12/2001 Dong ..... D6/474

**1 Claim, 2 Drawing Sheets**

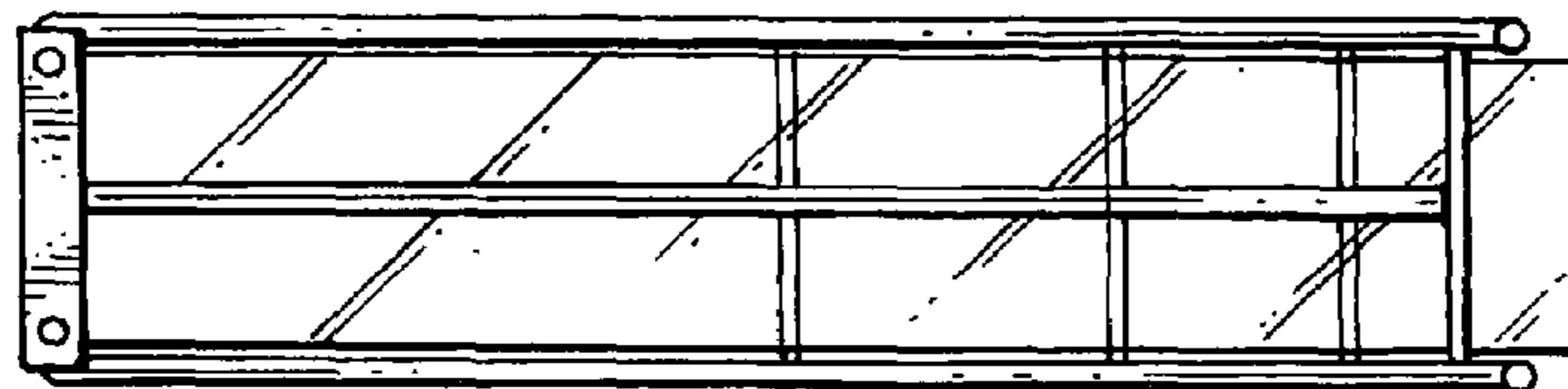




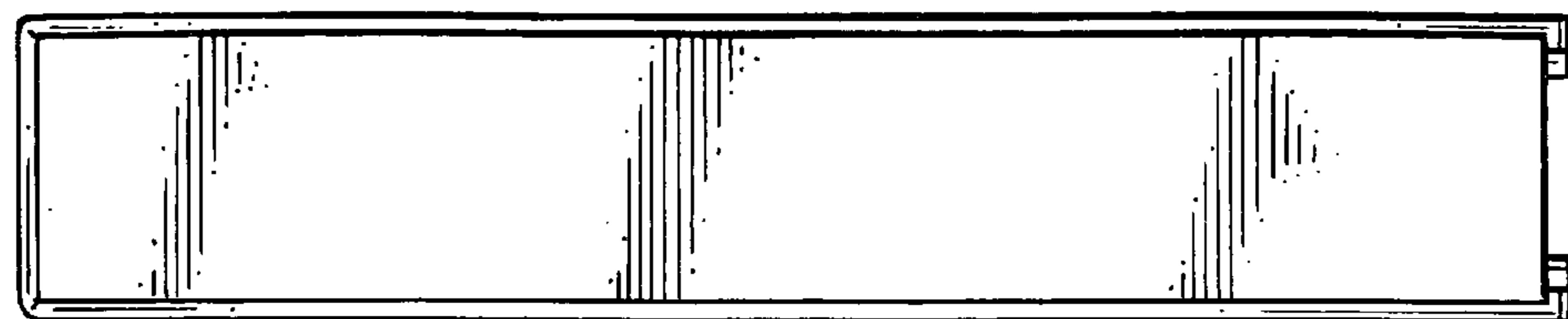
**Fig. 1.**



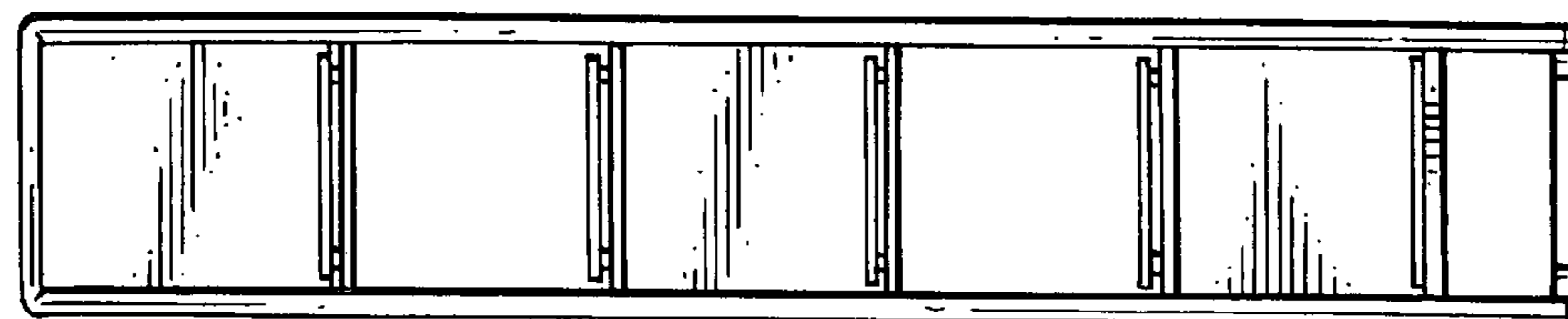
**Fig. 2.**



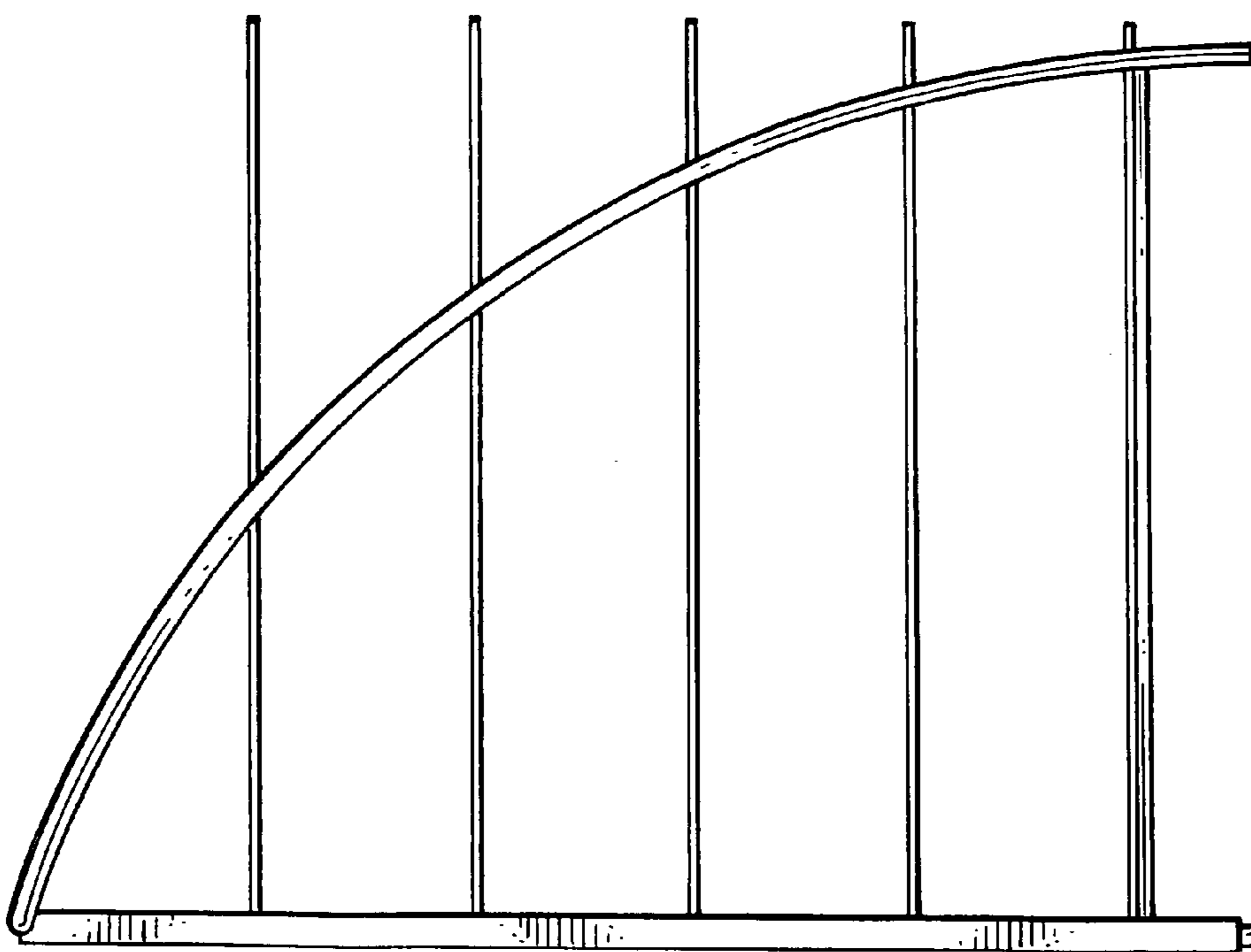
**Fig. 3.**



*Fig. 6.*



*Fig. 5.*



*Fig. 4.*