

US00D572942S

(12) **United States Design Patent**
Robbins et al.

(10) **Patent No.:** **US D572,942 S**
(45) **Date of Patent:** **** Jul. 15, 2008**

(54) **DISPLAY RACK**

(75) Inventors: **Holly A. Robbins**, Minneapolis, MN
(US); **Kirstin Stahl**, Minnetonka, MN
(US); **April E. Jackson**, Golden Valley,
MN (US)

(73) Assignee: **Target Brands, Inc.**, Minneapolis, MN
(US)

(**) Term: **14 Years**

(21) Appl. No.: **29/282,529**

(22) Filed: **Jul. 23, 2007**

(51) **LOC (8) Cl.** **06-04**

(52) **U.S. Cl.** **D6/468**

(58) **Field of Classification Search** D6/449,
D6/463, 464, 466-468, 474, 479; D19/65,
D19/78, 86, 90, 91, 99, 100; 211/13.1, 41.1,
211/42, 49.1, 50, 126.3, 133.1, 134; 108/147.11;
206/425; 248/441.1

See application file for complete search history.

(56) **References Cited**

U.S. PATENT DOCUMENTS

D235,595 S *	7/1975	Dogllotti	D6/468
D259,456 S *	6/1981	Zeischegg et al.	D6/475
D299,389 S *	1/1989	Klodt	D6/475
D330,474 S *	10/1992	Liptak	D6/475
D340,156 S *	10/1993	Bonazza et al.	D6/476
D400,926 S *	11/1998	Stravitz	D19/90
D446,967 S *	8/2001	Stravitz	D6/449

D498,263 S *	11/2004	Goodman et al.	D19/90
D499,278 S *	12/2004	Dardashti	D6/464
D536,552 S *	2/2007	Dickerson et al.	D6/468
D537,276 S *	2/2007	Kelman	D6/468

* cited by examiner

Primary Examiner—Caron D. Veynar

Assistant Examiner—Abraham Bahta

(74) *Attorney, Agent, or Firm*—Ingrassia Fisher & Lorenz,
P.C.

(57) **CLAIM**

The ornamental design for a display rack, as shown and described.

DESCRIPTION

FIG. 1 is a perspective view of a display rack showing our new design;

FIG. 2 is a front view thereof;

FIG. 3 is a rear view thereof;

FIG. 4 is a left side view thereof, the right side view being a mirror image of the left side view;

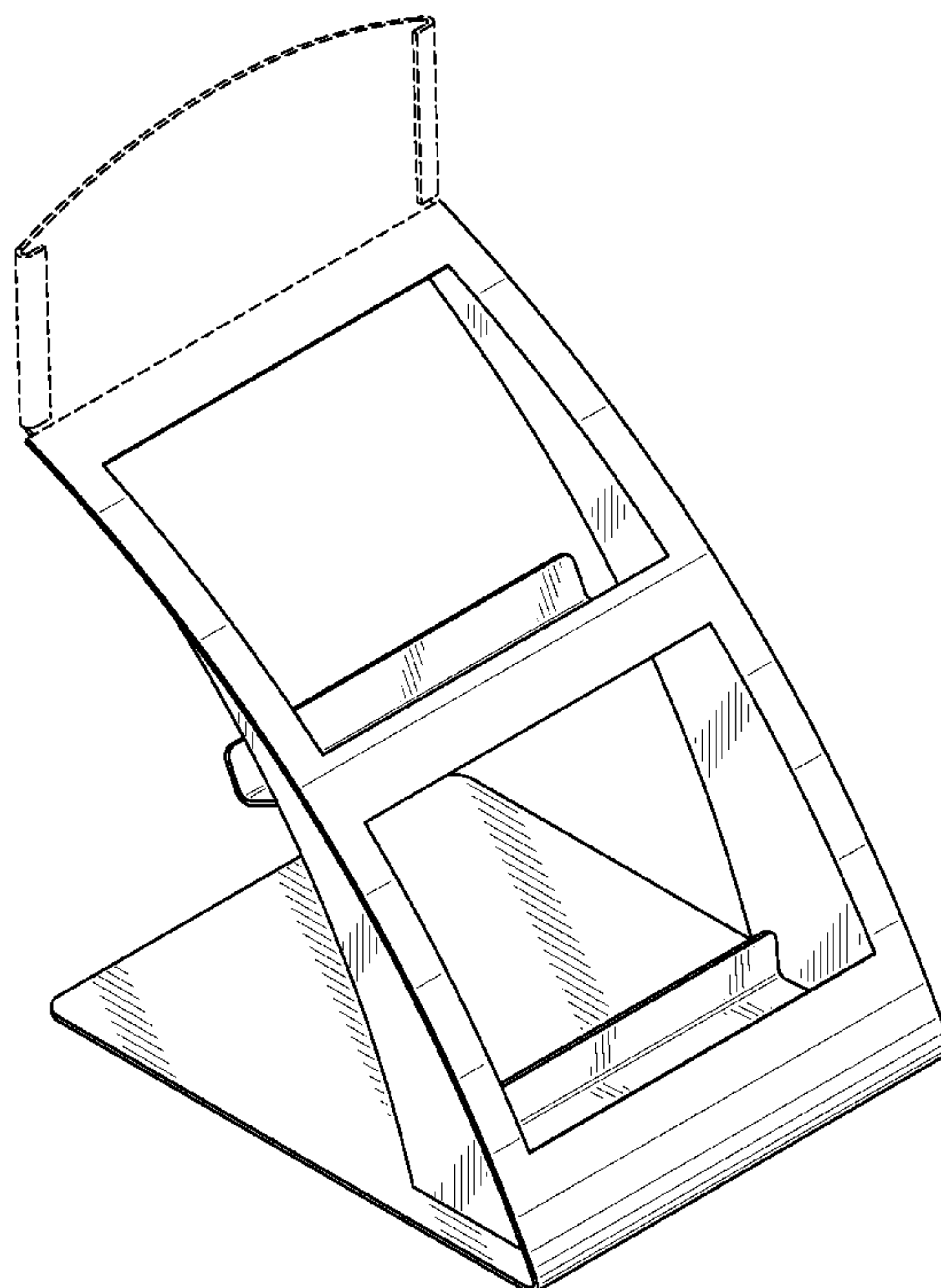
FIG. 5 is a top view thereof;

FIG. 6 is a bottom view thereof; and,

FIG. 7 is a perspective view thereof holding display items during use.

The broken lines shown in the drawings are for illustrative purposes only and form no part of the claimed design.

1 Claim, 7 Drawing Sheets



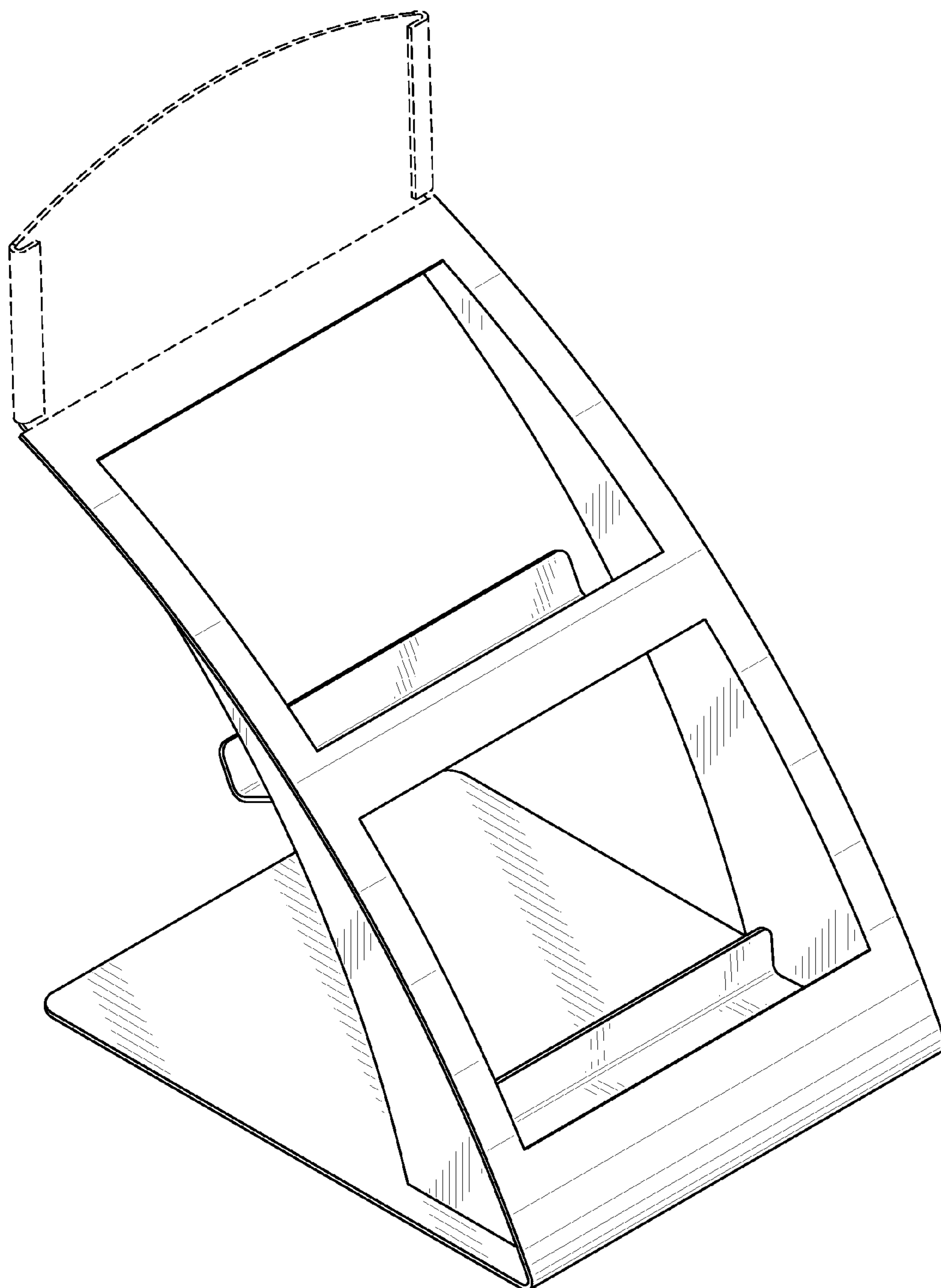


FIG. 1

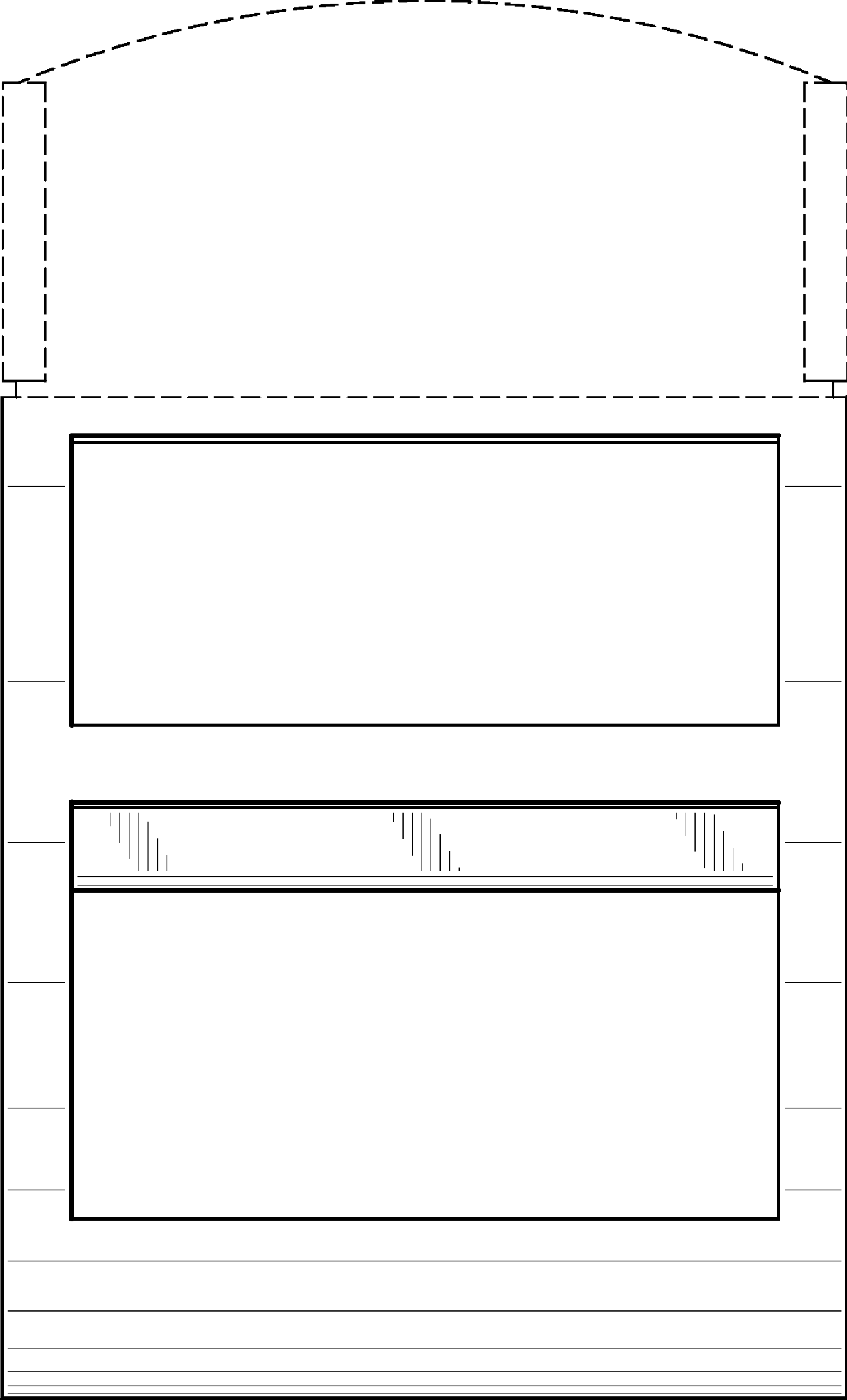


FIG. 2

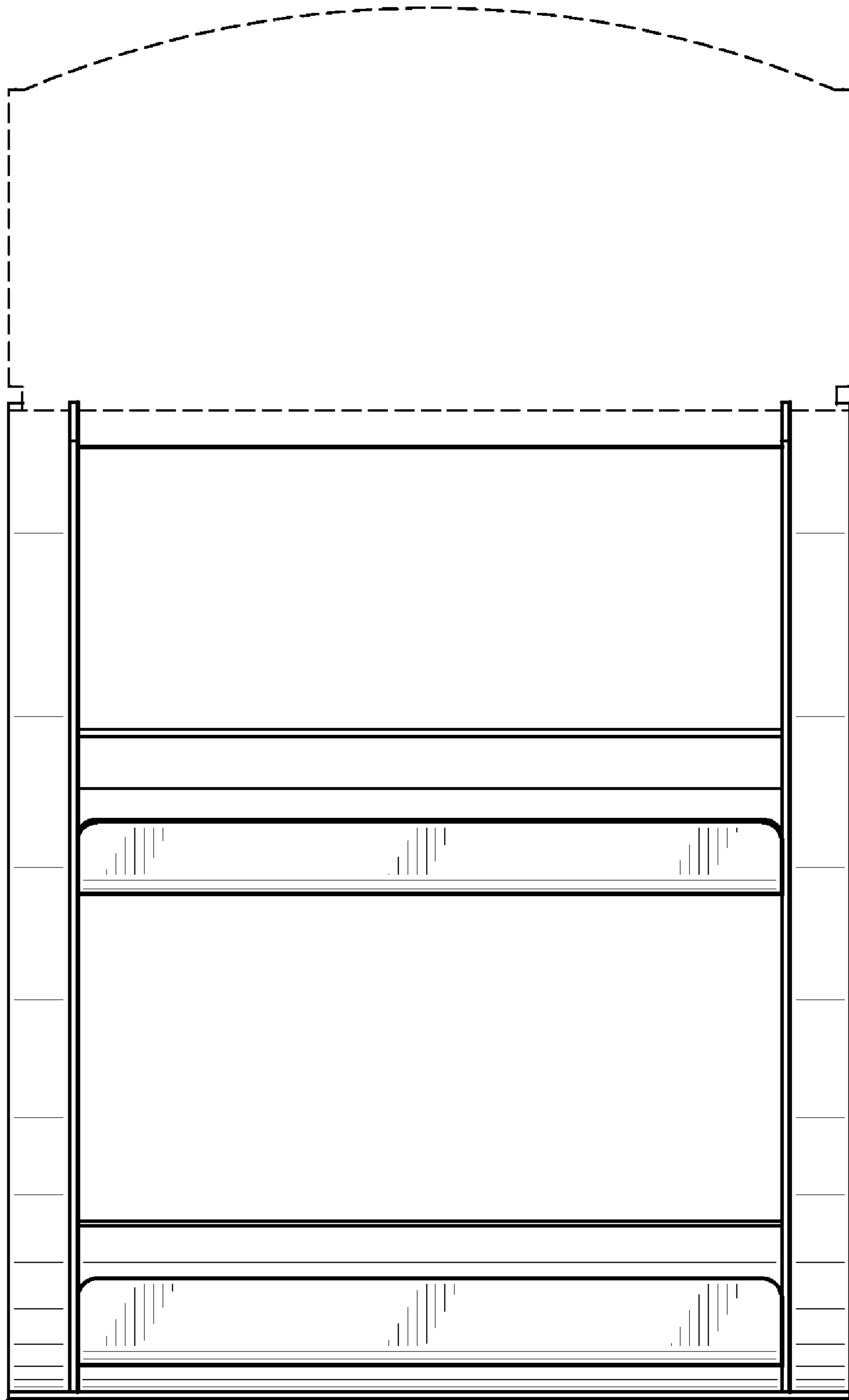


FIG. 3

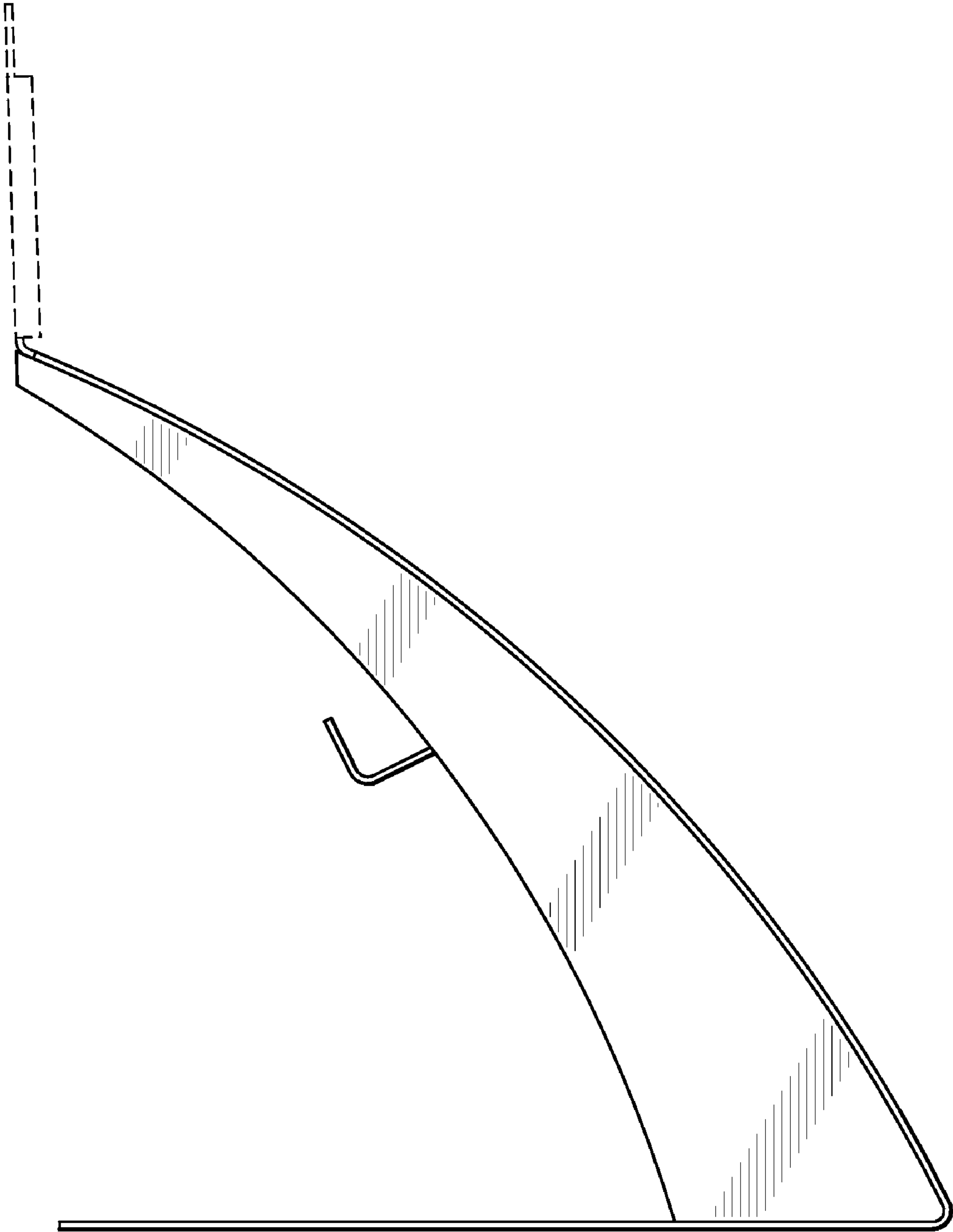


FIG. 4

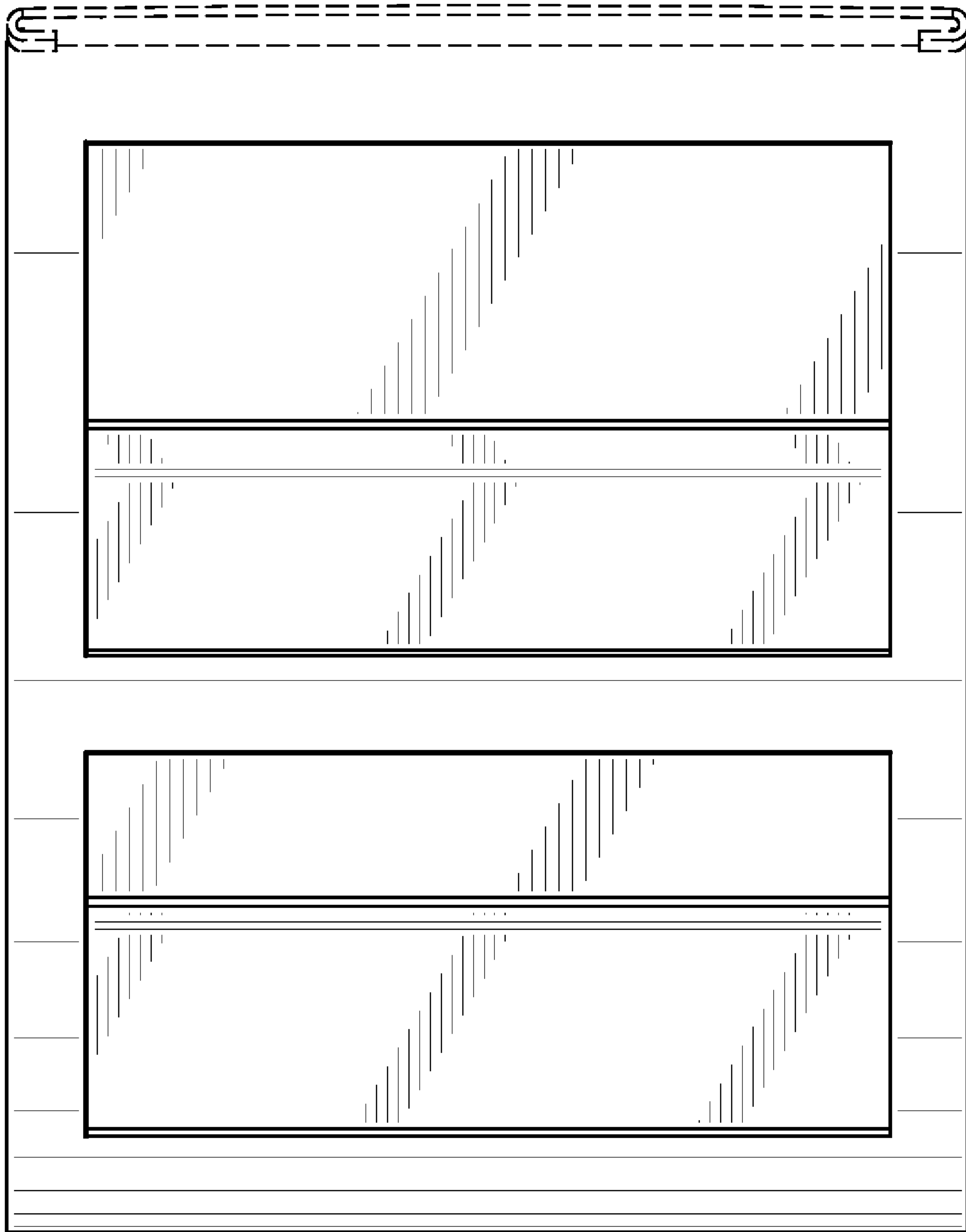


FIG. 5

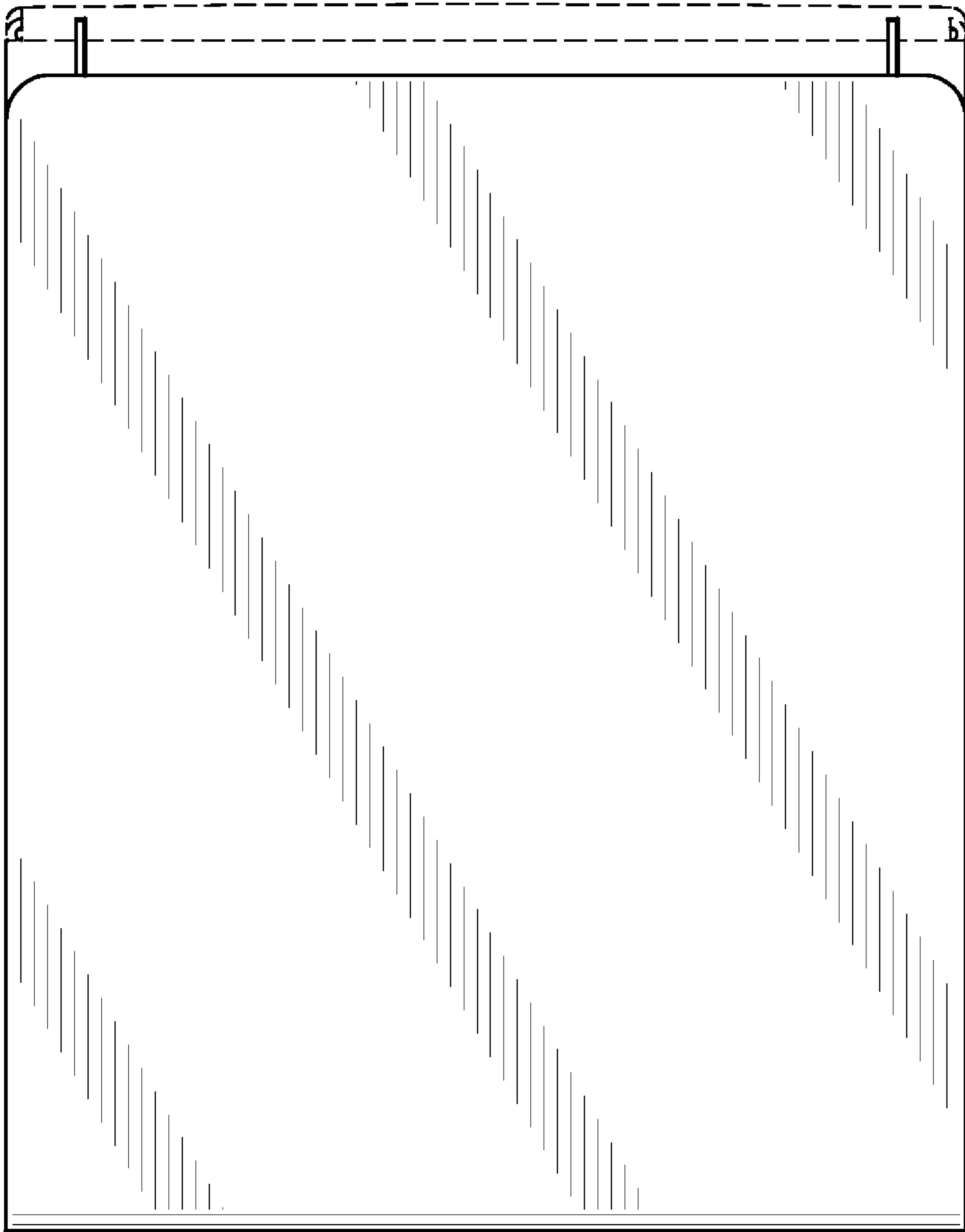


FIG. 6

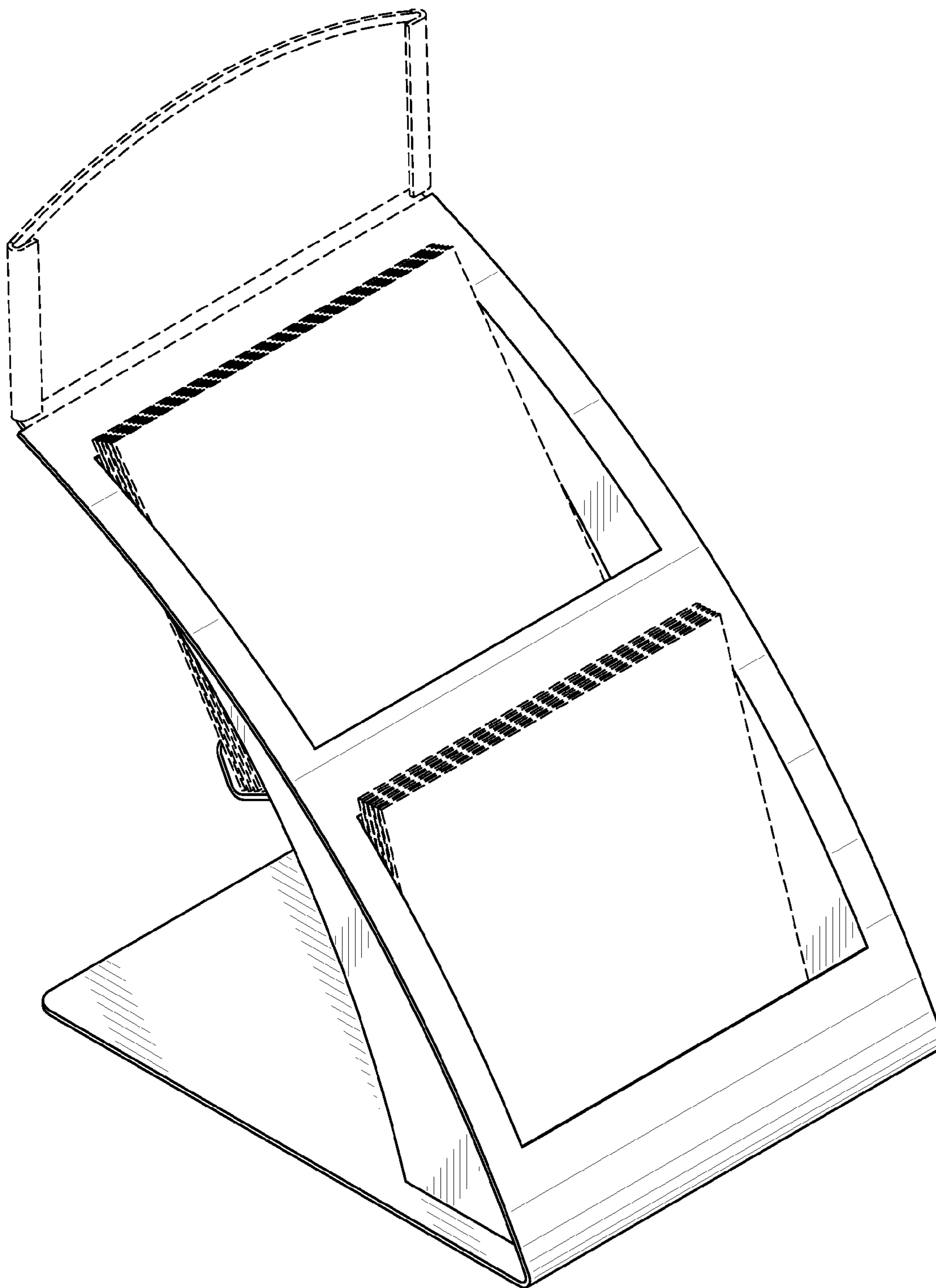


FIG. 7