



US00D572940S

(12) **United States Design Patent**  
**Murray**

(10) **Patent No.:** **US D572,940 S**  
(45) **Date of Patent:** **\*\* Jul. 15, 2008**

(54) **CORNER SHELF**

(75) Inventor: **James Patrick Murray**, Northport, NY  
(US)

(73) Assignee: **Bed Bath & Beyond Procurement Co.**  
**Inc.**, Farmingdale, NY (US)

(\*\*) Term: **14 Years**

(21) Appl. No.: **29/273,143**

(22) Filed: **Feb. 27, 2007**

(51) **LOC (8) Cl.** ..... **06-04**

(52) **U.S. Cl.** ..... **D6/462**

(58) **Field of Classification Search** ..... D6/396-397,  
D6/462, 464-465, 477-479, 474, 537, 562,  
D6/566, 567, 574; D3/304-306; 211/13.1,  
211/85.3, 86.01, 87.01, 90.01, 90.03, 134,  
211/153, 181.1, 188; 248/153, 235, 243;  
108/91-93, 107, 144.11, 149

See application file for complete search history.

(56) **References Cited**

**U.S. PATENT DOCUMENTS**

2,222,831	A	*	11/1940	Bitney	.....	248/91
2,913,128	A	*	11/1959	Milner	.....	108/181
D292,764	S	*	11/1987	Kester	.....	D6/465
D316,193	S	*	4/1991	Kee	.....	D6/413
D316,494	S	*	4/1991	Kee	.....	D6/465
D327,795	S	*	7/1992	Kee	.....	D6/465
D331,675	S	*	12/1992	David	.....	D6/462
D429,400	S	*	8/2000	Walters-Dowding et al.	. .	D34/21
D449,479	S	*	10/2001	Snell	.....	D6/566

D467,448	S	*	12/2002	Dowding et al.	.....	D6/462
D514,362	S	*	2/2006	Hoernig	.....	D6/574
D547,094	S	*	7/2007	Klein et al.	.....	D6/462
D555,943	S	*	11/2007	Butler et al.	.....	D6/491

\* cited by examiner

*Primary Examiner*—Caron D. Veynar

*Assistant Examiner*—Abraham Bahta

(74) *Attorney, Agent, or Firm*—Lerner, David, Littenberg,  
Krumholz & Mentlik, LLP

(57) **CLAIM**

The ornamental design for a corner shelf, as shown and described.

**DESCRIPTION**

FIG. 1 is a perspective view of a corner shelf in accordance with the present invention;

FIG. 2 is a front elevational view of the corner shelf shown in FIG. 1;

FIG. 3 is a rear elevational view of the corner shelf shown in FIG. 1;

FIG. 4 is a right side elevational view of the corner shelf shown in FIG. 1;

FIG. 5 is a left side elevational view of the corner shelf shown in FIG. 1;

FIG. 6 is a top plan view of the corner shelf shown in FIG. 1; and,

FIG. 7 is a bottom plan view of the corner shelf shown in FIG. 1.

**1 Claim, 7 Drawing Sheets**

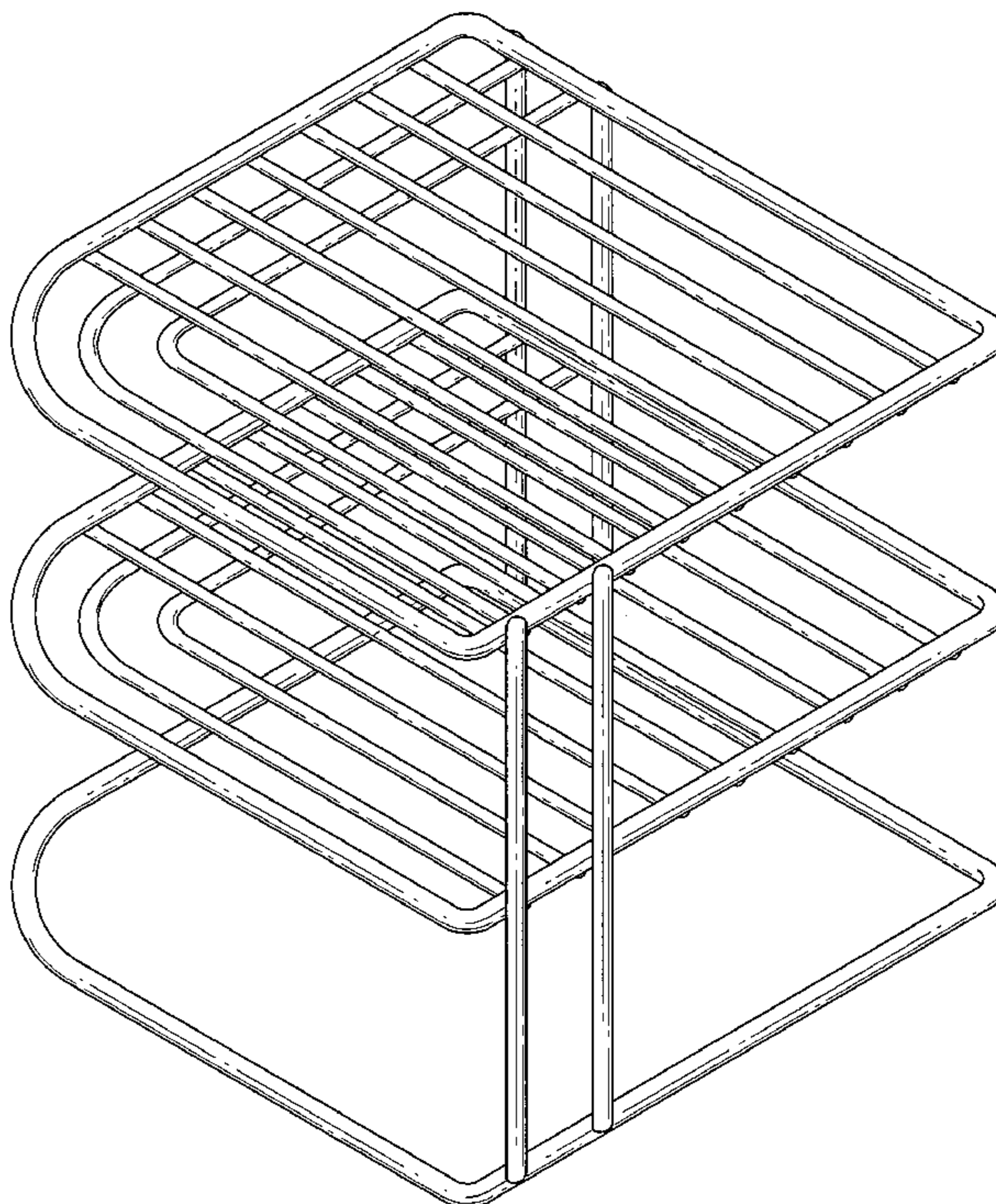
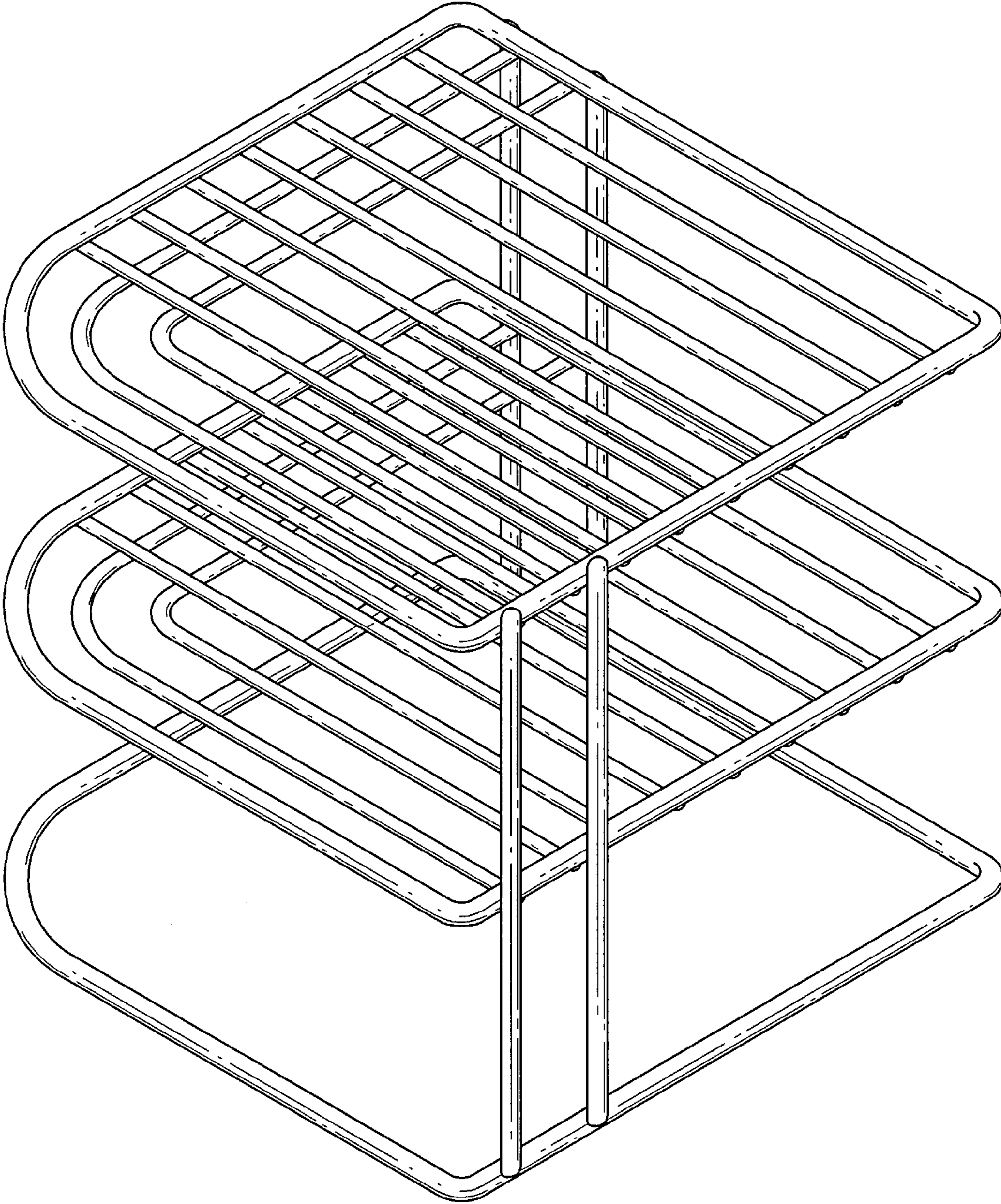
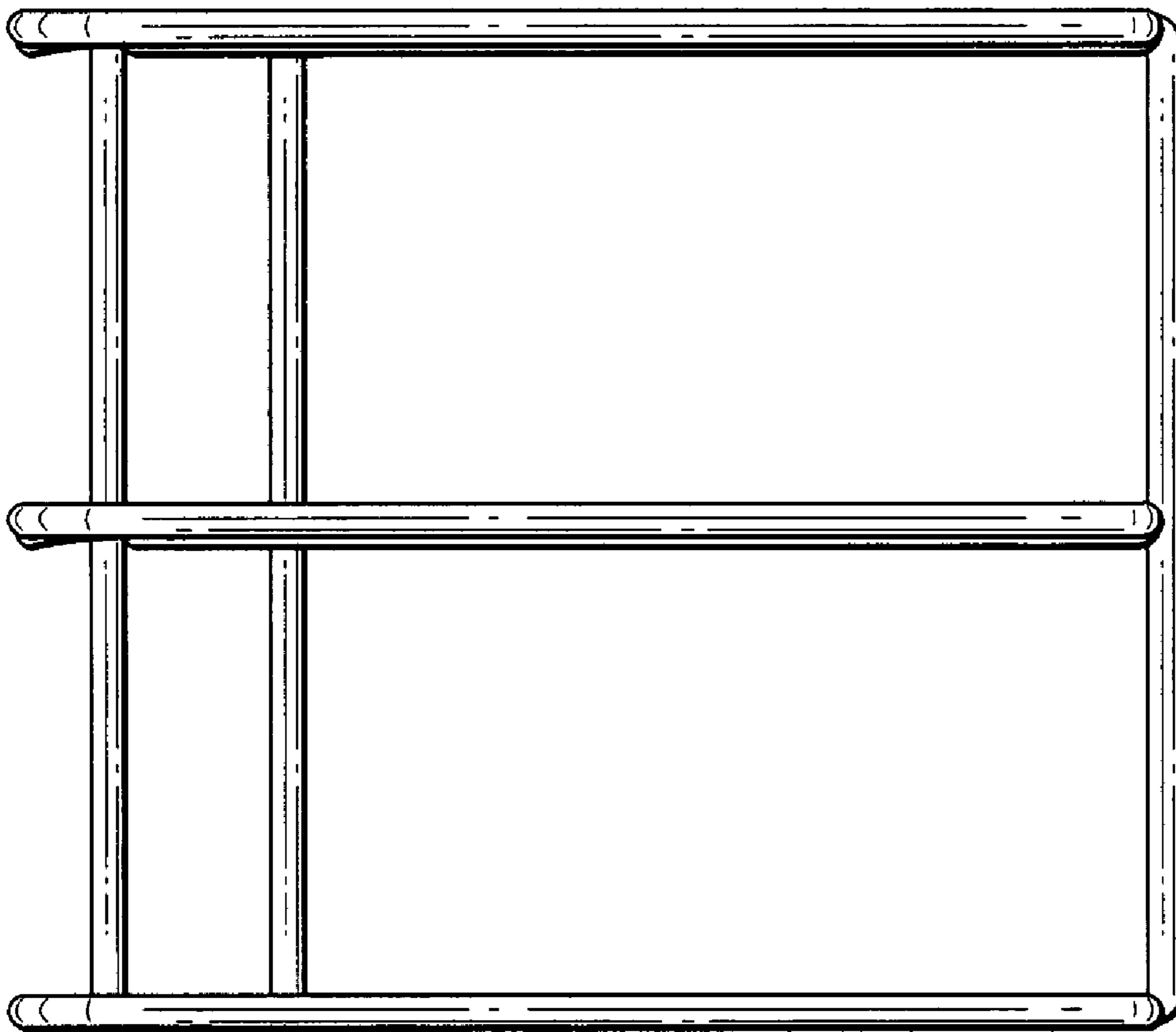


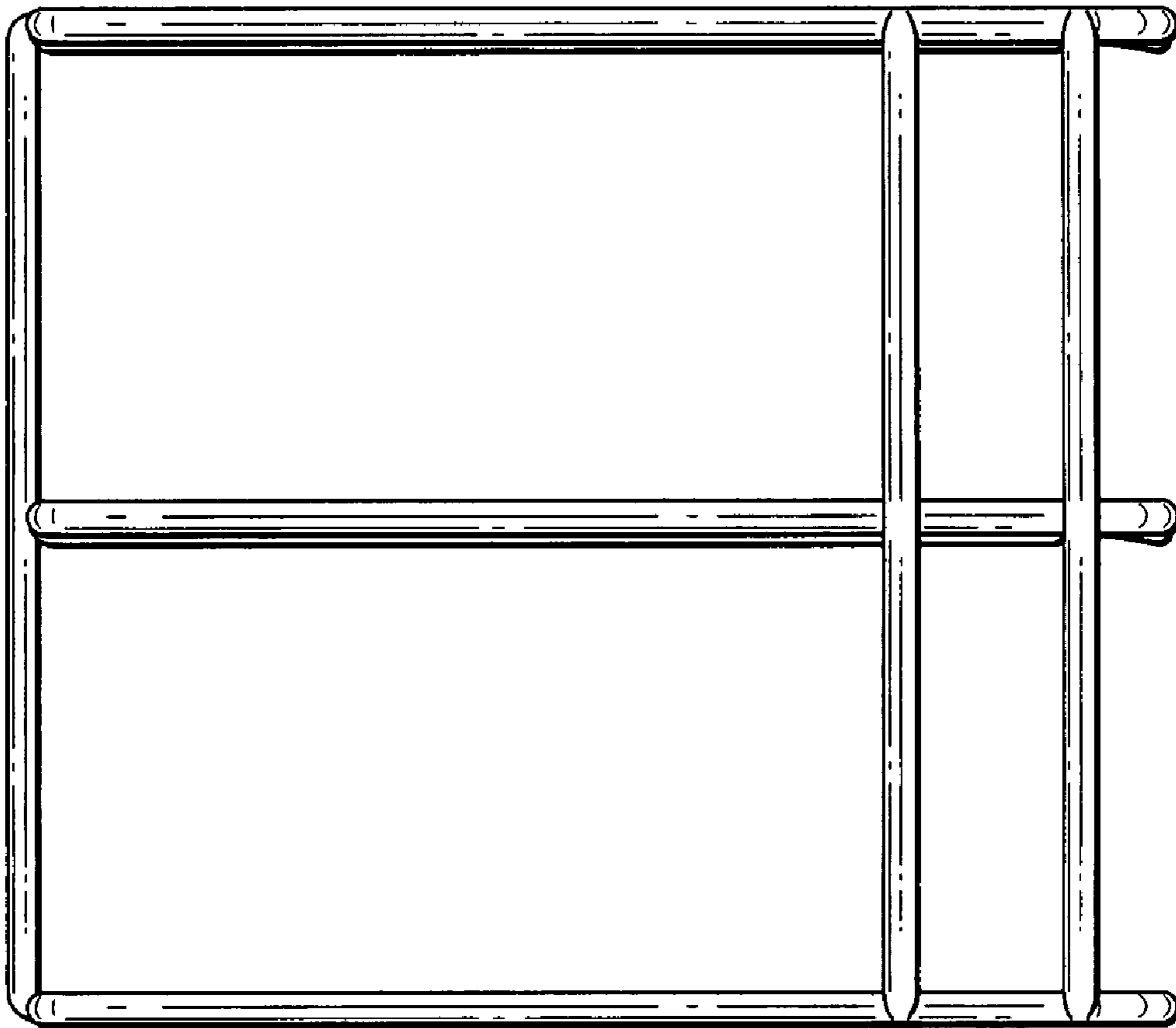
FIG. 1



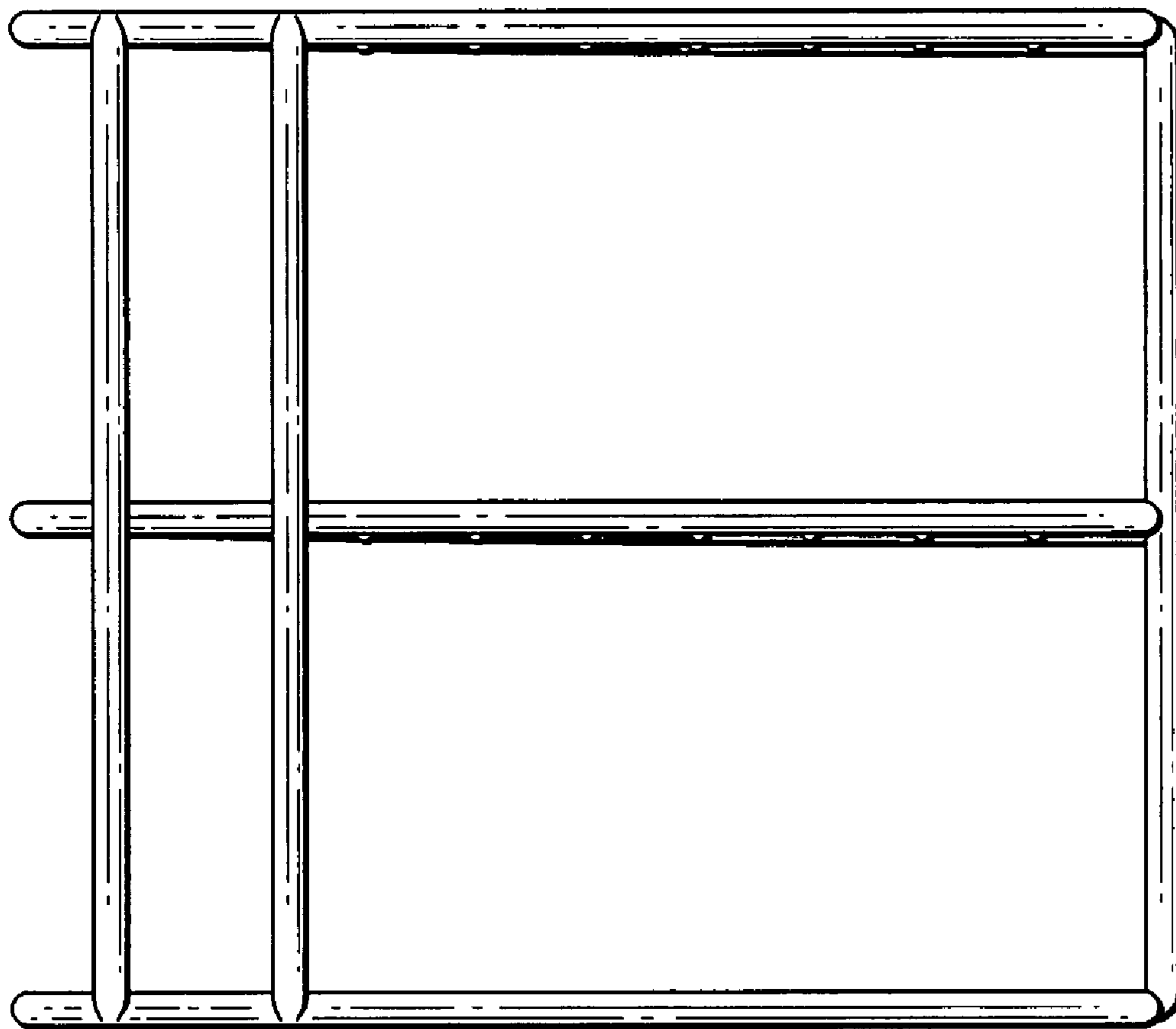
*FIG. 2*



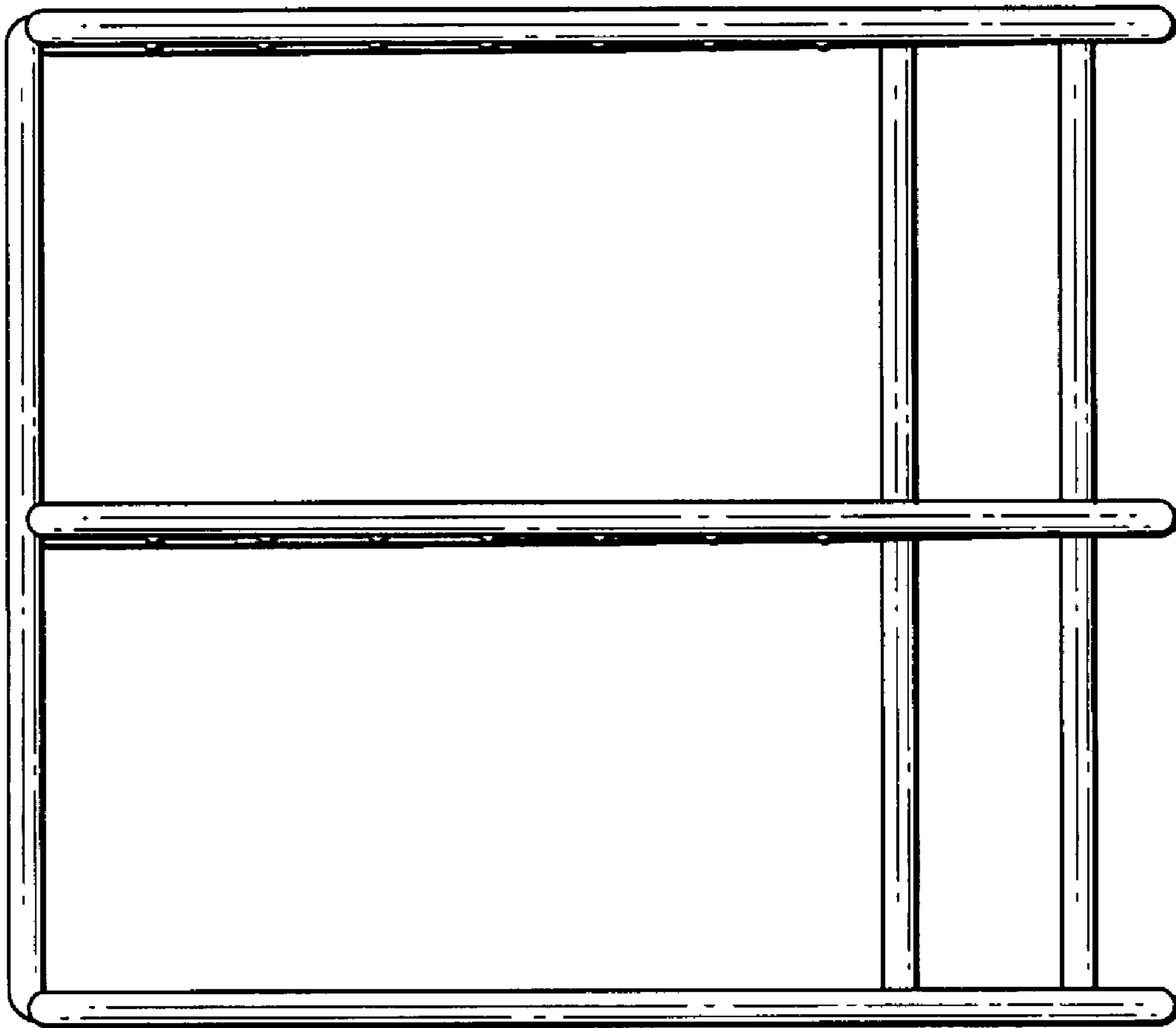
*FIG. 3*



*FIG. 4*



*FIG. 5*



*FIG. 6*

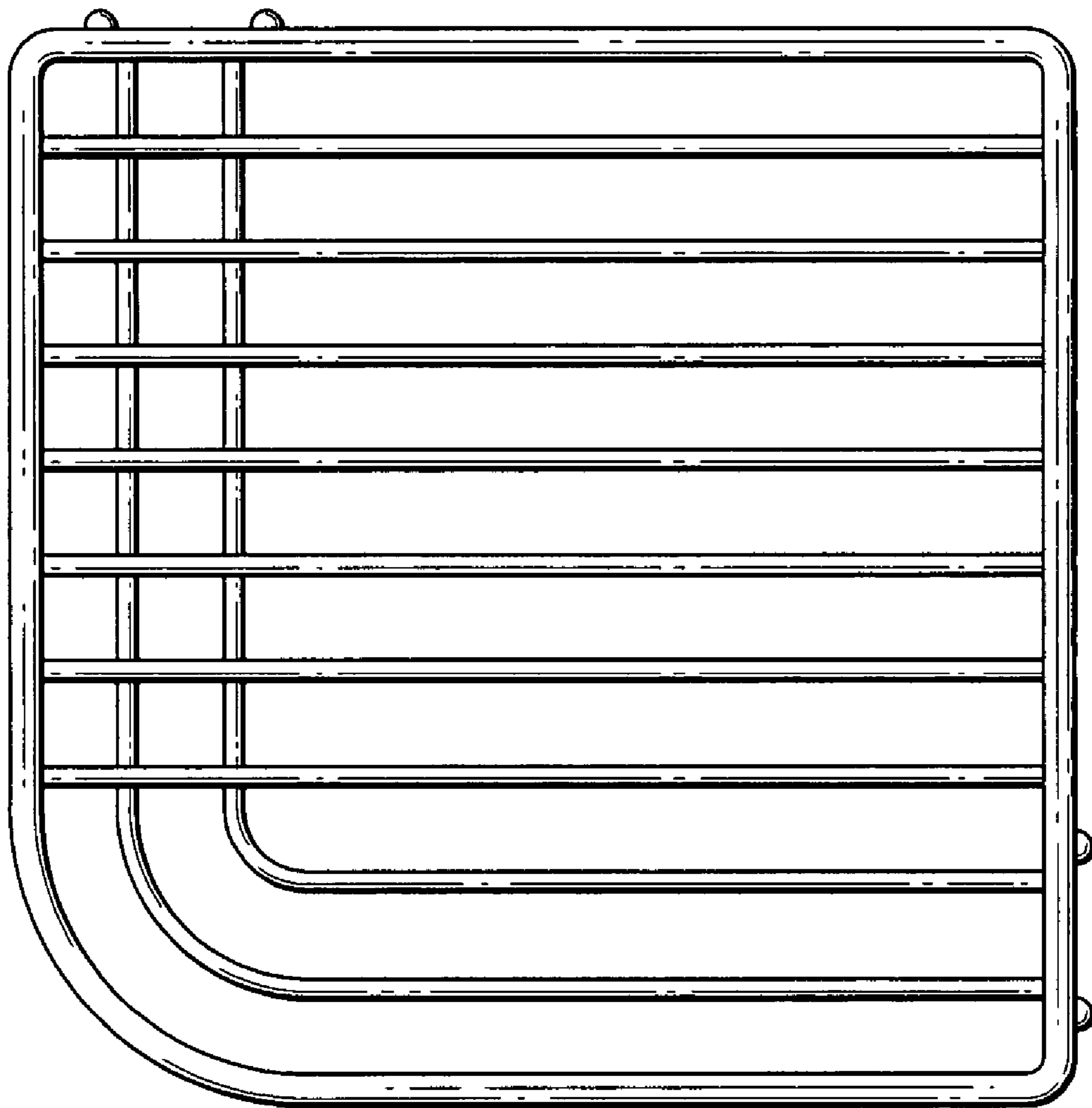


FIG. 7

