



US00D572939S

(12) **United States Design Patent**
Murray

(10) **Patent No.:** **US D572,939 S**
(45) **Date of Patent:** **** Jul. 15, 2008**

(54) **VERTICAL ORGANIZER**

(75) Inventor: **James Patrick Murray**, Northport, NY
(US)

(73) Assignee: **Bed Bath & Beyond Procurement Co. Inc.**, Farmingdale, NY (US)

(**) Term: **14 Years**

(21) Appl. No.: **29/273,136**

(22) Filed: **Feb. 27, 2007**

(51) **LOC (8) Cl.** **06-06**

(52) **U.S. Cl.** **D6/462**

(58) **Field of Classification Search** D6/396-397,
D6/462, 464, 465, 477-479, 474, 537, 562,
D6/566-567, 574; D3/304-306; 211/13.1,
211/85.3, 86.01, 87.01, 90.01, 90.03, 134,
211/153, 181.1, 188; 248/153, 235, 243;
108/91-93, 107, 144.11, 149
See application file for complete search history.

(56) **References Cited**

U.S. PATENT DOCUMENTS

2,222,831	A	*	11/1940	Bitney	248/91
D244,982	S	*	7/1977	Parra	D6/464
D307,220	S	*	4/1990	Kaufman, Jr.	D6/462
D323,256	S	*	1/1992	Kee	D6/465
D352,848	S	*	11/1994	Dardashti	D6/465
D380,638	S	*	7/1997	Cohen et al.	D6/566
D416,157	S	*	11/1999	Akins	D6/566

D435,189	S	*	12/2000	Mok	D6/630
D444,020	S	*	6/2001	Muth	D6/630
D449,479	S	*	10/2001	Snell	D6/566

* cited by examiner

Primary Examiner—Caron D. Veynar

Assistant Examiner—Abraham Bahta

(74) *Attorney, Agent, or Firm*—Lerner, David, Littenberg,
Krumholz & Mentlik, LLP

(57) **CLAIM**

The ornamental design for a vertical organizer, as shown and described.

DESCRIPTION

FIG. 1 is a perspective view of a vertical organizer in accordance with the present invention;

FIG. 2 is a top plan view of the vertical organizer shown in FIG. 1;

FIG. 3 is a bottom plan view of the vertical organizer shown in FIG. 1;

FIG. 4 is a right side elevational view of the vertical organizer shown in FIG. 1, with the left side elevational view being the mirror image thereof;

FIG. 5 is a front elevational view of the vertical organizer shown in FIG. 1; and,

FIG. 6 is a rear elevational view of the vertical organizer shown in FIG. 1.

1 Claim, 6 Drawing Sheets

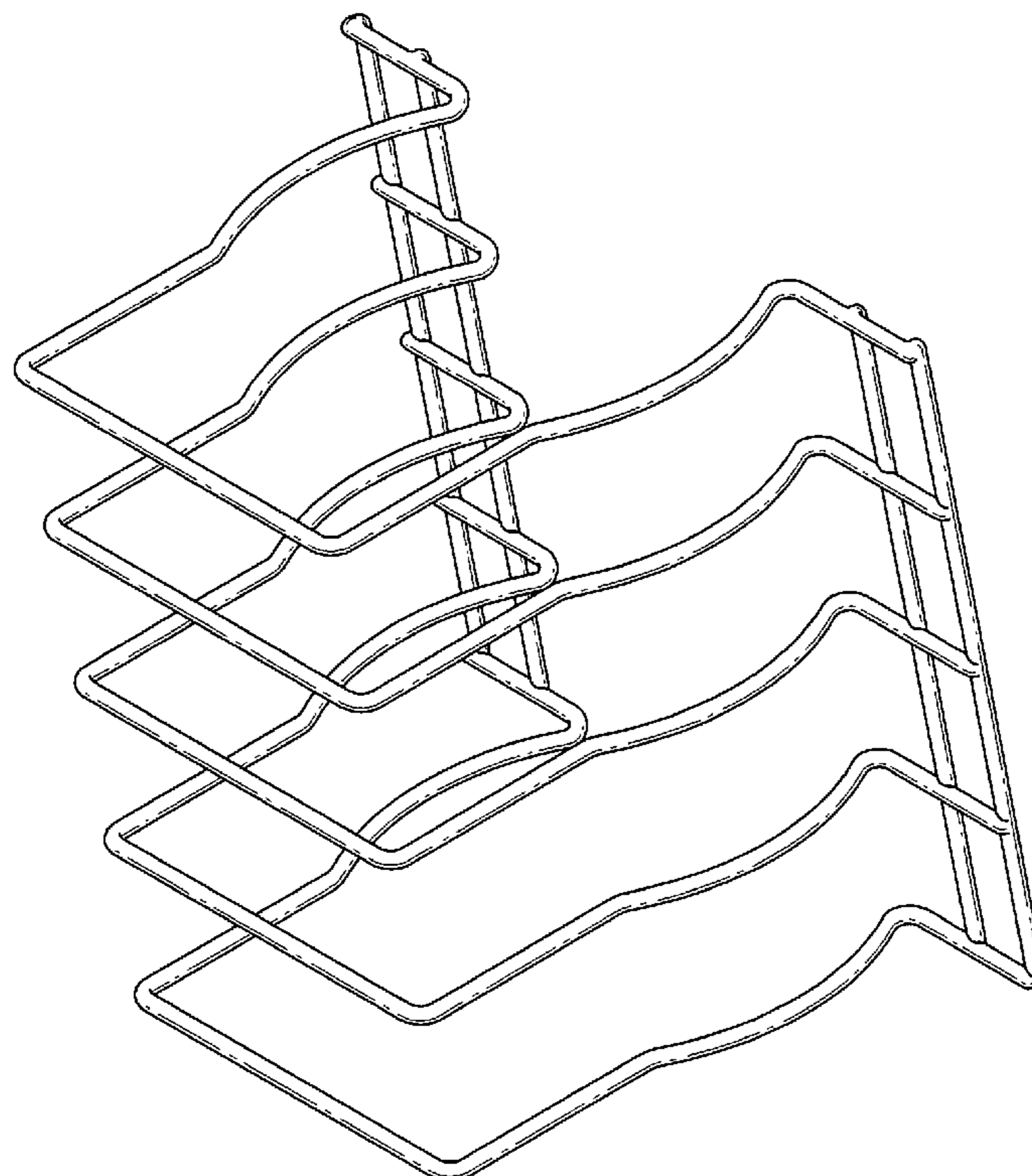


FIG. 1

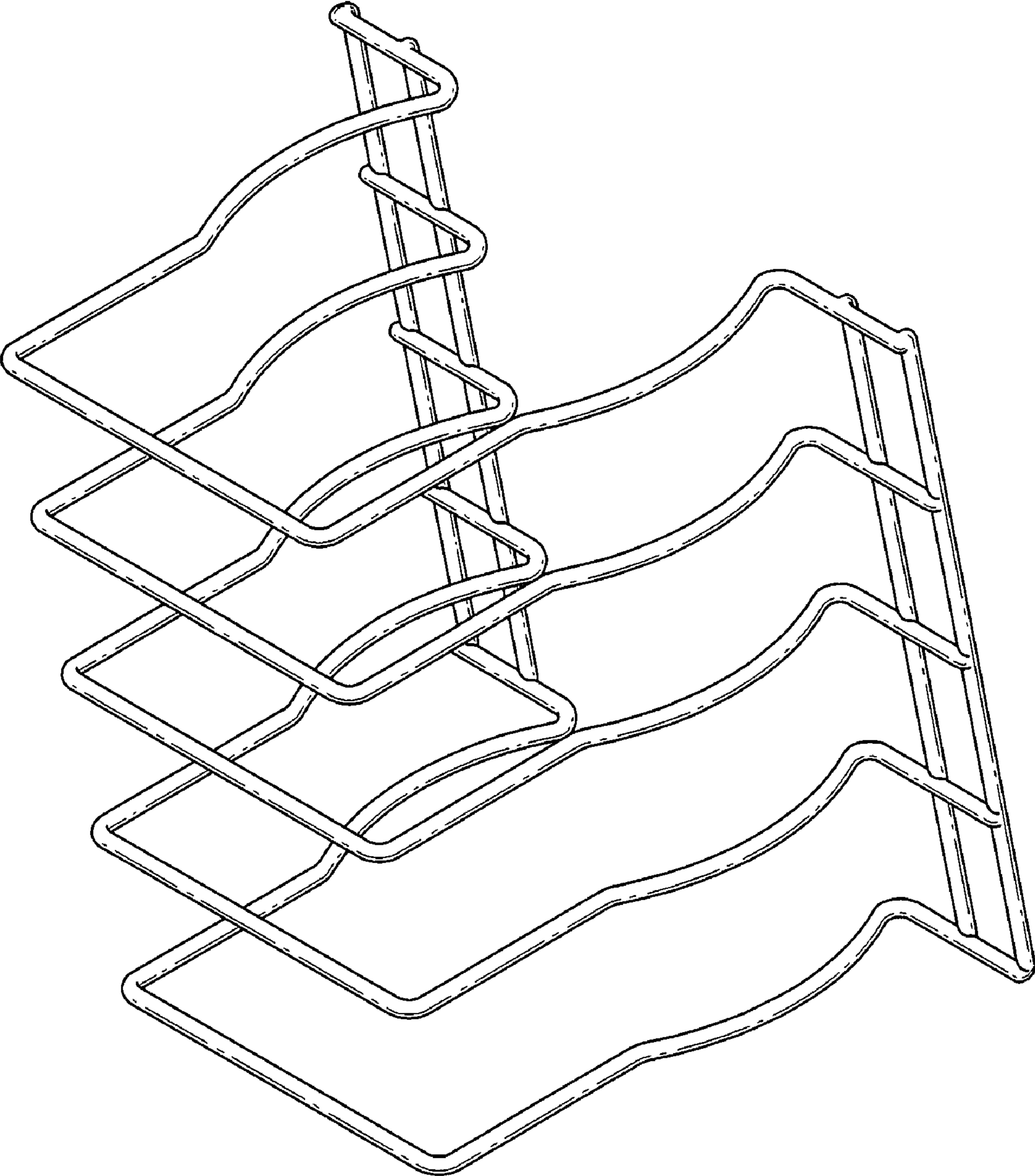


FIG. 2

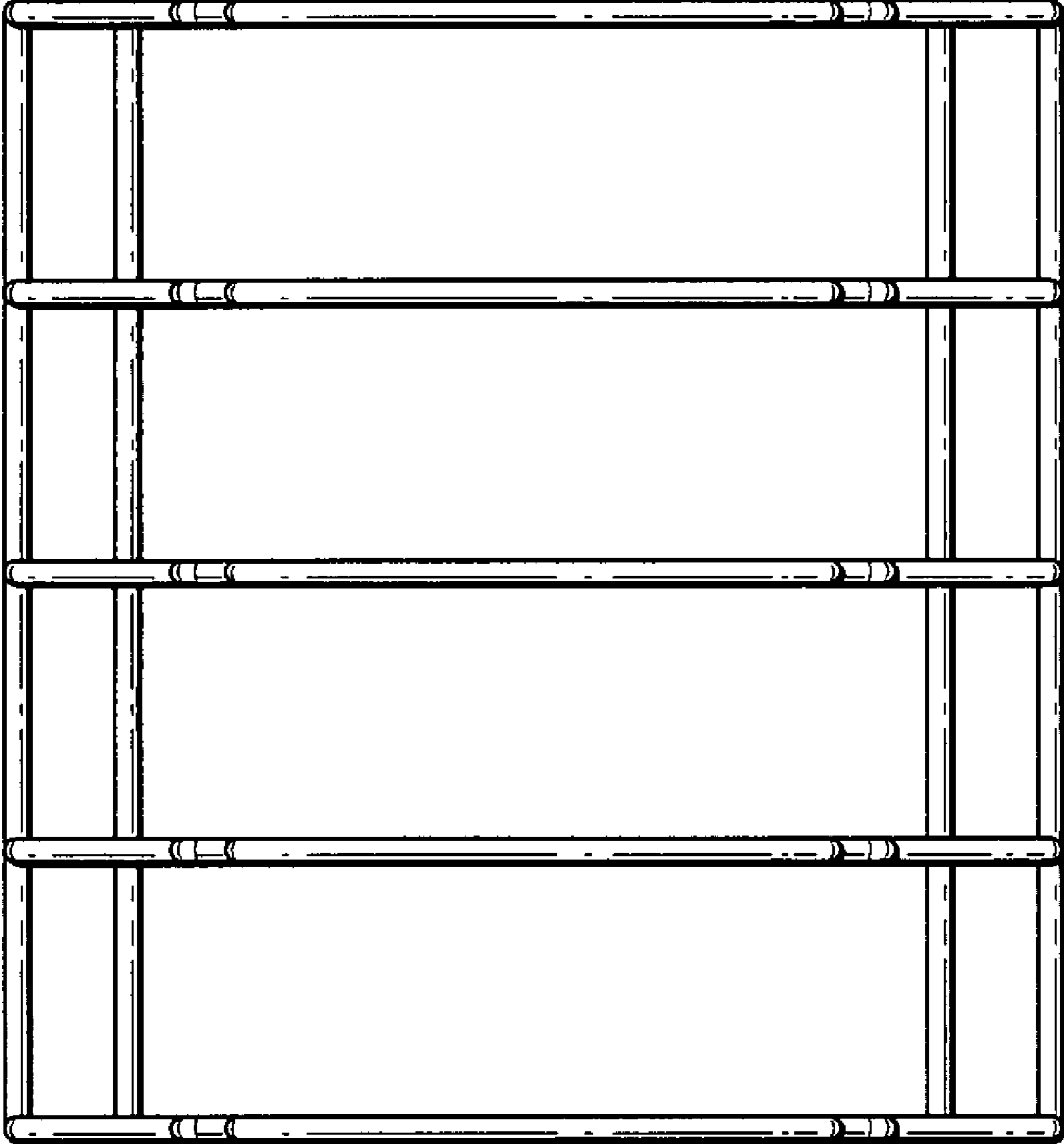


FIG. 3

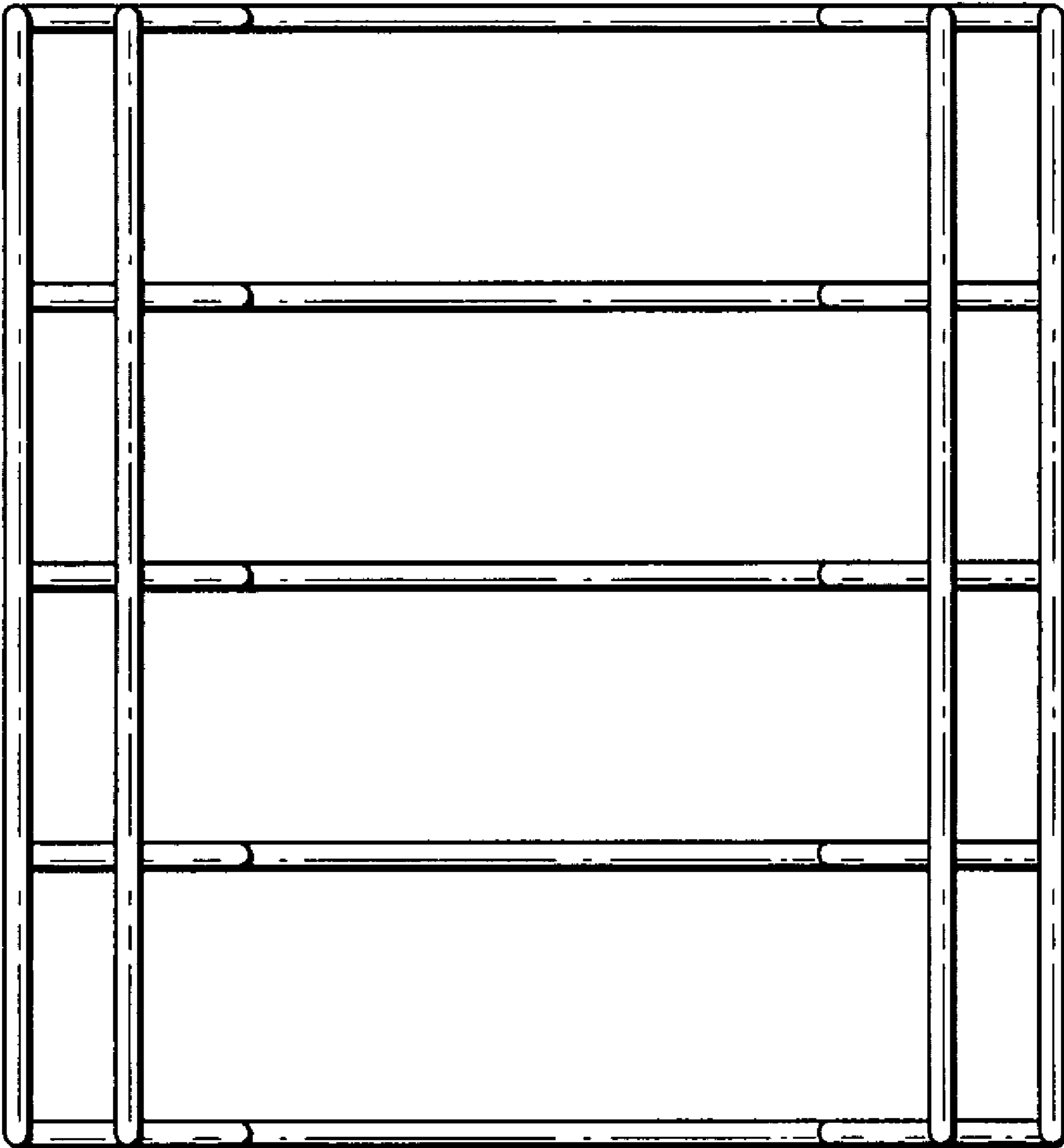


FIG. 4

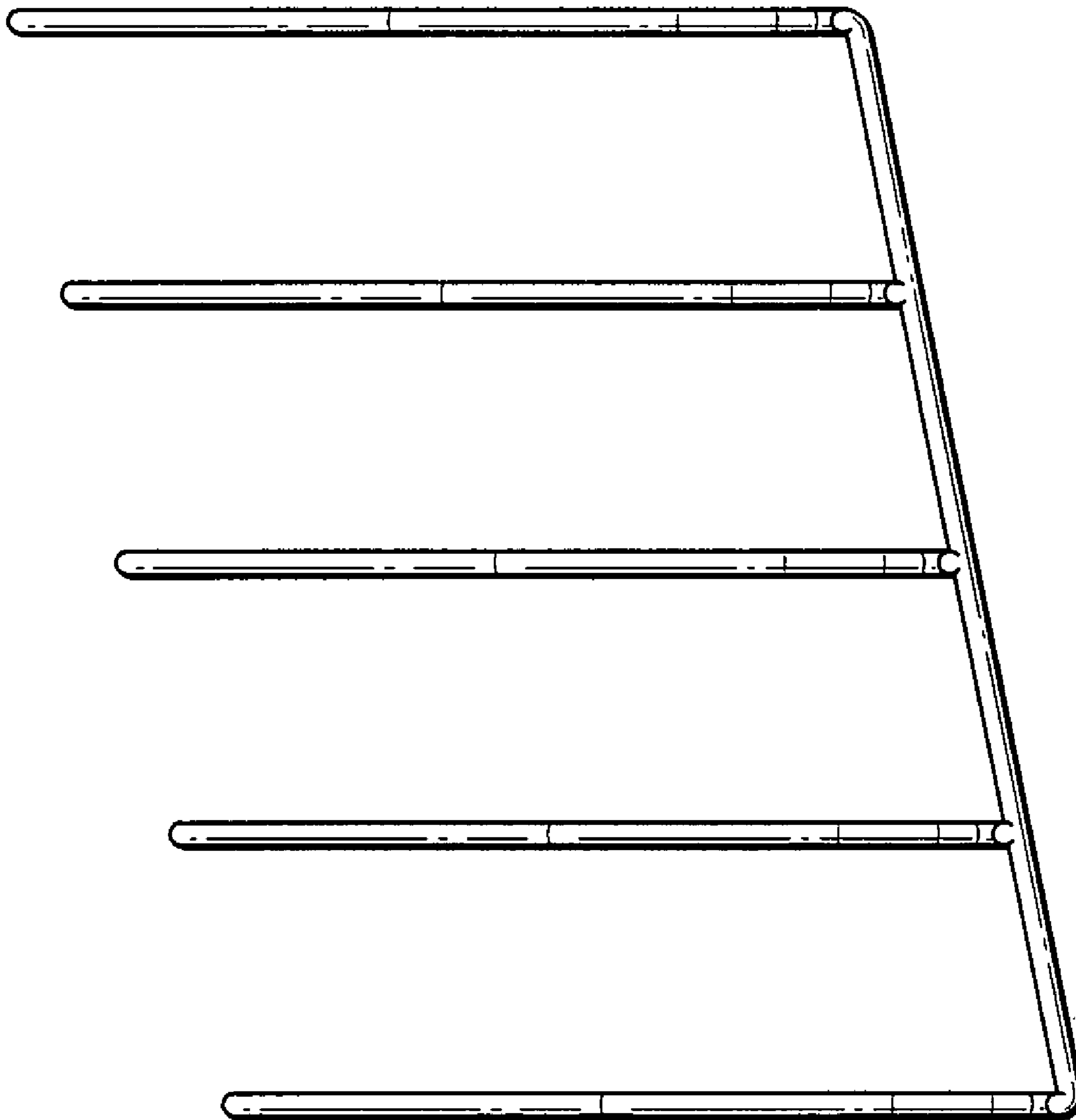


FIG. 5

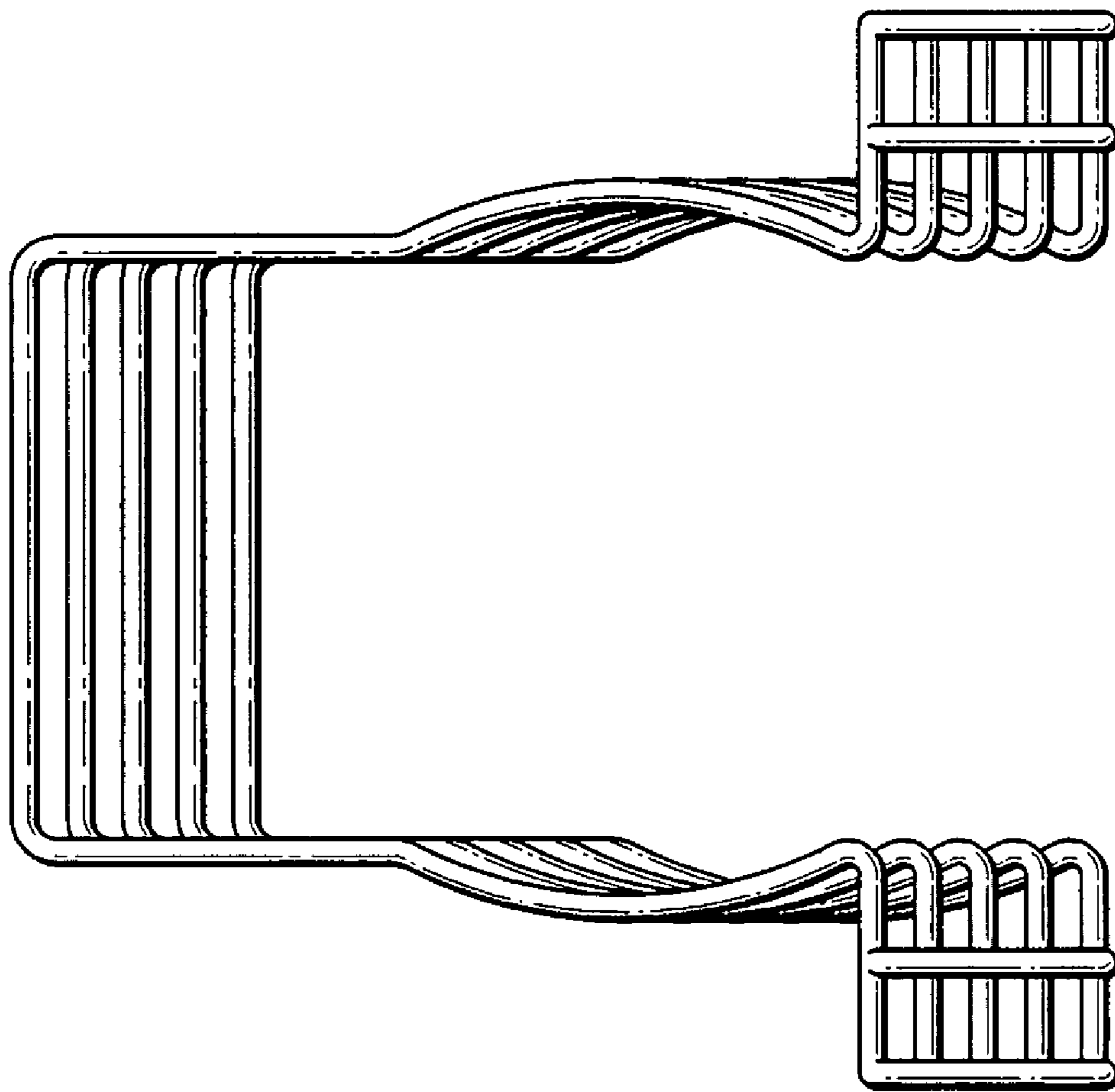


FIG. 6

