



US00D572937S

(12) **United States Design Patent**
Wenskowski

(10) **Patent No.:** **US D572,937 S**
(45) **Date of Patent:** **** Jul. 15, 2008**

(54) **WORKBENCH**

(75) Inventor: **Joerg Wenskowski**, Bexbach (DE)

(73) Assignee: **H.G.V. Haus und Garten-Marketing und Vertriebsgesellschaft mbH**, Bexbach (DE)

(**) Term: **14 Years**

(21) Appl. No.: **29/264,444**

(22) Filed: **Aug. 10, 2006**

(30) **Foreign Application Priority Data**

Feb. 10, 2006 (DE) 4 06 00 788

(51) **LOC (8) Cl.** **06-03**

(52) **U.S. Cl.** **D6/400**

(58) **Field of Classification Search** D6/400, D6/396, 397, 477, 468, 465, 461, 455, 478, D6/514, 629, 355, 349, 430, 429; 269/16, 269/139, 220, 154; 108/29, 27, 64, 59, 42, 108/56.1, 115, 158.12, 157.16; 312/280, 312/430; 144/286.1

See application file for complete search history.

(56) **References Cited**

U.S. PATENT DOCUMENTS

- D230,801 S * 3/1974 Hickman D6/400
- D250,079 S * 10/1978 Hickman et al. D6/400
- 4,155,386 A * 5/1979 Alessio 144/286.1
- 4,199,135 A * 4/1980 Wohrle et al. 269/100
- D256,533 S * 8/1980 Alessio D6/400
- D256,641 S * 9/1980 Wilson et al. D6/400
- 4,252,304 A * 2/1981 Pettican 269/139
- 4,278,243 A * 7/1981 Alessio 269/16
- D266,128 S * 9/1982 Ferdinand et al. D6/400
- 4,378,107 A * 3/1983 Wagster et al. 269/95
- 4,909,491 A * 3/1990 Cheng 269/16
- D374,996 S * 10/1996 Noniewicz D6/400
- 5,806,947 A * 9/1998 Meisner et al. 312/280

- 5,924,684 A * 7/1999 Cheng 269/139
- 5,950,999 A * 9/1999 Lin 269/139
- 6,113,088 A * 9/2000 Gakhar et al. 269/139
- D432,810 S * 10/2000 Eckhoff et al. D6/400
- D448,948 S * 10/2001 Wolff D6/400
- D491,962 S * 6/2004 Laga D15/141
- 6,769,674 B2 * 8/2004 Chang 269/139
- 2003/0214088 A1 * 11/2003 Chang 269/139

FOREIGN PATENT DOCUMENTS

- EP 758576 A1 * 2/1997
- GB 2028642 A * 3/1980
- GB 2389557 A * 12/2003
- WO WO 9805474 A1 * 2/1998
- WO WO 9909940 A1 * 2/1999

* cited by examiner

Primary Examiner—Caron D. Veynar
Assistant Examiner—Sydney R Buffalow

(74) *Attorney, Agent, or Firm*—Muncy, Geissler, Olds & Lowe, PLLC

(57) **CLAIM**

The ornamental design for a workbench, as shown and described.

DESCRIPTION

FIG. 1 is a right, front perspective view of a workbench showing my new design;

FIG. 2 is a front side view of the workbench of FIG. 1;

FIG. 3 is a right side view of the workbench of FIG. 1;

FIG. 4 is a left side view of the workbench of FIG. 1;

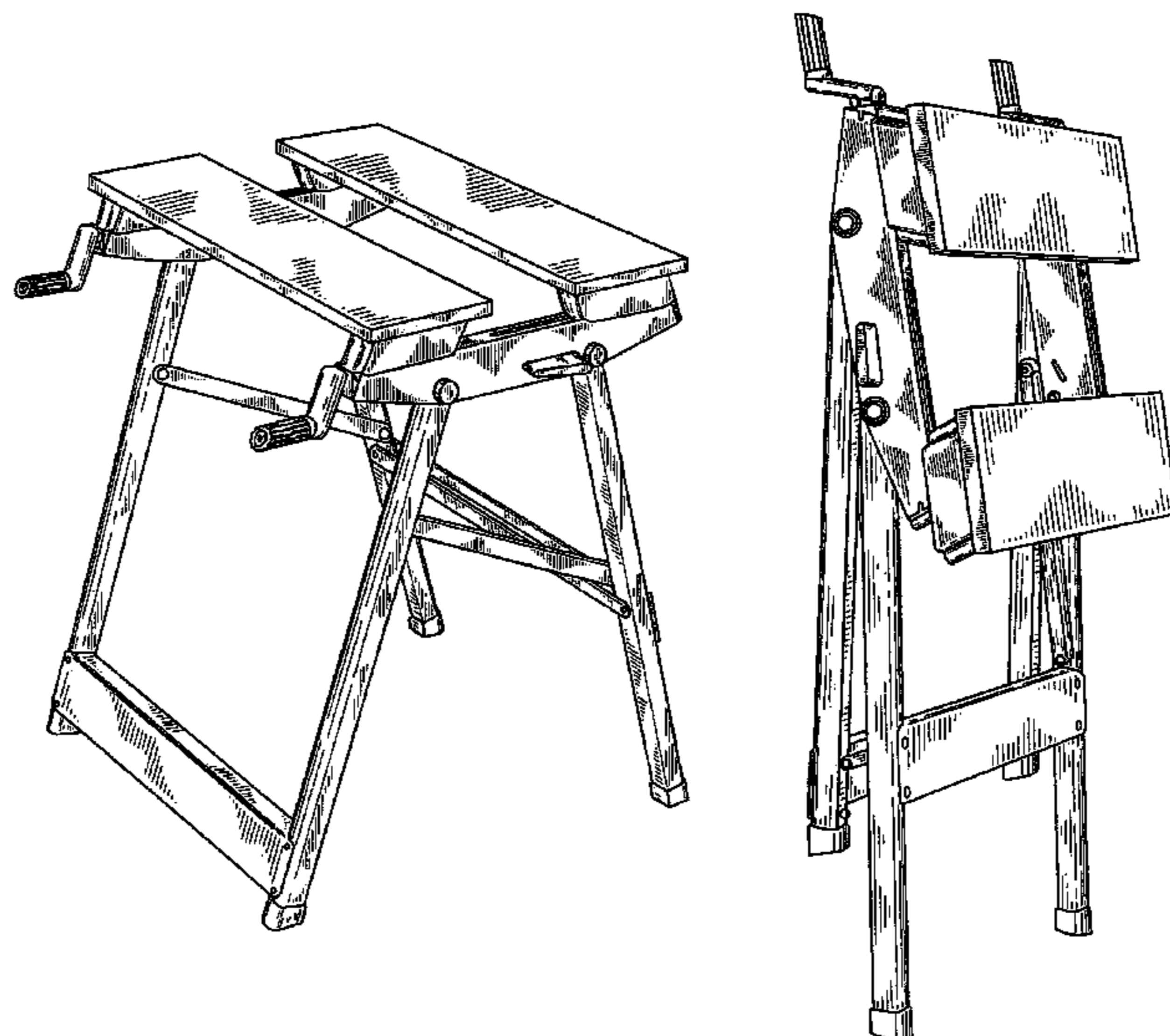
FIG. 5 is a rear side view of the workbench of FIG. 1;

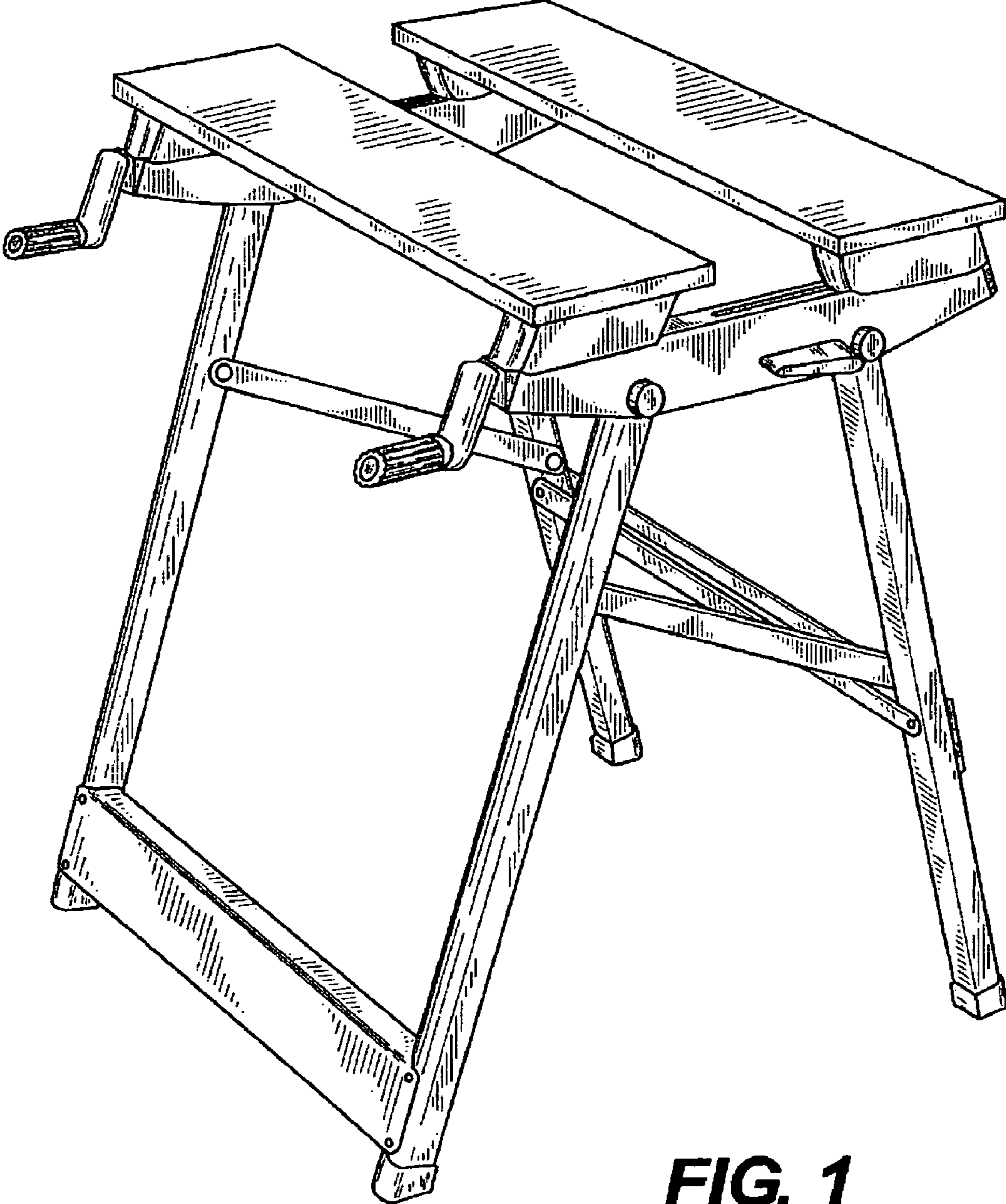
FIG. 6 is a top plan view of the workbench of FIG. 1; and,

FIG. 7 is a front perspective view of the workbench of FIG. 1 when in a collapsed condition.

The bottom of the workbench is unornamented.

1 Claim, 7 Drawing Sheets





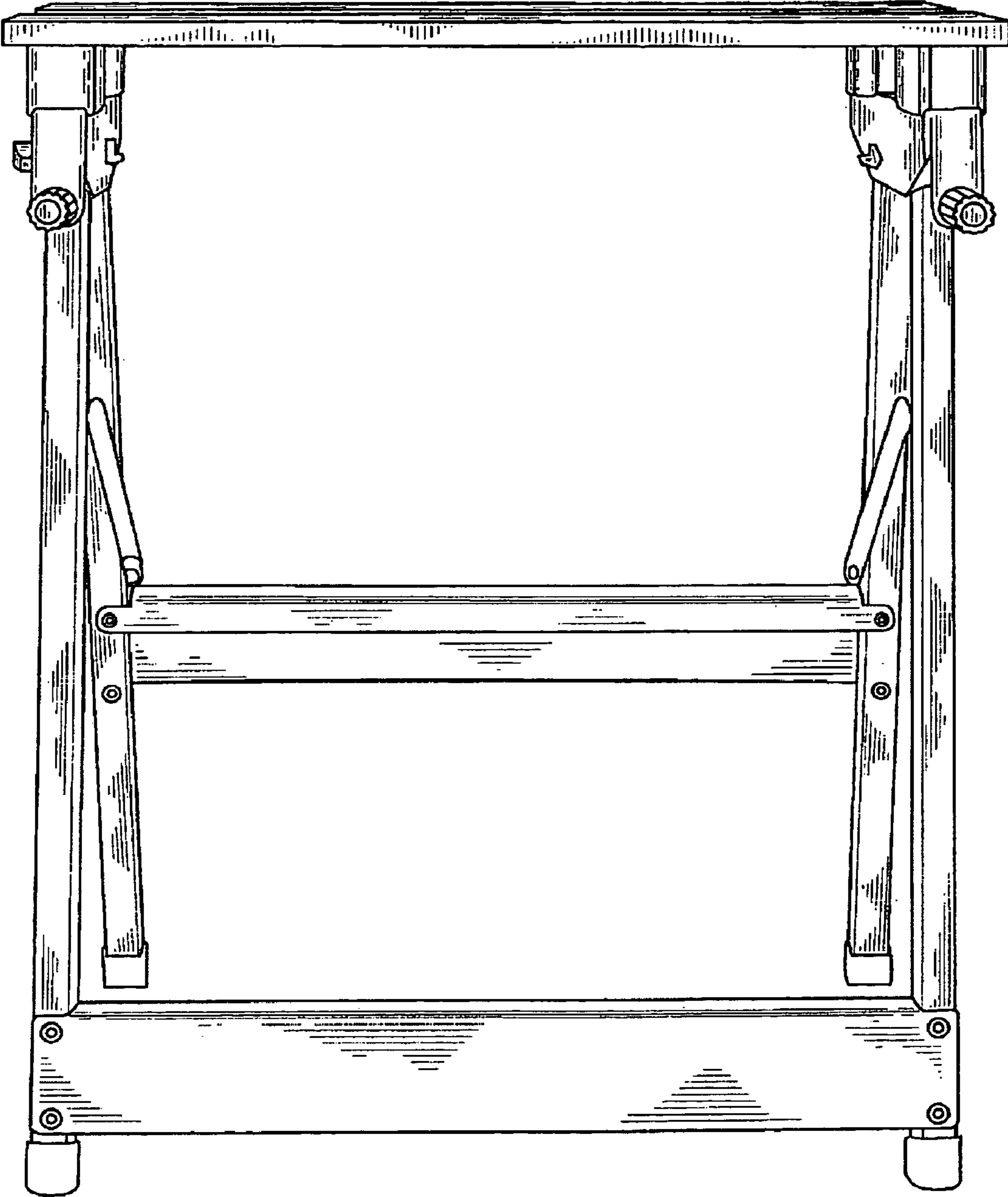


FIG. 2

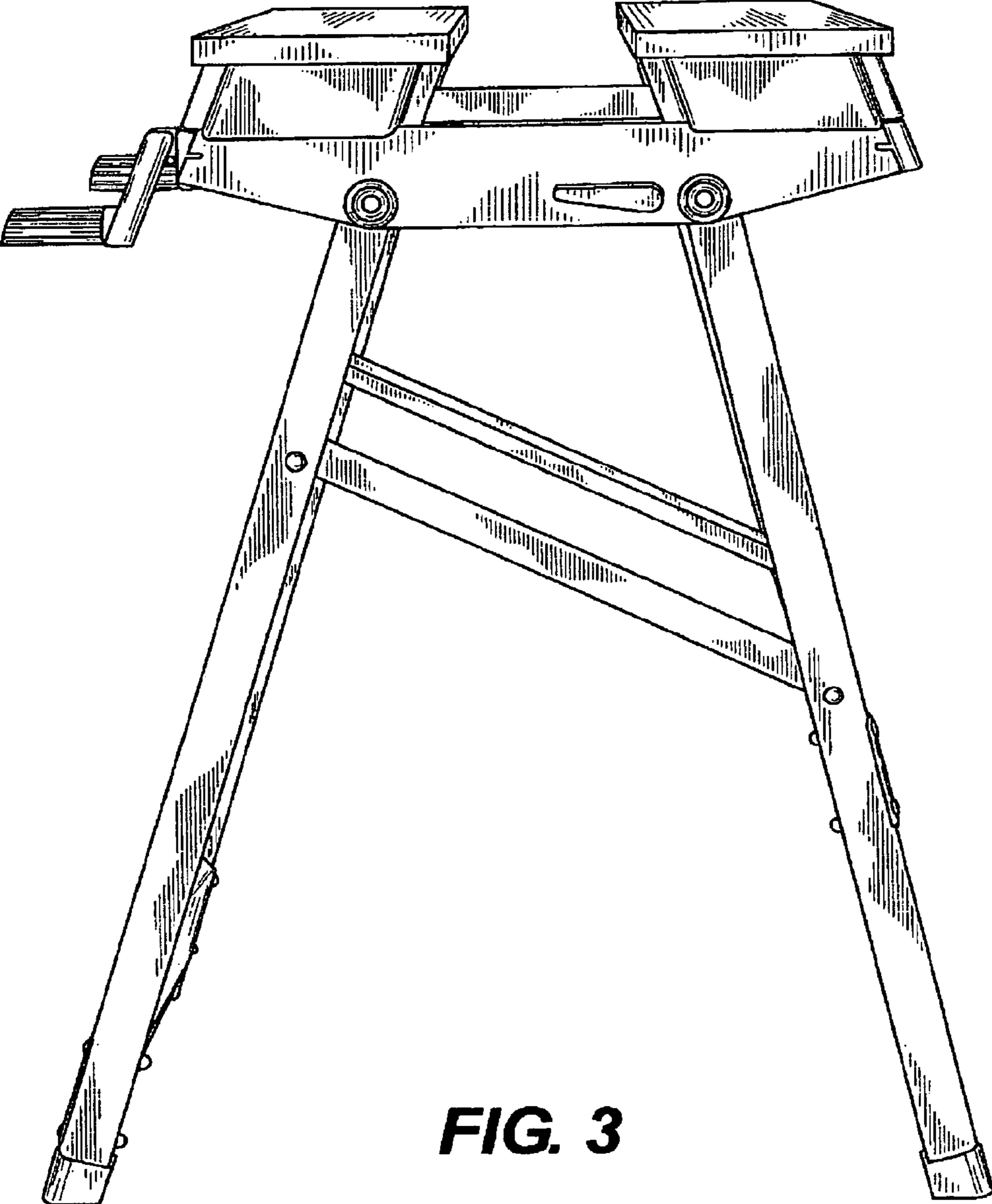


FIG. 3

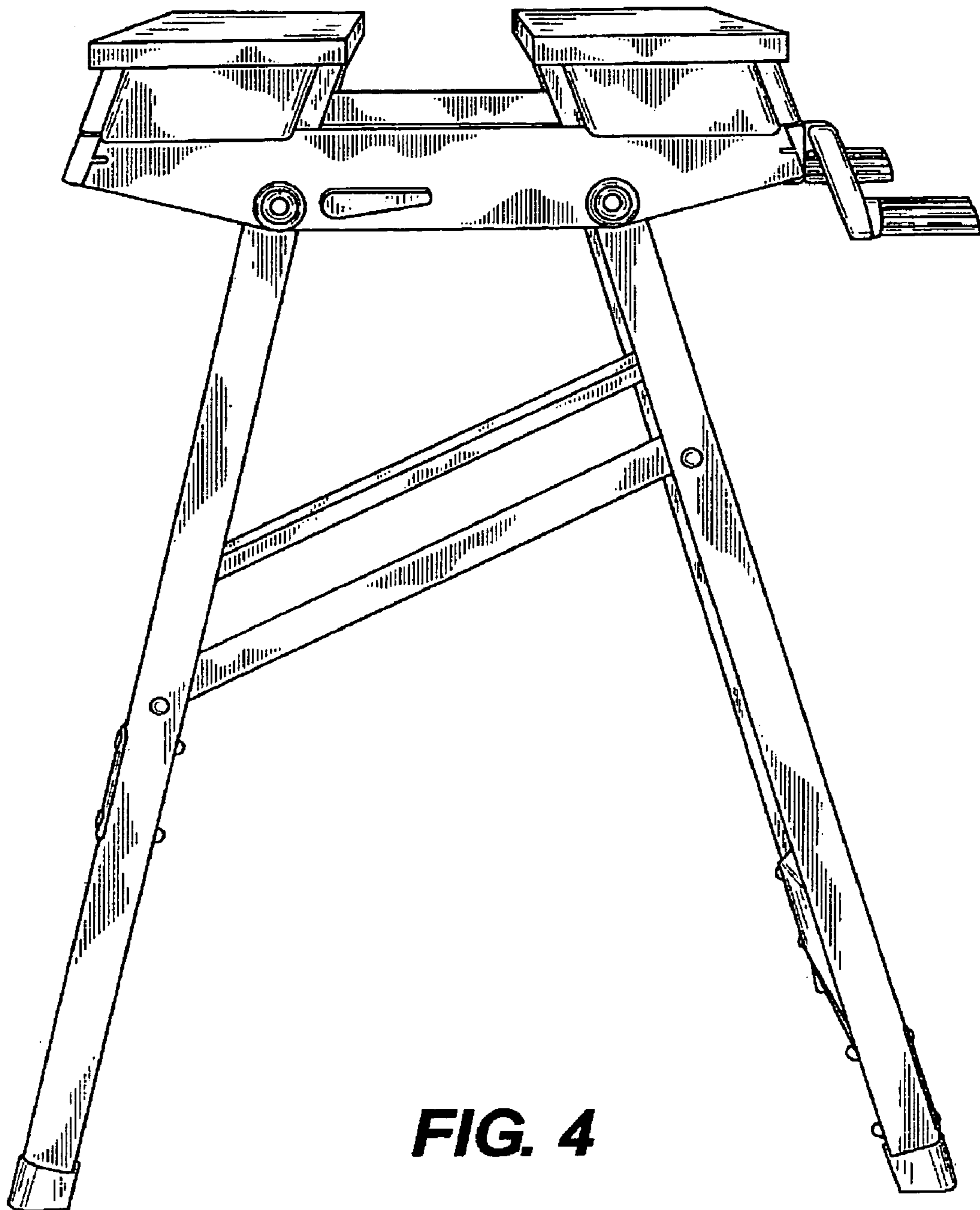


FIG. 4

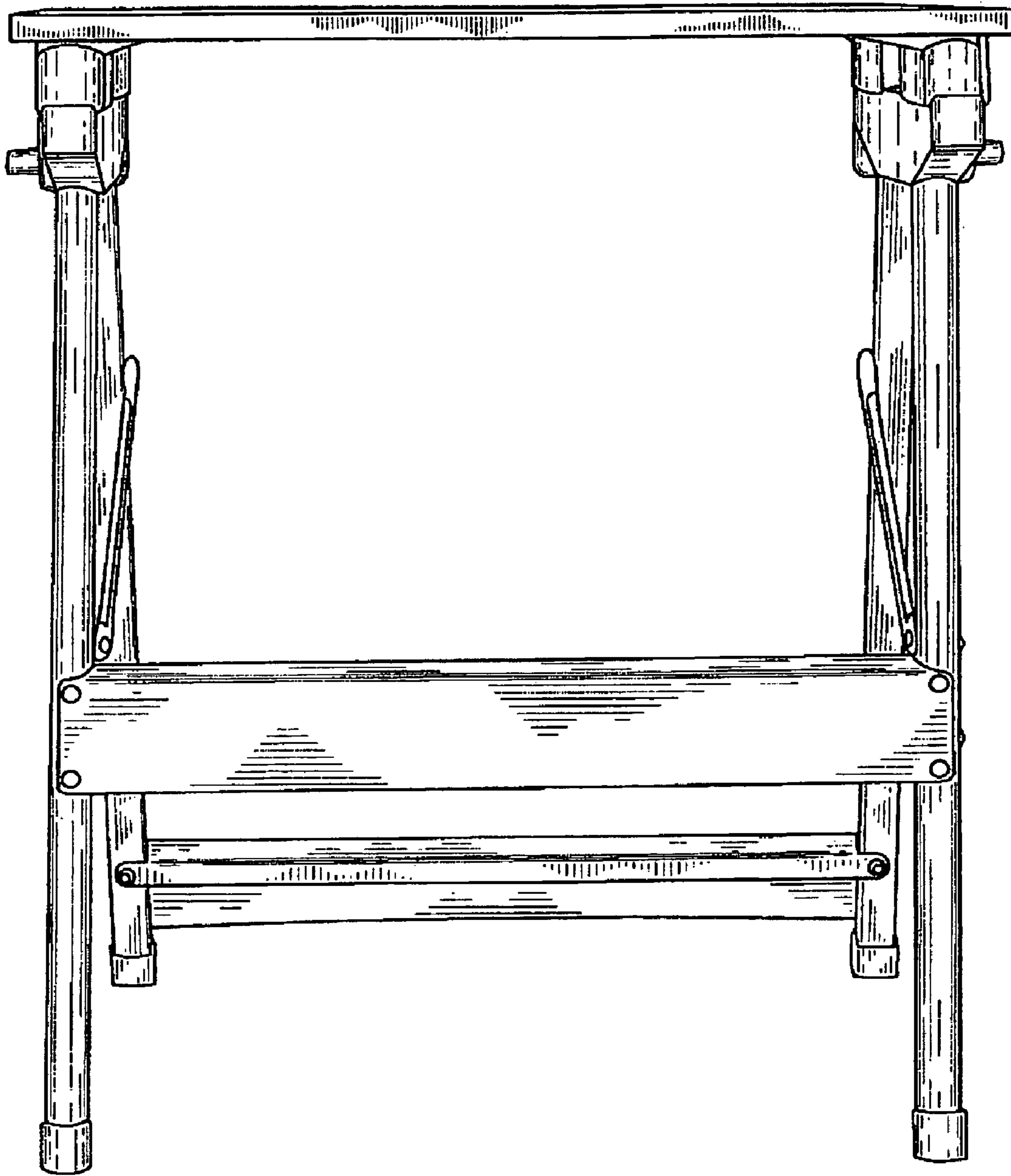


FIG. 5

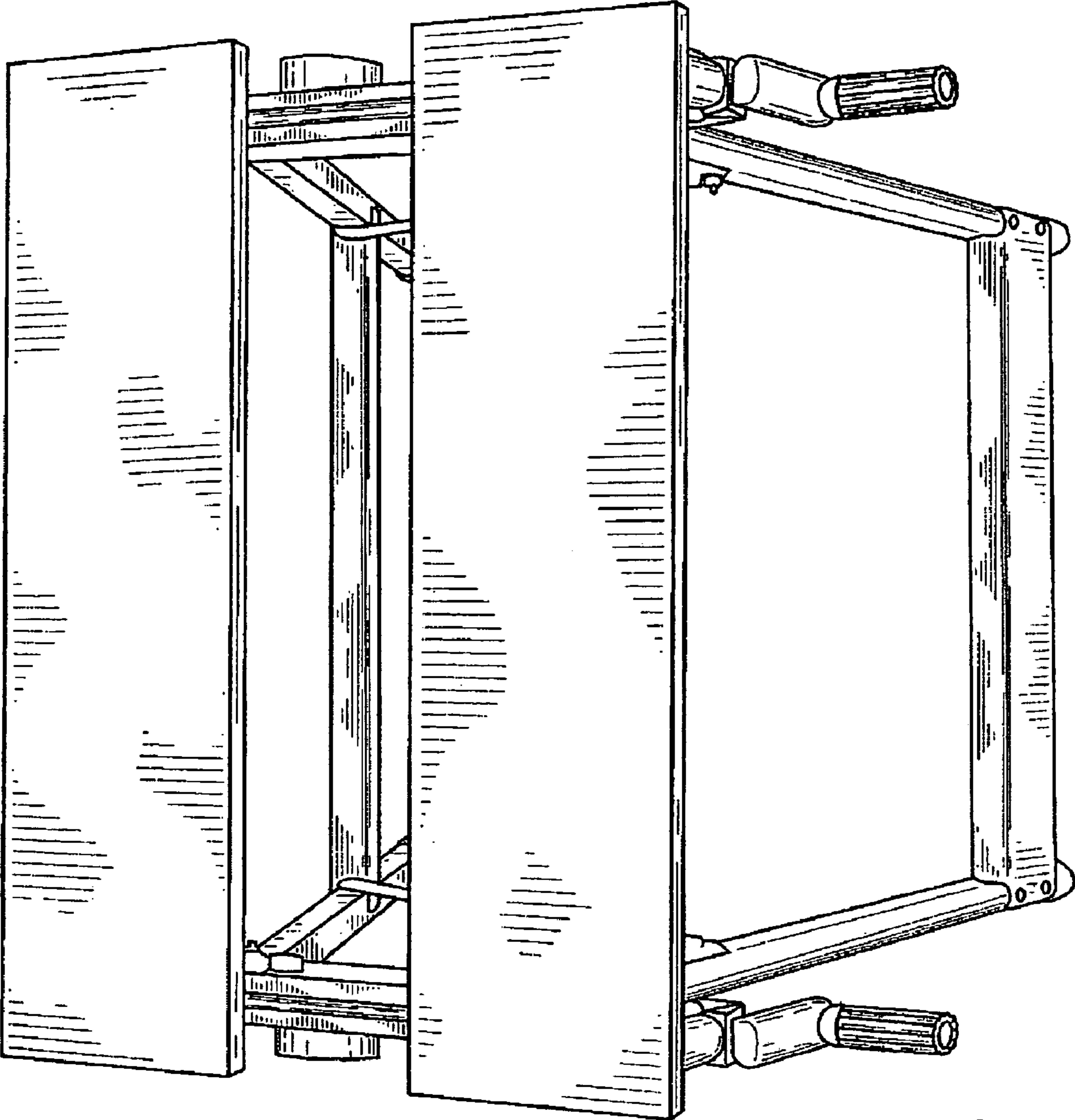


FIG. 6

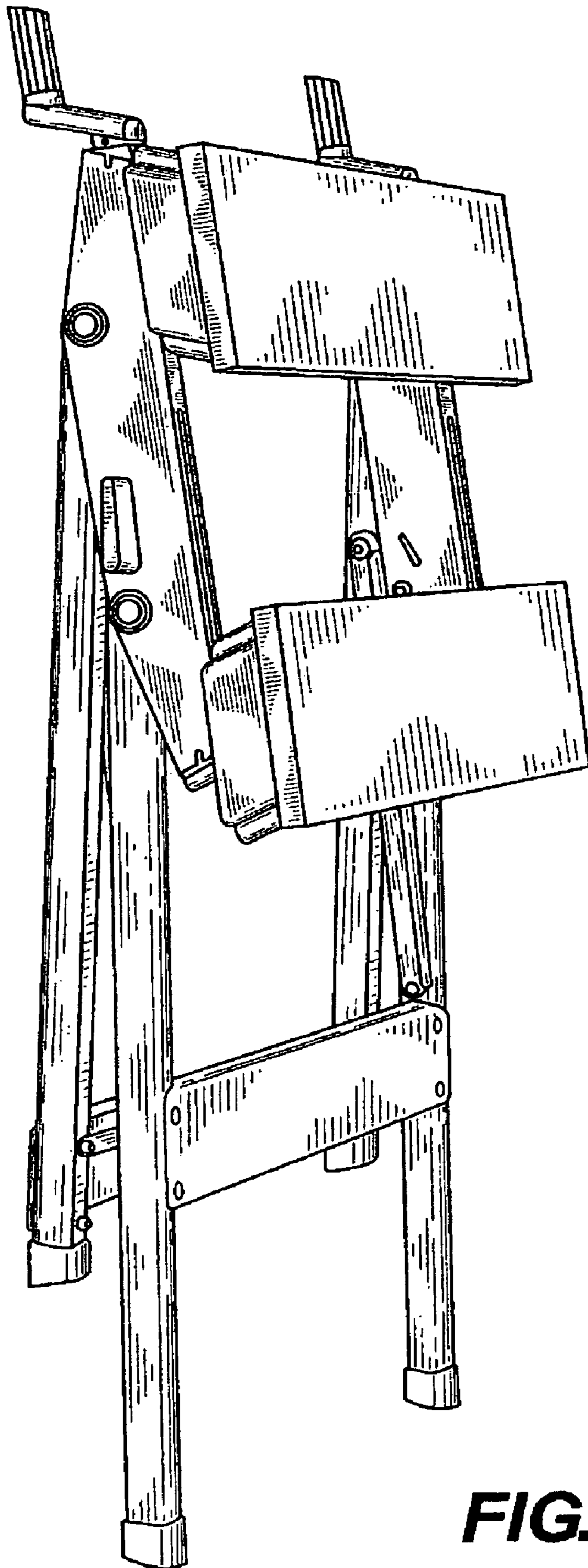


FIG. 7