



US00D572928S

(12) **United States Design Patent**  
**Rittfeldt et al.**

(10) **Patent No.:** **US D572,928 S**  
(45) **Date of Patent:** **\*\* Jul. 15, 2008**

(54) **CHAIR**

(75) Inventors: **Mårten Rittfeldt**, Skanör (SE); **Oskar Ponnert**, Malmö (SE)

(73) Assignee: **Ergonomiprodukter I Bodafors AB**, Nassjo (SE)

(\*\*) Term: **14 Years**

(21) Appl. No.: **29/274,770**

(22) Filed: **May 23, 2007**

(30) **Foreign Application Priority Data**

Nov. 24, 2006 (EM) ..... 000627161

(51) **LOC (8) Cl.** ..... **06-01**

(52) **U.S. Cl.** ..... **D6/375**

(58) **Field of Classification Search** ..... D6/375,  
D6/370, 334-336, 358, 364-367, 372-374,  
D6/379, 356, 498, 500-502; 297/411.2,  
297/411.27, 411.28, 411.36, 452.29, 284.4,  
297/452.3

See application file for complete search history.

(56) **References Cited**

**U.S. PATENT DOCUMENTS**

2,936,826 A \* 5/1960 Reineman ..... 297/451.12  
D468,918 S \* 1/2003 de Blois ..... D6/360  
D470,320 S \* 2/2003 Schloss ..... D6/375  
D471,729 S \* 3/2003 Glass et al. .... D6/375

D471,730 S \* 3/2003 Schloss ..... D6/375  
D492,131 S \* 6/2004 Starck ..... D6/375  
D499,260 S \* 12/2004 Glass et al. .... D6/375  
D522,265 S \* 6/2006 Glass et al. .... D6/375  
D544,230 S \* 6/2007 Glass et al. .... D6/375  
D546,087 S \* 7/2007 Rashid ..... D6/375  
D555,379 S \* 11/2007 Ziliani ..... D6/375  
D559,002 S \* 1/2008 Williams et al. .... D6/380

\* cited by examiner

*Primary Examiner*—Robert M. Spear

*Assistant Examiner*—Katrina A Kile

(74) *Attorney, Agent, or Firm*—Birch, Stewart, Kolasch & Birch, LLP

(57) **CLAIM**

The ornamental design for a chair, as shown and described.

**DESCRIPTION**

FIG. 1 is a front, left perspective view of a chair, showing our new design;

FIG. 2 is a bottom, right perspective view thereof;

FIG. 3 is a right side view thereof, the left side view being a mirror image thereof;

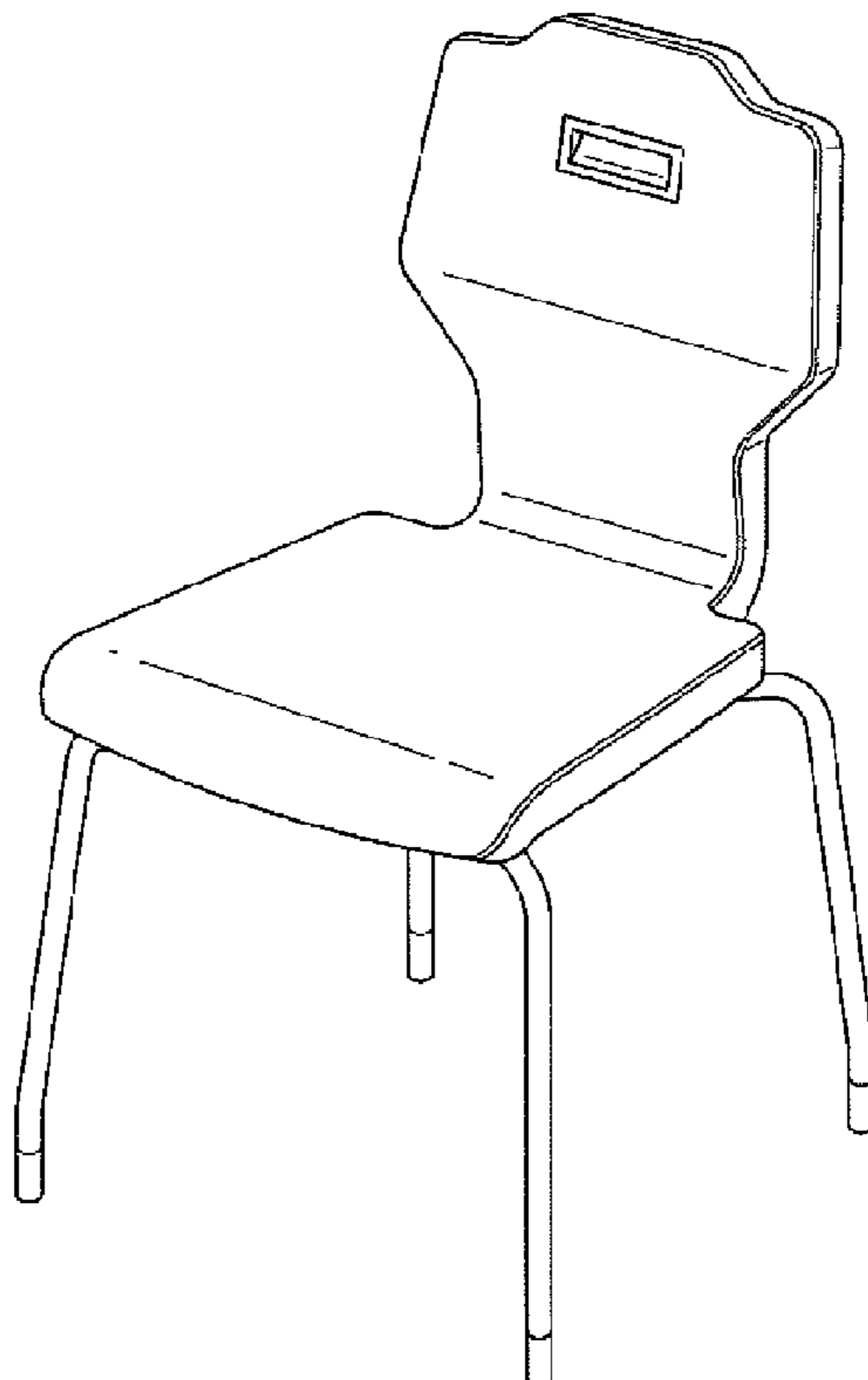
FIG. 4 is a front elevational view thereof;

FIG. 5 is a top plan view thereof;

FIG. 6 is a rear elevational view thereof; and,

FIG. 7 is a bottom plan view thereof.

**1 Claim, 7 Drawing Sheets**



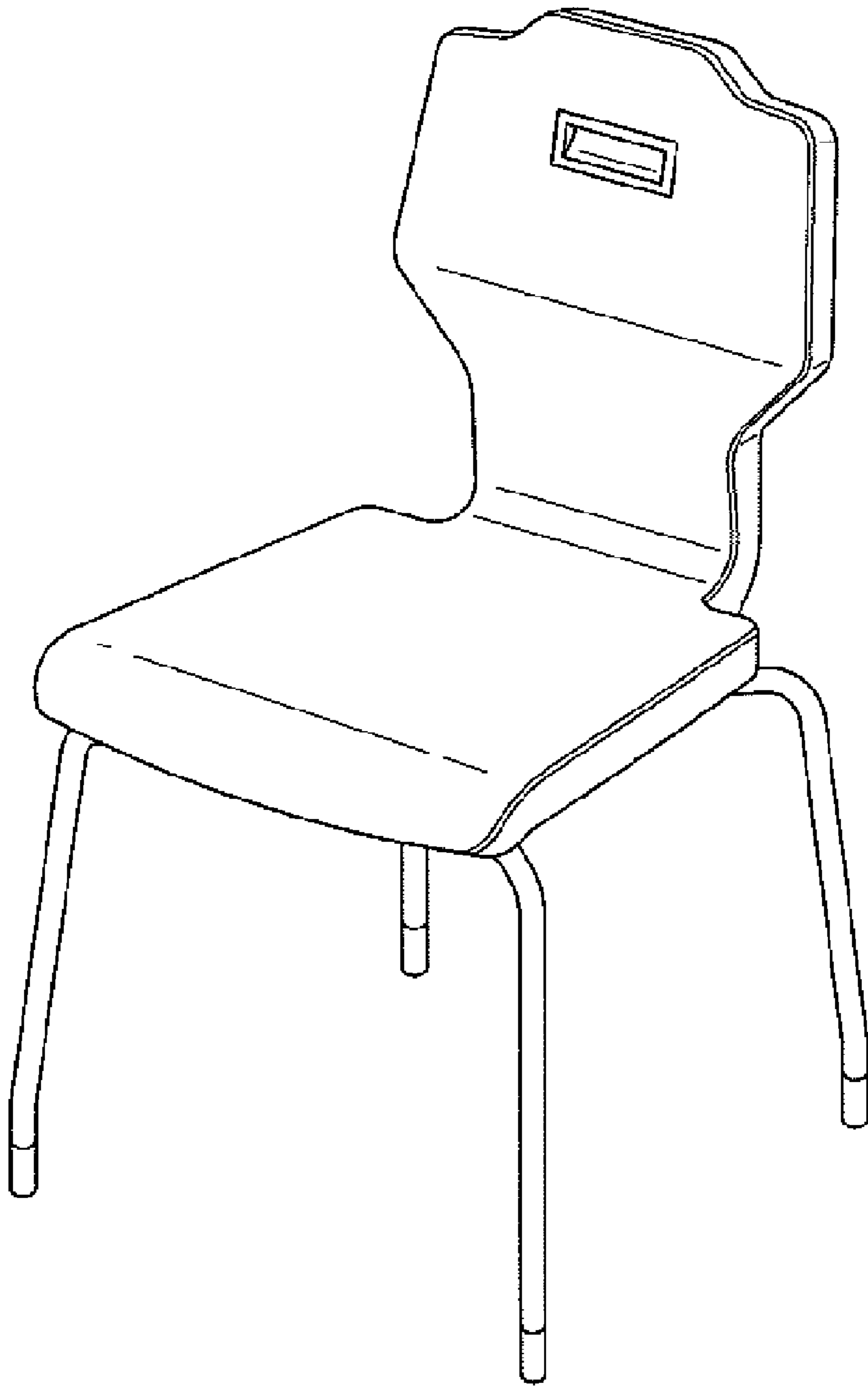


FIG. 1

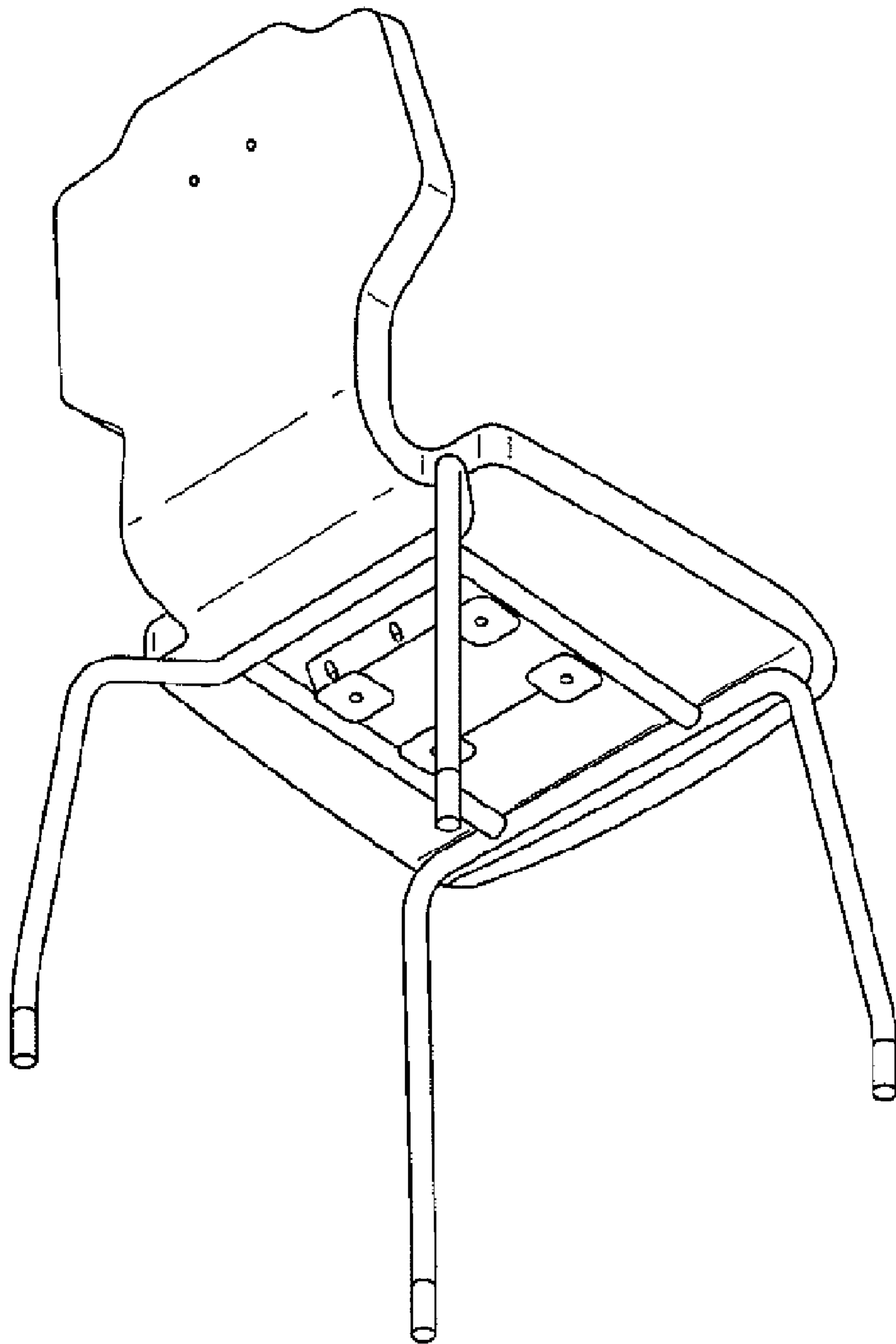


FIG.2

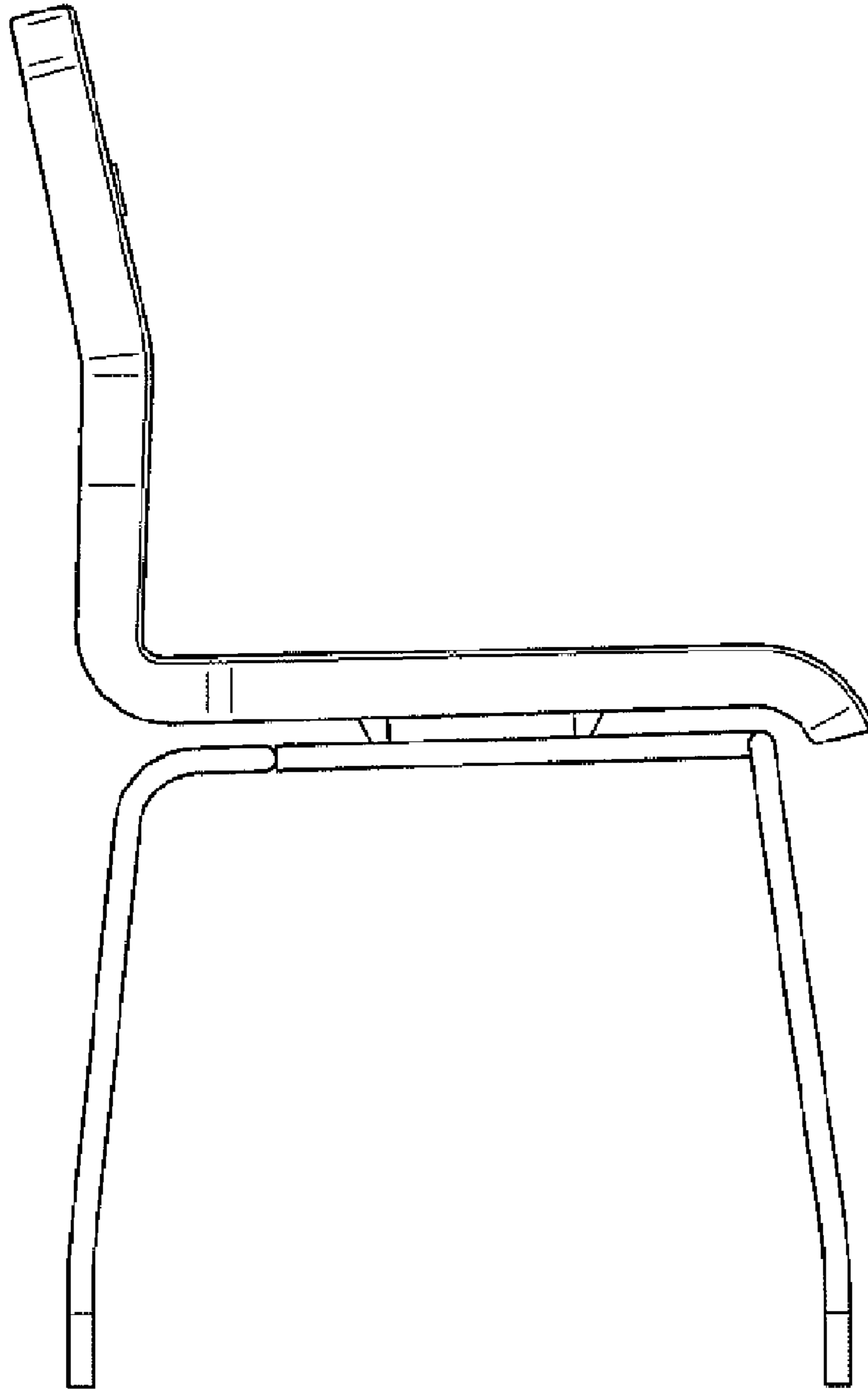


FIG.3

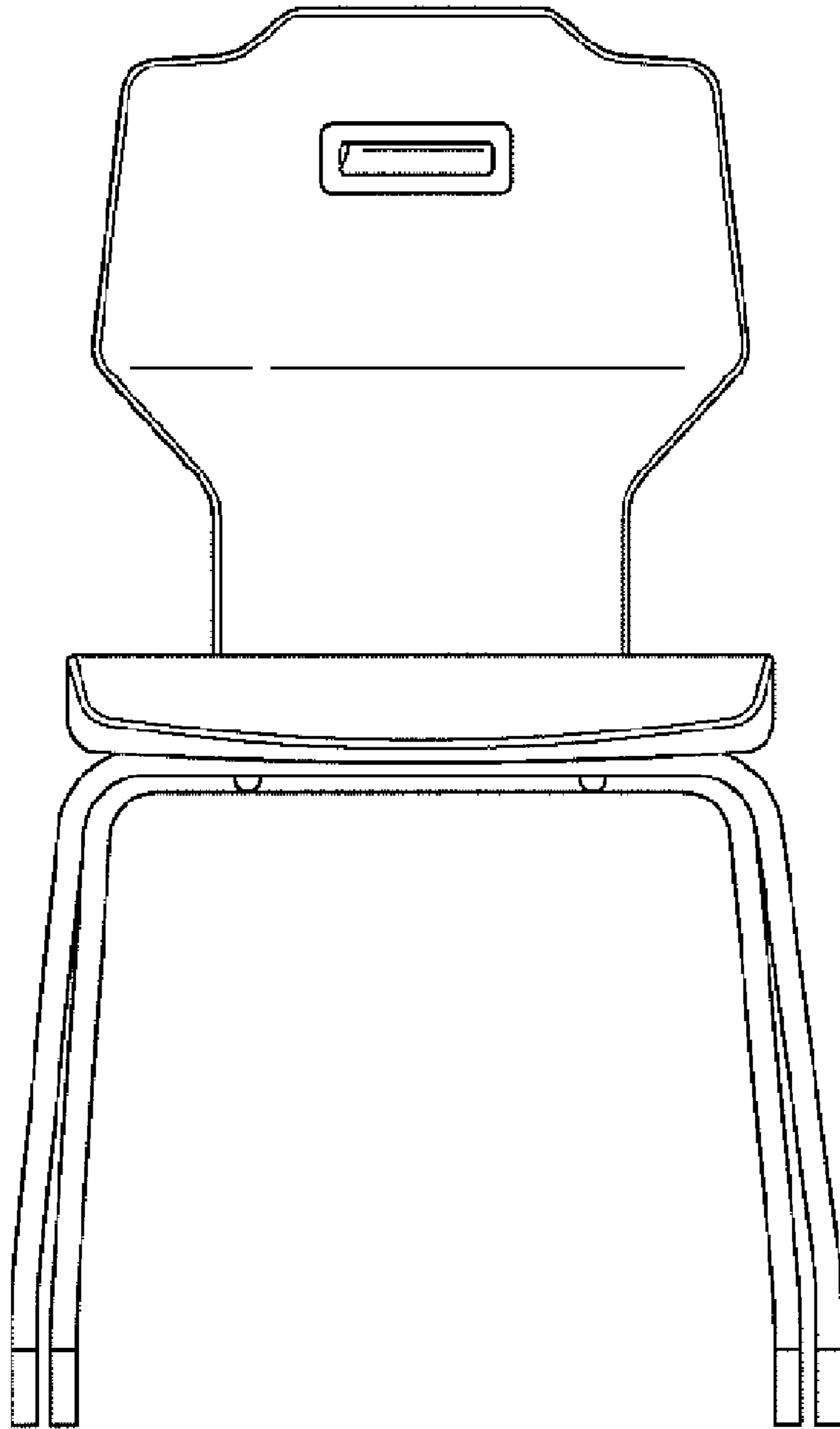


FIG.4

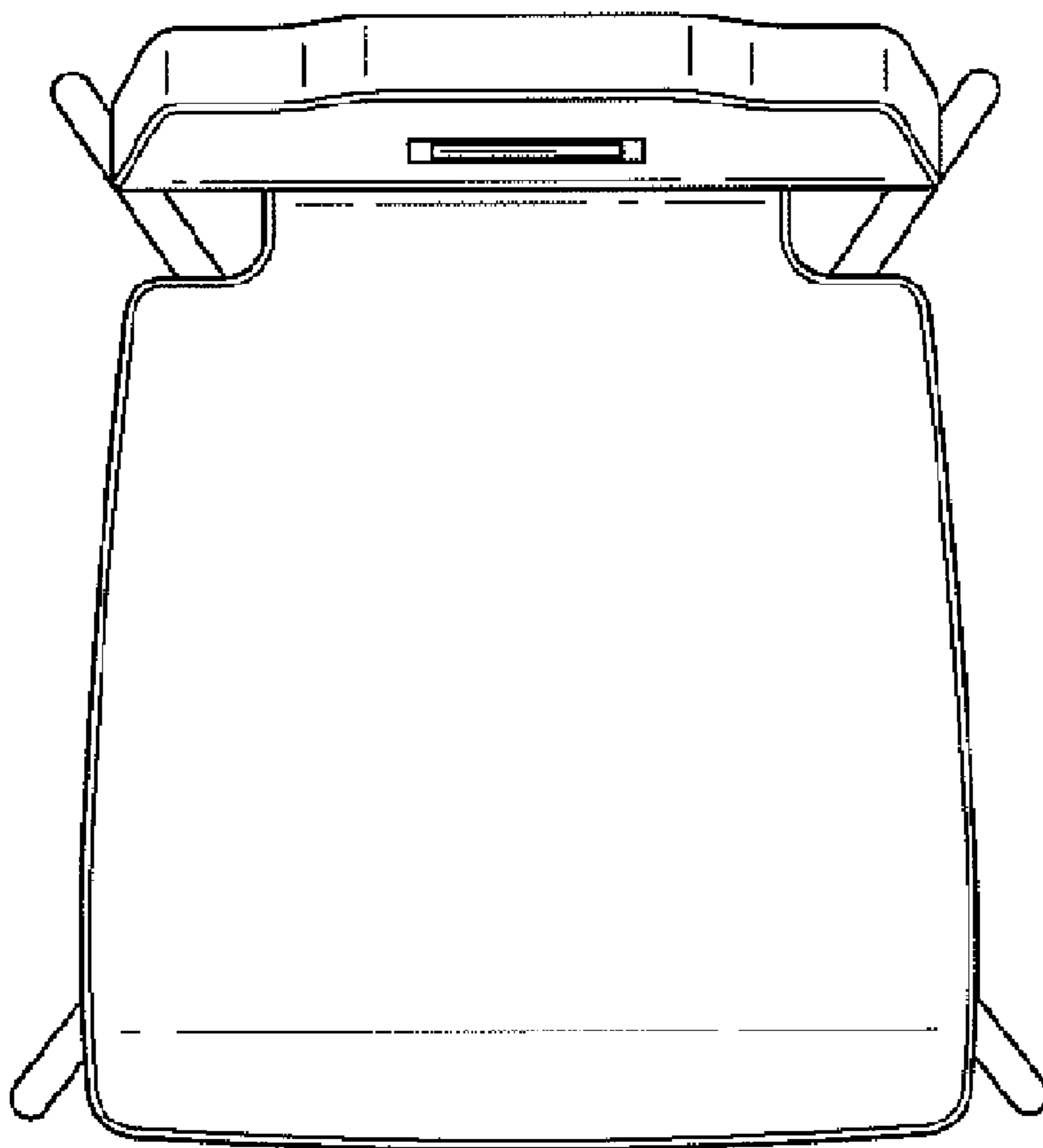


FIG. 5

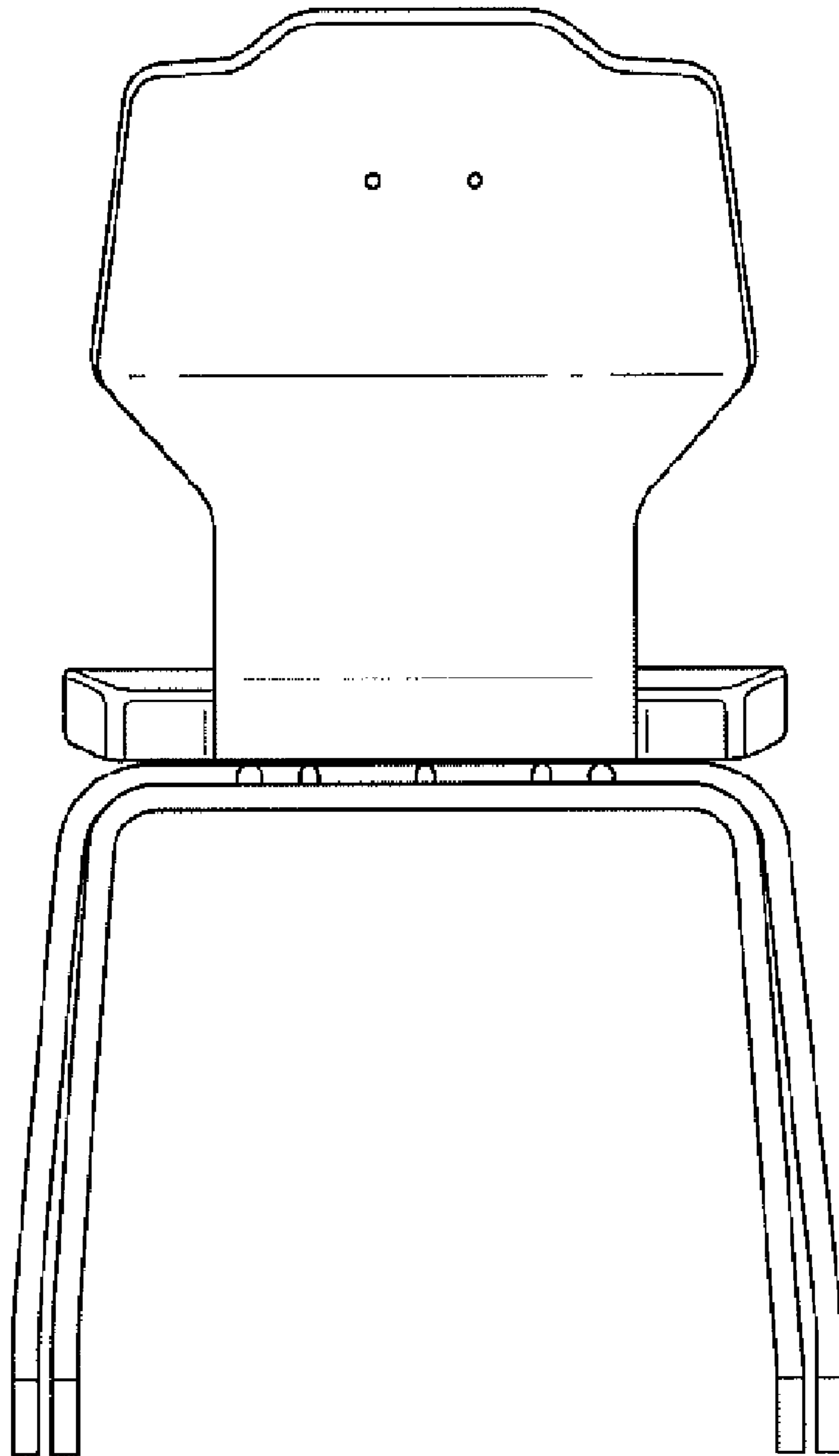


FIG.6

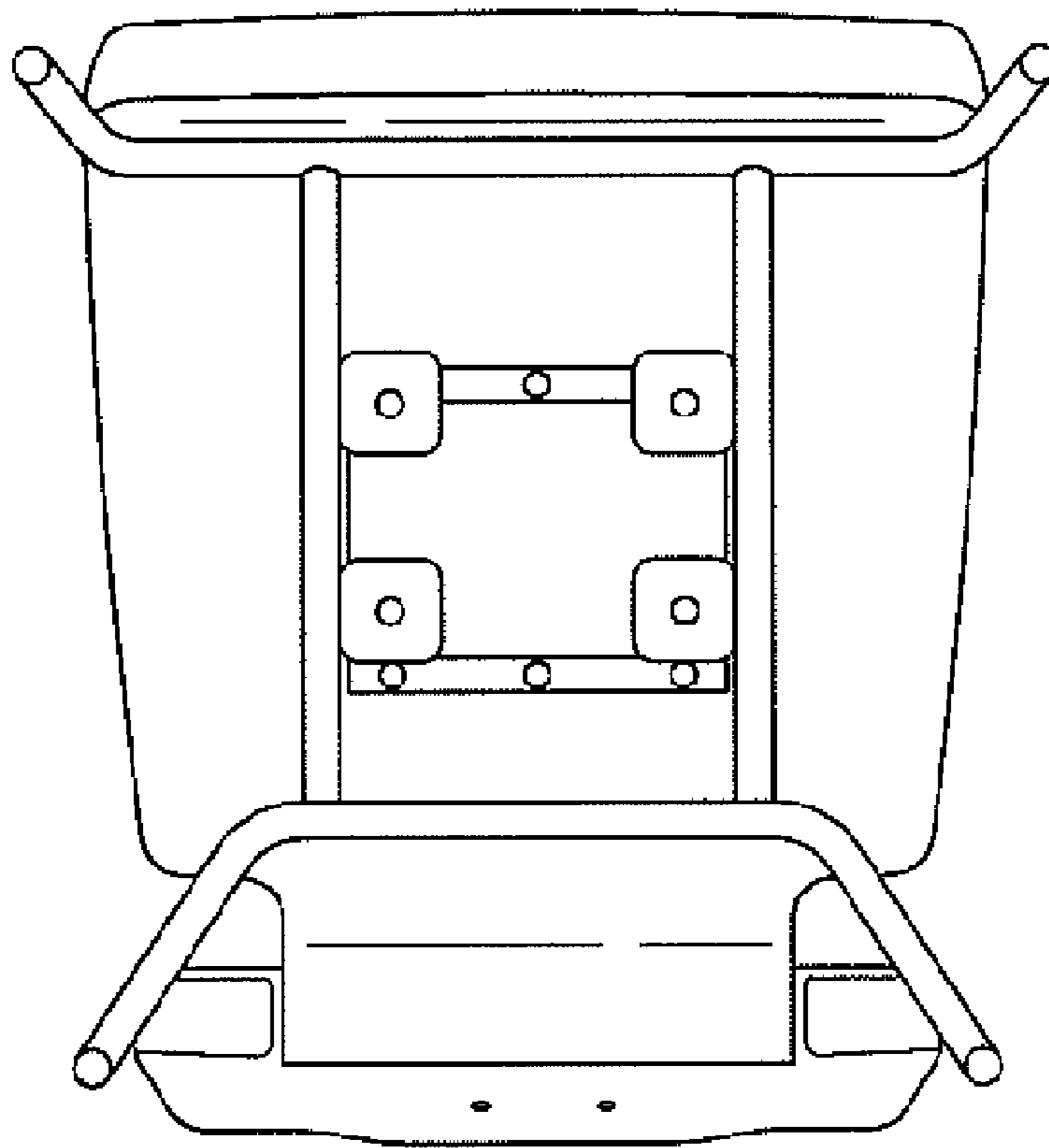


FIG. 7