



US00D572927S

(12) **United States Design Patent**
Bernett et al.

(10) **Patent No.:** **US D572,927 S**
(45) **Date of Patent:** **** Jul. 15, 2008**

(54) **CHAIR**

(75) Inventors: **Jeffrey T. Bennett**, New York, NY (US);
Nicholas Dodziuk, Brooklyn, NY (US)

(73) Assignee: **Knoll, Inc.**, East Greenville, PA (US)

(**) Term: **14 Years**

(21) Appl. No.: **29/288,241**

(22) Filed: **Jun. 5, 2007**

(51) **LOC (8) Cl.** **06-01**

(52) **U.S. Cl.** **D6/372; D6/380**

(58) **Field of Classification Search** D6/334-336,
D6/371, 372, 373, 374, 379, 380, 499, 500-502;
297/411.42, 445.1, 446.1, 447.1, 451.3, 451.7,
297/452.2

See application file for complete search history.

(56) **References Cited**

U.S. PATENT DOCUMENTS

D128,802 S *	8/1941	Scheinfield	D6/372
D230,788 S *	3/1974	Petersen	D6/372
D250,559 S	12/1978	Petersen		
D274,579 S	7/1984	Diffrient		
D305,388 S *	1/1990	Mascheroni	D6/372
D331,669 S	12/1992	Citterio		
D348,787 S *	7/1994	Zapf	D6/372
D350,653 S	9/1994	Citterio		
D498,940 S *	11/2004	Getzel	D6/372
D508,792 S *	8/2005	Dorigo	D6/372
D527,921 S *	9/2006	Iida et al.	D6/373

OTHER PUBLICATIONS

“Stem—Intellegent Seating”—Website pages, 2005, pp. 1-2, www.stem.com.au, Victoria, Australia.

“Emmegi—Seating”—Website pages, date unknown—“Free” chair p. 1, www.emmegiseating.com, Monselice, Italy.

“Emmegi—Seating”—Website pages, date unknown—“Everywhere” chair p. 1, www.emmegiseating.com, Monselice, Italy.

“Girsberger—Sitting Smart”—Website page, date unknown—“Girsberger 3300” chair, p. 1, www.girsberger.com, Smithfield, North Carolina, USA.

“Vitra—Visavis/Visaroll Citterio Collection”—brochure, 2006, pp. 1-4, Birsfelden, Switzerland.

“Vitra—Visavis 2 Citterio Collection”—brochure, 2006, pp. 1-6, Birsfelden, Switzerland.

“Dauphin HumanDesign Group”—brochure from Website, date unknown, “Teo” chair, pp. 1-3. www.dauphin.com, New York, New York.

* cited by examiner

Primary Examiner—Mimosa De

(74) *Attorney, Agent, or Firm*—Buchanan Ingersoll & Rooney PC

(57) **CLAIM**

The ornamental design for a chair, as shown and described.

DESCRIPTION

FIG. 1 is a front, side perspective view of a chair showing our new design;

FIG. 2 is a front elevational view thereof;

FIG. 3 is a rear elevational view thereof;

FIG. 4 is a top plan view thereof;

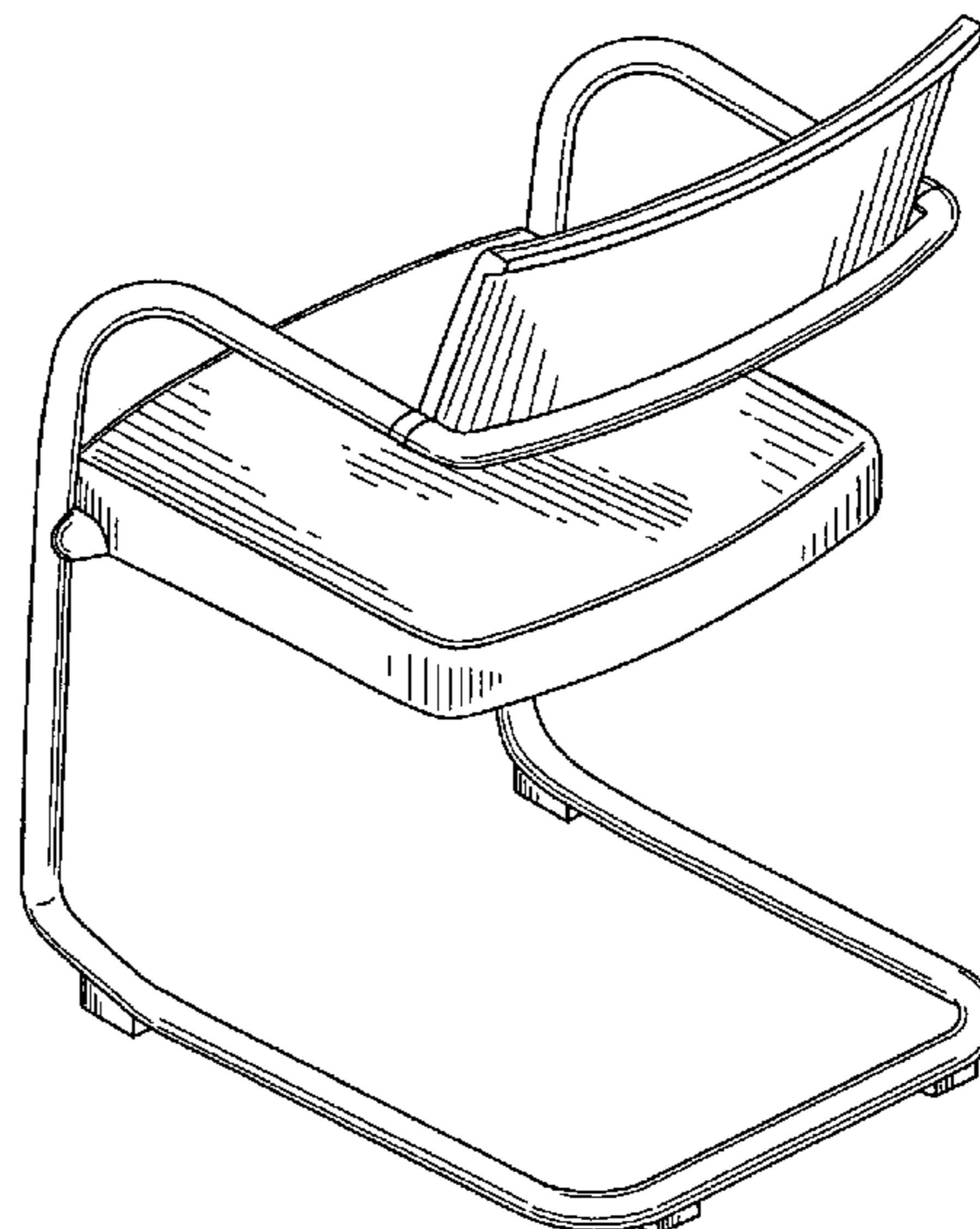
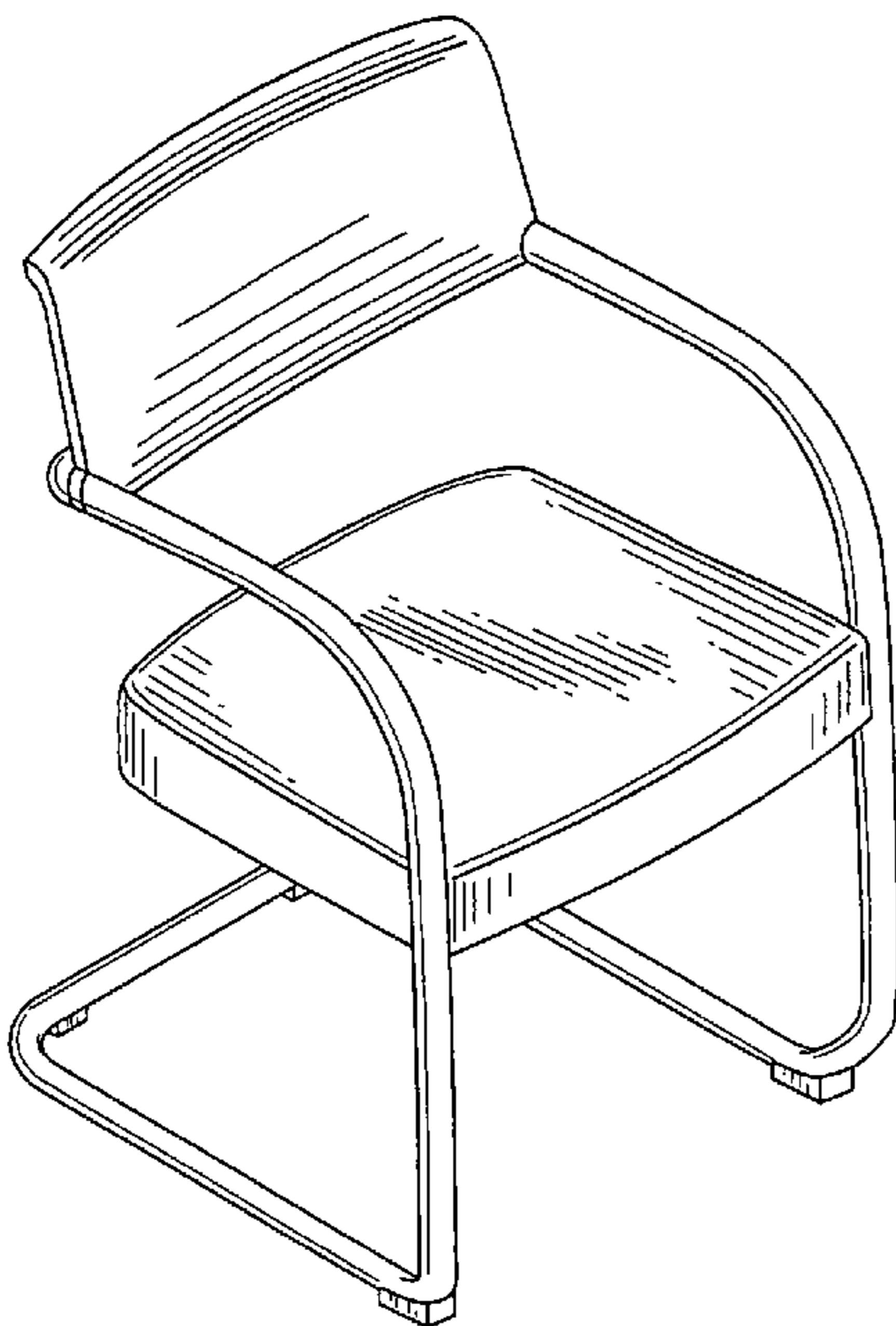
FIG. 5 is a bottom plan view thereof;

FIG. 6 is a left side elevational view thereof;

FIG. 7 is a right side elevational view thereof; and,

FIG. 8 is a rear, side perspective view thereof.

1 Claim, 4 Drawing Sheets



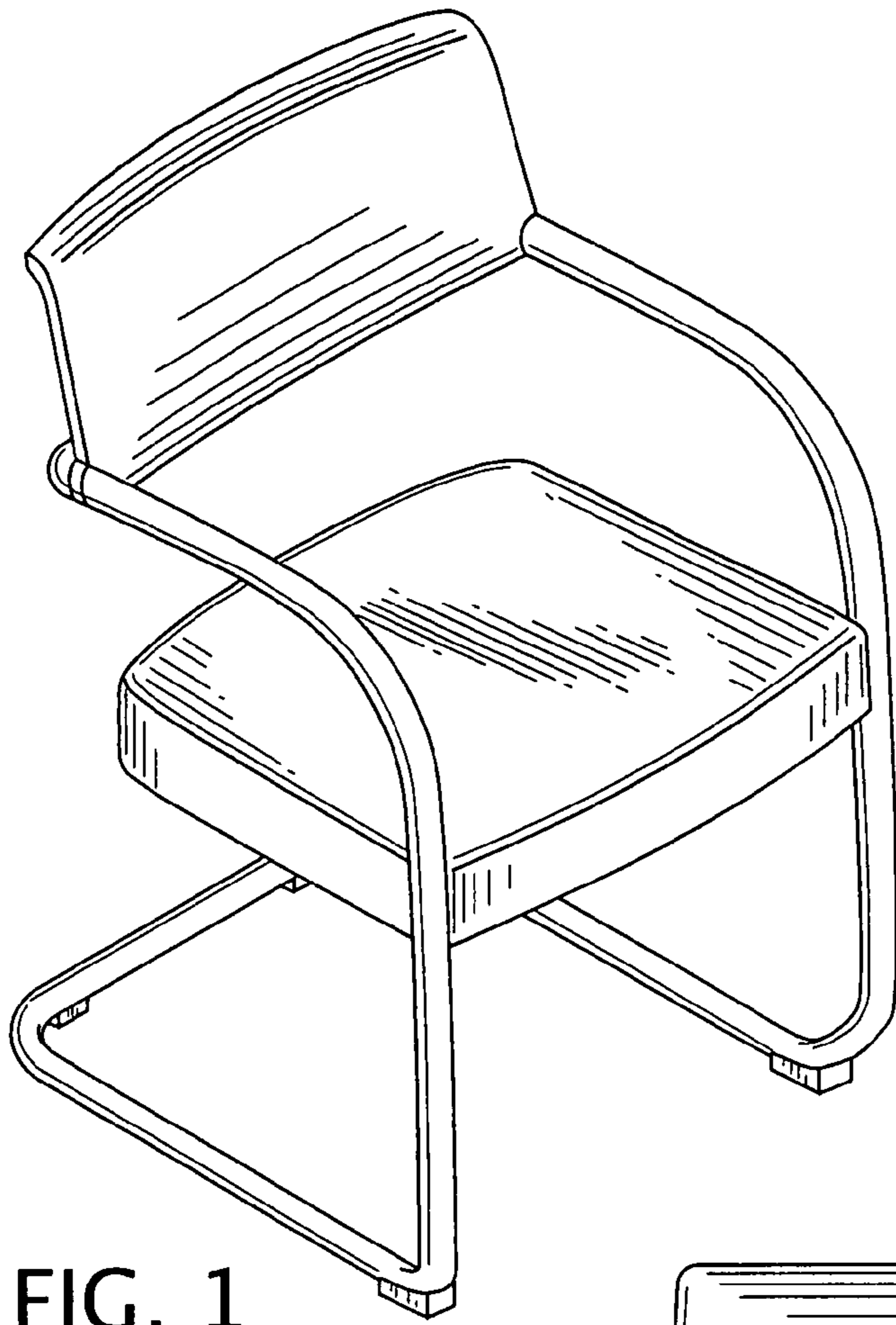


FIG. 1

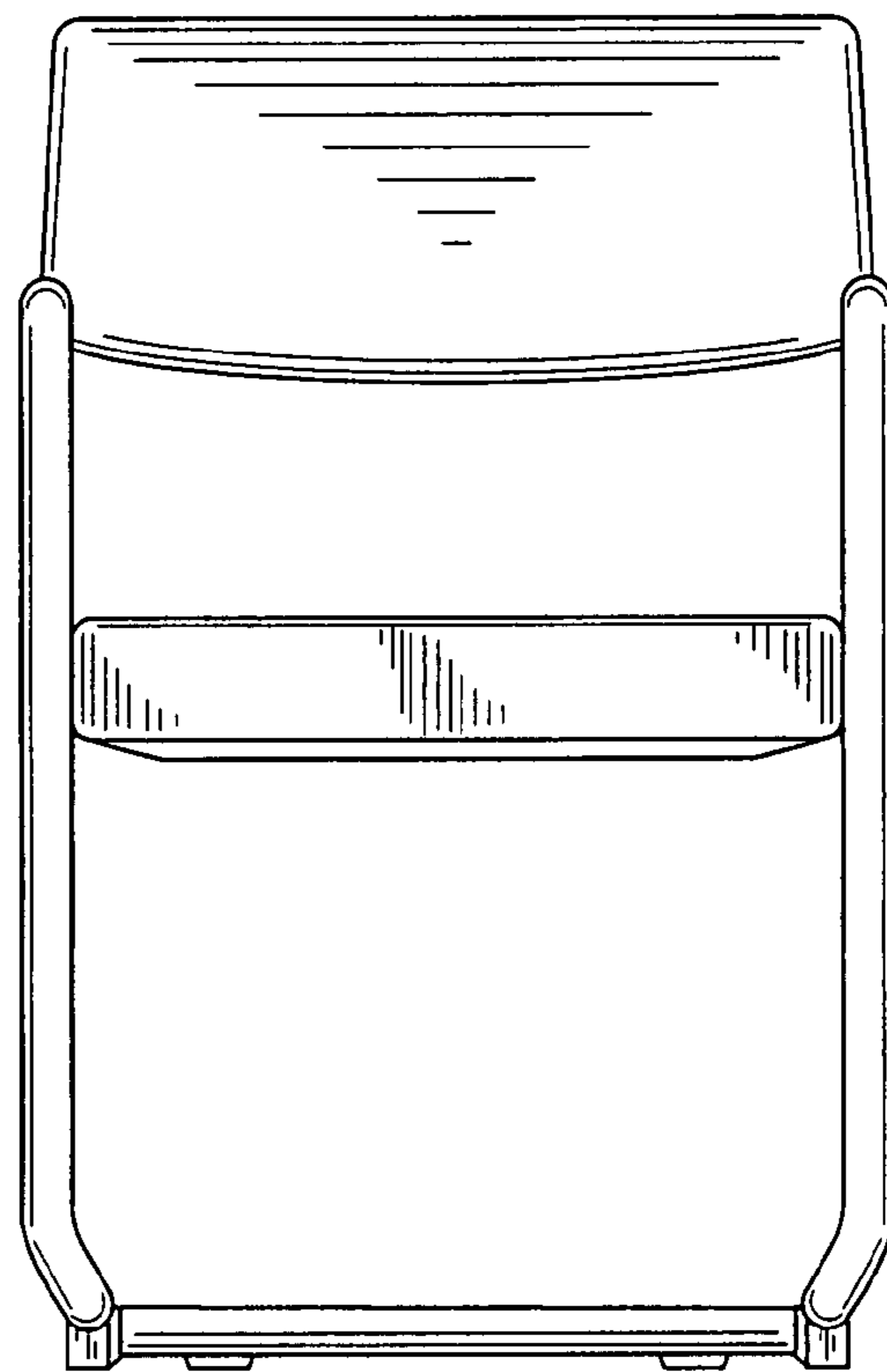


FIG. 2

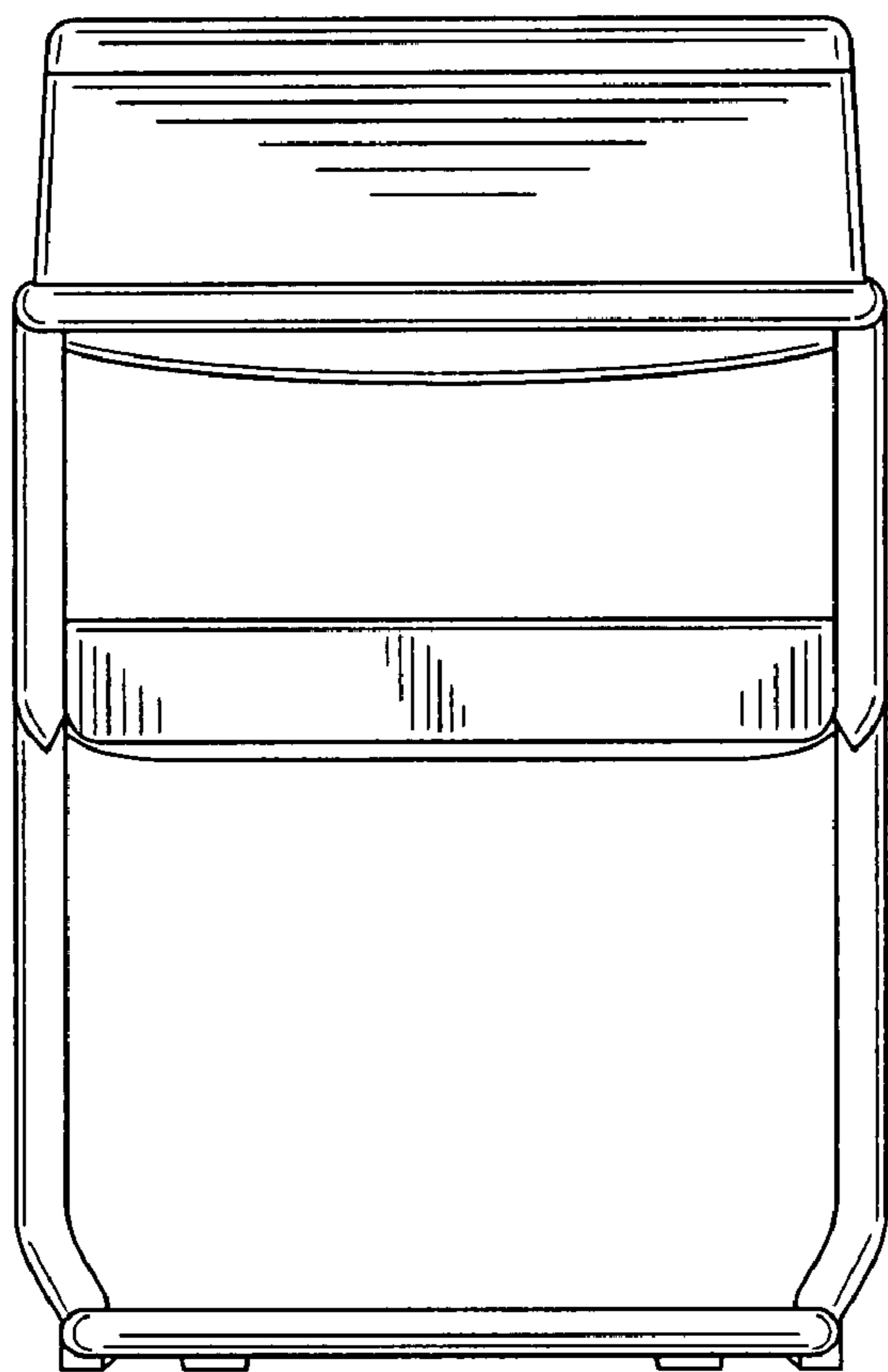


FIG. 3

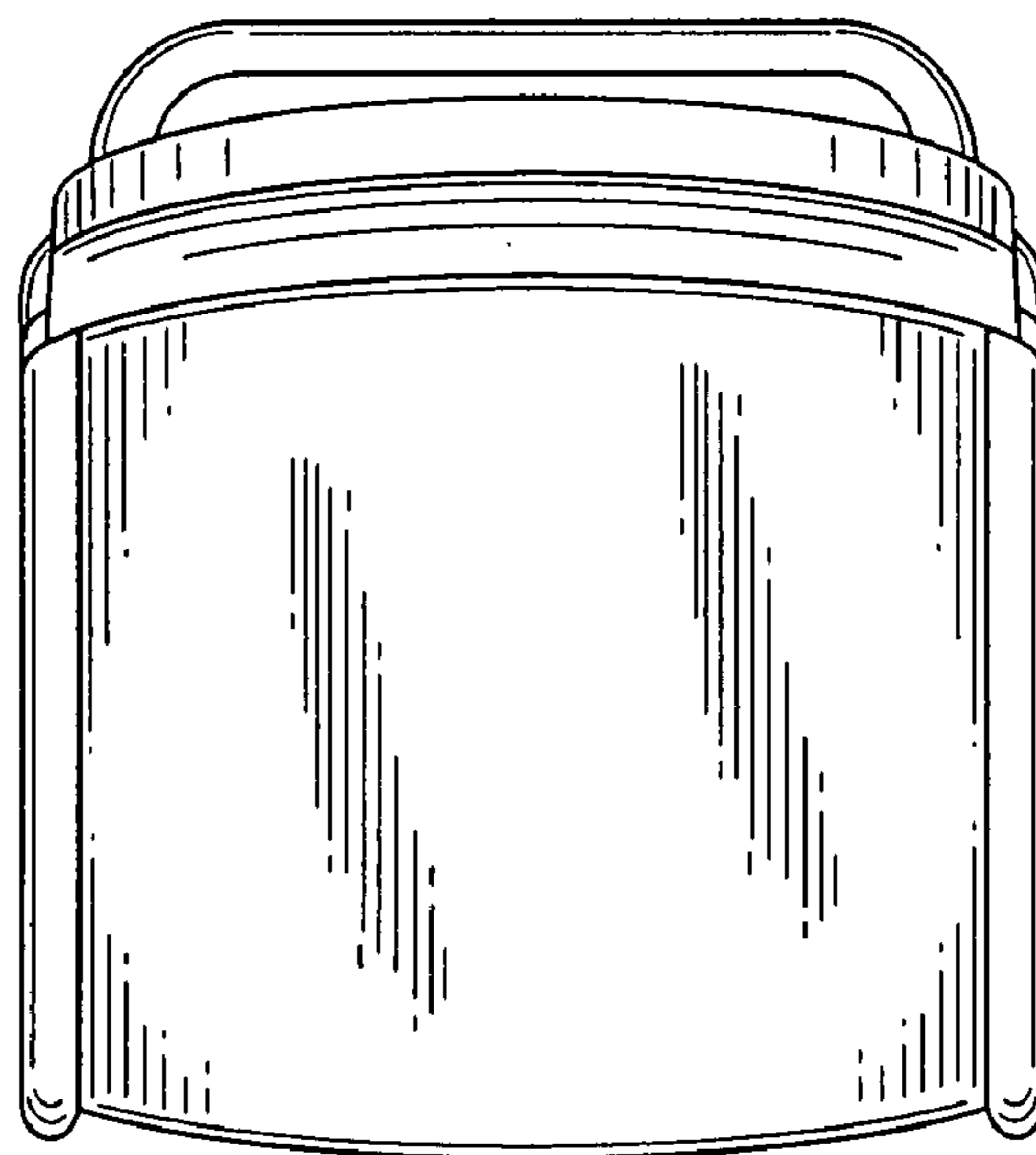


FIG. 4

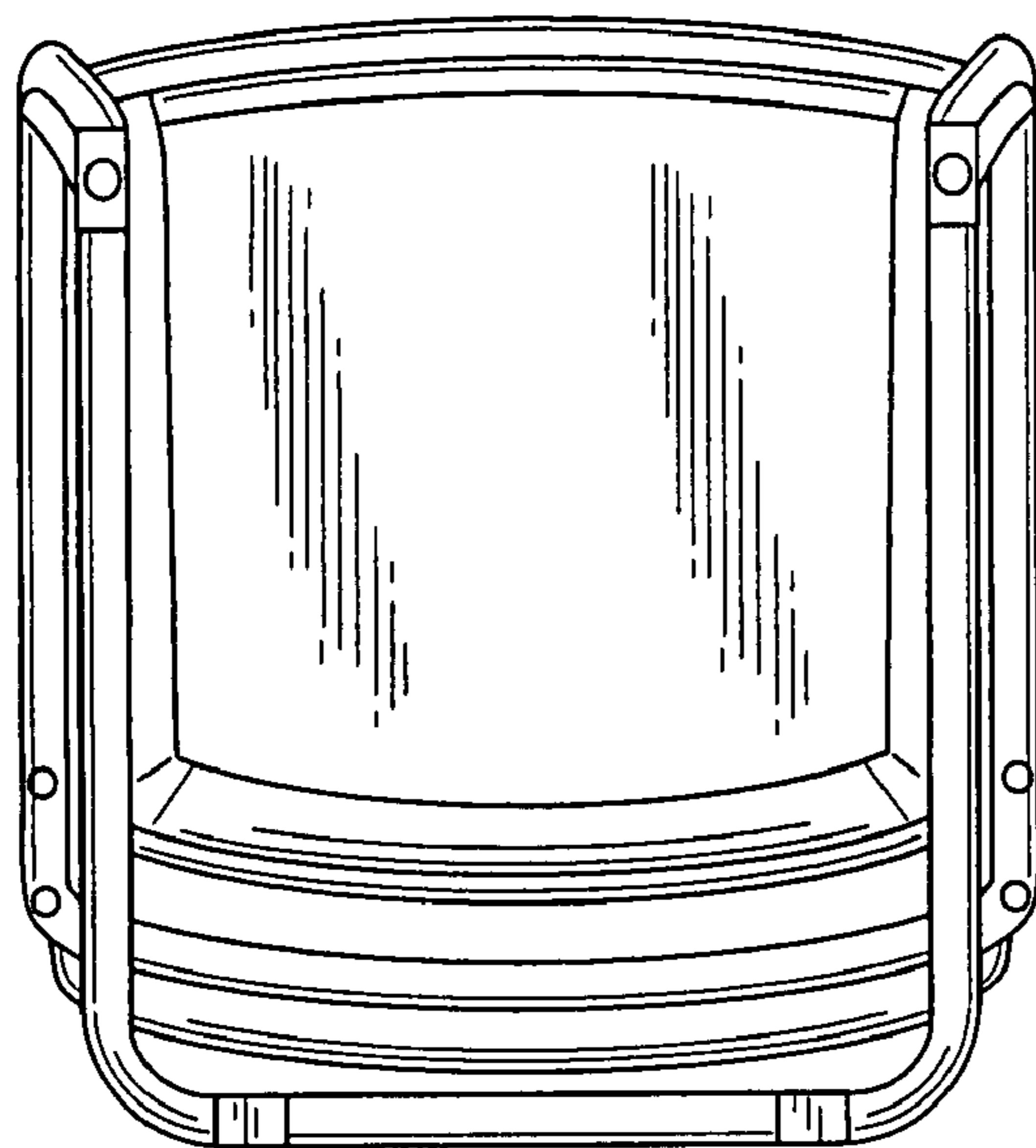


FIG. 5

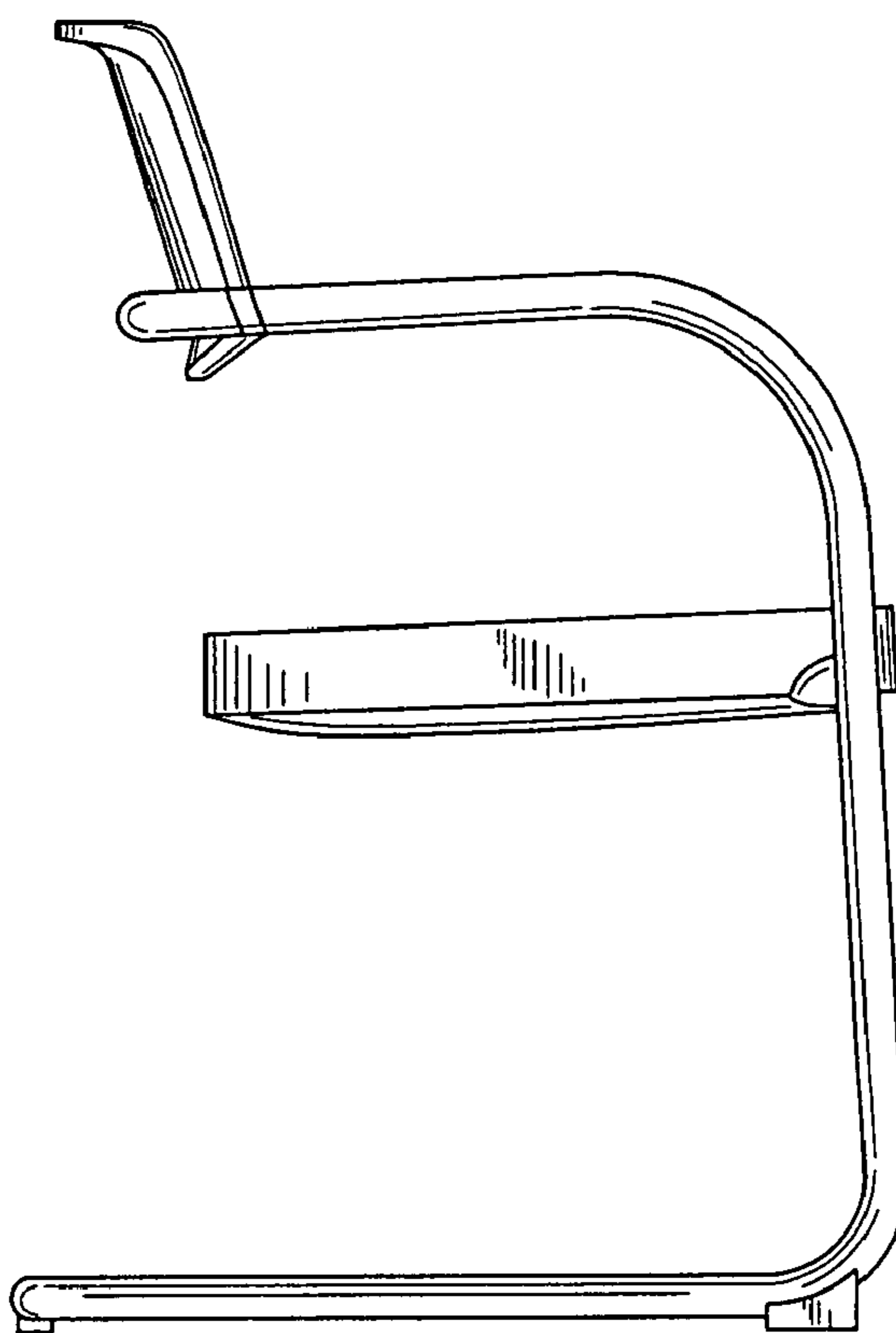


FIG. 6

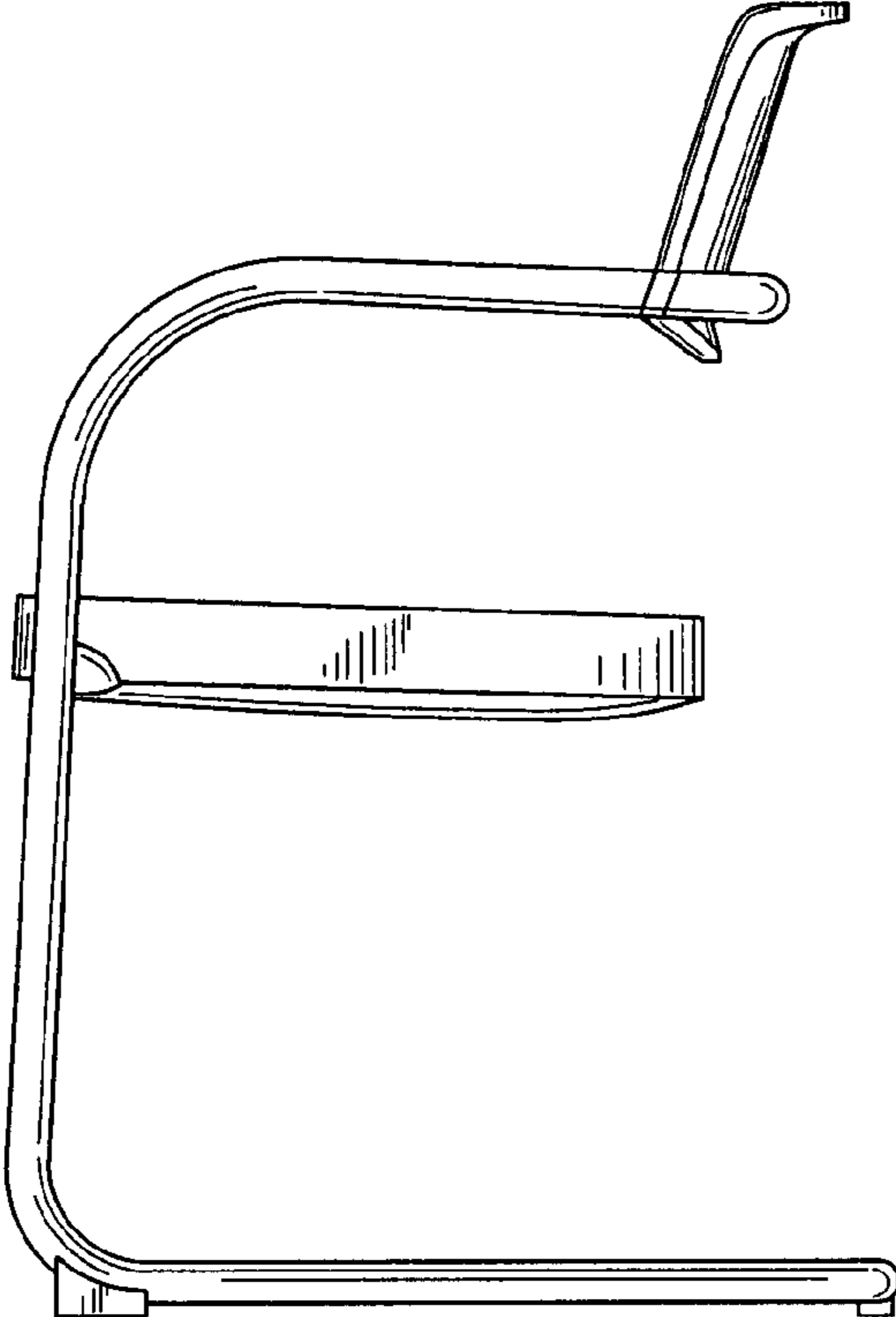


FIG. 7

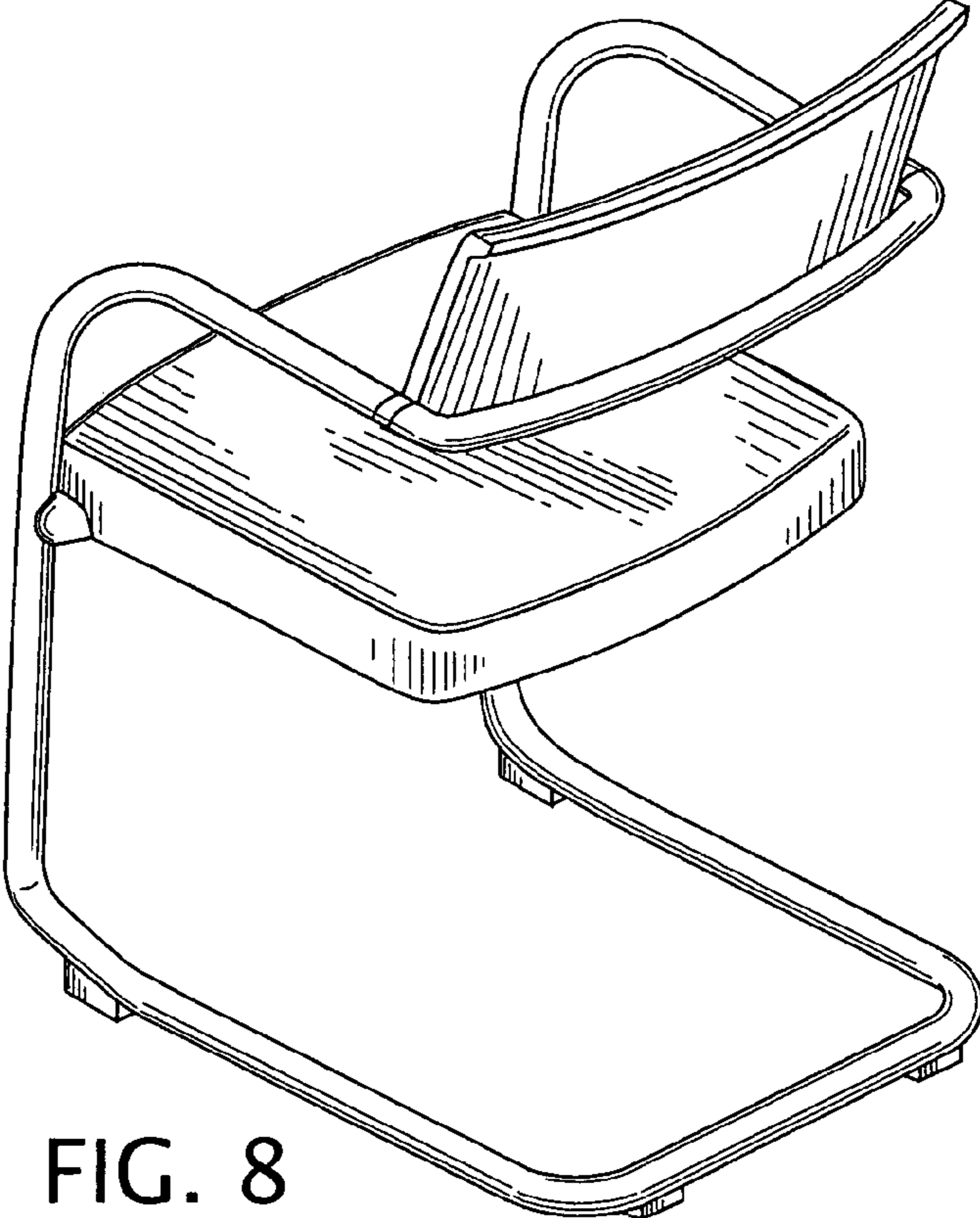


FIG. 8