



US00D572925S

(12) **United States Design Patent**  
**Carrere**

(10) **Patent No.:** **US D572,925 S**  
(45) **Date of Patent:** **\*\* Jul. 15, 2008**

(54) **DIRECTOR'S CHAIR**

(75) Inventor: **Eric Carrere**, Lyons (FR)

(73) Assignee: **Sifas Sarl** (FR)

(\*\*) Term: **14 Years**

(21) Appl. No.: **29/281,230**

(22) Filed: **Jun. 19, 2007**

(30) **Foreign Application Priority Data**

Dec. 19, 2006 (FR) ..... 06 5846

(51) **LOC (8) Cl.** ..... **06-01**

(52) **U.S. Cl.** ..... **D6/368**

(58) **Field of Classification Search** ..... D6/334-336,  
D6/367, 368, 371-373, 374, 376, 379, 380,  
D6/500-502; 297/36, 45, 53, 56, 445.1  
See application file for complete search history.

(56) **References Cited**

**U.S. PATENT DOCUMENTS**

1,703,879	A *	3/1929	Goldwyn	.....	297/36
1,799,029	A *	3/1931	Smith	.....	297/36
2,582,864	A *	1/1952	Gittings et al.	.....	297/36
D212,879	S *	12/1968	Jakobsen	.....	D6/373
3,498,668	A *	3/1970	Vanderminden	.....	297/45
3,711,151	A *	1/1973	Upton	.....	297/45
4,437,700	A *	3/1984	Elaschuk	.....	297/45

D358,040	S *	5/1995	Klein	.....	D6/373
D376,484	S *	12/1996	Gregory	.....	D6/368
D459,602	S *	7/2002	Kreiss	.....	D6/368
D464,820	S *	10/2002	Kreiss	.....	D6/368
D514,834	S *	2/2006	O'Hare	.....	D6/368

\* cited by examiner

*Primary Examiner*—Mimosa De

(74) *Attorney, Agent, or Firm*—Pepper Hamilton LLP

(57) **CLAIM**

I claim the ornamental design for a director's chair, as shown and described.

**DESCRIPTION**

FIG. 1 is a perspective view of a director's chair showing my new design;

FIG. 2 is a front view thereof;

FIG. 3 is a rear view thereof;

FIG. 4 is a left side view thereof;

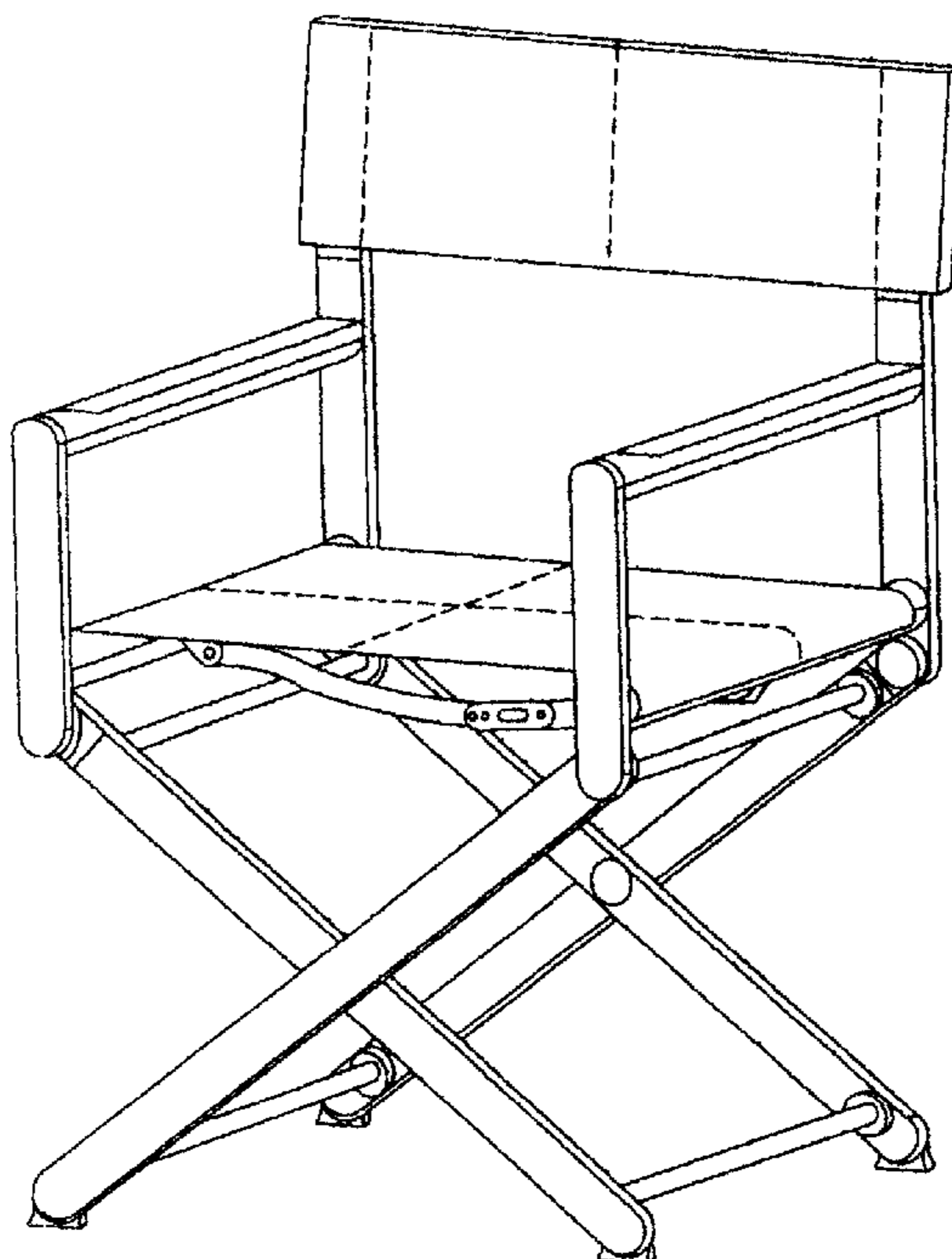
FIG. 5 is a right side view thereof;

FIG. 6 is a top view thereof; and,

FIG. 7 is a bottom view thereof.

The broken lines shown in FIGS. 1-3 and FIG. 6 depict an environment for illustrative purposes only and form not part of the claimed design.

**1 Claim, 7 Drawing Sheets**



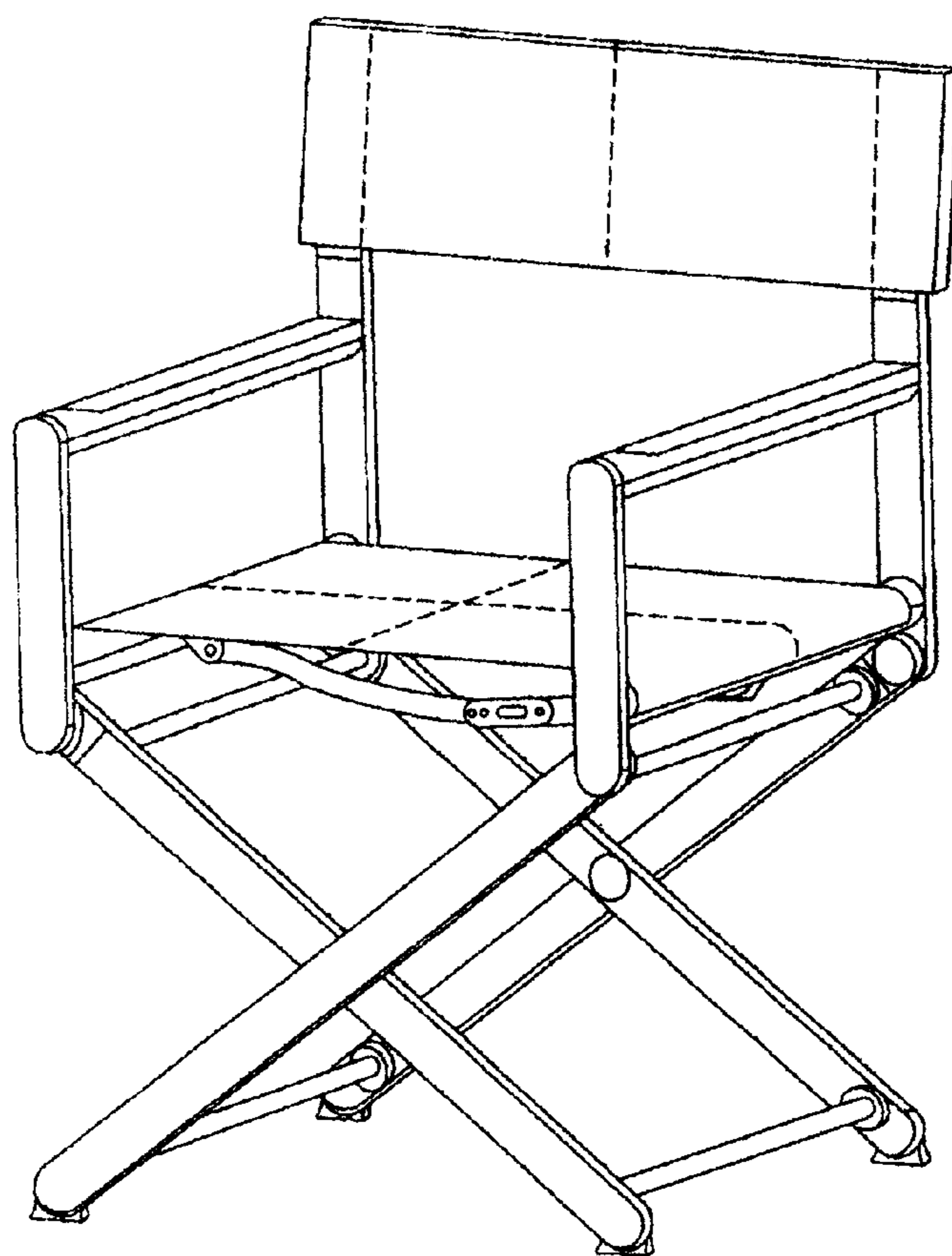


FIG. 1

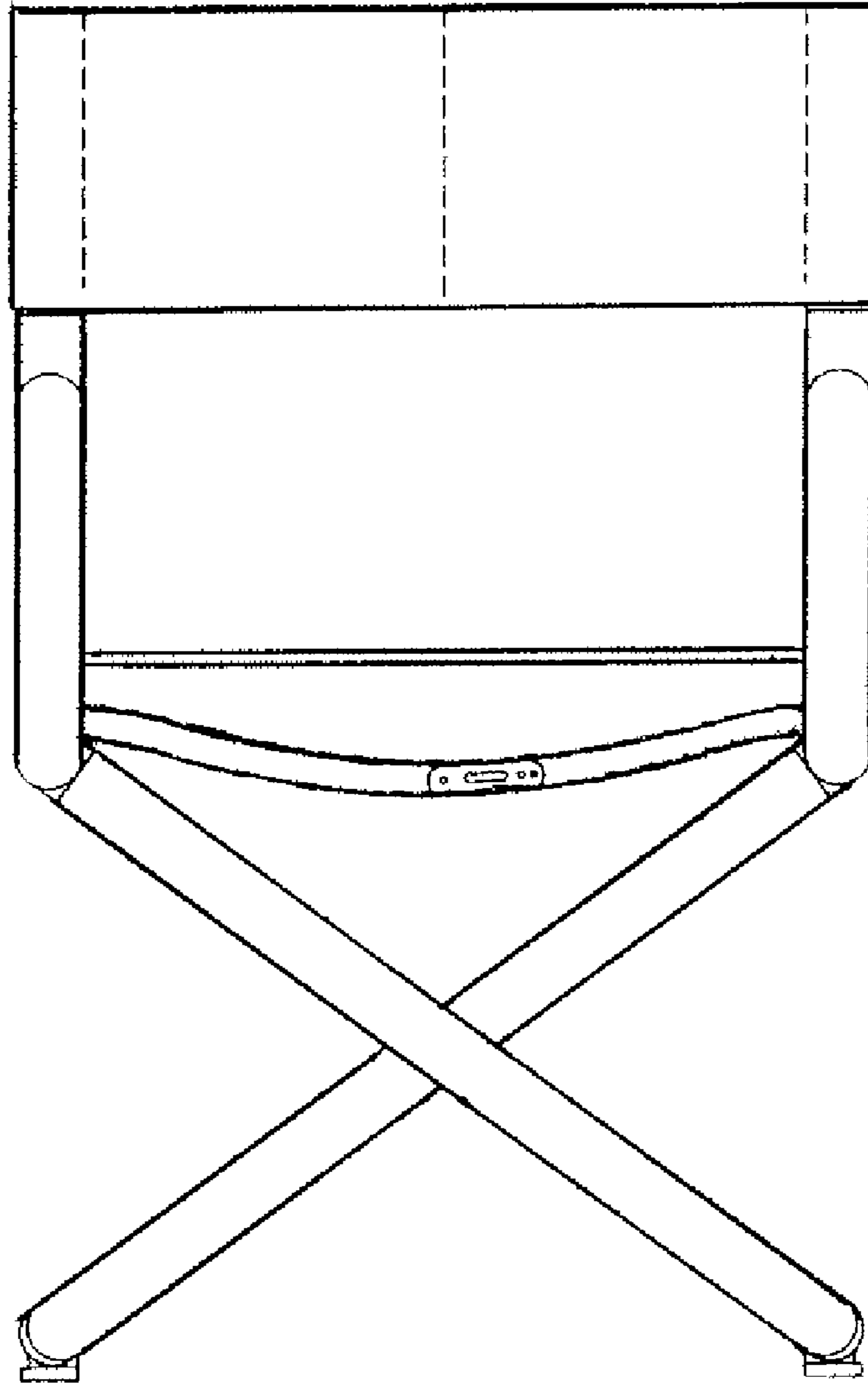


FIG. 2

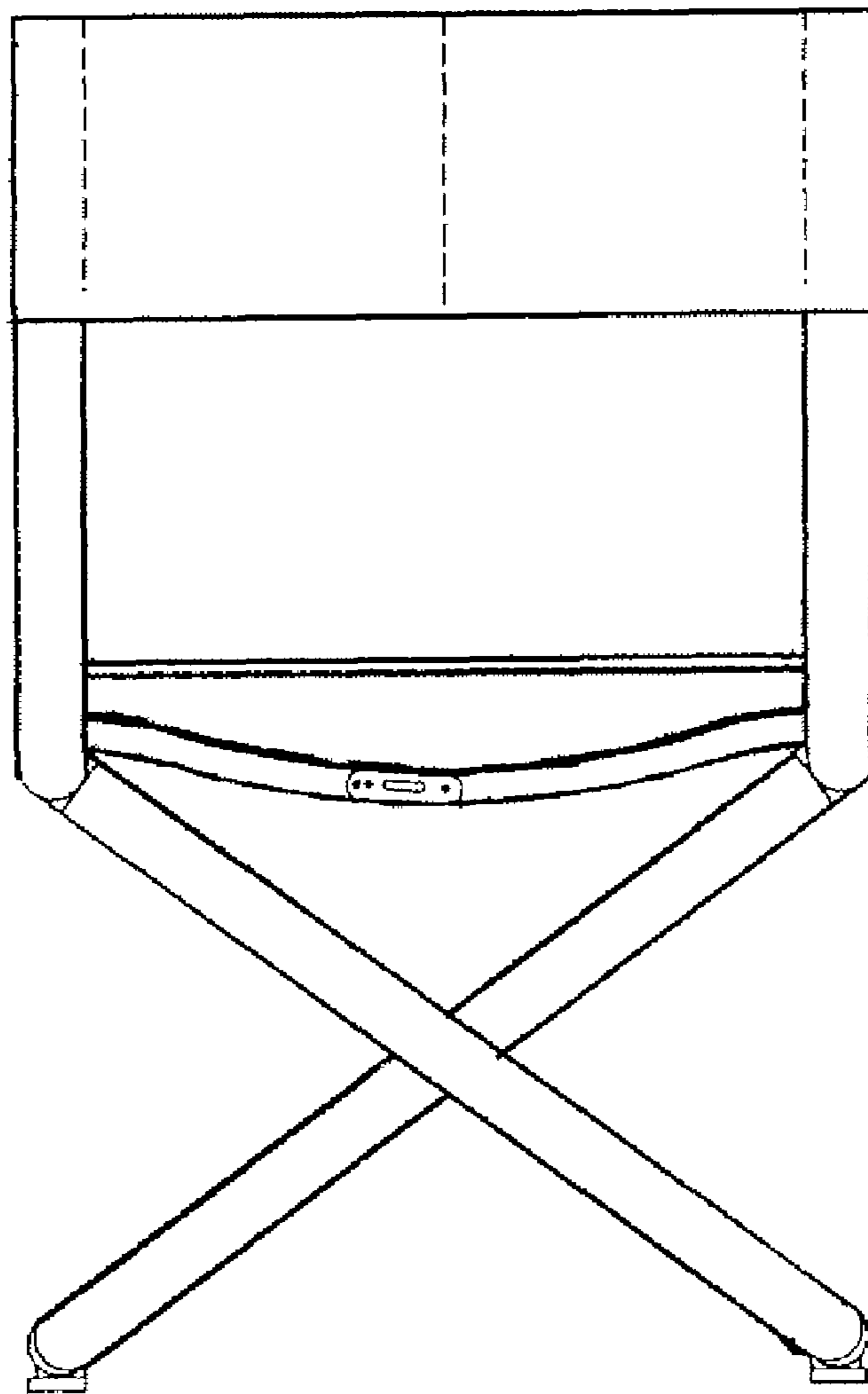


FIG. 3

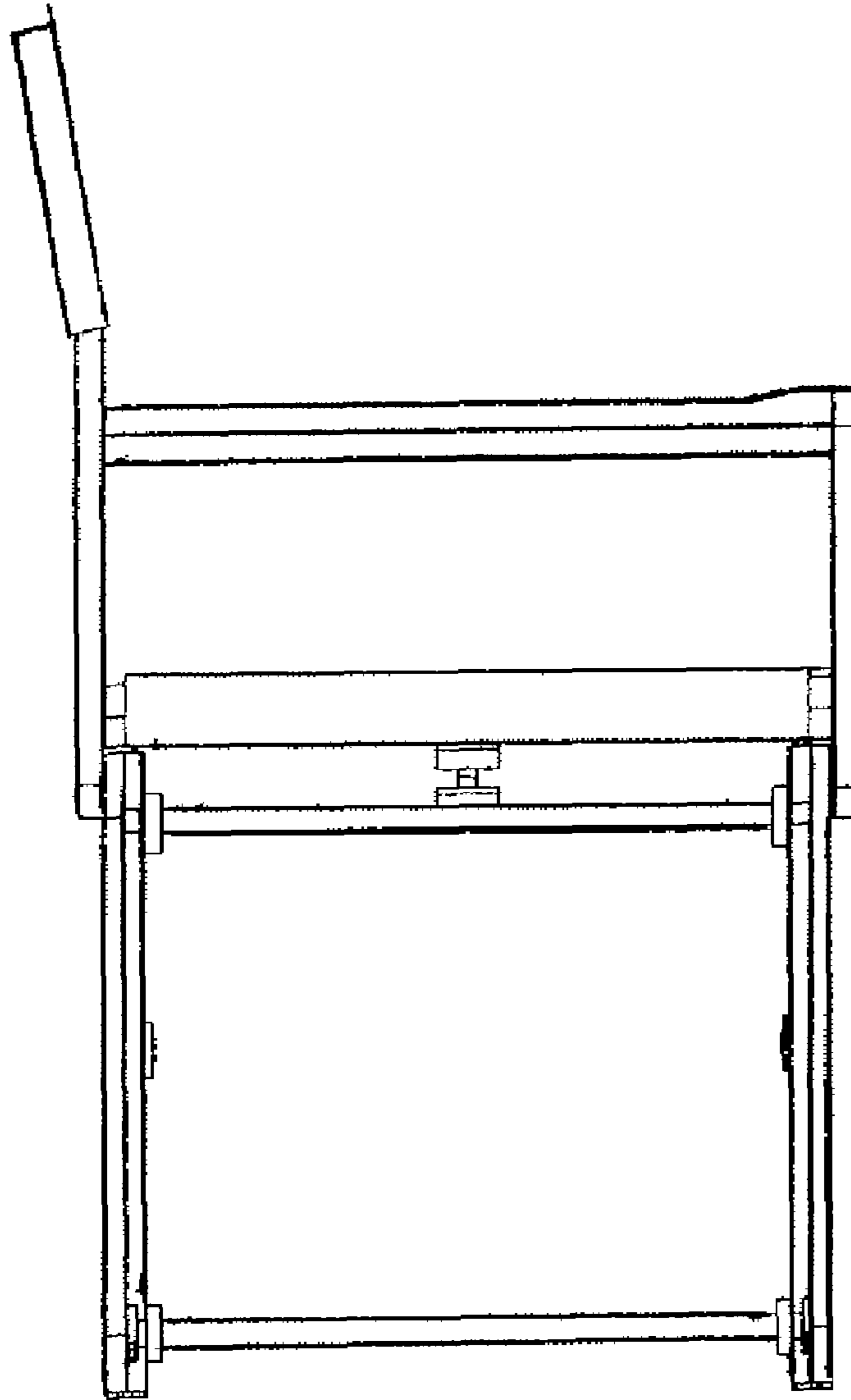


FIG. 4

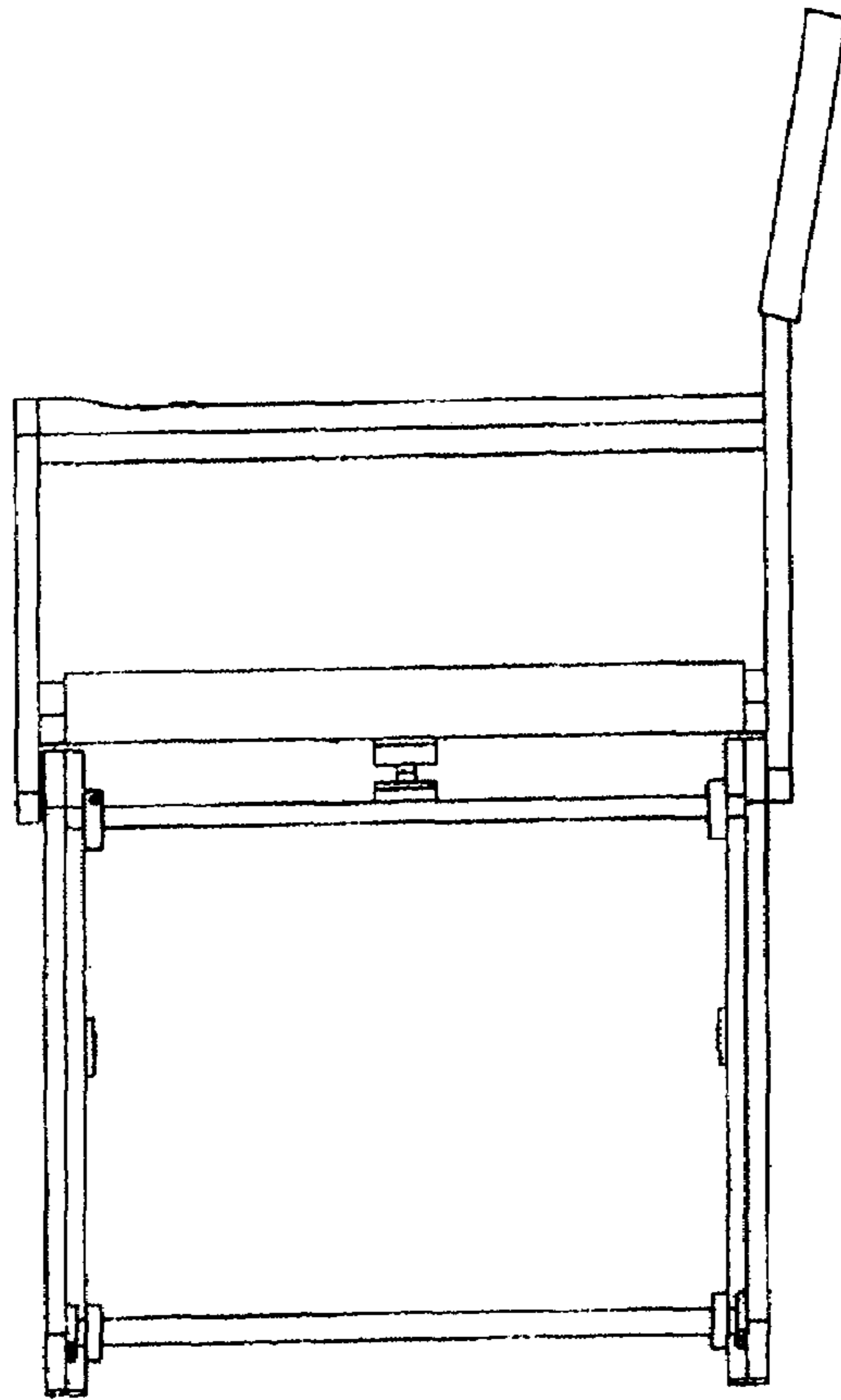


FIG. 5

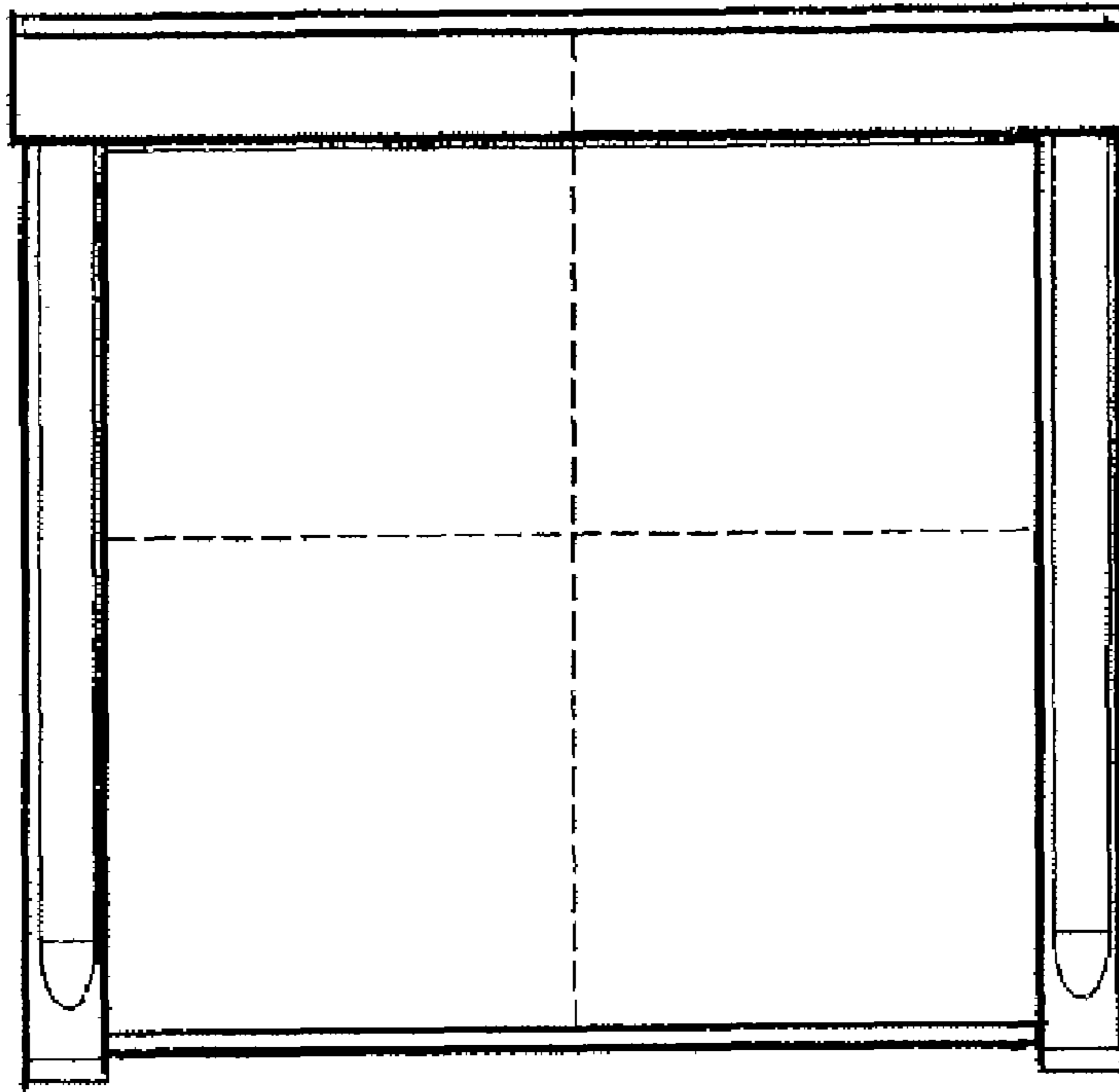


FIG. 6

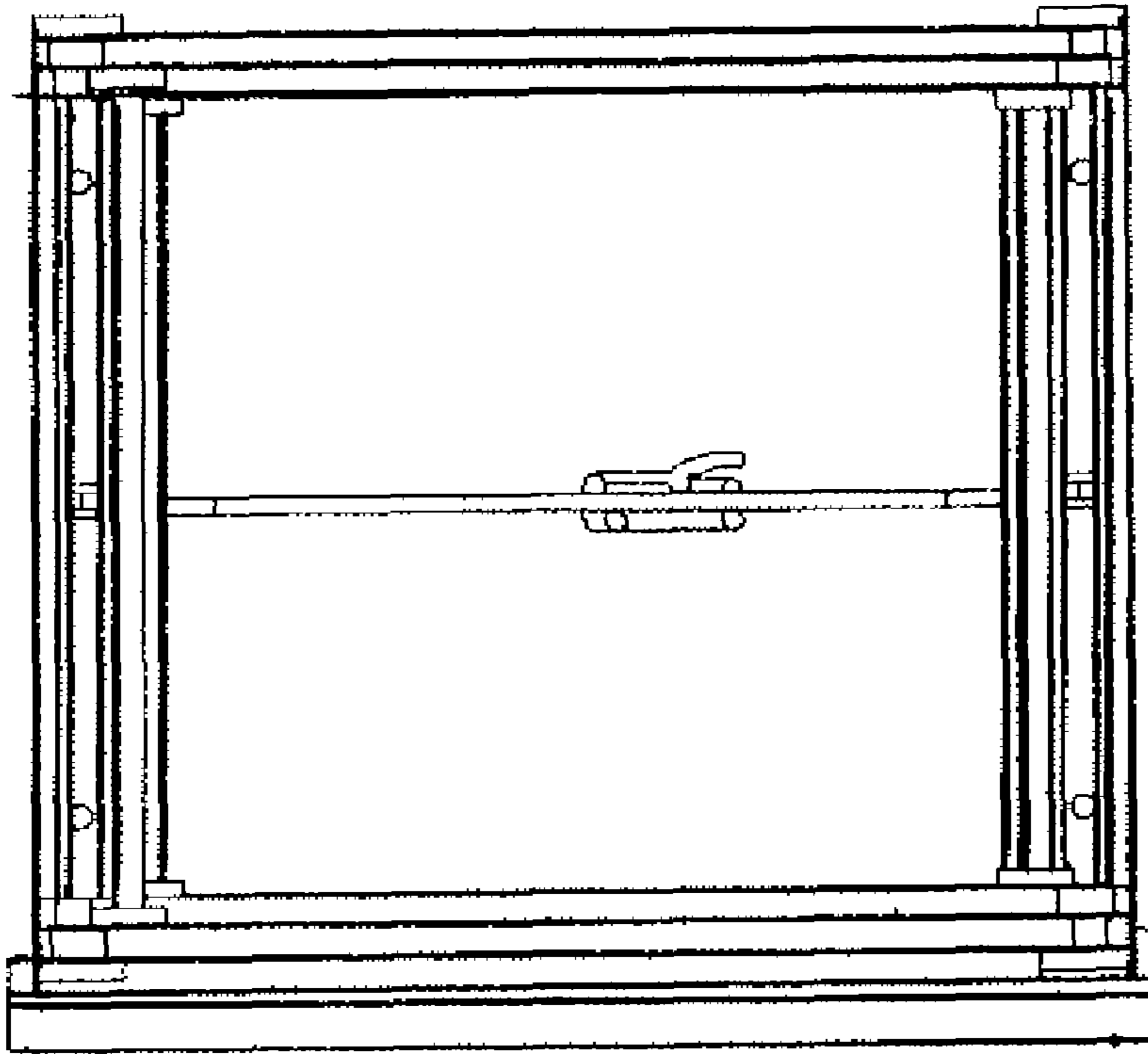


FIG. 7