



US00D572924S

(12) **United States Design Patent**
Huang

(10) **Patent No.:** **US D572,924 S**
(45) **Date of Patent:** **** Jul. 15, 2008**

(54) **CHAIR**

(76) Inventor: **William W. Huang**, 5353 Jillson St.,
Commerce, CA (US) 90040

(**) Term: **14 Years**

(21) Appl. No.: **29/304,571**

(22) Filed: **Mar. 4, 2008**

(51) **LOC (8) Cl.** **06-01**

(52) **U.S. Cl.** **D6/366**

(58) **Field of Classification Search** D6/334–336,
D6/356, 364, 365, 366, 367, 368, 374, 379,
D6/498, 500–502; 297/411.27, 411.28, 452.21,
297/452.29, 452.24, 452.26, 452.32, 452.37,
297/452.48

See application file for complete search history.

(56) **References Cited**

U.S. PATENT DOCUMENTS

D531,434 S * 11/2006 True D6/500
D531,435 S * 11/2006 Egger D6/500
D536,555 S * 2/2007 Egger D6/366

D542,548 S * 5/2007 Yang D6/366
D550,001 S * 9/2007 Mazzera D6/501
D566,437 S * 4/2008 Egger D6/500

* cited by examiner

Primary Examiner—Mimosa De
(74) *Attorney, Agent, or Firm*—Jen-Feng Lee, Esq.

(57) **CLAIM**

I claim the ornamental design for a chair, as shown and described.

DESCRIPTION

FIG. 1 shows the perspective view of a chair showing my new design,

FIG. 2 shows the front view thereof,

FIG. 3 shows the left side view thereof,

FIG. 4 shows the right side view thereof,

FIG. 5 shows the rear view thereof; and,

FIG. 6 shows the top plan view thereof.

1 Claim, 6 Drawing Sheets





Figure 1

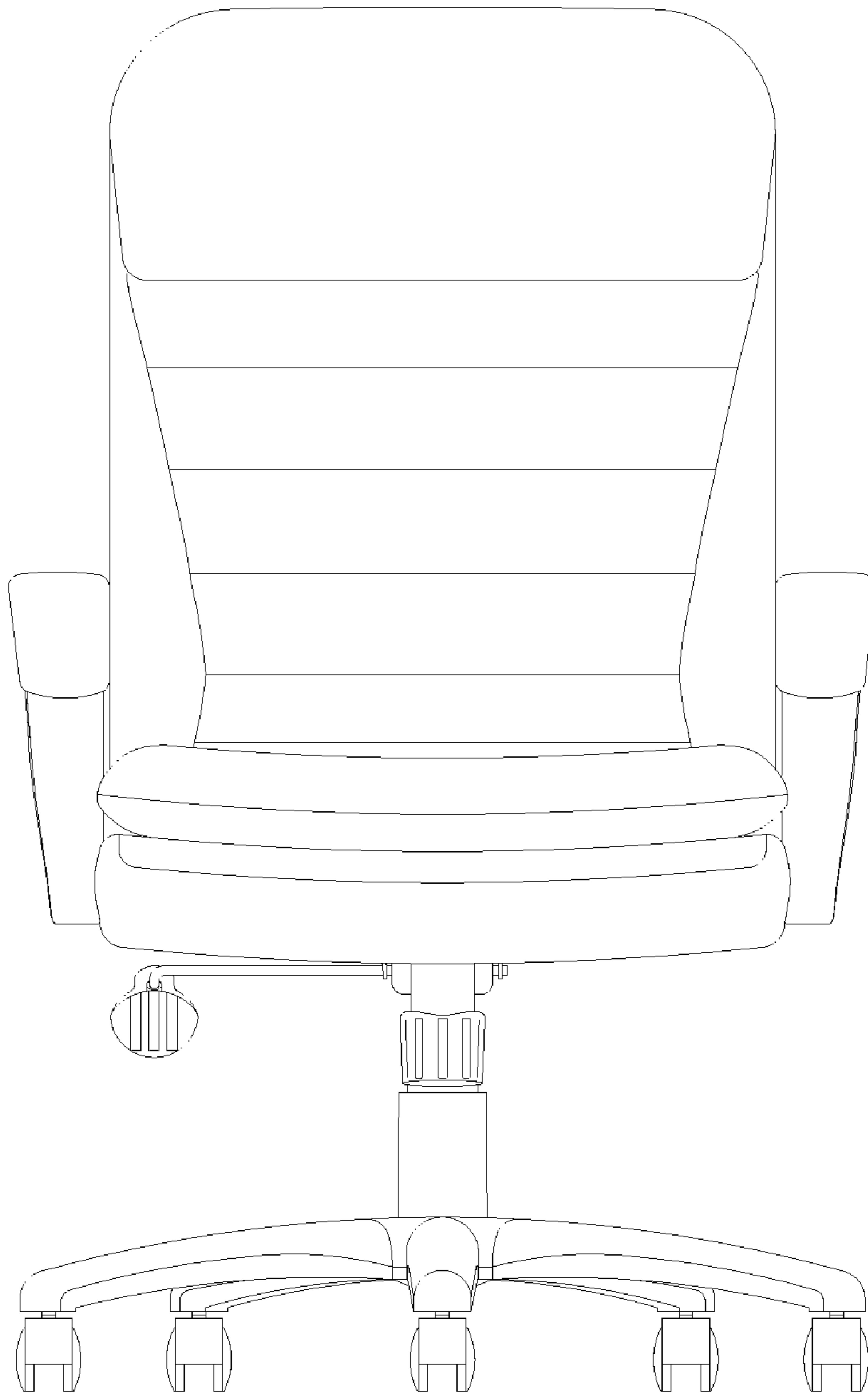


Figure 2

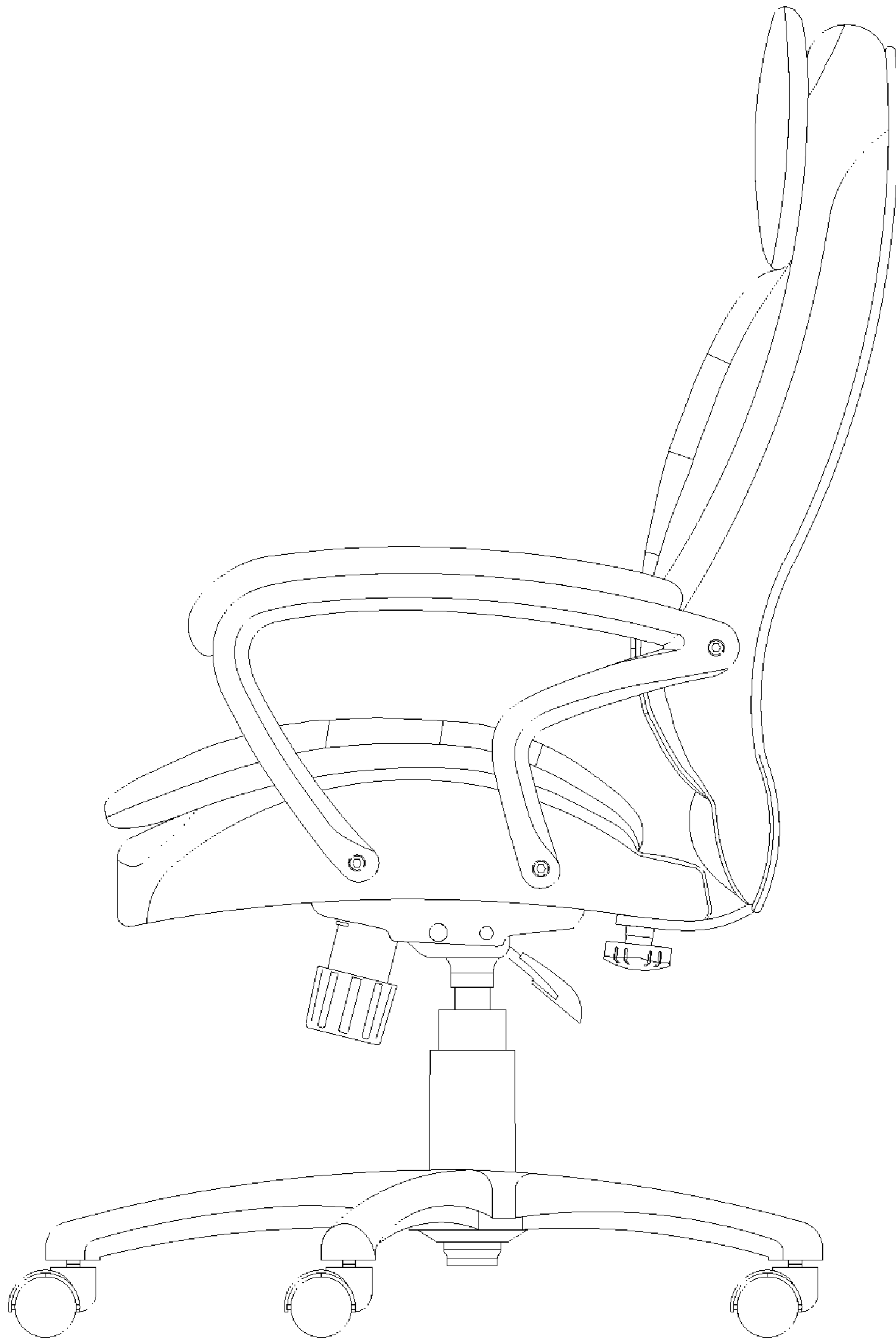


Figure 3

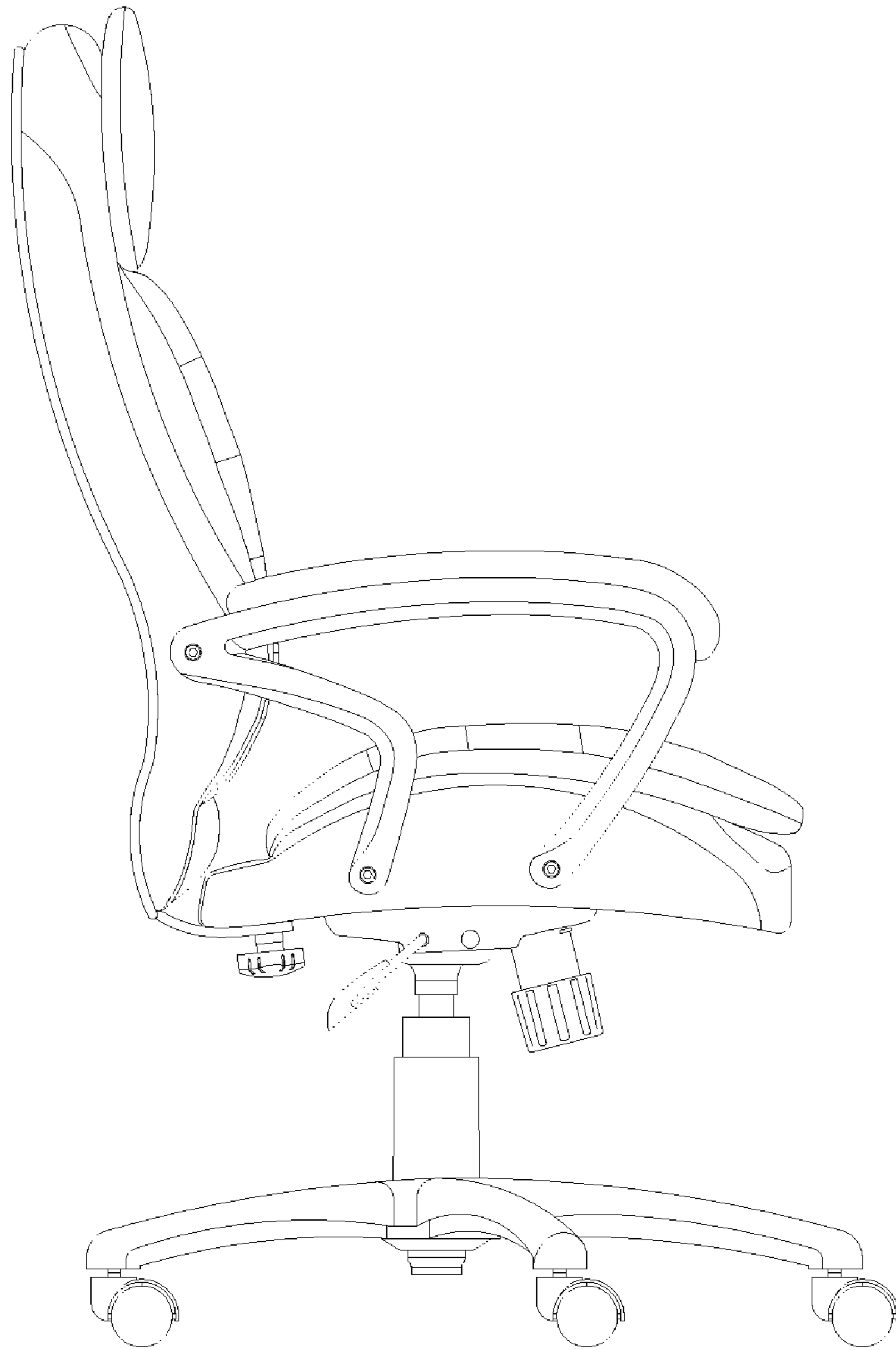


Figure 4

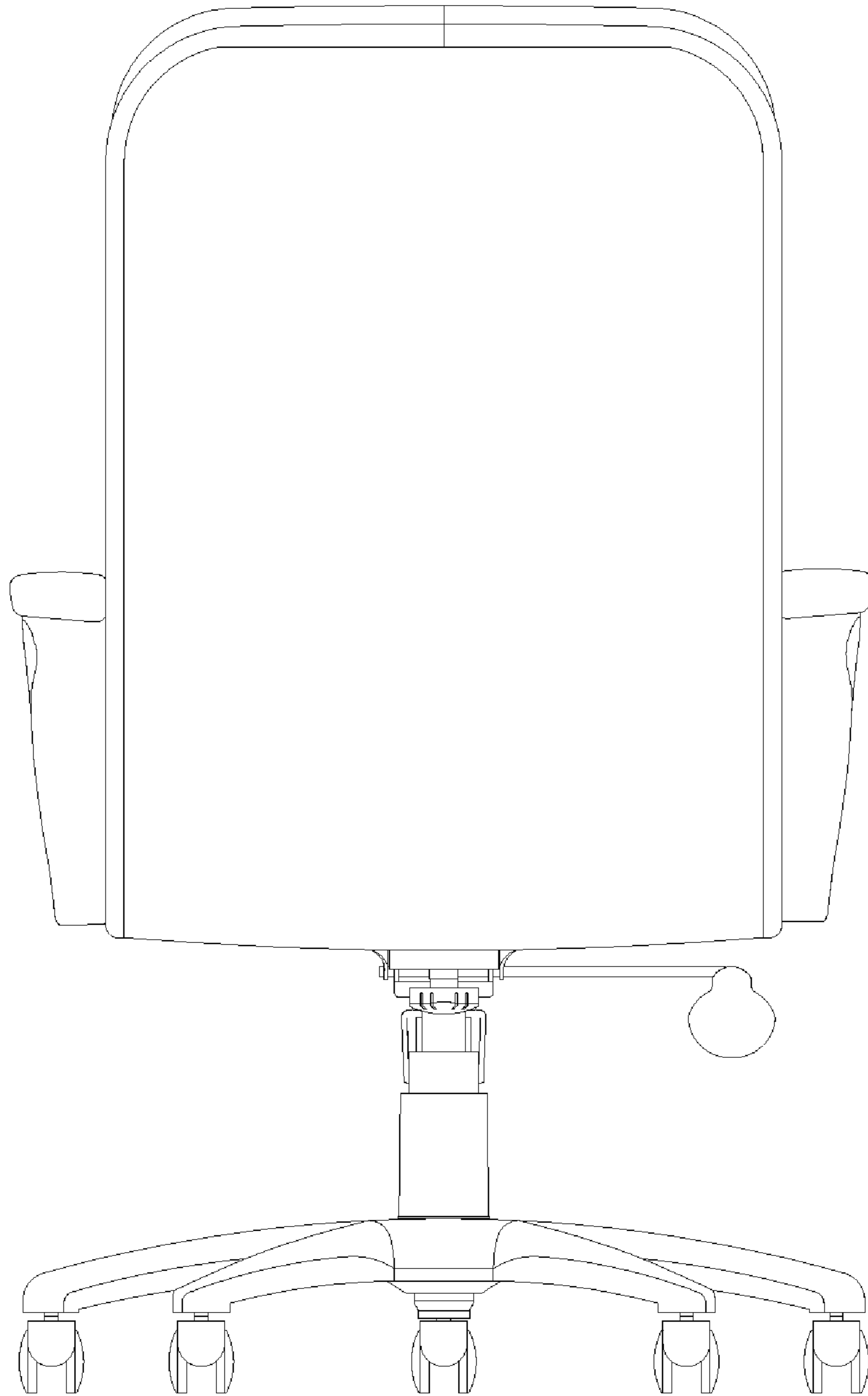


Figure 5

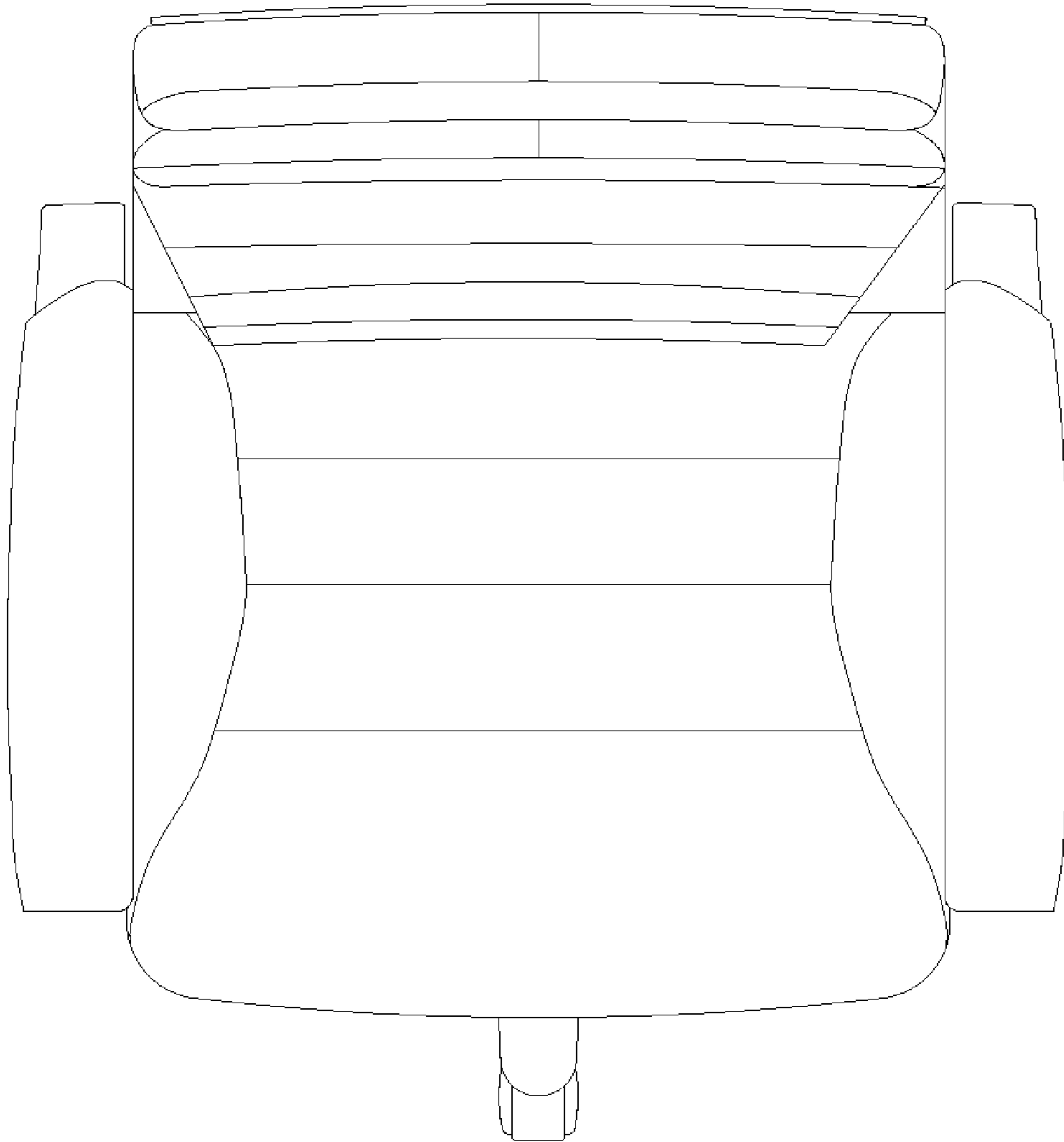


Figure 6