



US00D572916S

(12) **United States Design Patent**
Galardo et al.

(10) **Patent No.:** **US D572,916 S**
(45) **Date of Patent:** **** Jul. 15, 2008**

(54) **RECLINER**

(75) Inventors: **Michael F Galardo**, Los Angeles, CA
(US); **John Contreras**, Redondo Beach,
CA (US)

(73) Assignee: **Elite Leather Company**, Chino, CA
(US)

(**) Term: **14 Years**

(21) Appl. No.: **29/296,085**

(22) Filed: **Oct. 12, 2007**

(51) **LOC (8) Cl.** **06-01**

(52) **U.S. Cl.** **D6/334; D6/381**

(58) **Field of Classification Search** D6/334,
D6/335, 341, 353, 360, 364, 367, 369, 371,
D6/376, 377, 379-381, 500-502; 297/445.1,
297/446.1; 5/12.1

See application file for complete search history.

(56) **References Cited**

U.S. PATENT DOCUMENTS

1,028,548	A	6/1912	Cromer	
D158,857	S *	6/1950	Wallance	D16/341
D173,706	S	12/1954	Maurer	
2,781,823	A *	2/1957	Knabusch et al.	297/85
2,895,538	A	7/1959	Lorenz	
3,433,527	A	3/1969	Re	
D239,900	S *	5/1976	Long	D6/334
D263,770	S *	4/1982	Melchior	D6/334
4,410,213	A	10/1983	Samson	
D276,670	S	12/1984	Tornero et al.	
4,669,778	A	6/1987	Rogers, Jr.	
5,090,768	A *	2/1992	Re et al.	297/85
5,106,153	A	4/1992	Durling	
5,169,208	A	12/1992	Re et al.	
5,314,234	A	5/1994	England	
D351,509	S	10/1994	Goldberg	
5,474,359	A	12/1995	Muffi	
5,480,213	A	1/1996	Sproule	

D395,960	S *	7/1998	Smith	D6/360
D395,961	S *	7/1998	Smith	D6/360
5,775,775	A	7/1998	Hoffman	
5,848,821	A	12/1998	Kirby	
6,168,232	B1	1/2001	May	
D456,621	S	5/2002	Antunes et al.	
D477,152	S *	7/2003	Levy	D6/381
D489,188	S *	5/2004	Ricci	D6/334
D495,153	S *	8/2004	Ricci	D6/334
D499,261	S *	12/2004	Ricci	D6/381
D515,333	S *	2/2006	Natuzzi	D6/381
D515,334	S *	2/2006	Natuzzi	D6/381
D534,734	S	1/2007	Bernett	
D541,064	S	4/2007	Miller et al.	
D541,074	S *	4/2007	Natuzzi	D6/381

* cited by examiner

Primary Examiner—Sandra Snapp

(74) *Attorney, Agent, or Firm*—Gordon & Rees LLP

(57) **CLAIM**

The ornamental design for a recliner, as shown and described.

DESCRIPTION

FIG. 1 is a front perspective view of a recliner, shown in an unreclined position.

FIG. 2 is a front perspective view of a recliner, shown in a reclined position.

FIG. 3 is a front elevation view of a recliner, shown in an unreclined position.

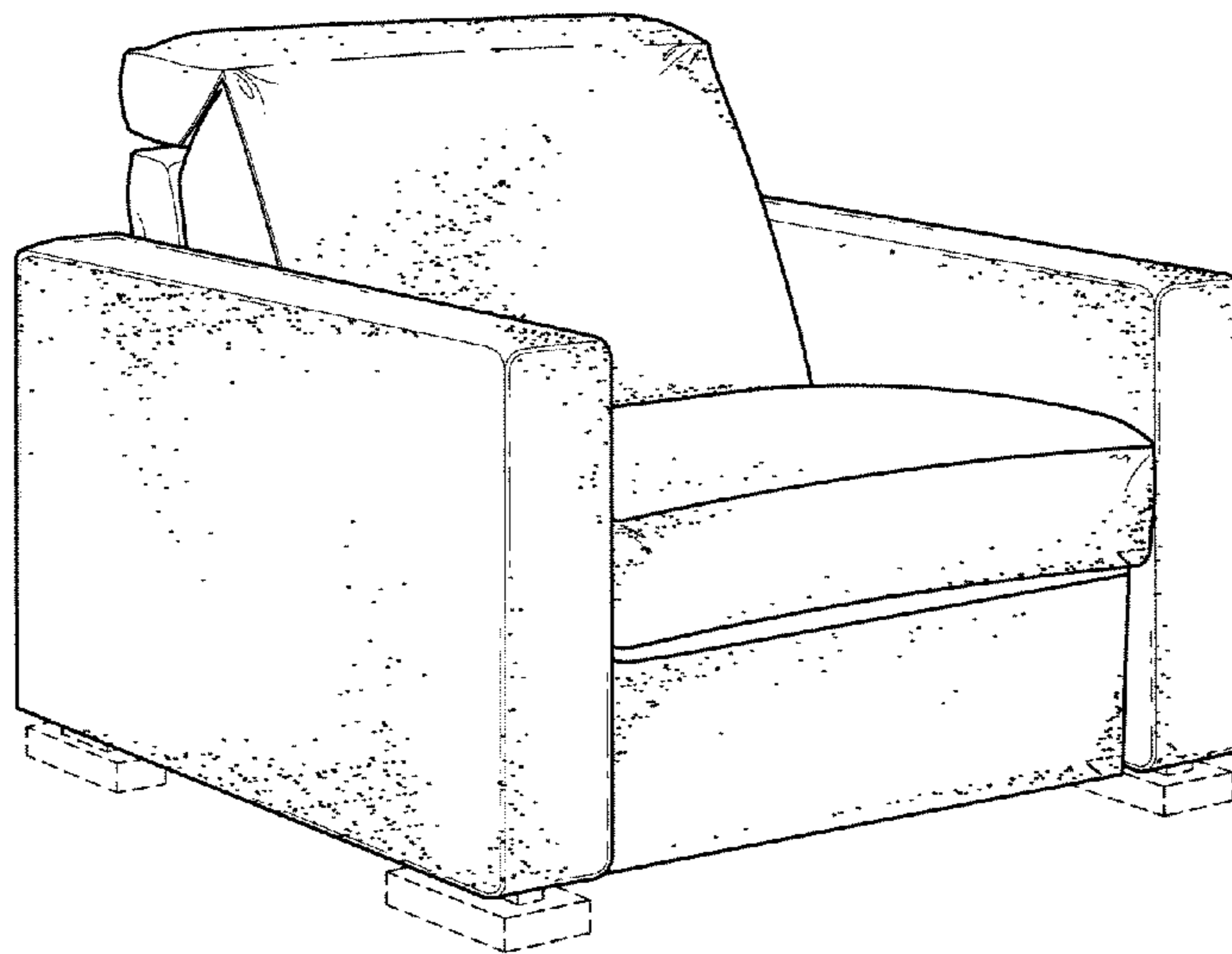
FIG. 4 is a side elevation view of a recliner, shown in an unreclined position.

FIG. 5 is a front perspective view of a recliner, shown in an unreclined position with an optional middle section; and,

FIG. 6 is a front perspective view of a recliner, shown in a reclined position with an optional middle section.

The features in dotted lines are shown for illustration purposes only and form no part of the claimed design.

1 Claim, 6 Drawing Sheets



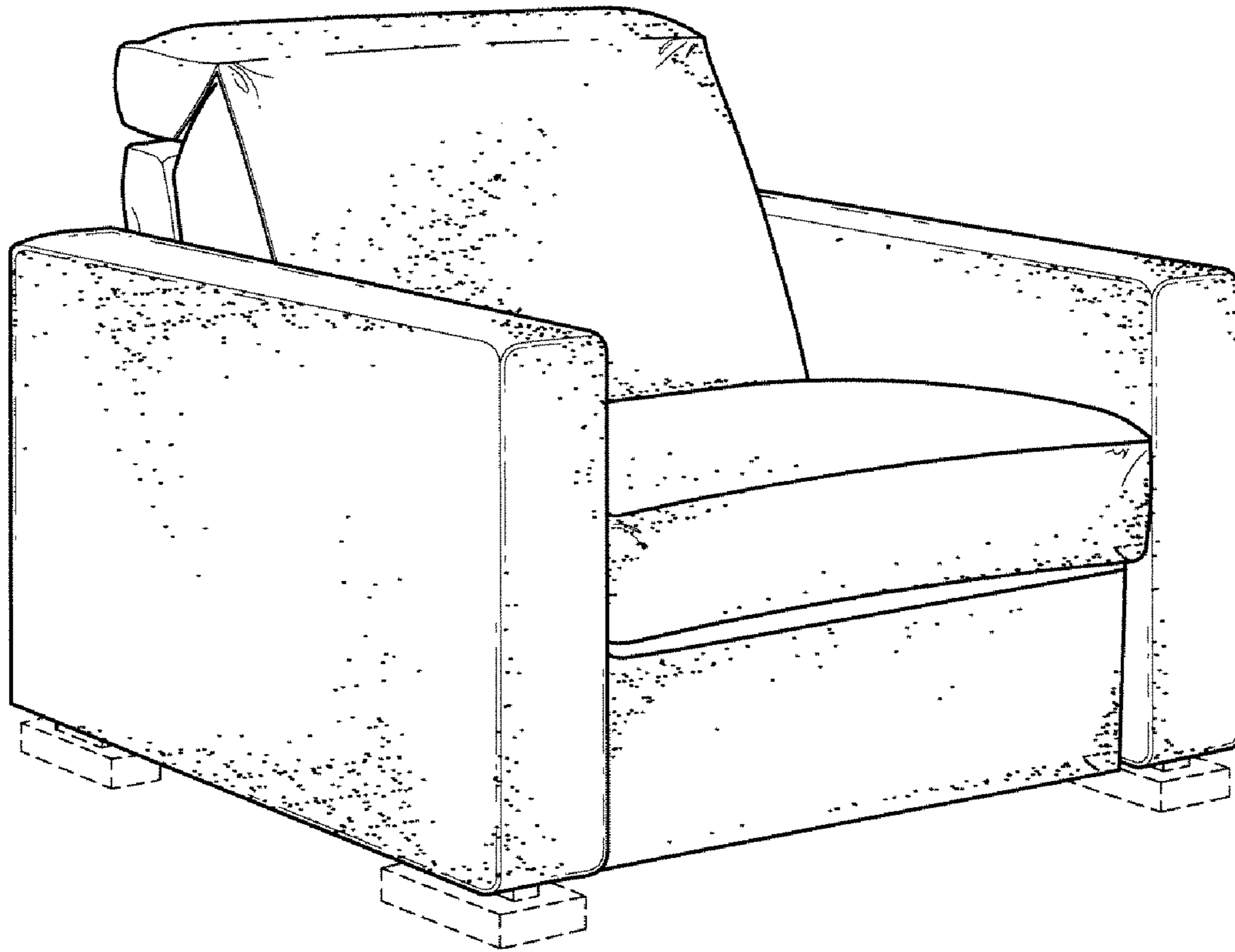


FIG. 1

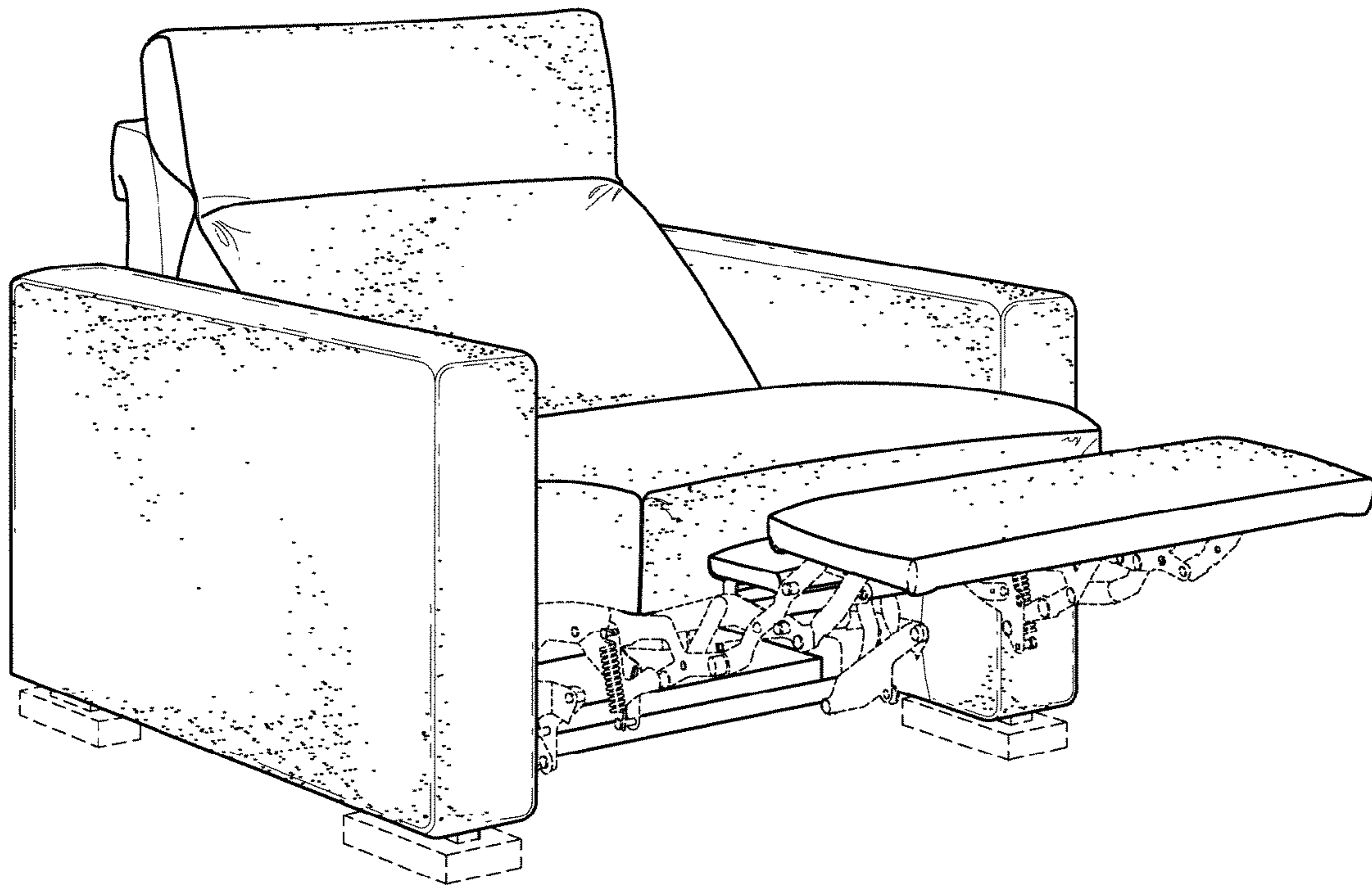


FIG. 2

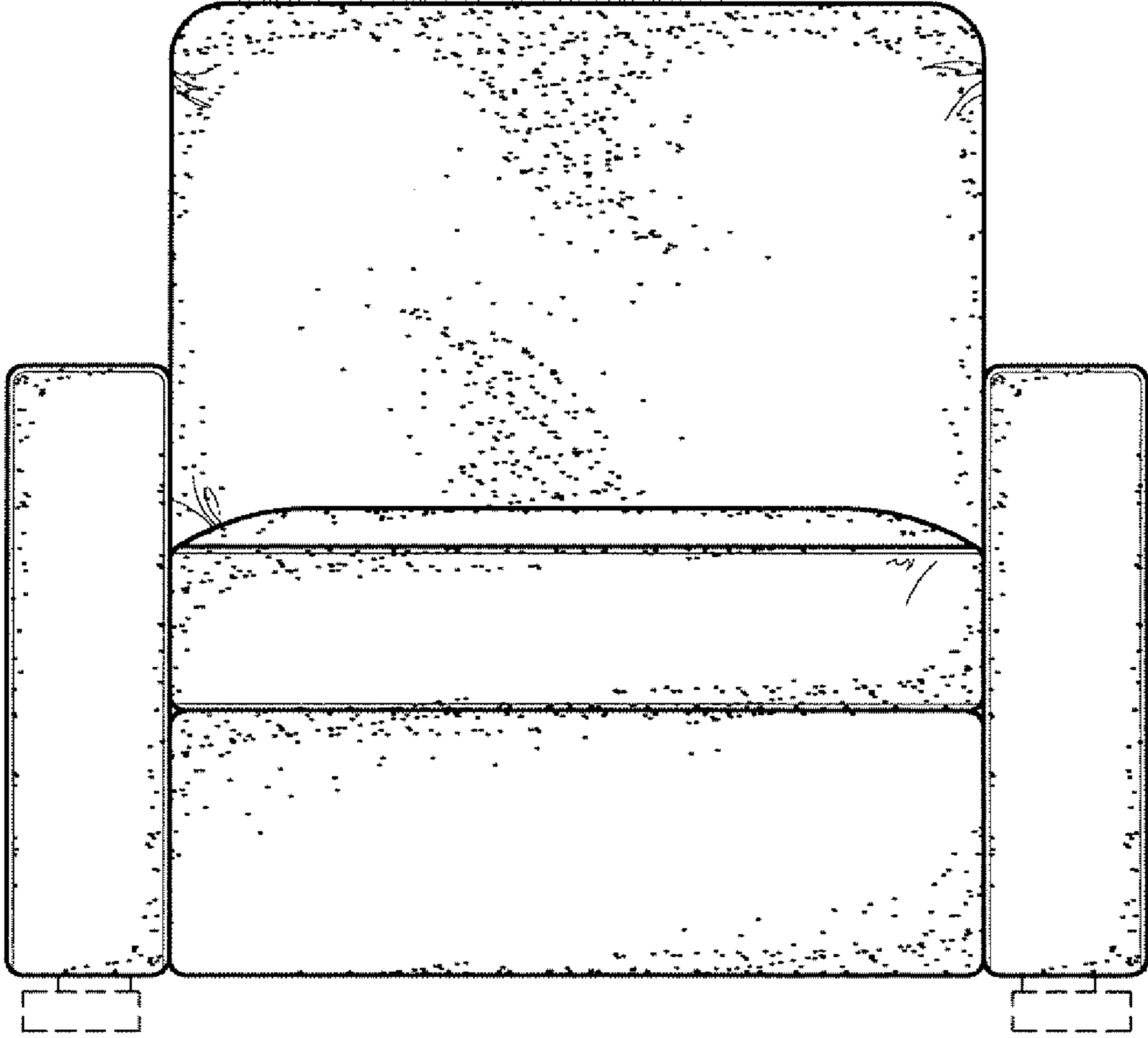


FIG. 3

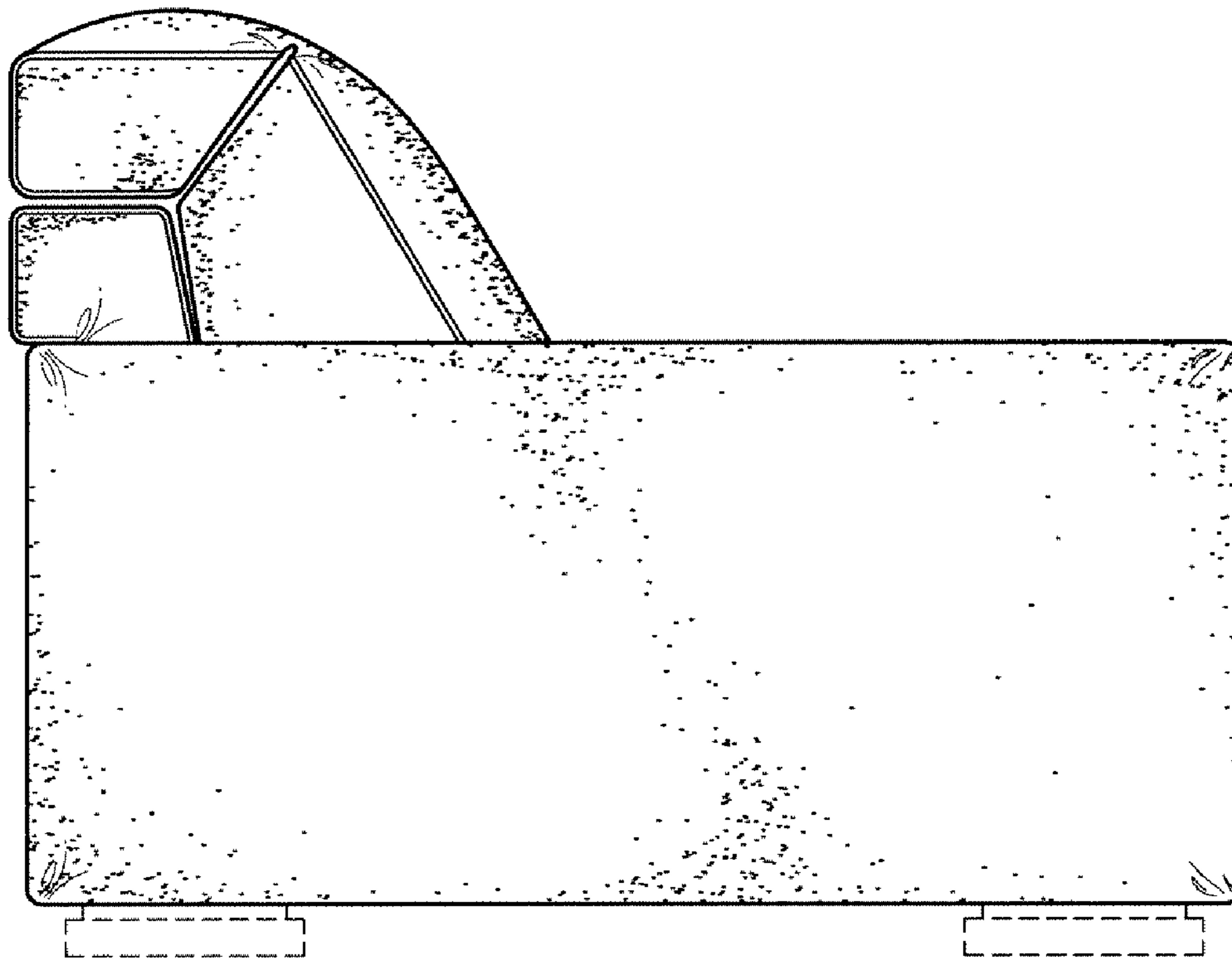


FIG. 4

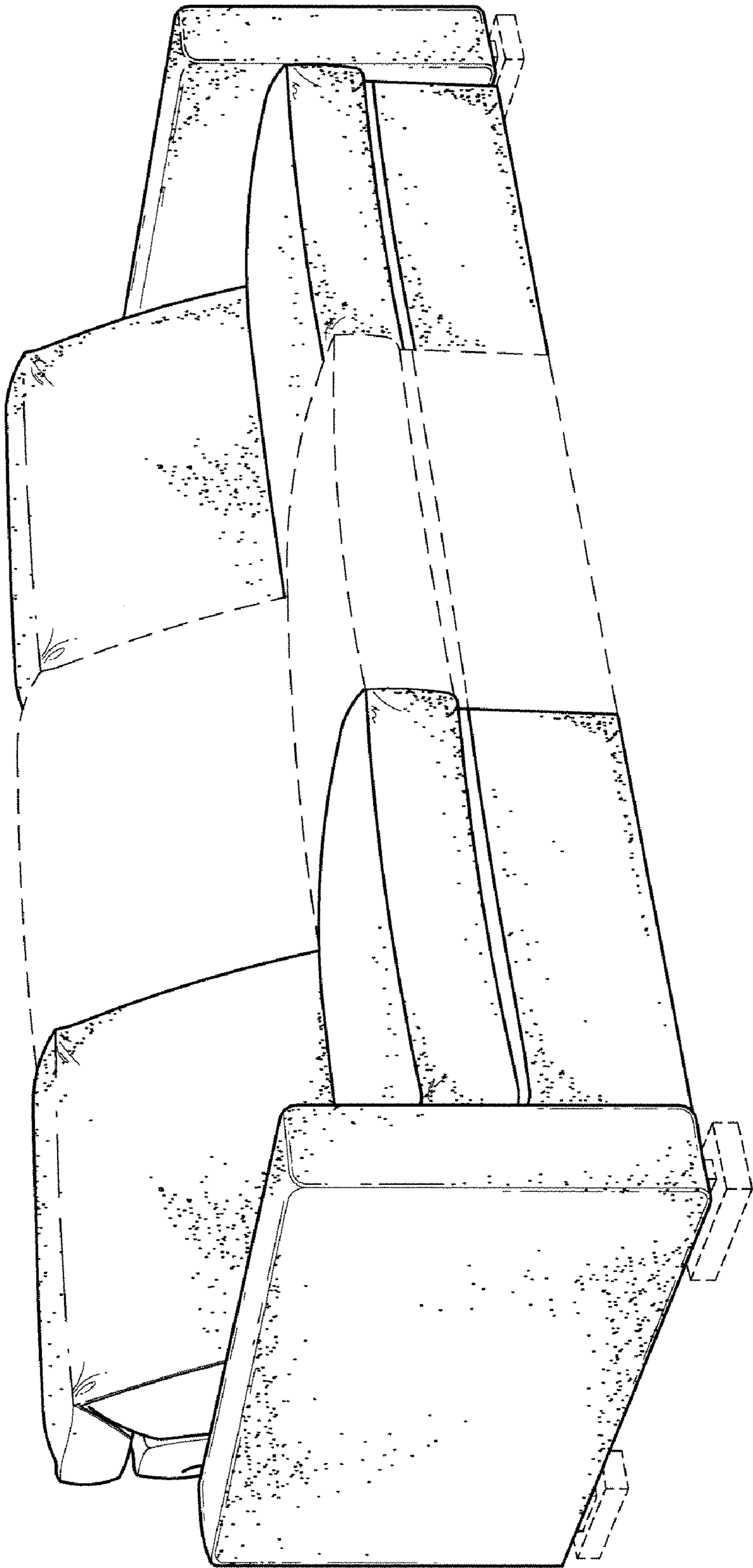


FIG. 5

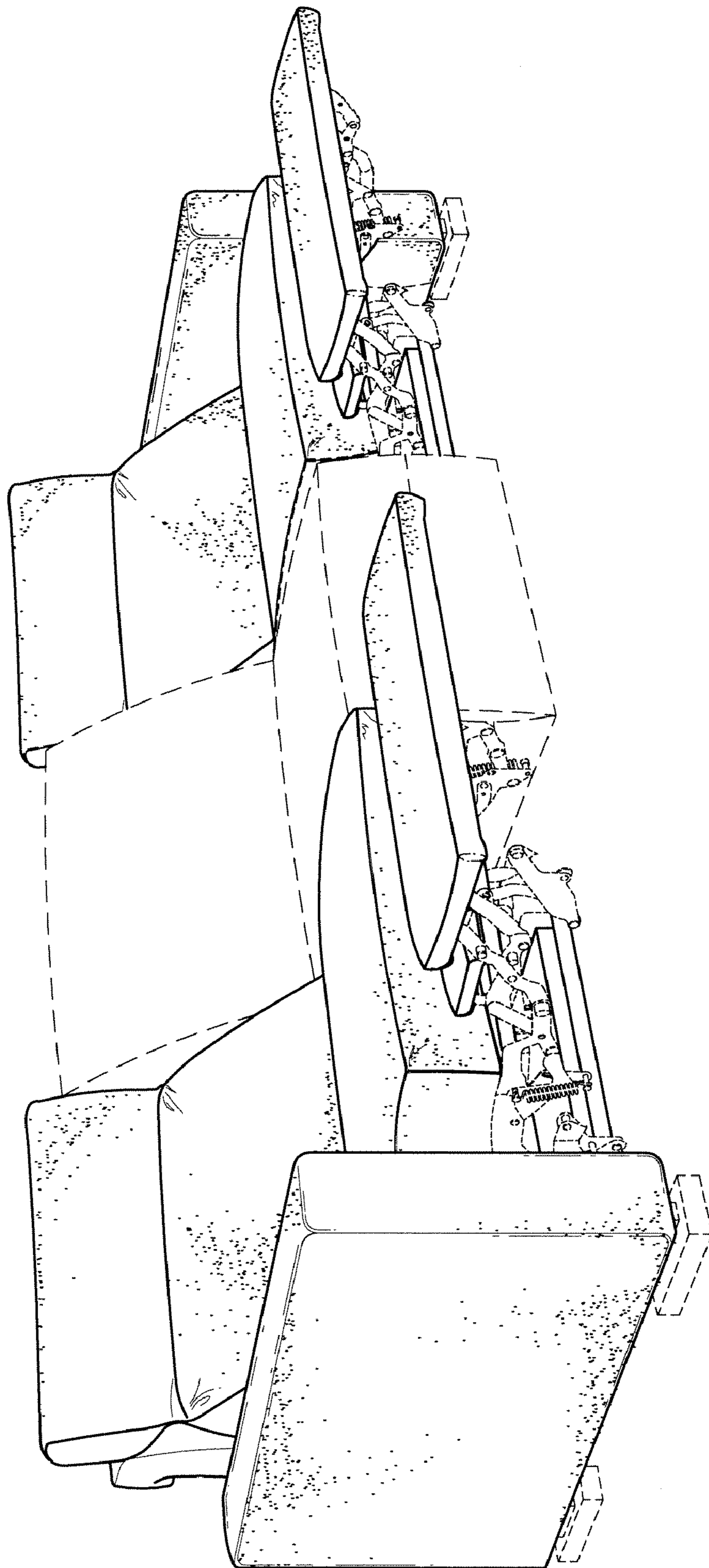


FIG. 6