



US00D572915S

(12) **United States Design Patent**  
**Doughty**

(10) **Patent No.:** **US D572,915 S**  
(45) **Date of Patent:** **\*\* Jul. 15, 2008**

(54) **FURNITURE**

(75) Inventor: **Frederic C. Doughty**, Spring City, PA  
(US)

(73) Assignee: **Tropitone Furniture Co., Inc.**, Irvine,  
CA (US)

(\*\*) Term: **14 Years**

(21) Appl. No.: **29/272,183**

(22) Filed: **Feb. 2, 2007**

(51) **LOC (8) Cl.** ..... **06-01**

(52) **U.S. Cl.** ..... **D6/334**

(58) **Field of Classification Search** ..... D6/334,  
D6/335, 341, 353, 360, 364, 367, 369, 371,  
D6/376, 377, 379-381, 500-502; 297/445.1,  
297/446.1; 5/12.1

See application file for complete search history.

(56) **References Cited**

**U.S. PATENT DOCUMENTS**

D84,514 S	*	6/1931	Brown	.....	D6/379
D94,779 S	*	3/1935	Raventos	.....	D6/379
D250,154 S	*	11/1978	Benoit	.....	D6/379
D364,743 S	*	12/1995	Lewis	.....	D6/334
D461,647 S	*	8/2002	Stokes	.....	D6/335
D465,347 S	*	11/2002	Bell	.....	D6/376

D482,541 S	*	11/2003	Pluer	.....	D6/375
D482,542 S	*	11/2003	Pluer	.....	D6/375
D485,083 S	*	1/2004	Frinier	.....	D6/379
D486,660 S	*	2/2004	Tseng	.....	D6/376
D502,332 S	*	3/2005	Pluer	.....	D6/376
D522,257 S	*	6/2006	Denton	.....	D6/334
D532,212 S	*	11/2006	Bell	.....	D6/376
D543,371 S	*	5/2007	Wang	.....	D6/375
D553,369 S	*	10/2007	Ko	.....	D6/334

\* cited by examiner

*Primary Examiner*—Sandra Snapp

(74) *Attorney, Agent, or Firm*—Knobbe, Martens, Olson &  
Bear LLP

(57) **CLAIM**

The ornamental design for furniture, as shown and described.

**DESCRIPTION**

FIG. 1 is a perspective view showing the new design;

FIG. 2 is a front view of the design of FIG. 1;

FIG. 3 is a rear view of the design of FIG. 1;

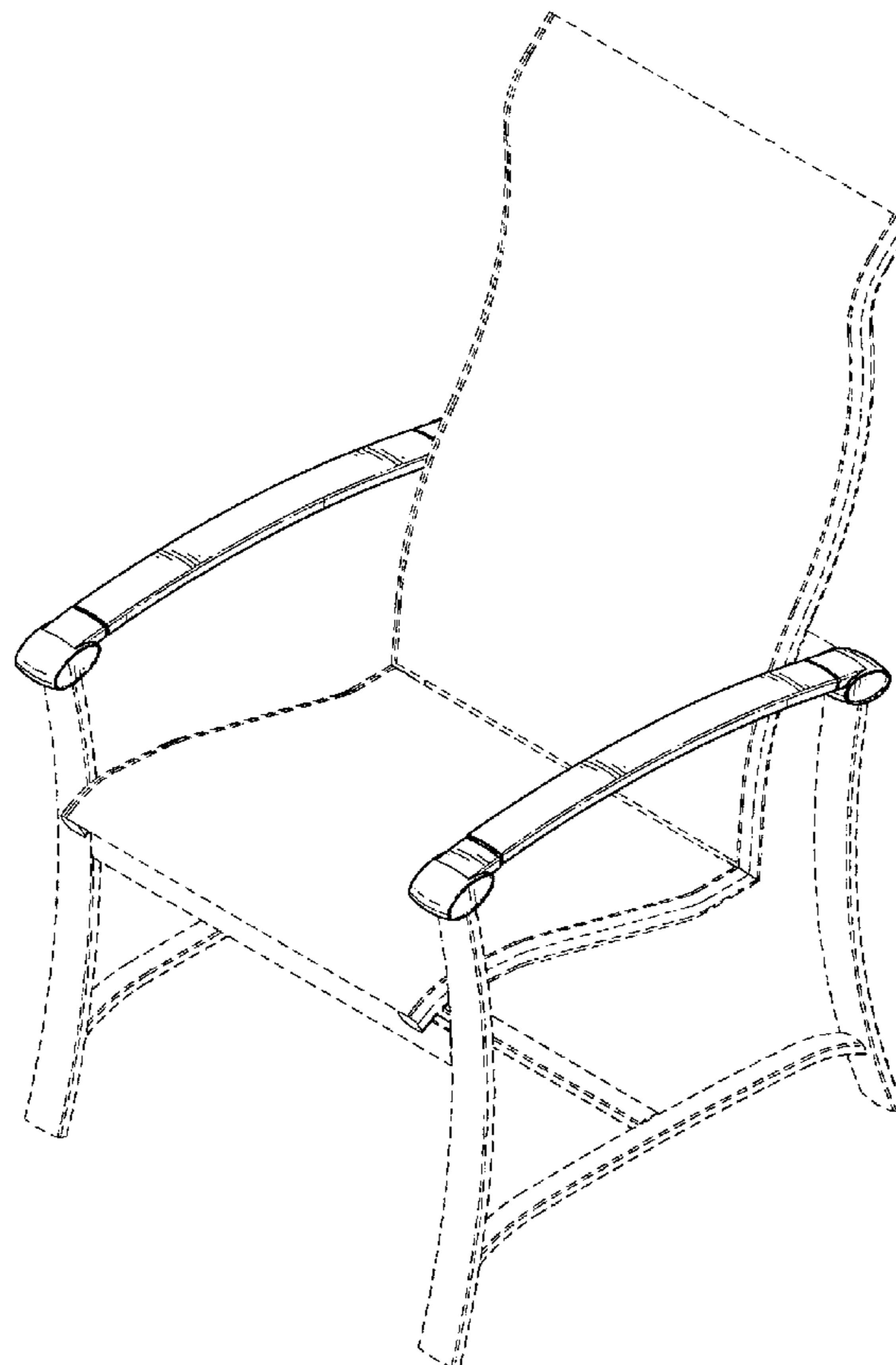
FIG. 4 is a left view of the design of FIG. 1;

FIG. 5 is a top view of the design of FIG. 1;

FIG. 6 is a bottom view of the design in FIG. 1; and,

FIG. 7 is a perspective bottom view of the design in FIG. 1.

**1 Claim, 5 Drawing Sheets**



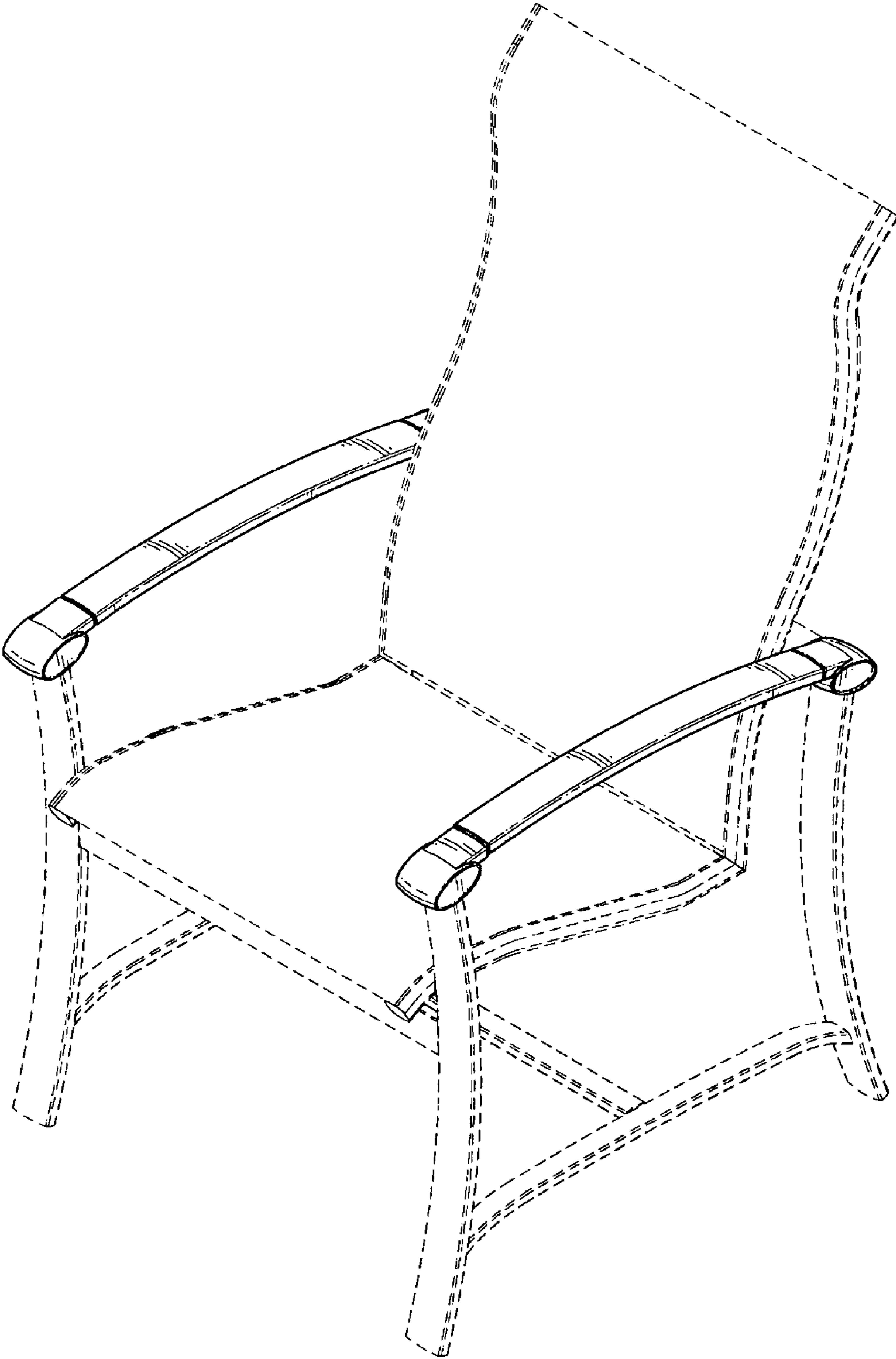


FIG. 1

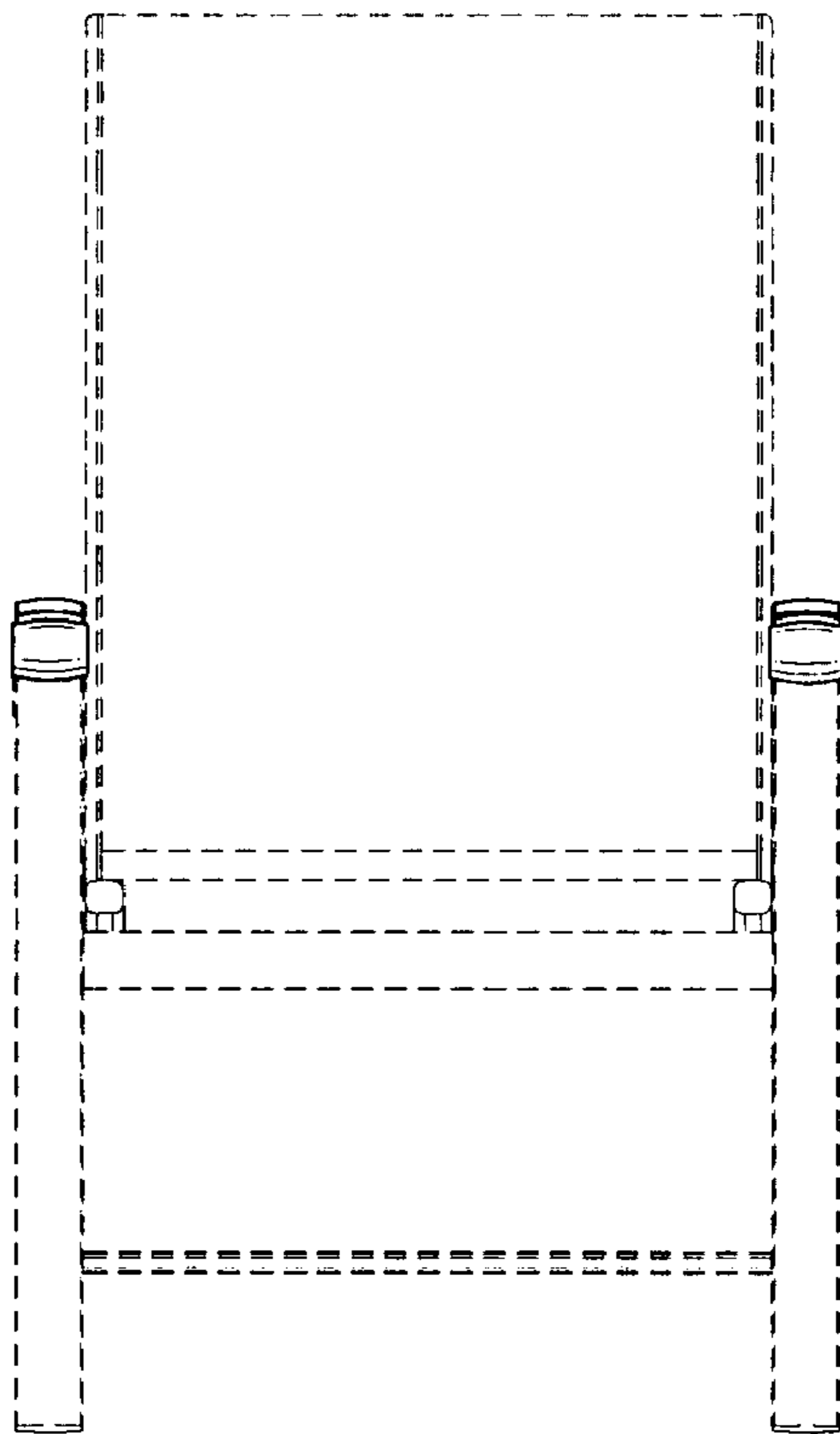


FIG. 2

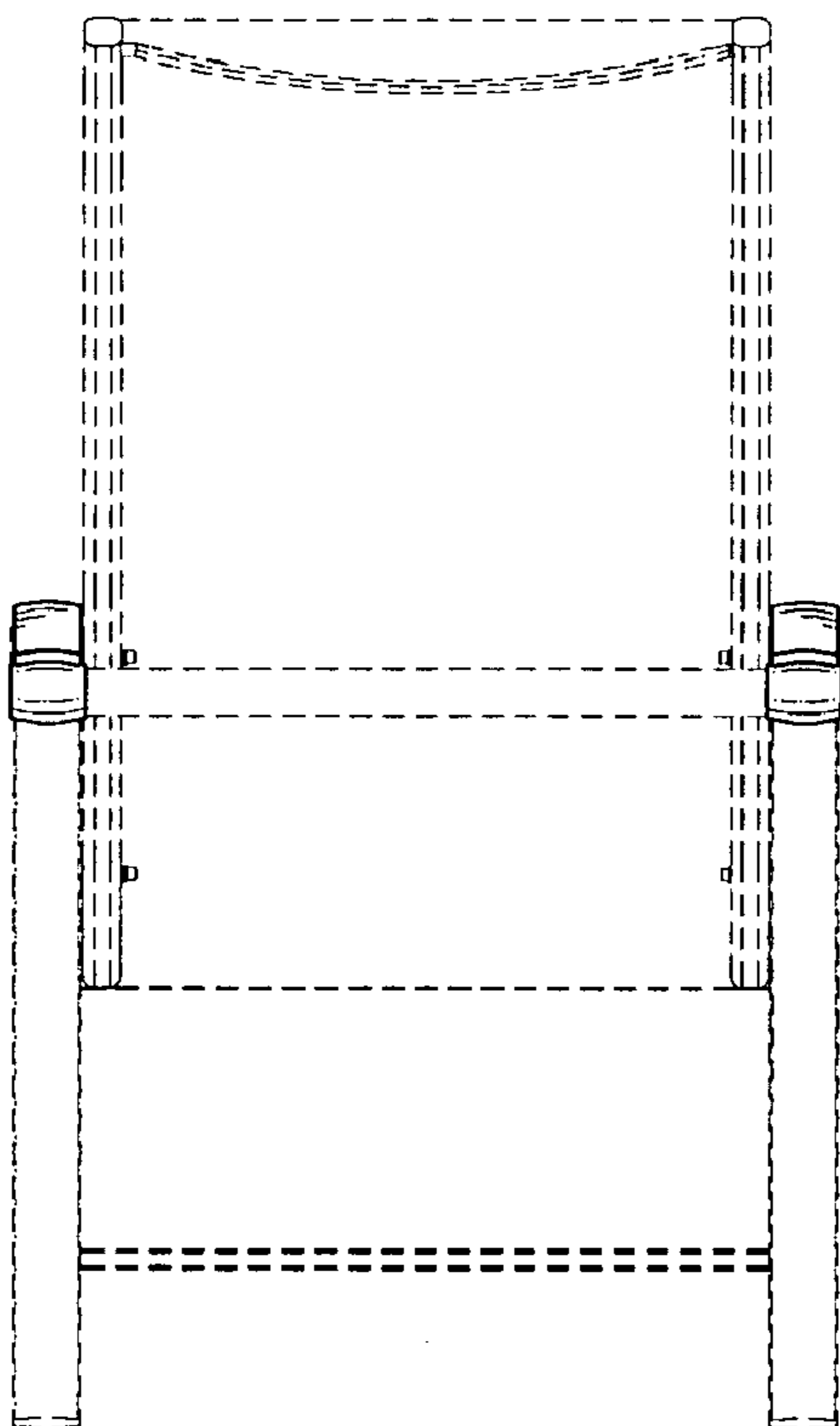


FIG. 3

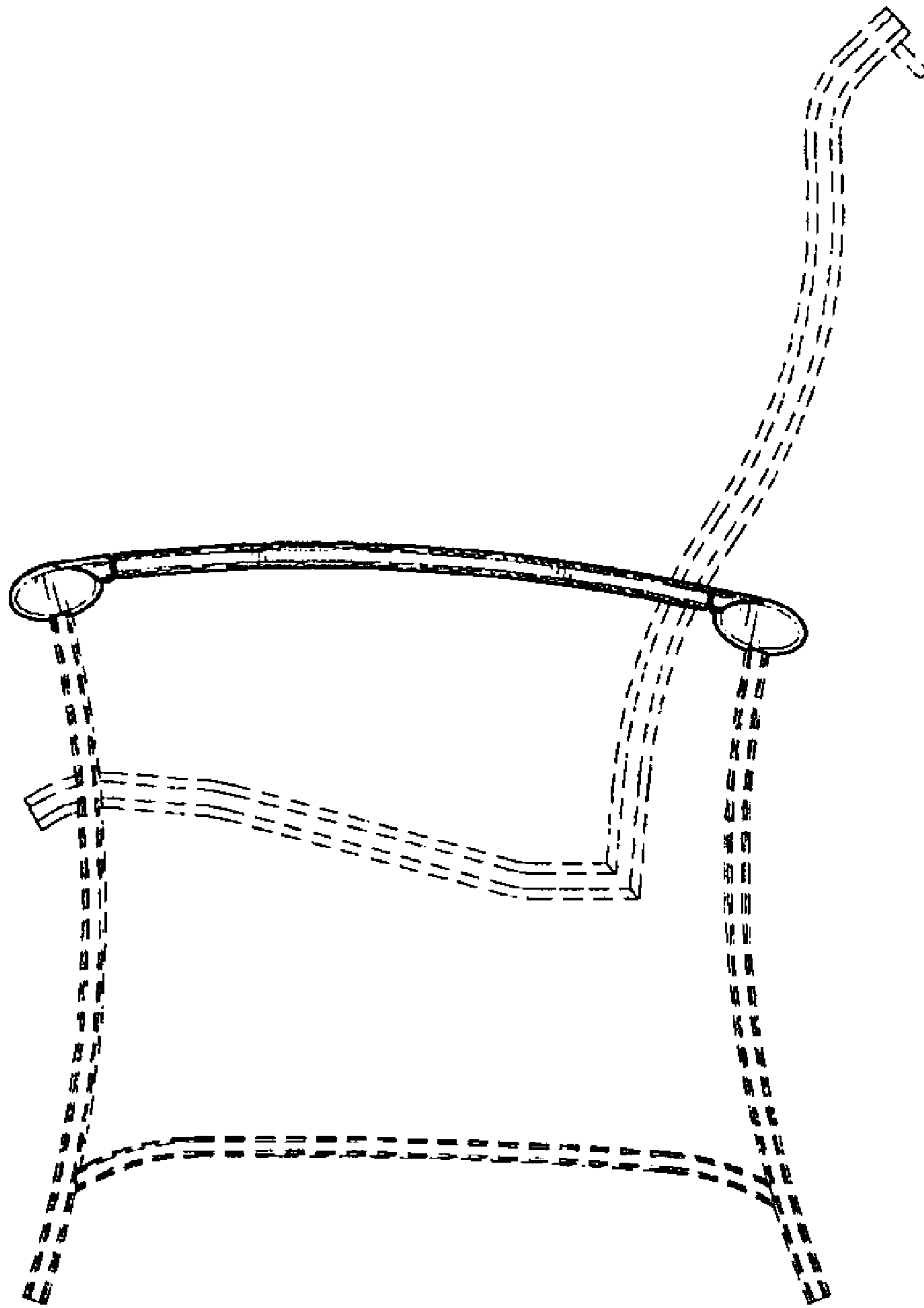
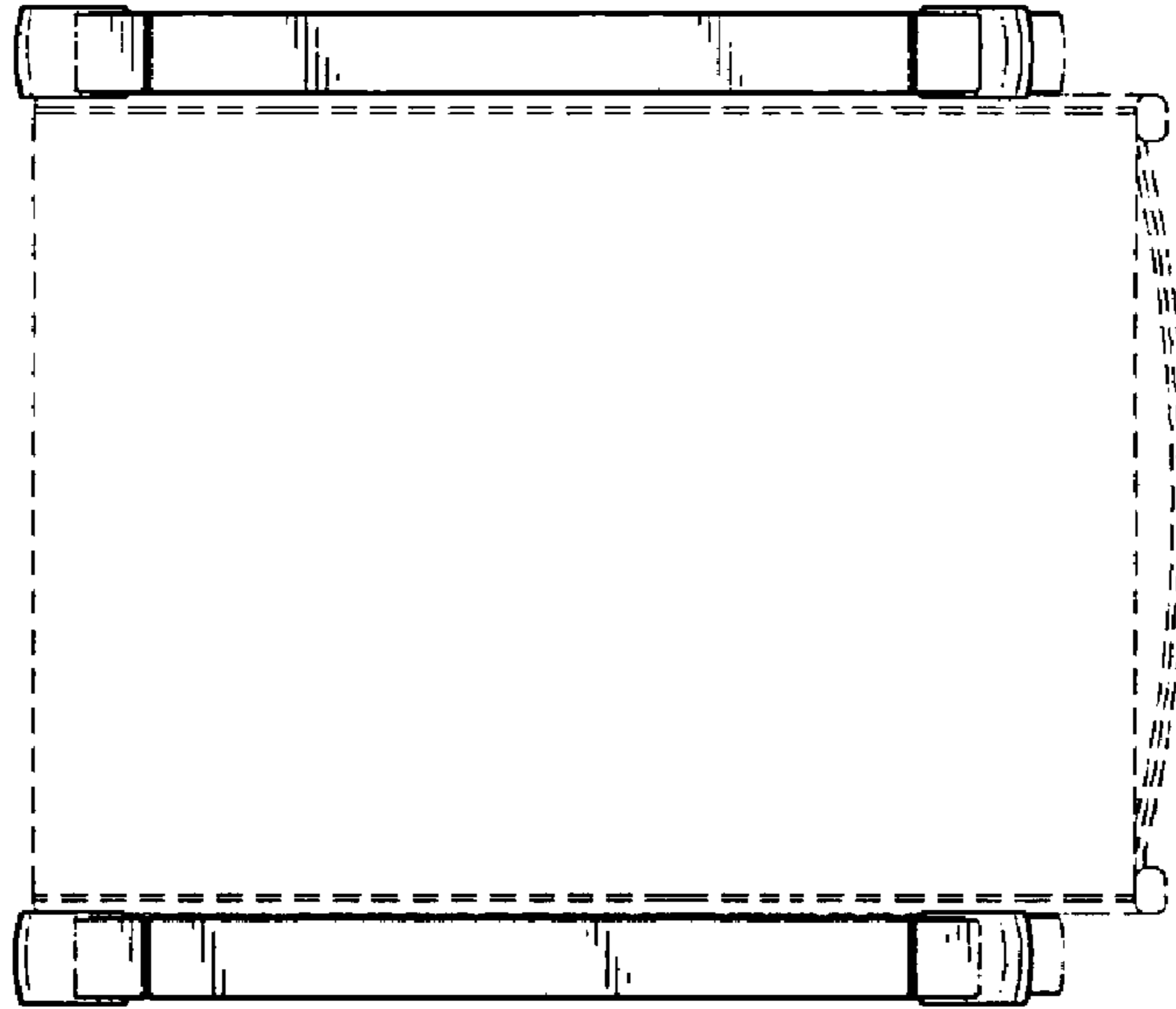
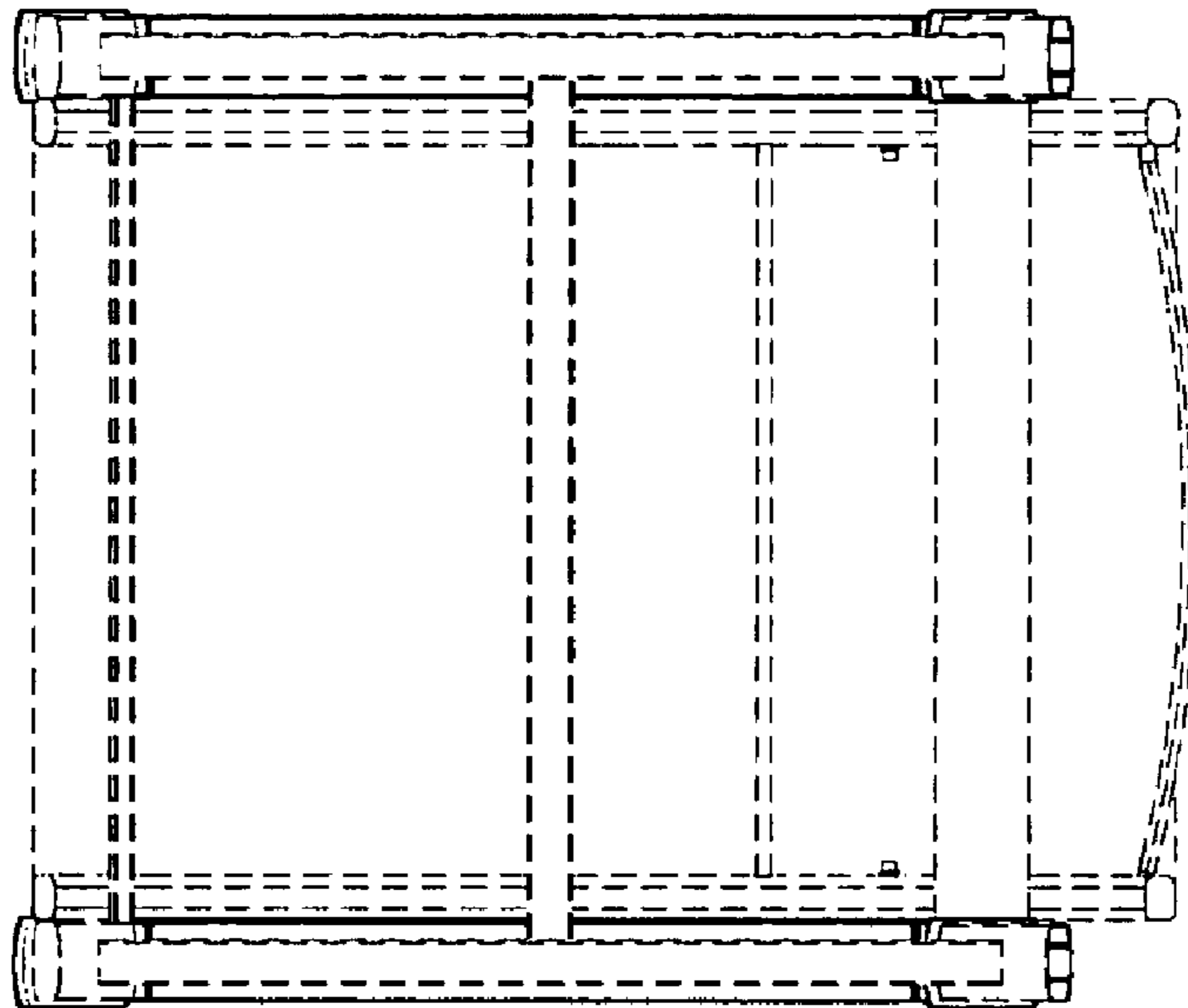


FIG. 4



*FIG. 5*



*FIG. 6*

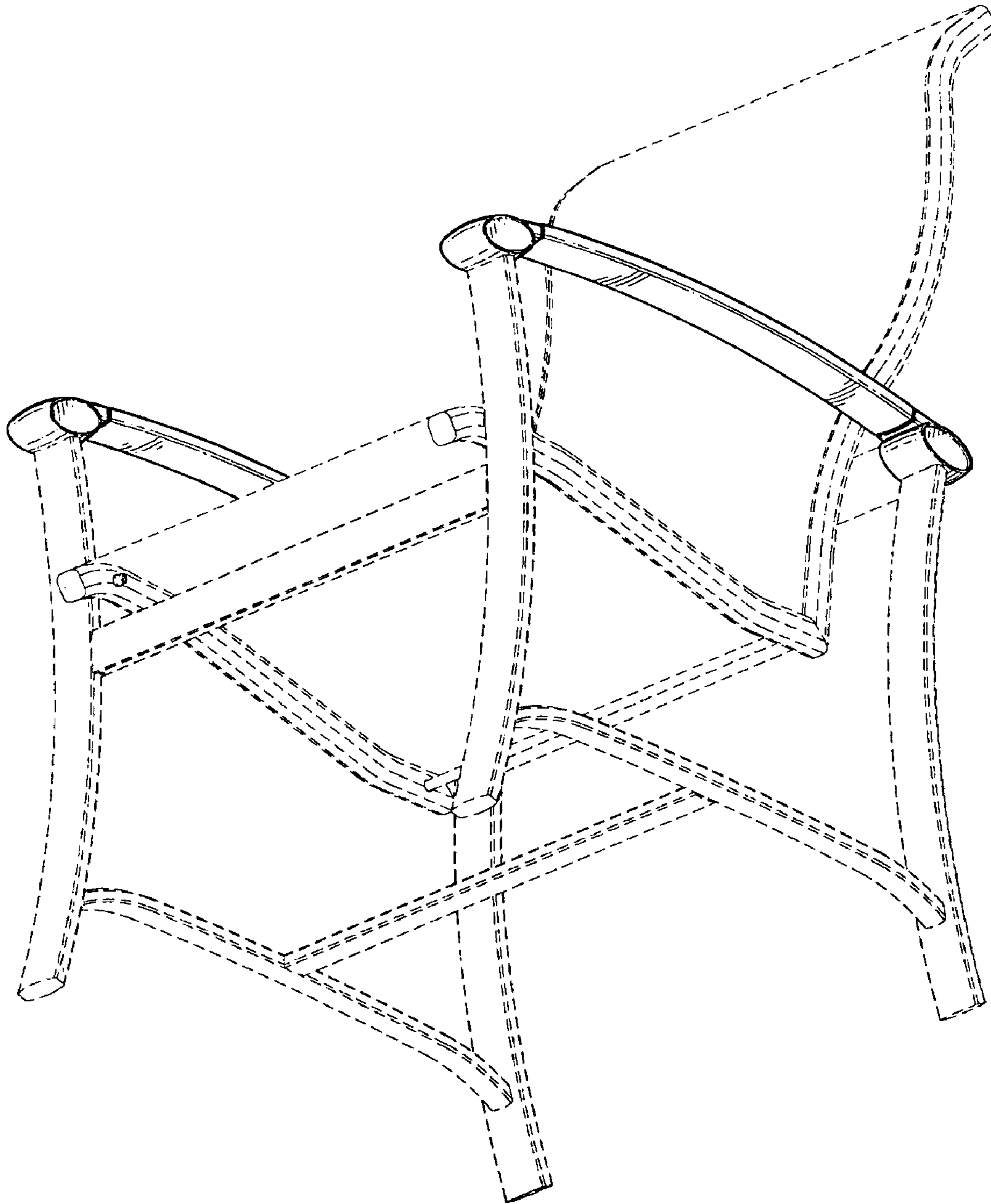


FIG. 7