



US00D572914S

(12) **United States Design Patent**
Overthun et al.

(10) **Patent No.:** **US D572,914 S**
(45) **Date of Patent:** **** Jul. 15, 2008**

(54) **CHAIR**

1,157,351 A 10/1915 Weber
1,233,218 A 7/1917 Gent
1,336,062 A 4/1920 Arton
1,348,813 A 8/1920 Landine
1,350,360 A 8/1920 Crane

(75) Inventors: **Thomas Overthun**, San Francisco, CA (US); **Judy G. Davis**, Fort Worth, TX (US); **Kurtis K. Kemper**, Kennedale, TX (US)

(73) Assignee: **Steelcase Inc.**, Grand Rapids, MI (US)

(**) Term: **14 Years**

(Continued)

(21) Appl. No.: **29/260,940**

FOREIGN PATENT DOCUMENTS

(22) Filed: **Jun. 5, 2006**

CA 722004 11/1965

(51) **LOC (8) Cl.** **06-01**

(52) **U.S. Cl.** **D6/334**

(58) **Field of Classification Search** D6/334,
D6/366, 370, 335-336, 358, 364-367, 372,
D6/375, 379, 356, 498, 500-502; 297/411.2,
297/411.27, 411.28, 411.36, 452.29, 284.4,
297/452.3

(Continued)

See application file for complete search history.

Primary Examiner—Robert M. Spear
Assistant Examiner—Katrina A Kile
(74) *Attorney, Agent, or Firm*—Price, Heneveld, Cooper,
DeWitt & Litton, LLP

(56) **References Cited**

(57) **CLAIM**

U.S. PATENT DOCUMENTS

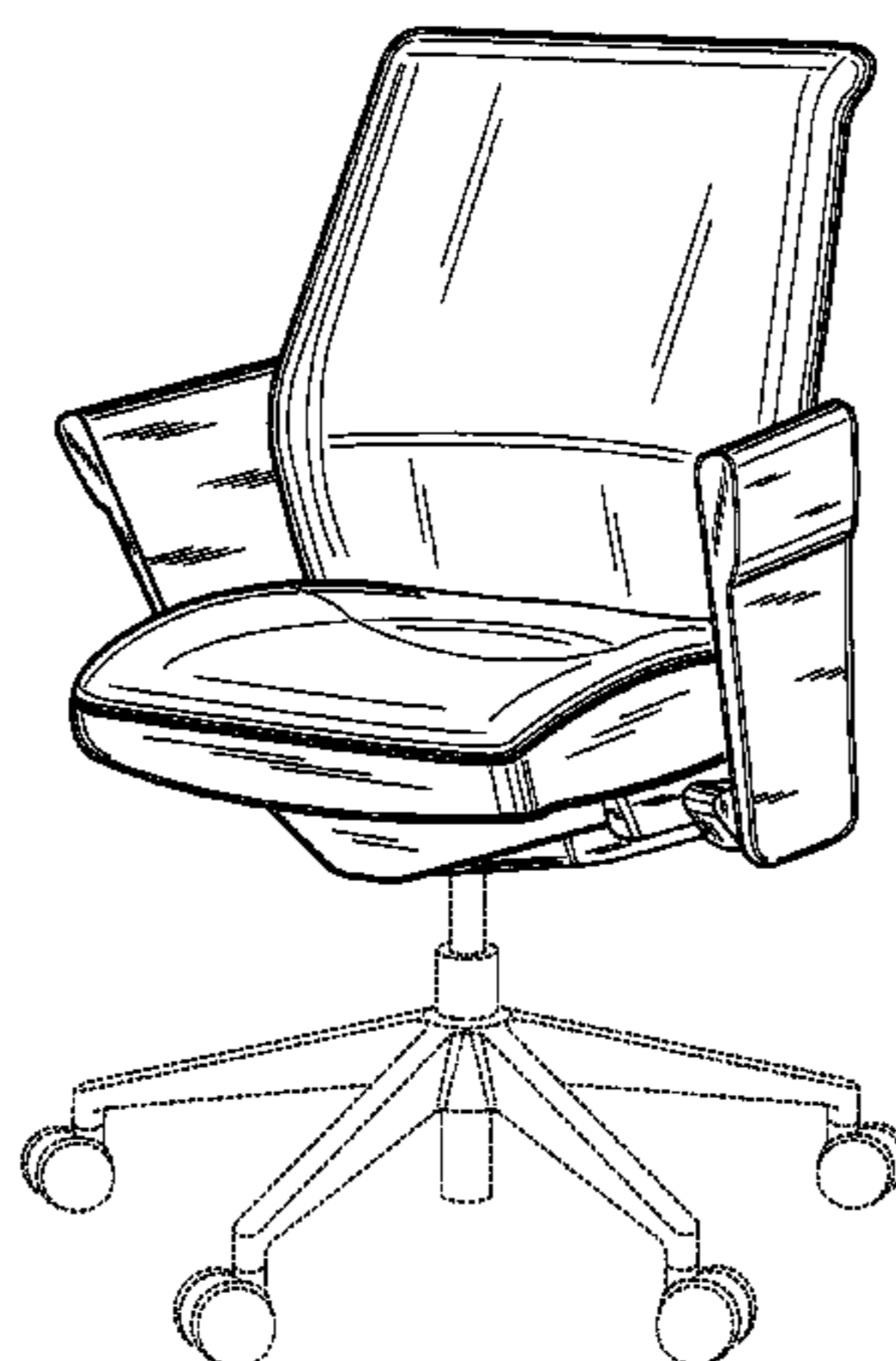
The ornamental design for a chair, as shown and described.

156,177 A 10/1874 Schabel et al.
177,050 A 5/1876 Wood
229,225 A 6/1880 Young
248,919 A 11/1881 Crosgrave
415,232 A 11/1889 Warner
468,930 A 2/1892 Oulton
477,421 A 6/1892 Jaekel
479,071 A 7/1892 Holstein
518,626 A 4/1894 Pomeroy
560,547 A 5/1896 Shotwell
569,679 A 10/1896 Stokes
583,136 A 5/1897 Anderson
612,816 A 10/1898 Brilliant
685,371 A 10/1901 Davis et al.
722,855 A 3/1903 Koehn
803,826 A 11/1905 Holmes et al.
863,874 A 8/1907 Rajner
955,094 A 4/1910 McNeel
1,084,111 A 1/1914 Rolfson-Schmidt

DESCRIPTION

FIG. 1 is a perspective view of a chair, showing our new design;
FIG. 2 is a right-hand side elevational view;
FIG. 3 is a left-hand side elevational view;
FIG. 4 is a front elevational view;
FIG. 5 is a rear elevational view;
FIG. 6 is a top plan view; and,
FIG. 7 is a bottom plan view.
The dashed lines in the figures show the environment of the present design and are not part of the present design.

1 Claim, 7 Drawing Sheets



US D572,914 S

Page 3

2005/0093358 A1 5/2005 Matern et al.
2005/0146191 A1 7/2005 Machael et al.

FOREIGN PATENT DOCUMENTS

DE 83331697 4/1984
DE 20120427 U1 5/2002
DE 20205863 U1 9/2002
EP 0121899 A2 10/1984

EP 0212434 3/1987
GB 708329 5/1954
GB 2292518 A 2/1996
JP 406022828 A 2/1994
JP 409215549 A 8/1997
JP 144267 A 5/2003

* cited by examiner

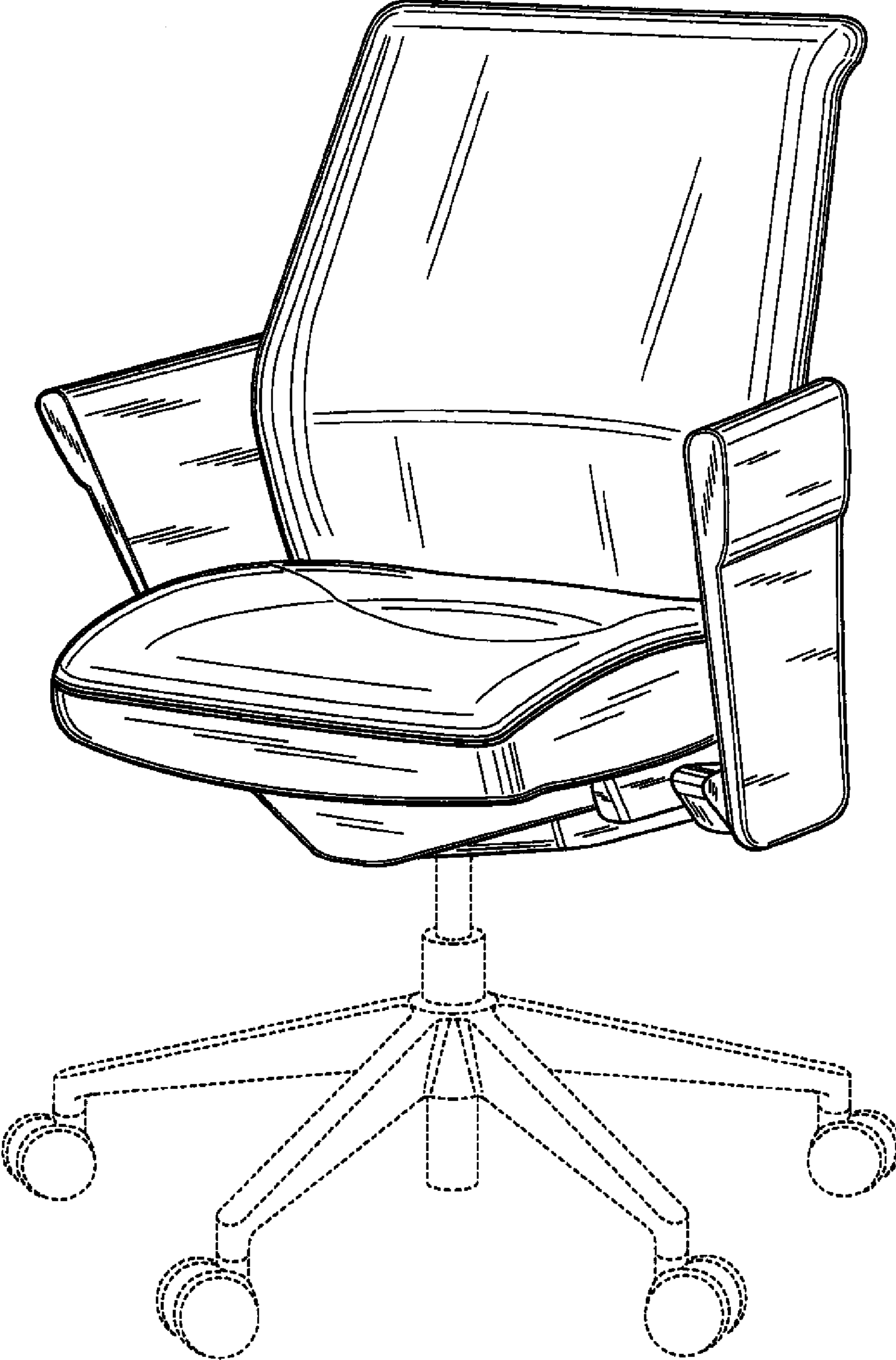


FIG. 1

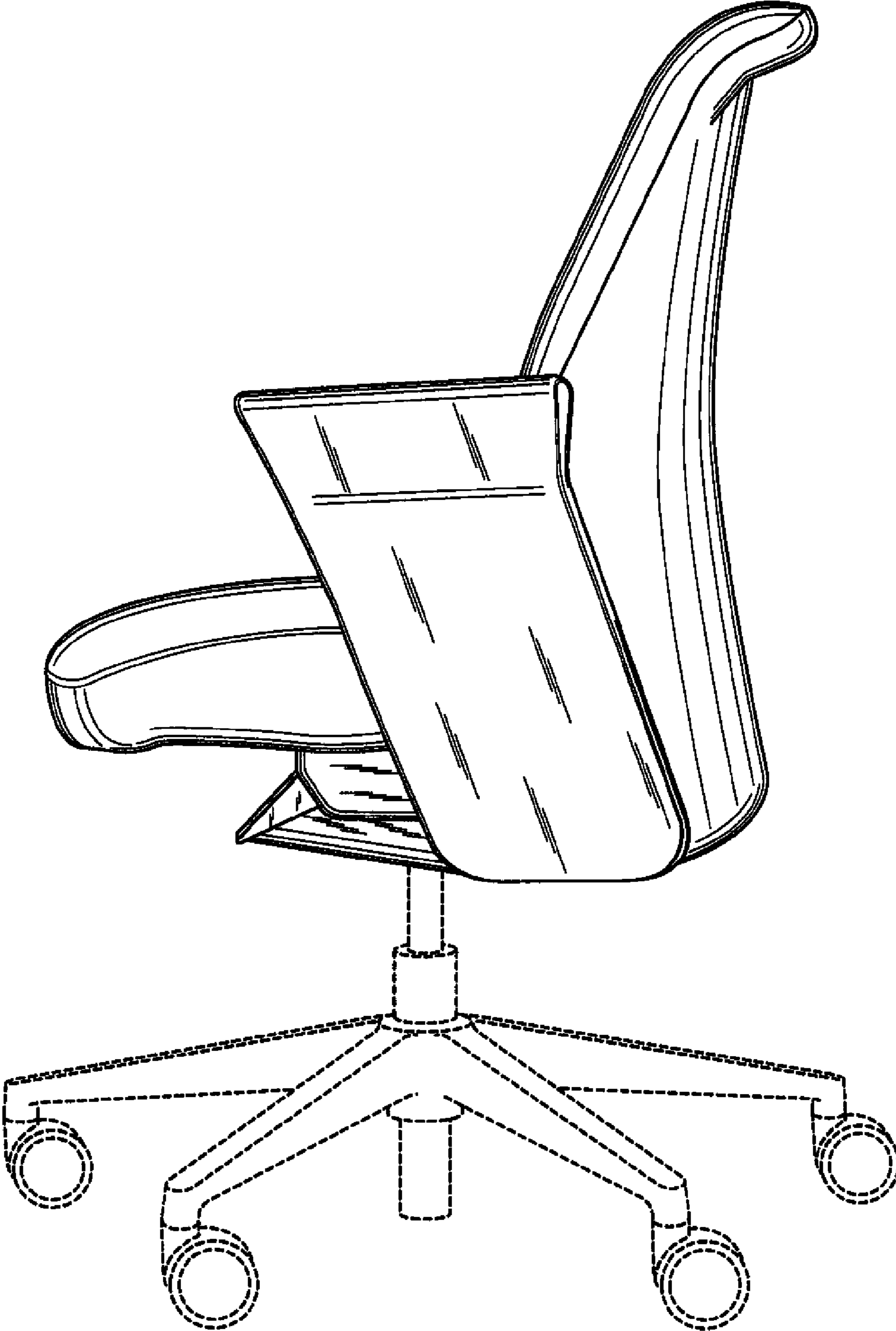


FIG. 2

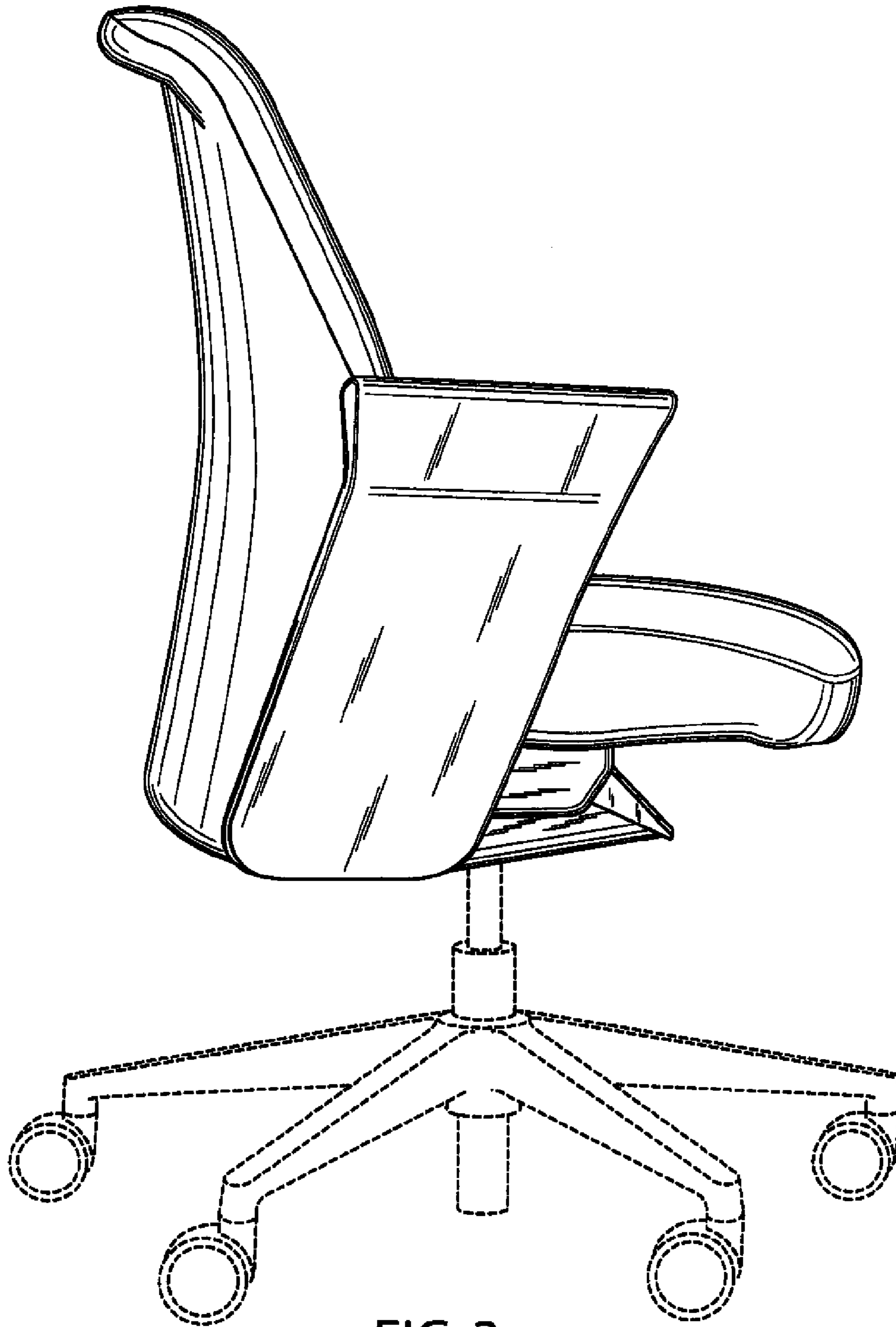


FIG. 3

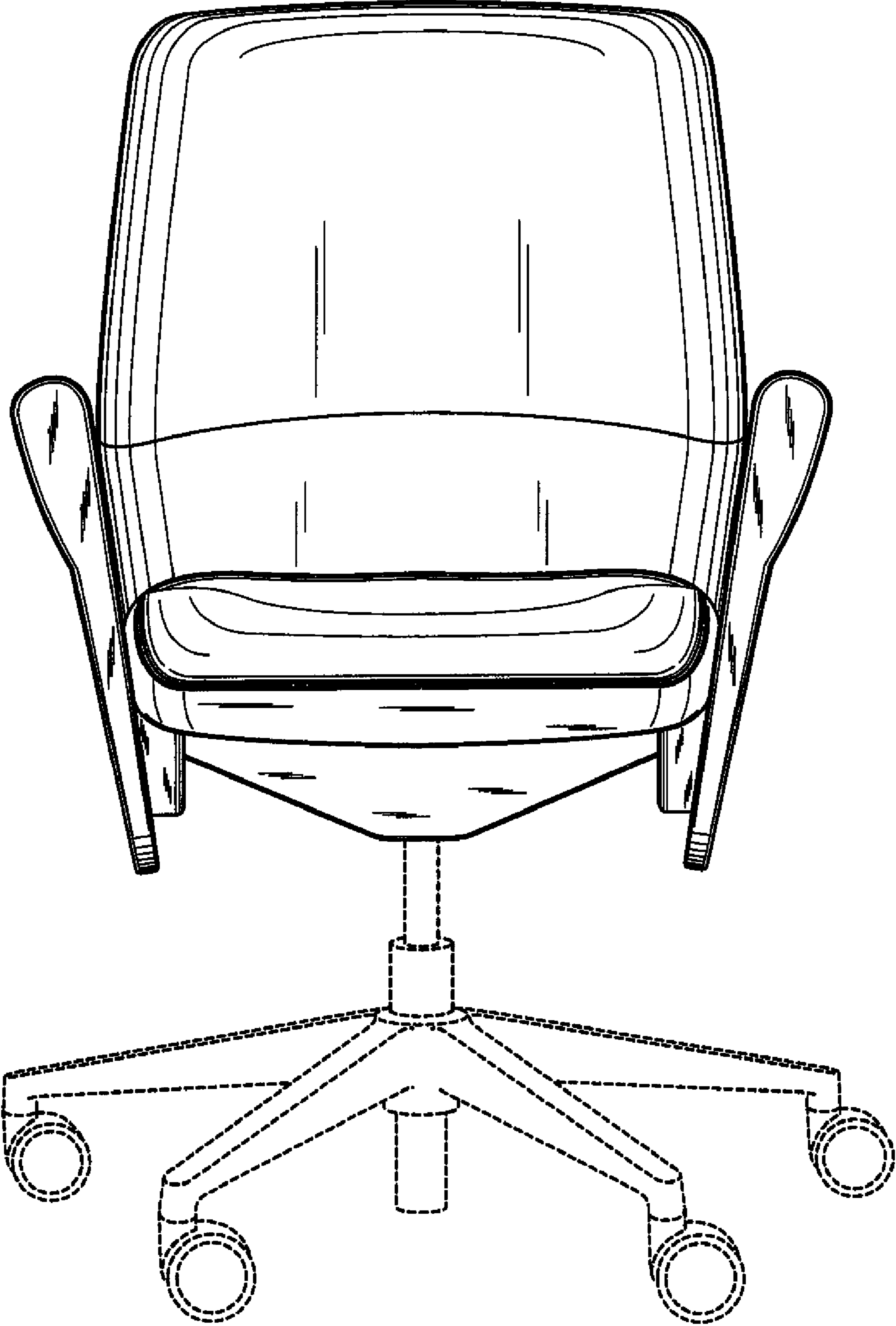


FIG. 4

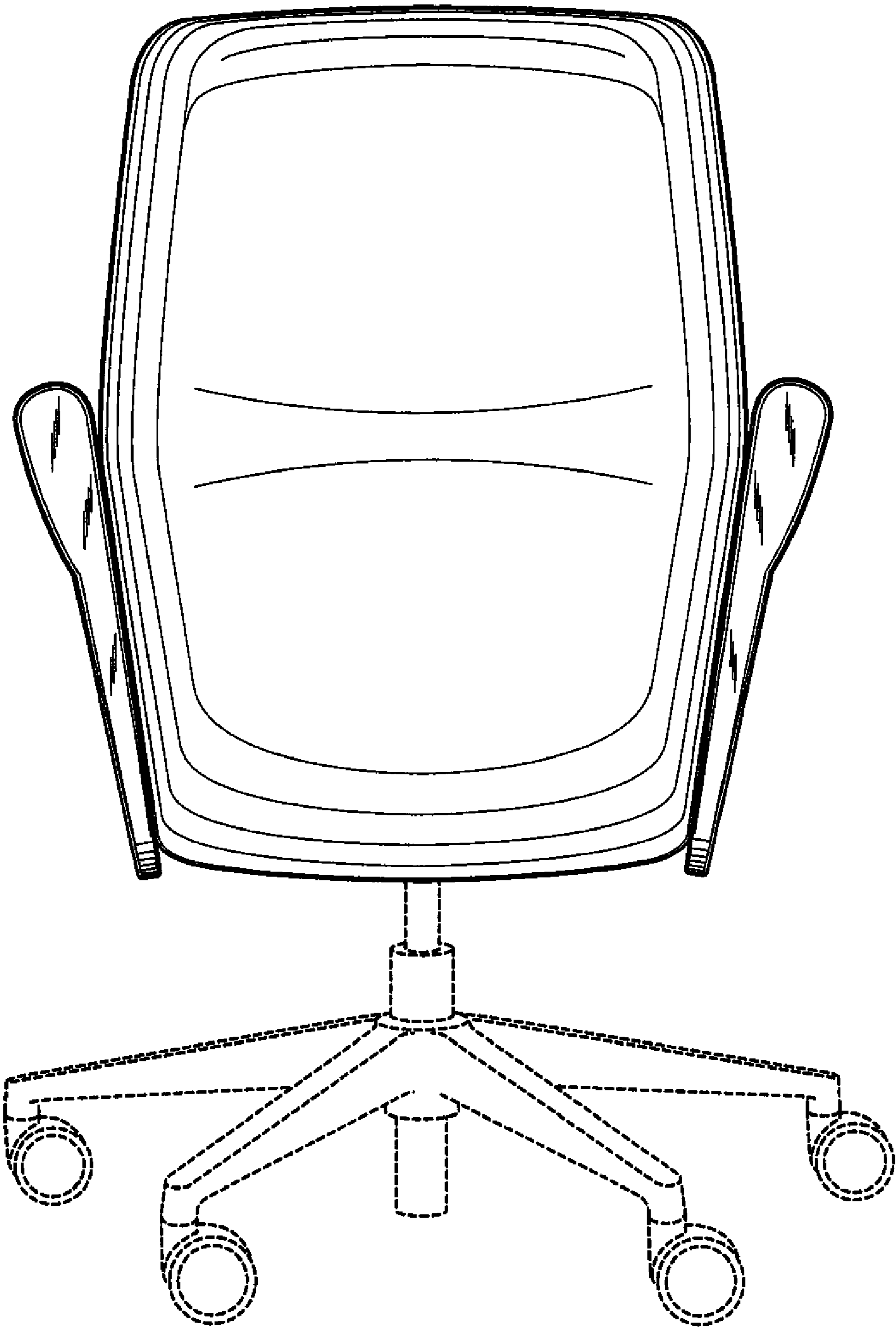


FIG. 5

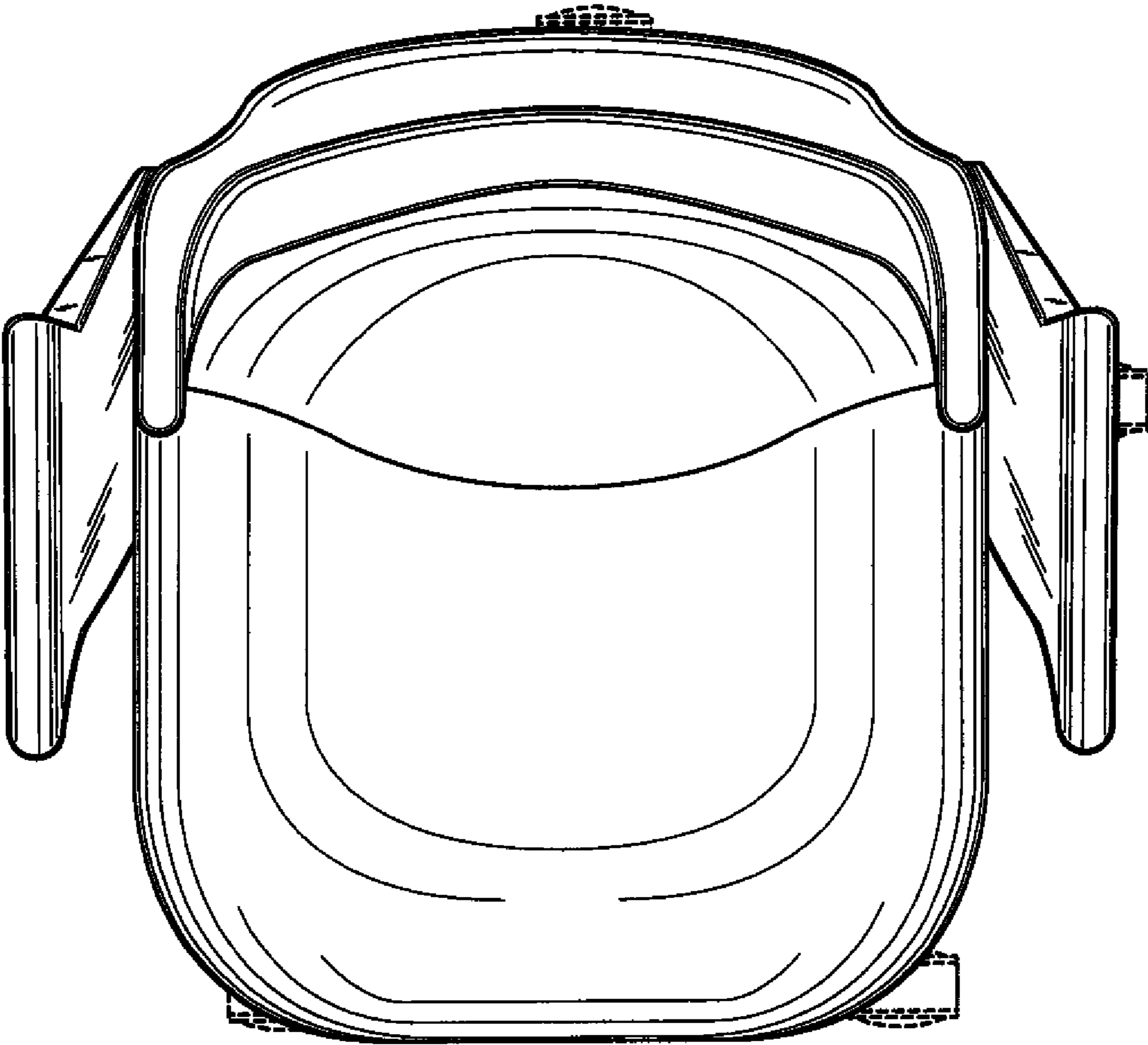


FIG. 6

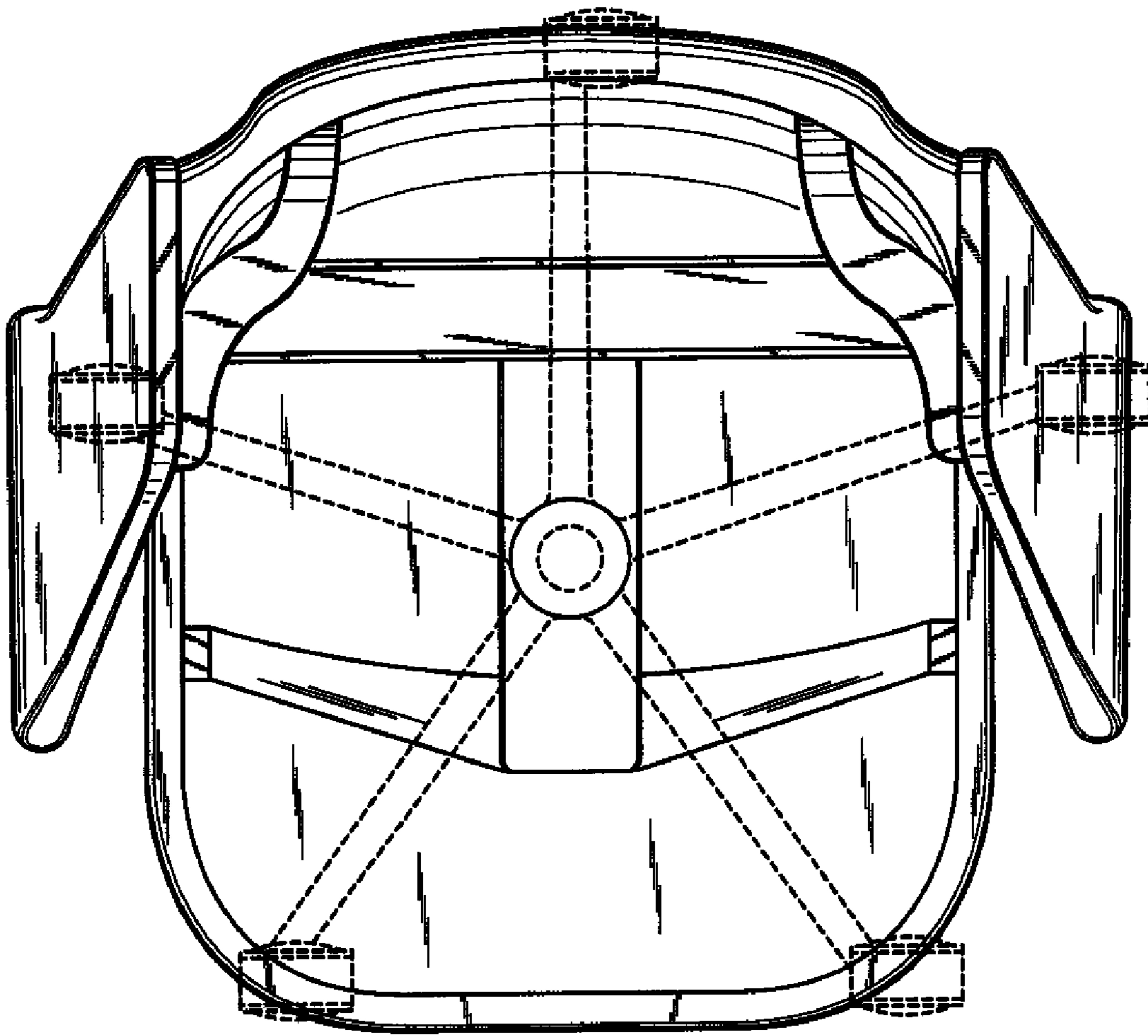


FIG. 7