



US00D572906S

(12) **United States Design Patent**
Sales

(10) **Patent No.:** **US D572,906 S**
(45) **Date of Patent:** **** Jul. 15, 2008**

(54) **WIRE BRUSH FOR CLEANING SQUARE TRAILER RECEIVER**

(76) Inventor: **Frederick A. Sales**, 156 Cedar St., Amityville, NY (US) 11701

(**) Term: **14 Years**

(21) Appl. No.: **29/272,828**

(22) Filed: **Feb. 16, 2007**

(51) **LOC (8) Cl.** **04-01**

(52) **U.S. Cl.** **D4/131**

(58) **Field of Classification Search** D4/131,
D4/138; 15/104.03, 104.05, 104.066, 104.16,
15/104.2, 164, 165, 206

See application file for complete search history.

(56) **References Cited**

U.S. PATENT DOCUMENTS

1,110,856	A	9/1914	Anderson	
1,361,888	A *	12/1920	Messenger	15/105
1,500,886	A	7/1924	Nelson	
1,545,355	A	7/1925	Roth	
D128,105	S *	7/1941	Cave	D4/131
3,391,026	A *	7/1968	Leiser	134/24
3,582,140	A *	6/1971	Kaufman et al.	300/21
4,310,942	A	1/1982	Krape	
4,353,143	A	10/1982	Beaudoin et al.	
5,295,278	A	3/1994	Condon et al.	

2002/0000016 A1* 1/2002 Hsieh 15/164

OTHER PUBLICATIONS

The Wilwaukee Brush Manufacturing Co., Catalog No. 36-R-7 Rectangular Steel Wire Flue Brush—Style D, p. 20.*

* cited by examiner

Primary Examiner—Melanie Tung

Assistant Examiner—Lavone D Tabor

(74) *Attorney, Agent, or Firm*—Leo G. Lenna

(57) **CLAIM**

The ornamental design for a wire brush for cleaning square trailer receiver, as shown and described.

DESCRIPTION

FIG. 1 is a perspective view showing my new design for a wire brush for cleaning square trailer receiver;

FIG. 2 is a right side elevational view, the left side being a mirror image thereof;

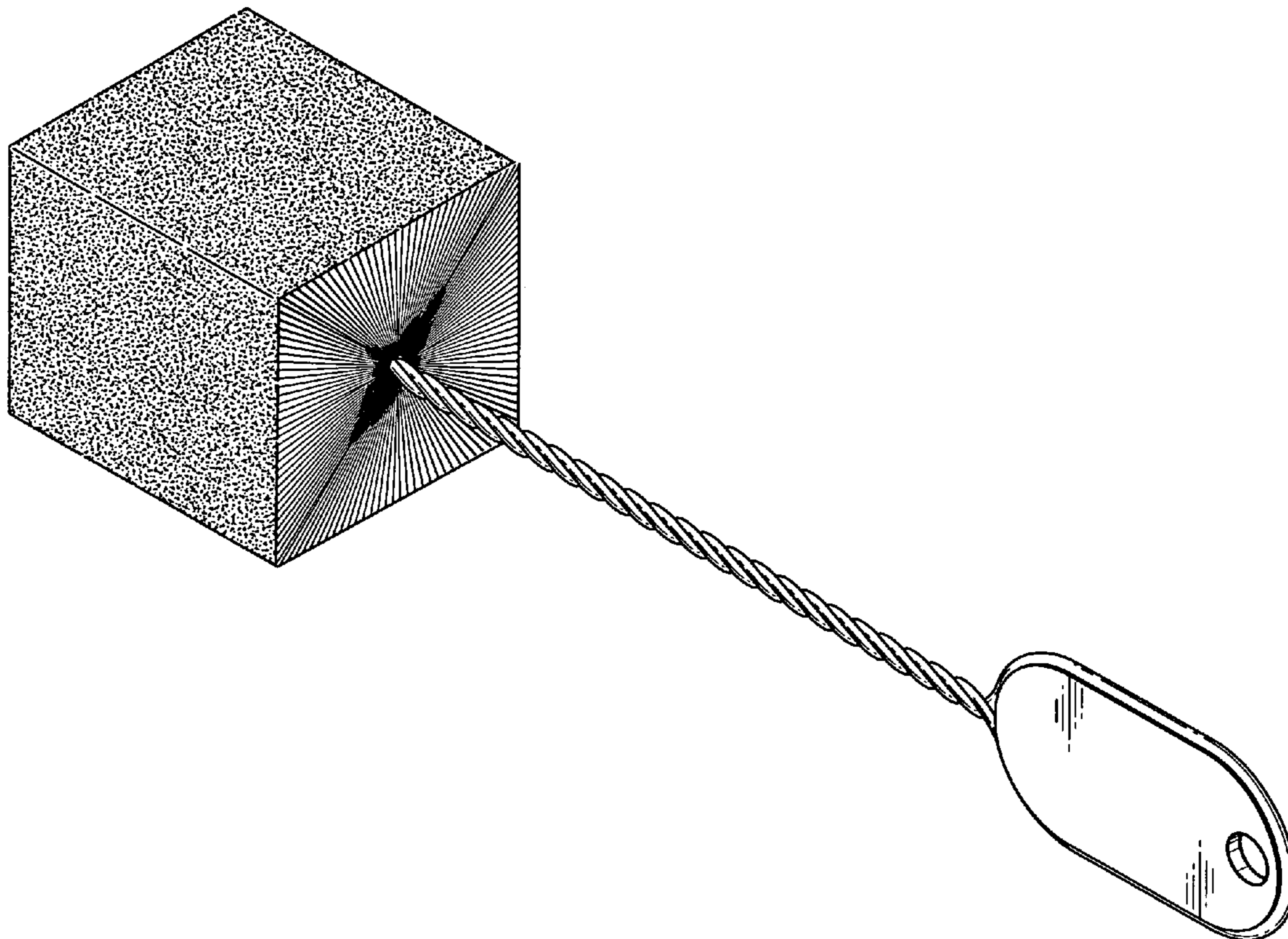
FIG. 3 is a top elevational view, the bottom elevational view being a mirror image thereof;

FIG. 4 is an end elevational view shown in the direction from the handle; and,

FIG. 5 is an opposite end elevational view shown in the direction from the brush.

The twisted shaft is shown broken away in FIGS. 2 and 3 for ease of illustration.

1 Claim, 2 Drawing Sheets



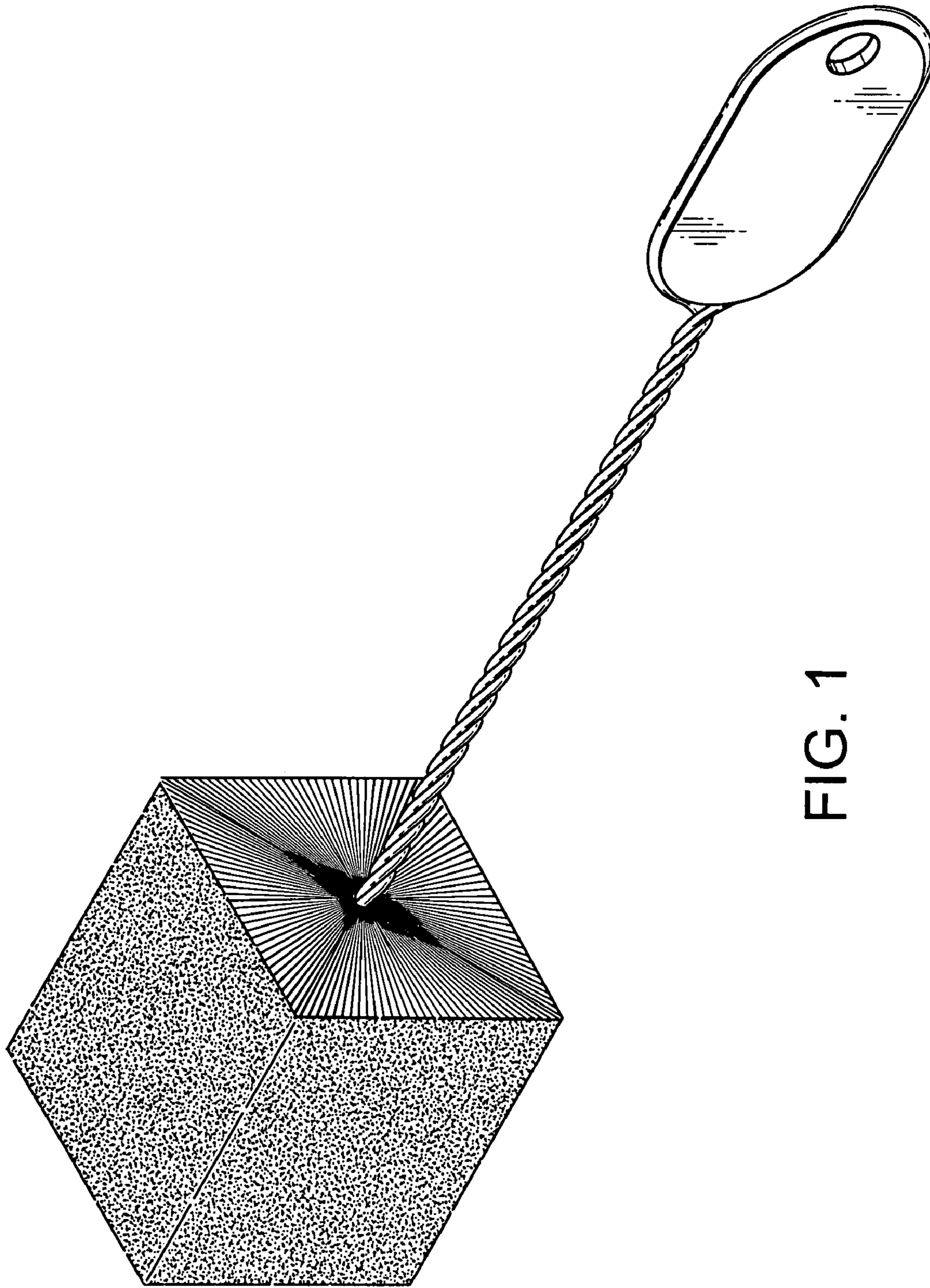


FIG. 1

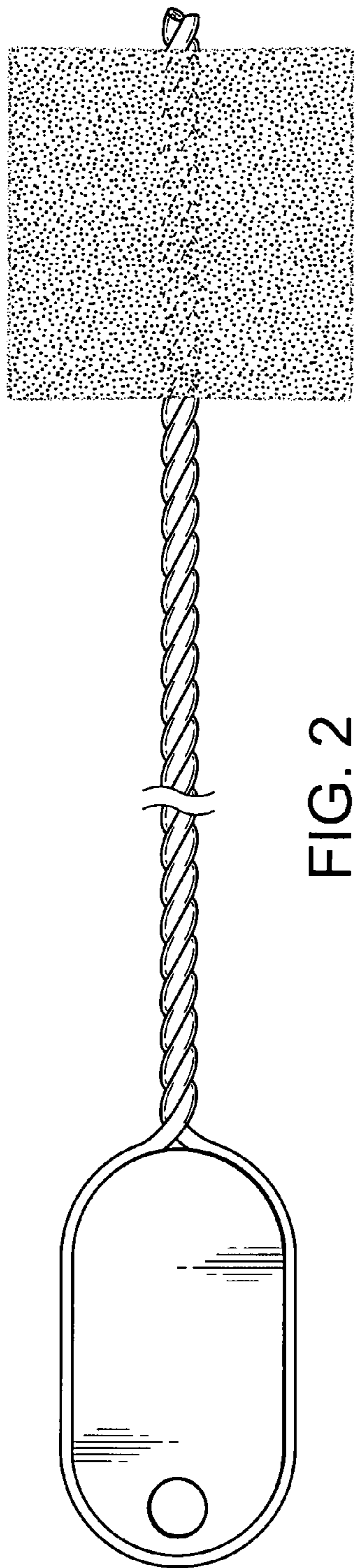


FIG. 2

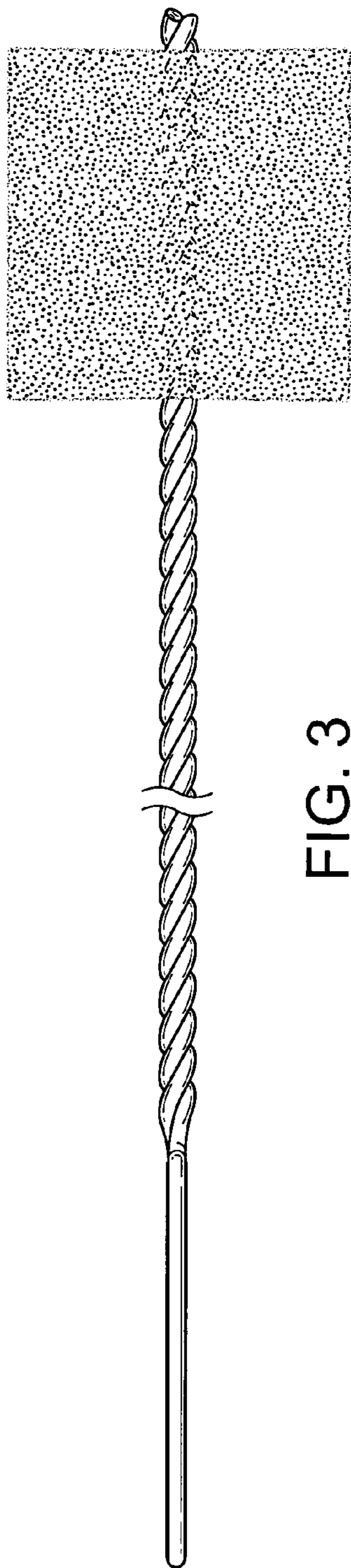


FIG. 3

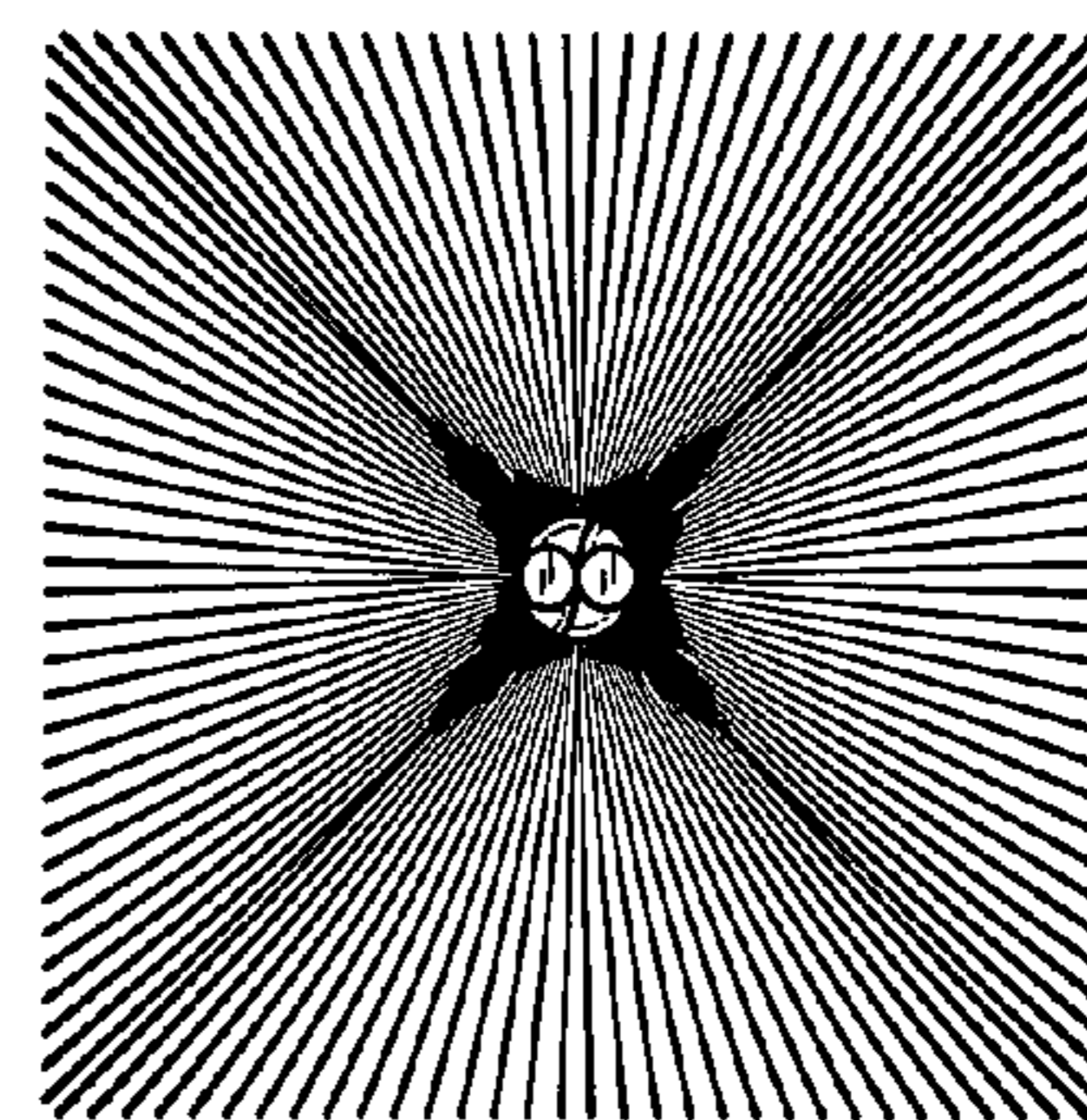


FIG. 5

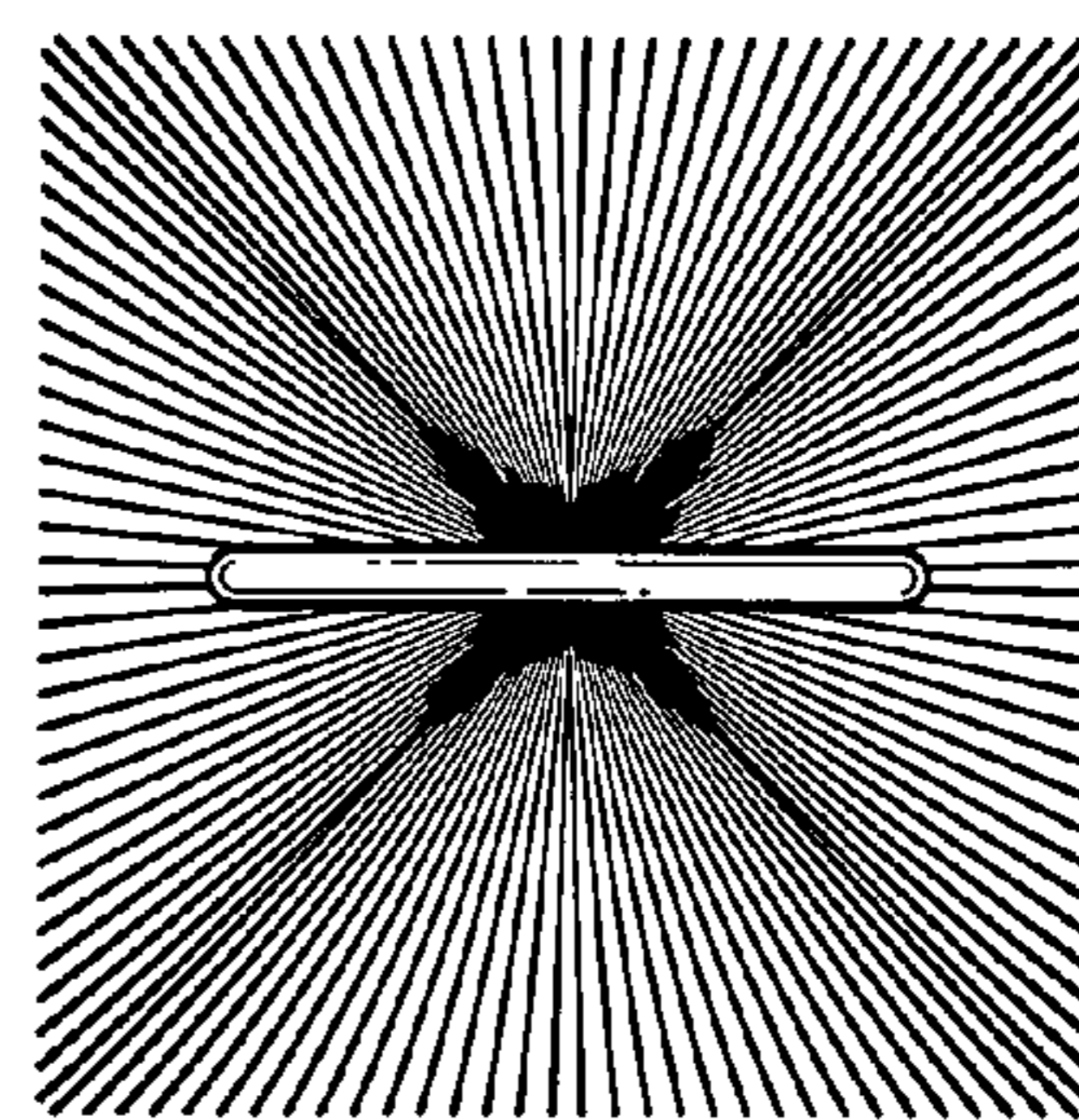


FIG. 4